



Features

- Compact
- Lightweight
- Long life
- Infinite resolution
- Free shaft rotation
- AC or DC
- Shaft options available
- Flexible wire leads
- Economical
- RoHS compliant*

3048 Linear Motion Potentiometer

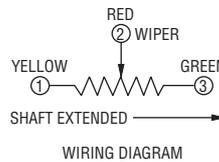
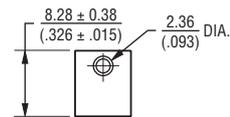
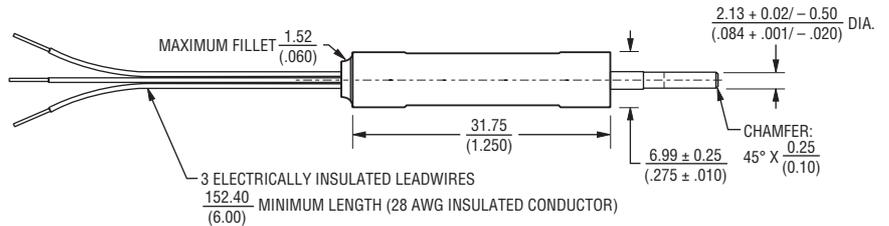
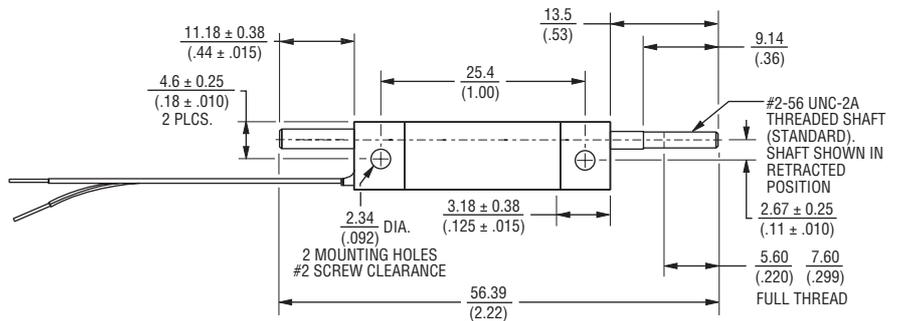
Specifications†

Standard Electrical Travel0.2, 0.3, 0.4, 0.5 in. (5.08, 7.62, 10.16, 12.70 mm)
Standard Resistances1K ohms to 50K ohms (± 20 %)
Independent Linearity± 5 %
ResolutionInfinite
Power Rating @ 70 °C (158 °F)	
Range 2, 30.12 watt
Range 4, 50.25 watt
Operating Temperature Range-55 °C to +125 °C
Temperature Coefficient1000 PPM/°C
Insulation Resistance50 megohms @ 500 VDC
BacklashNegligible
Shaft Actuating Force4 oz. max. @ 70 °F
Life500,000 cycles
Shock50 G for 7 msec
Vibration20 G, 10-2 kHz
MarkingManufacturer's trademark, resistance code, wiring diagram, date code, manufacturer's model number and style

Specifications are typical. Contact factory for special requirements.

† Specifications applicable from 5 % to 95 % of electrical travel.

Product Dimensions



TOLERANCES: ± .010 (0.25) EXCEPT WHERE NOTED

DIMENSIONS ARE: $\frac{\text{MM}}{\text{(INCHES)}}$

How to Order

Model	3048 L - 2 - 502
Style	
Range (Travel)	
2 = 0.2" (5.08 mm)	
3 = 0.3" (7.62 mm)	
4 = 0.4" (10.16 mm)	
5 = 0.5" (12.70 mm)	
Resistance Value	

Standard Resistance Table

Resistance (Ohms)	Resistance Code
1,000	102
2,500	252
5,000	502
10,000	103
20,000	203
50,000	503