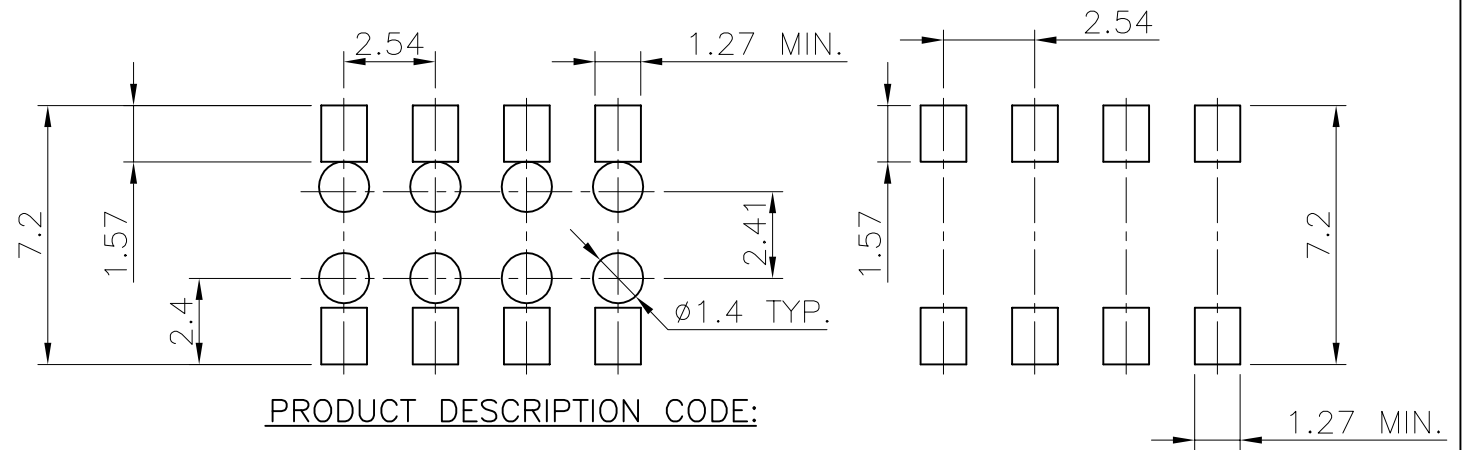


PRODUCT NB	DIM"C"	DIM"D"	CAP	TAPE	TUBE	AVAILABILITY
95290-YXX(LF)	SEE SHEET 213 2/2		NO	NO	YES	SEE SHEET 213 2/2
95290-YXXA(LF)			YES	YES	NO	SEE SHEET 213 2/2
95290-YXXB(LF)			YES	NO	YES	SEE SHEET 213 2/2
95290-YXXK(LF)			NO	YES	NO	SEE SHEET 213 2/2



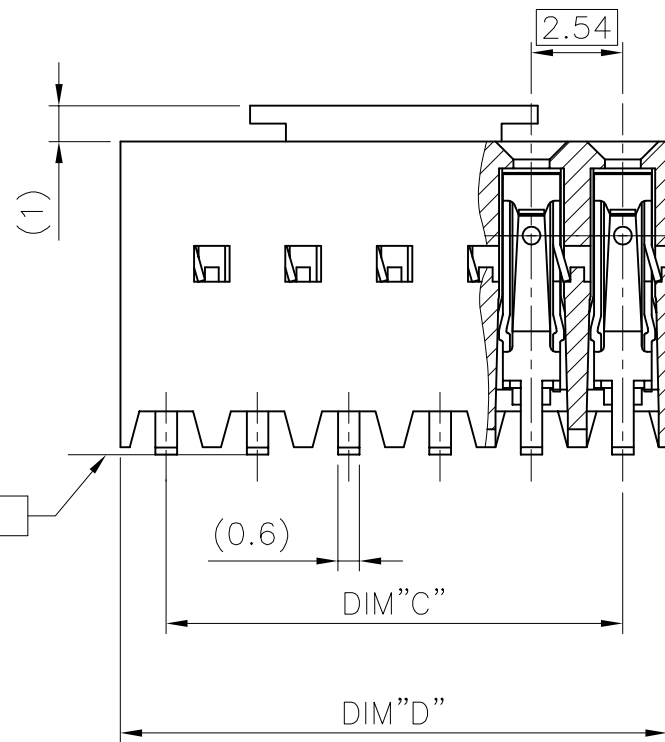
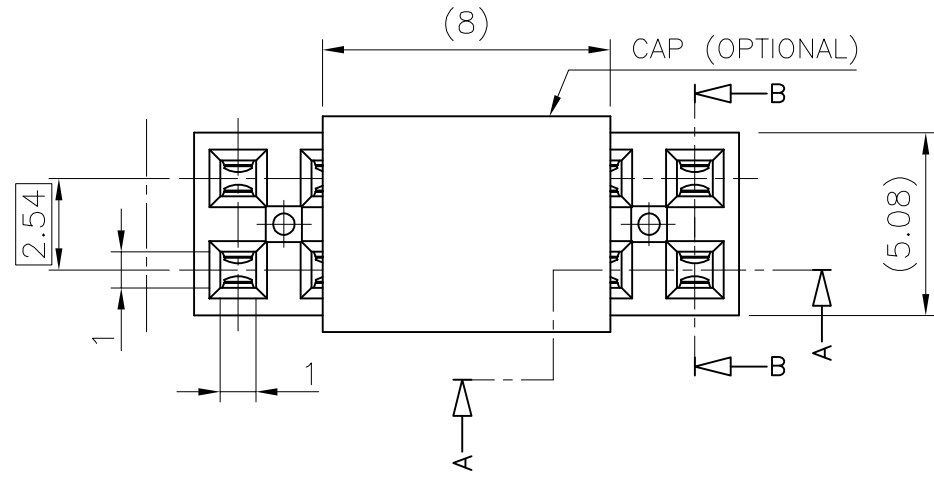
PRODUCT DESCRIPTION CODE:

95290-YXXZLF

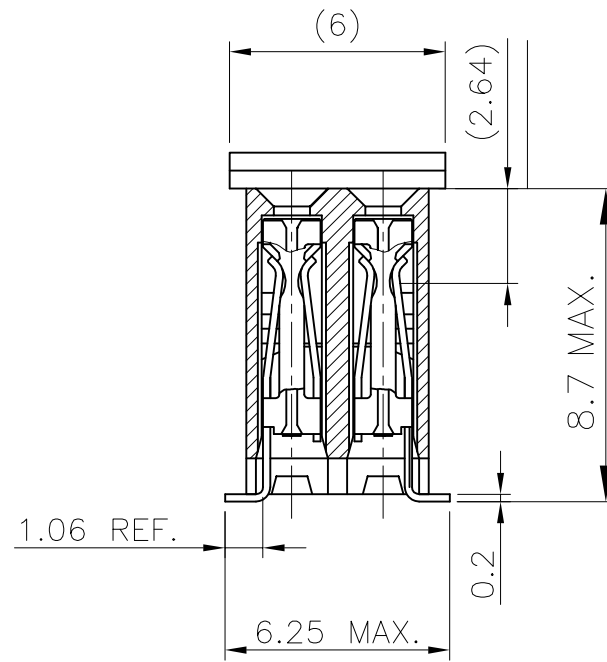
WHEN NEEDED, SUFFIX LETTER "LF" INDICATES THE PRODUCT IS RoHS COMPATIBLE, SEE NOTE 7 SHEET 2  
 OPTION LETTER (SEE TABLE & SHEET 2)  
 NUMBER OF POSITIONS  
 PLATING CODE  
 WHEN SUFFIX "LF" IS REQUIRED, 2µm MIN MATTE TIN OVER 1.27 MIN Ni IS SUPPLIED INSTEAD OF SnPb.

NOTES:

- MATERIAL HOUSING: PCT HIGH TEMPERATURE, 30% GLASS FILLED COLOUR GREY, FLAME RETARDANT, PER UL-94 CATEGORY V0.
- MATERIAL TERMINAL: PHOSPHOR BRONZE EXTRA HARD
- POSSIBILITY TO SUPPLY PRODUCT WITH CAP.
- SOLDERING RECOMMENDATIONS:  
 SOLDER PASTE: 60Sn/38Pb/2Ag.  
 SOLDER PASTE THICKNESS, 0.25 TO 0.4.
- RECOMMENDED IR PROFILE PER TA842.



SECTION A-A



SECTION B-B

95290-4XX(Z)LF	5 µm Sn	Sn
95290-3XX(Z)LF	0.76 µm GOLD	Sn
95290-4XX(Z)	5 µm SnPb	SnPb
95290-3XX(Z)	0.76 µm GOLD	SnPb
PLATING CODE	CONTACT AREA	SOLDER TAIL
	PLATING THICKNESS OVER 1.27µm Ni	

mat'l. code		surface		tolerance		projection		product family	
SEE NOTES		ISO 1302	ISO 406	ISO 1101	mm		DX VCC DR		
ltr	ecn no	dr	date	tolerances unless otherwise specified		mm		title	
H	F05-0239	DLE	05.08.30	angles	linear	±0.3		BtB RECEIPT.	
J	F06-0204	DLE	06.06.28	±2'		scale 1/5		VERT DR SMT 8.5 mm	
K	F07-0271	LMU	07.12.06					sheet 1 of 2	
E	F10730	PNZ	01.12.13	dr	D.LEGRAND	97.01.13	size		
F	F03026	GSA	03.02.03	enr	P.NIZZI	97.01.13	95290		
G	F04-0347	DLE	04.11.16	chr	D.LEGRAND	97.01.13	A3		
sheet index		revision	K	F			type		
1		sheet	1	2			CUSTOMER Drawing		

FCI CONFIDENTIAL

This document is the property of and embodies CONFIDENTIAL and PROPRIETARY information of FCI. No part of the information shown on this document may be used in any way or disclosed to others without the written consent of FCI. Copyright FCI.



FCIconnect.com

PRODUCT NUMBER	NUMBER OF POS.	DIM"C"	DIM"D"
95290-Y03(Z)(LF)	2 x 03	5.08	7.54
95290-Y05(Z)(LF)	2 x 05	10.16	12.62
95290-Y06(Z)(LF)	2 x 06	12.70	15.16
95290-Y22(B)(LF)	2 x 22	53.34	55.80

- 6 - OTHERS POSITIONS, ON SPECIAL REQUEST.
- 7 - RoHS COMPATIBLE PRODUCT SPECIFICATIONS

- a - PLATING:
  - "LF" MEANS THE PRODUCT IS LEAD-FREE, 2µm MINIMUM MATTE TIN OVER 1.27µm MINIMUM NICKEL UNDERPLATE.
- b - MANUFACTURING PROCESS COMPATIBILITY
  - THE HOUSING WILL WITHSTAND EXPOSURE TO 260°C PEAK TEMPERATURE FOR 30 SECONDS MAX IN A CONVECTION, INFRA-RED OR VAPOR PHASE OR REFLOW OVEN.
- c - LABELING:
  - MEETS PACKAGING SPECS AS PER GS-14-920
- d - LEGAL STATEMENT: SEE GS-22-008

mat'l. code		surface		tolerance		projection		product family		
SEE NOTES		ISO 1302 ✓		ISO 406 ISO 101				DX VCC DR		
ltr	ecn no	dr	date	tolerances unless otherwise specified		mm		title		
E	F04-0347	DLE	04.11.16	angles	.0±.x	← mm →		BtB RECEIPT		
F	F06-0204	DLE	06.06.28	linear	.00±.0x	scale N/A		VERT DR SMT 8.5mm		
				0'±x'	.000±.00x					
		dr	D LEGRAND		97.01.13			dwg no		
		enr	P NIZZI		97.01.03			sheet 2 of -		size
		chr	P NIZZI		97.01.03			95290		A3
		appd	P NZ		97.01.03			type		INSPECTION Drawing
sheet index	revision sheet									