

# BTS 6123B

Smart High-Side Power Switch

PROFET

One Channel, 10 mΩ

Automotive Power



Never stop thinking.

|   |     |
|---|-----|
| <b>1 Overview</b>   | .5  |
| 1.1 Block Diagram   | .5  |
| 1.2 Terms   | .6  |
| <b>2 Pin Configuration</b>                                | .7  |
| 2.1 Pin Assignment BTS 6123B                              | .7  |
| 2.2 Pin Definitions and Functions                         | .7  |
| <b>3 Electrical Characteristics</b>                       | .8  |
| 3.1 Maximum Ratings                                       | .8  |
| <b>4 Block Description and Electrical Characteristics</b> | .10 |
| 4.1 Power Stages  | .10 |
| 4.1.1 Input Circuit                                       | 10  |
| 4.1.2 Output On-State Resistance                          | 11  |
| 4.1.3 Output Inductive Clamp                              | 12  |
| 4.1.4 Electrical Characteristics                          | 15  |
| 4.2 Protection Functions                                  | .17 |
| 4.2.1 Over-Load Protection                                | 17  |
| 4.2.2 Short circuit impedance                             | 18  |
| 4.2.3 Reverse Polarity Protection - Reversave™            | 18  |
| 4.2.4 Over-Voltage Protection                             | 20  |
| 4.2.5 Loss of Ground Protection                           | 20  |
| 4.2.6 Loss of V <sub>bb</sub> Protection                  | 20  |
| 4.2.7 Electrical Characteristics                          | 21  |
| 4.3 Diagnosis   | .23 |
| 4.3.1 Electrical Characteristics                          | 26  |
| <b>5 Package Outlines BTS 6123B</b>                       | .27 |
| <b>6 Revision History</b>                                 | .28 |

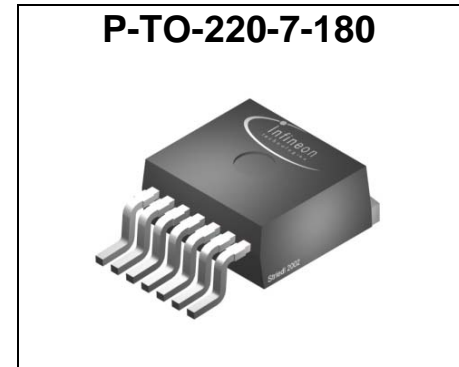
## Smart High-Side Power Switch PROFET

**BTS 6123B**

### Product Summary

The BTS 6123B is a one channel high-side power switch in P-TO-220-7-180 package providing embedded protective functions including ReverSave™.

The power transistor is built by a N-channel vertical power MOSFET with charge pump. The design is based on Smart SIPMOS chip on chip technology.



|   |               |               |
|---|---------------|---------------|
| Operating voltage                           | $V_{bb(ON)}$  | 5.5 .. 24 V   |
| Over-voltage protection                     | $V_{ON(CL)}$  | 39 V          |
| On-State resistance                         | $R_{DS(ON)}$  | 10 m $\Omega$ |
| Nominal load current                        | $I_{L(nom)}$  | 9 A           |
| Load current (ISO)                          | $I_{L(ISO)}$  | 33 A          |
| Current limitation                          | $I_{L6(SC)}$  | 55 A          |
| Stand-by current for whole device with load | $I_{bb(OFF)}$ | 6 $\mu$ A     |

### Basic Features

- Very low standby current
- Current controlled input pin
- Improved electromagnetic compatibility (EMC)
- Fast demagnetization of inductive loads

| Type      | Ordering Code | Package        |
|-----------|---------------|----------------|
| BTS 6123B | SP000092062   | P-TO-220-7-180 |

## **Protective Functions**

- Reversave™, channel switches on in case of reverse polarity
- Reverse battery protection without external components
- Short circuit protection with latch
- Over-load protection
- Multi-step current limitation
- Thermal shutdown with restart
- Over-voltage protection (including load dump)
- Loss of ground protection
- Loss of  $V_{bb}$  protection (with external diode for charged inductive loads)
- Electrostatic discharge protection (ESD)

## **Diagnostic Functions**

- Proportional load current sense (with defined fault signal in case of overload operation, over temperature shutdown and/or short circuit shutdown)
- Open load detection in ON-state by load current sense

## **Applications**

- $\mu$ C compatible high-side power switch with diagnostic feedback for 12 V grounded loads
- All types of resistive, inductive and capacitive loads
- Most suitable for loads with high inrush currents, so as lamps
- Replaces electromechanical relays, fuses and discrete circuits

# 1 Overview

The BTS 6123B is a one channel high-side power switch (10 mΩ) in P-TO-220-7-180 power package providing embedded protective functions including ReverSave™.

ReverSave™ is a protection feature that causes the power transistors to switch on in case of reverse polarity. As a result, the power dissipation is reduced.

The BTS 6123B has a current controlled input and offers a diagnostic feedback with load current sense. The design is based on Smart SIPMOS chip on chip technology.

## 1.1 Block Diagram

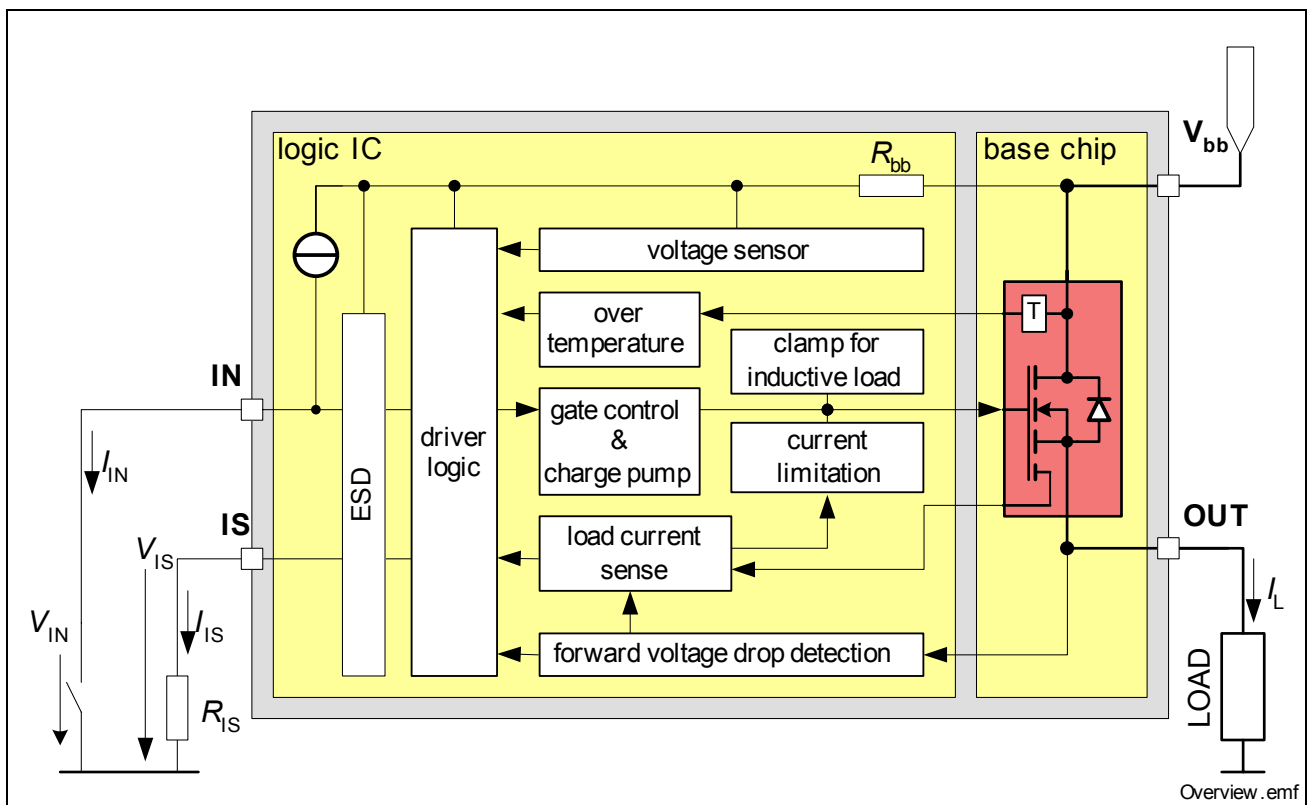
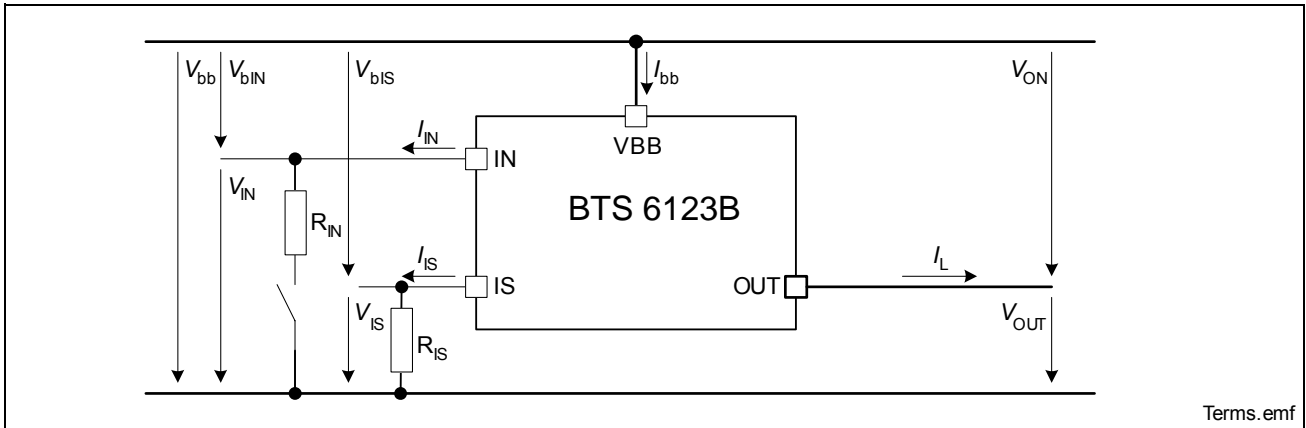


Figure 1 Block Diagram

## 1.2 Terms

Following figure shows all terms used in this data sheet.

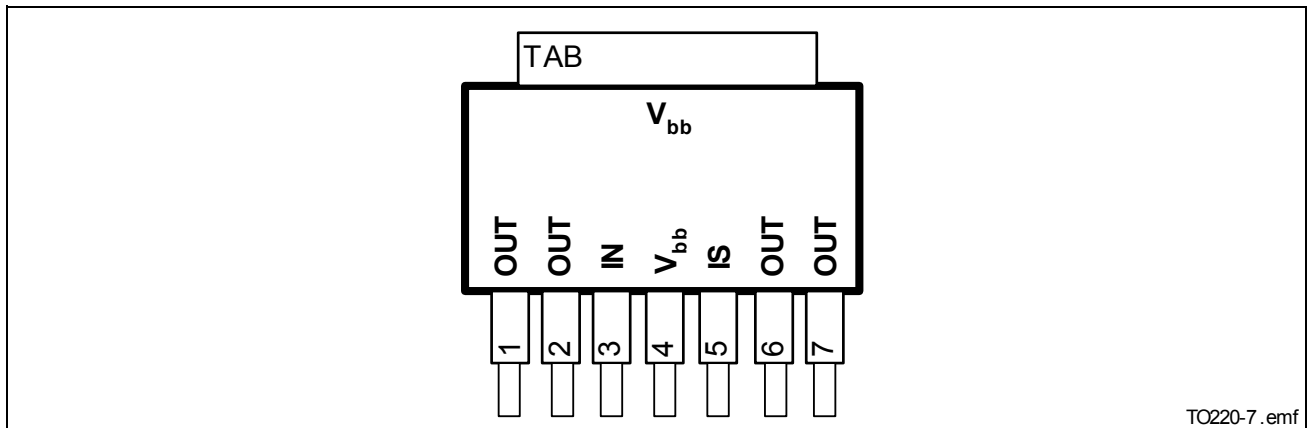


Terms.emf

Figure 2 Terms

## 2 Pin Configuration

### 2.1 Pin Assignment BTS 6123B



TC220-7.emf

Figure 3 Pin Configuration P-TO-220-7-180

### 2.2 Pin Definitions and Functions

| Pin    | Symbol   | I/O | Function   |
|--------|----------|-----|--|
| 1      | OUT      | O   | <b>Output;</b> output to the load; pin 1, 2, 6 and 7 must be externally shorted. <sup>1)</sup>   |
| 2      | OUT      | O   | <b>Output;</b> output to the load; pin 1, 2, 6 and 7 must be externally shorted. <sup>1)</sup>   |
| 3      | IN       | I   | <b>Input;</b> activates the power switch if shorted to ground.   |
| 4, Tab | $V_{bb}$ | -   | <b>Supply Voltage;</b> positive power supply voltage; tab and pin 4 are internally shorted.  |
| 5      | IS       | O   | <b>Sense Output;</b> Diagnostic feedback; provides at normal operation a sense current proportional to the load current; in case of overload, over temperature and/or short circuit a defined current is provided (see <a href="#">Table 1 "Truth Table" on Page 23</a> ). |
| 6      | OUT      | O   | <b>Output;</b> output to the load; pin 1, 2, 6 and 7 must be externally shorted. <sup>1)</sup>   |
| 7      | OUT      | O   | <b>Output;</b> output to the load; pin 1, 2, 6 and 7 must be externally shorted. <sup>1)</sup>   |

<sup>1)</sup> Not shorting all outputs will considerably increase the on-state resistance, reduce the peak current capability, the clamping capability and decrease the current sense accuracy.

### 3 Electrical Characteristics

#### 3.1 Maximum Ratings

Stresses above the ones listed here may cause permanent damage to the device. Exposure to maximum rating conditions for extended periods may affect device reliability.

$T_j = 25\text{ °C}$  (unless otherwise specified)

| Pos. | Parameter | Symbol | Limit Values |      | Unit | Test Conditions |
|------|-----------|--------|--------------|------|------|-----------------|
|      |           |        | min.         | max. |      |                 |

#### Supply Voltage

|       |   |              |     |    |   |  |
|-------|---|--------------|-----|----|---|--|
| 3.1.1 | Supply voltage  | $V_{bb}$     | -16 | 38 | V | -  |
| 3.1.2 | Supply voltage for full short circuit protection (single pulse) ( $T_j = -40\text{ °C} \dots 150\text{ °C}$ ) <sup>1)</sup> | $V_{bb(SC)}$ | 0   | 24 | V | -  |
| 3.1.3 | Supply Voltage for Load Dump protection <sup>2)</sup>   | $V_{bb(LD)}$ | -   | 45 | V | $R_I = 2\ \Omega$<br>$R_L = 1.5\ \Omega$ |

#### Logic Pins

|       |                                       |               |      |    |            |   |
|-------|---------------------------------------|---------------|------|----|------------|---|
| 3.1.4 | Voltage at input pin                  | $V_{b,IN}$    | -16  | 63 | V          | - |
| 3.1.5 | Current through input pin             | $I_{IN}$      | -140 | 15 | mA         | - |
| 3.1.6 | Voltage at current sense pin          | $V_{b,IS}$    | -16  | 56 | V          | - |
| 3.1.7 | Current through sense pin             | $I_{IS}$      | -140 | 15 | mA         | - |
| 3.1.8 | Input voltage slew rate <sup>3)</sup> | $dV_{bIN}/dt$ | -20  | 20 | V/ $\mu$ s | - |

#### Power Stages

|        |   |           |   |              |   |  |
|--------|---|-----------|---|--------------|---|--|
| 3.1.9  | Load current <sup>4)</sup>                    | $I_L$     | - | $I_{Lx(SC)}$ | A | -  |
| 3.1.10 | Maximum energy dissipation (single pulse)     | $E_{AS}$  | - | 0.3          | J | $I_{L(0)} = 20\text{ A}$<br>$T_{j(0)} = 150\text{ °C}$ |
| 3.1.11 | Total power dissipation (DC) for whole device | $P_{tot}$ | - | 65           | W | $T_C = 85\text{ °C}$<br>$T_j \leq 150\text{ °C}$       |

#### Temperatures

|        |                      |           |     |     |    |   |
|--------|----------------------|-----------|-----|-----|----|---|
| 3.1.12 | Junction temperature | $T_j$     | -40 | 150 | °C | - |
| 3.1.13 | Storage temperature  | $T_{stg}$ | -55 | 150 | °C | - |



**Electrical Characteristics**

$T_j = 25\text{ °C}$  (unless otherwise specified)

| Pos. | Parameter | Symbol | Limit Values |      | Unit | Test Conditions |
|------|-----------|--------|--------------|------|------|-----------------|
|      |           |        | min.         | max. |      |                 |

**ESD Susceptibility**

|        |                        |           |    |   |    |                                 |
|--------|------------------------|-----------|----|---|----|---------------------------------|
| 3.1.14 | ESD susceptibility HBM | $V_{ESD}$ | -3 | 3 | kV | according to EIA/JESD 22-A 114B |
|--------|------------------------|-----------|----|---|----|---------------------------------|

- 1) Short circuit is defined as a combination of remaining resistances and inductances. See [Figure 13](#).
- 2) Load Dump is specified in ISO 7637,  $R_l$  is the internal resistance of the Load Dump pulse generator
- 3) Slew rate limitation can be achieved by means of using a series resistor for the small signal driver or in series in the input path. A series resistor  $R_{IN}$  in the input path is also required for reverse operation at  $V_{bb} \leq -16V$ . See also [Figure 14](#).
- 4) Current limitation is a protection feature. Operation in current limitation is considered as “outside” normal operating range. Protection features are not designed for continuous repetitive operation.

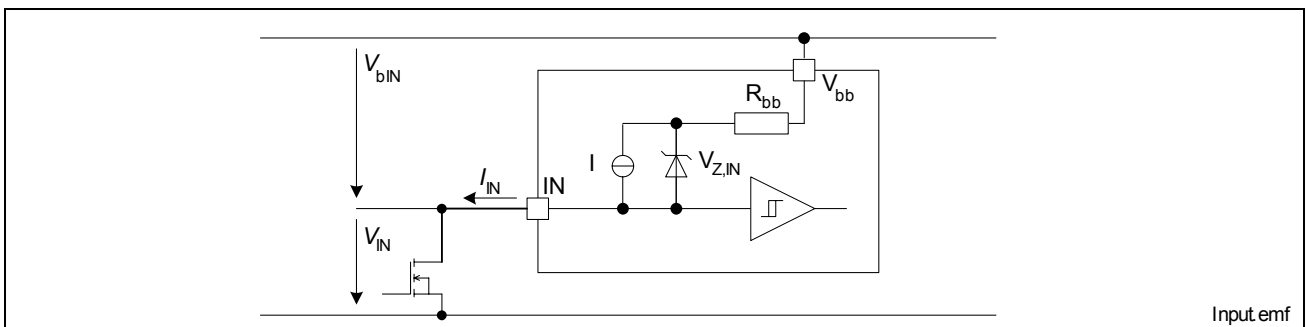
## 4 Block Description and Electrical Characteristics

### 4.1 Power Stages

The power stage is built by a N-channel vertical power MOSFET (DMOS) with charge pump.

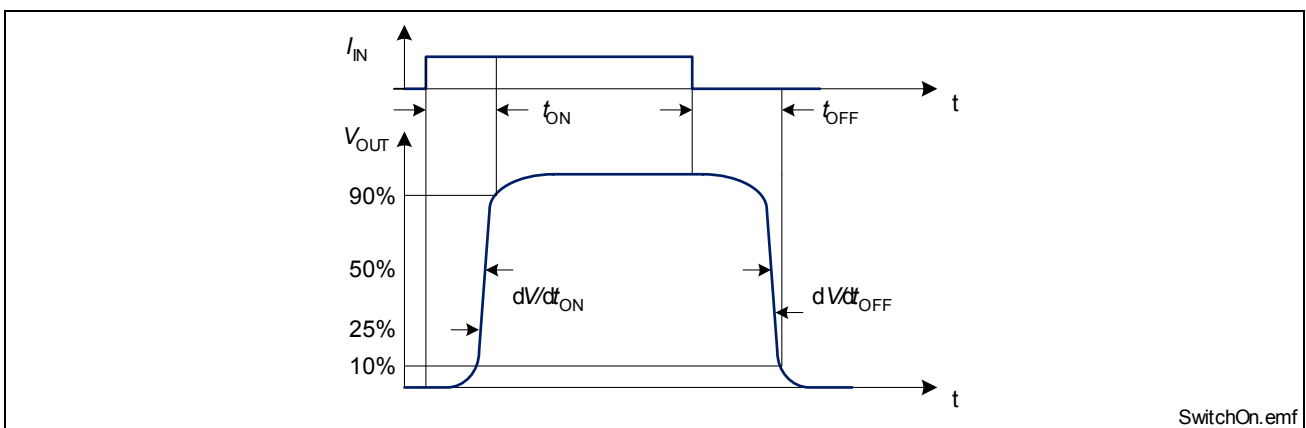
#### 4.1.1 Input Circuit

**Figure 4** shows the input circuit of the BTS 6123B. The current source to  $V_{bb}$  ensures that the device switches off in case of open input pin. The zener diode protects the input circuit against ESD pulses.



**Figure 4** Input Circuit

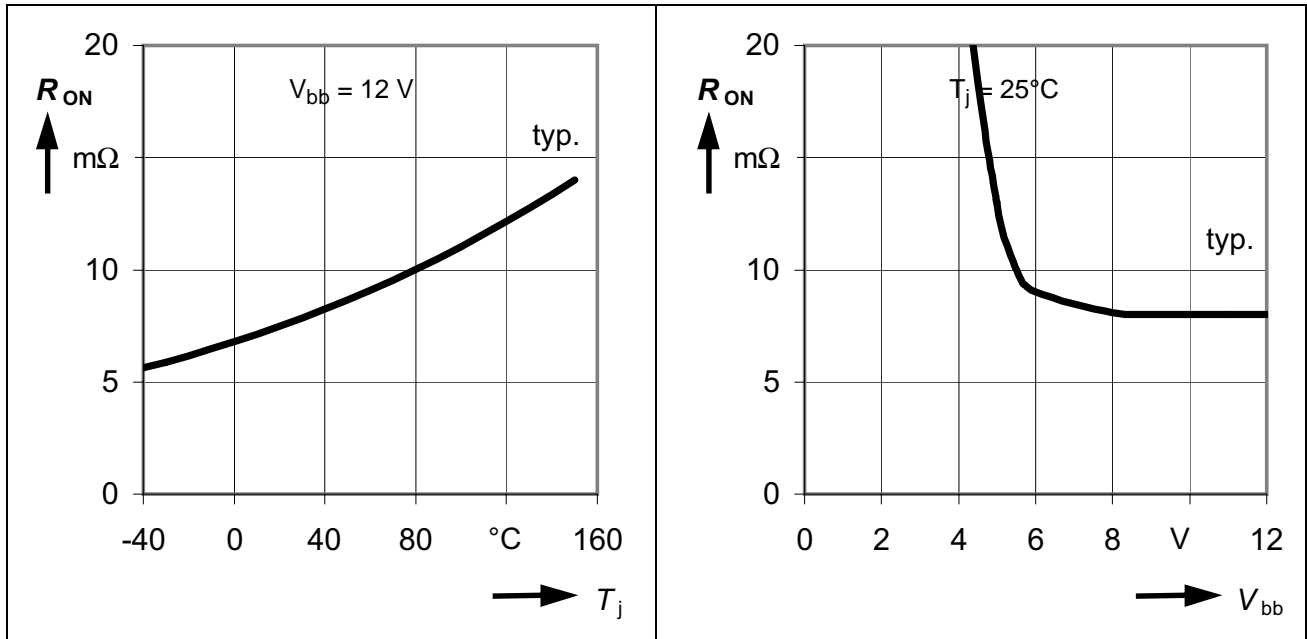
A high signal at the required external small signal transistor pulls the input pin to ground. A logic supply current  $I_{IN}$  is flowing and the power DMOS switches on with a dedicated slope, which is optimized in terms of EMC emission.



**Figure 5** Switching a Load (resistive)

### 4.1.2 Output On-State Resistance

The on-state resistance  $R_{DS(ON)}$  depends on the supply voltage as well as the junction temperature  $T_j$ . **Figure 6** shows these dependencies for the typical on-state resistance. The on-state resistance in reverse polarity mode is described in **Section 4.2.3**.



**Figure 6** Typical On-State Resistance

At small load currents the resistance is artificially increased to improve current sense accuracy. Therefore the forward voltage drop  $V_{ON}$  at small load currents is no more proportional to the load current  $I_L$ , but is controlled by an internal “two level controller” to remain clamped to a defined value  $V_{ON(NL)}$ . **Figure 7** shows the dependency for a typical device.

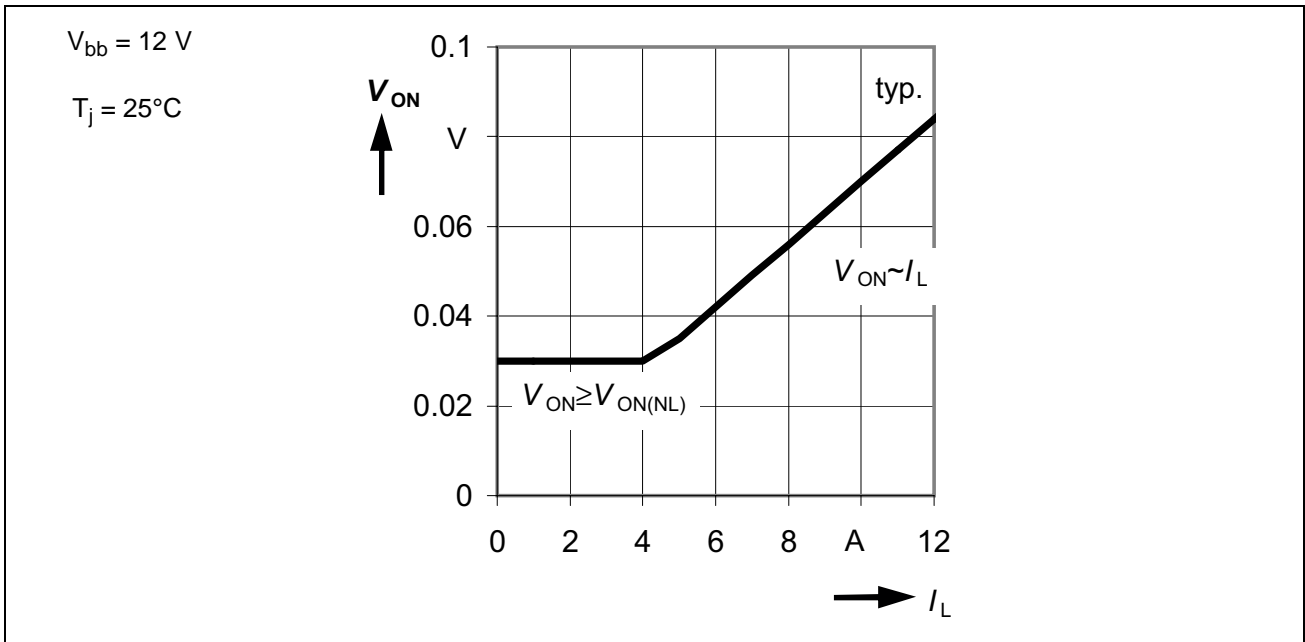


Figure 7 Typical Output Voltage Drop Limitation

### 4.1.3 Output Inductive Clamp

When switching off inductive loads, the output voltage  $V_{OUT}$  drops below ground potential due to the involved inductance ( $-di_L/dt = -v_L/L$ ;  $-V_{OUT} \cong -V_L$ ).

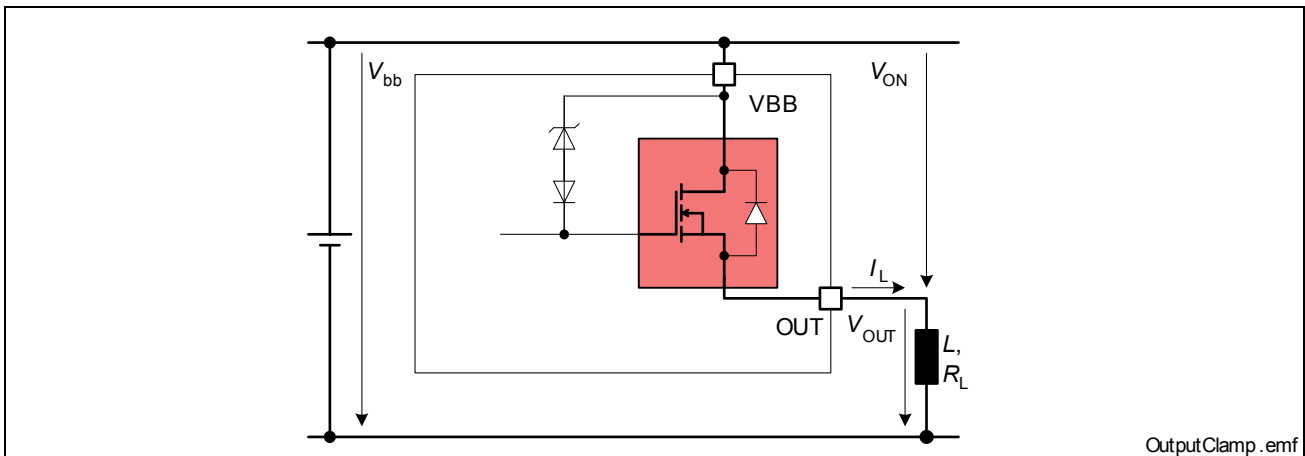
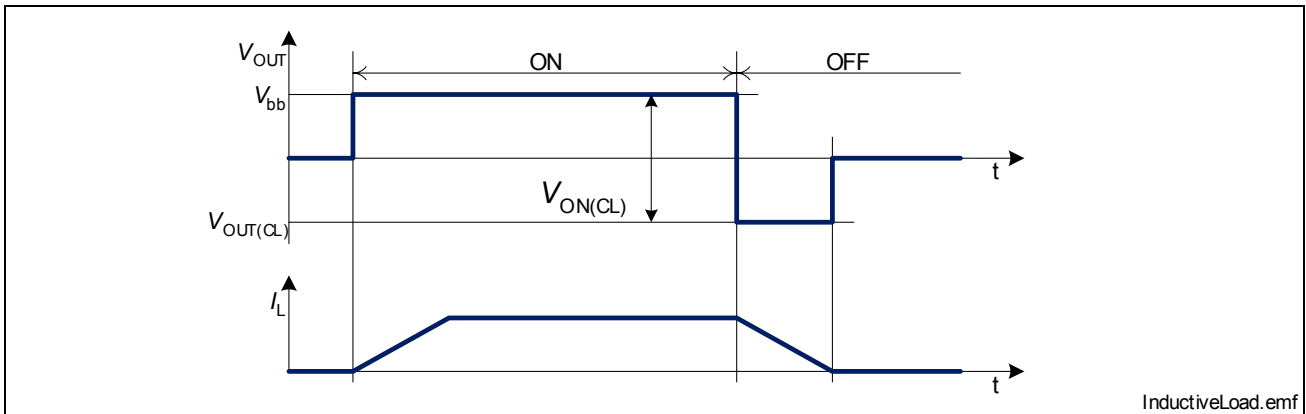


Figure 8 Output Clamp

To prevent destruction of the device, there is a voltage clamp mechanism implemented that keeps the voltage drop across the device at a certain level ( $V_{ON(CL)}$ ). See [Figure 8](#) and [Figure 9](#) for details. The maximum allowed load inductance is limited.



**Figure 9 Switching an Inductance**

### Maximum Load Inductance

While de-energizing inductive loads, energy has to be dissipated in the BTS 6123B. This energy can be calculated via the following equation:

$$E = V_{ON(CL)} \cdot \left[ \frac{V_{bb} - |V_{ON(CL)}|}{R_L} \cdot \ln \left( 1 + \frac{R_L \cdot I_L}{|V_{ON(CL)}| - V_{bb}} \right) + I_L \right] \cdot \frac{L}{R_L}$$

In the event of de-energizing very low ohmic inductances ( $R_L \approx 0$ ) the following, simplified equation can be used:

$$E = \frac{1}{2} L I_L^2 \cdot \frac{|V_{ON(CL)}|}{|V_{ON(CL)}| - V_{bb}}$$

The energy, which is converted into heat, is limited by the thermal design of the component. For given starting currents the maximum allowed inductance is therefore limited. See [Figure 10](#) for the maximum allowed inductance at  $V_{bb}=12V$ .

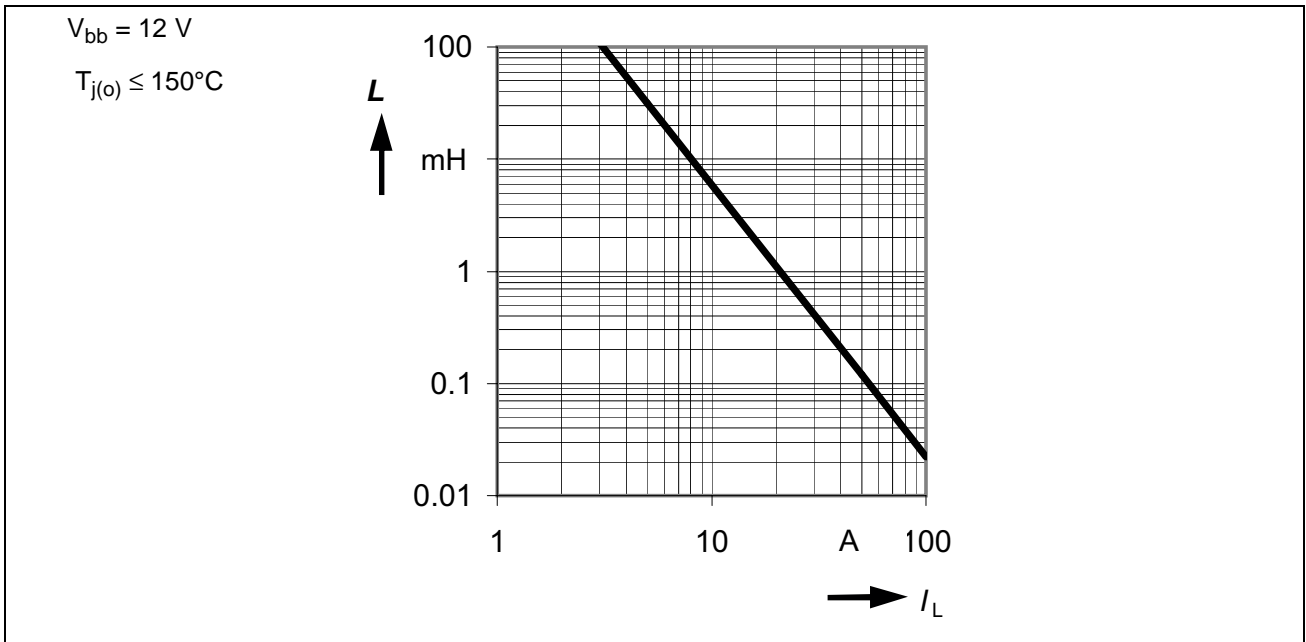


Figure 10 Maximum load inductance for single pulse,  $T_{j,Start} = 150^\circ\text{C}$

#### 4.1.4 Electrical Characteristics

 $V_{bb} = 12\text{ V}$ ,  $T_j = 25\text{ °C}$  (unless otherwise specified)

| Pos. | Parameter | Symbol | Limit Values |      |      | Unit | Test Conditions |
|------|-----------|--------|--------------|------|------|------|-----------------|
|      |           |        | min.         | typ. | max. |      |                 |

##### General

|       |   |               |     |     |     |               |   |
|-------|---|---------------|-----|-----|-----|---------------|---|
| 4.1.1 | Operating voltage   | $V_{bb}$      | 5.5 | -   | 38  | V             | $V_{IN} = 0\text{ V}$<br>$T_j = -40..150\text{ °C}$ |
| 4.1.2 | Undervoltage shutdown <sup>1)</sup>   | $V_{bIN(u)}$  | -   | 2.5 | 3.5 | V             | -   |
| 4.1.3 | Undervoltage restart of charge pump   | $V_{bb(ucp)}$ | -   | 4   | 5.5 | V             | -   |
| 4.1.4 | Operating current   | $I_{IN}$      | -   | 1.4 | 2.2 | mA            | $T_j = -40..150\text{ °C}$                          |
| 4.1.5 | Stand-by current<br>$T_j = -40\text{ °C}$ , $T_j = 25\text{ °C}$<br>$T_j \leq 120\text{ °C}$ <sup>1)</sup><br>$T_j = 150\text{ °C}$ | $I_{bb(OFF)}$ | -   | 3   | 6   | $\mu\text{A}$ | $I_{IN} = 0\text{ A}$                               |
|       |   |               | -   | 4   | 8   |               |   |
|       |   |               | -   | 10  | 18  |               |   |

##### Input characteristics

|       |                       |               |   |     |     |               |  |
|-------|-----------------------|---------------|---|-----|-----|---------------|--|
| 4.1.6 | Input current for on  | $I_{IN(on)}$  | - | 1.4 | 2.2 | mA            | $V_{bIN} \geq V_{bb(ucp)} - V_{IN}$ ,<br>$T_j = -40 \dots 150\text{ °C}$ |
| 4.1.7 | Input current for off | $I_{IN(off)}$ | - | -   | 30  | $\mu\text{A}$ | $T_j = -40 \dots 150\text{ °C}$  |

##### Output characteristics

|        |   |              |    |    |    |            |  |
|--------|---|--------------|----|----|----|------------|--|
| 4.1.8  | On-state resistance<br>$T_j = 25\text{ °C}$<br>$T_j = 150\text{ °C}$<br>$V_{bb} = 5.5\text{ V}$ , $T_j = 25\text{ °C}$<br>$V_{bb} = 5.5\text{ V}$ , $T_j = 150\text{ °C}$ | $R_{DS(ON)}$ | -  | 8  | 10 | m $\Omega$ | $V_{IN} = 0\text{ V}$ , $I_L = 10\text{ A}$ ,<br>(Tab to pin 1, 2, 6 and 7)      |
|        |   |              | -  | 14 | 18 |            |  |
|        |   |              | -  | 10 | 14 |            |  |
|        |   |              | -  | 18 | 24 |            |  |
| 4.1.9  | Output voltage drop limitation at small load currents   | $V_{ON(NL)}$ | -  | 30 | 60 | mV         | $T_j = -40..150\text{ °C}$   |
| 4.1.10 | Nominal load current<br>(Tab to pin 1, 2, 6 & 7)<br><sup>2) 3)</sup>  | $I_{L(nom)}$ | 9  | 11 | -  | A          | $T_a = 85\text{ °C}$<br>$V_{ON} \leq 0.5\text{ V}$ ,<br>$T_j \leq 150\text{ °C}$ |
|        | ISO load current <sup>3)</sup><br>(Tab to pin 1, 2, 6 & 7)  | $I_{L(ISO)}$ | 33 | 45 | -  | A          | $T_c = 85\text{ °C}$<br>$V_{ON} \leq 0.5\text{ V}$ ,<br>$T_j \leq 150\text{ °C}$ |
| 4.1.11 | Output clamp  | $V_{ON(CL)}$ | 39 | 42 | -  | V          | $I_L = 40\text{ mA}$   |

$V_{bb} = 12\text{ V}$ ,  $T_j = 25\text{ °C}$  (unless otherwise specified)

| Pos.   | Parameter   | Symbol         | Limit Values |      |      | Unit | Test Conditions                                       |
|--------|---|----------------|--------------|------|------|------|---|
|        |   |                | min.         | typ. | max. |      |   |
| 4.1.12 | Inverse current output voltage drop <sup>1) 4)</sup><br>(Tab to pin 1, 2, 6 & 7)<br>$T_j = 25\text{ °C}$<br>$T_j = 150\text{ °C}$ | $-V_{ON(inv)}$ | -            | 950  | -    | mV   | $I_L = -10\text{ A}$ ,<br>$R_{IS} = 1\text{ k}\Omega$ |
|        |   |                | -            | 750  | -    |      |   |

### Timings

|        |   |                |   |     |      |                        |  |
|--------|---|----------------|---|-----|------|------------------------|--|
| 4.1.13 | Turn-on time to 90% $V_{bb}$  | $t_{ON}$       | - | 300 | 600  | $\mu\text{s}$          | $R_L = 2.2\ \Omega$ ,<br>$T_j = -40 \dots 150\text{ °C}$ |
| 4.1.14 | Turn-off time to 10% $V_{bb}$   | $t_{OFF}$      | - | 300 | 600  | $\mu\text{s}$          | $R_L = 2.2\ \Omega$ ,<br>$T_j = -40 \dots 150\text{ °C}$ |
| 4.1.15 | Turn-on delay after inverse operation <sup>1)</sup><br>$V_{IN(inv)} = V_{IN(fwd)} = 0\text{ V}$ | $t_{d(inv)}$   | - | 1   | -    | ms                     | $V_{bb} > V_{OUT}$                                       |
| 4.1.16 | Slew rate On 25% to 50% $V_{bb}$  | $dV/dt_{ON}$   | - | 0.2 | 0.35 | $\text{V}/\mu\text{s}$ | $R_L = 2.2\ \Omega$ ,<br>$T_j = -40 \dots 150\text{ °C}$ |
| 4.1.17 | Slew rate Off 50% to 25% $V_{bb}$   | $-dV/dt_{OFF}$ | - | 0.2 | 0.5  | $\text{V}/\mu\text{s}$ | $R_L = 2.2\ \Omega$ ,<br>$T_j = -40 \dots 150\text{ °C}$ |

### Thermal Resistance

|        |  |            |   |     |    |     |   |
|--------|--|------------|---|-----|----|-----|---|
| 4.1.18 | Junction to case <sup>1)</sup>   | $R_{thjc}$ | - | 0.8 | 1  | K/W | - |
| 4.1.19 | Junction to ambient <sup>1)</sup><br>free air<br>device on PCB <sup>2)</sup> | $R_{thja}$ | - | 80  | -  | K/W | - |
|        |  |            | - | 45  | 55 |     |   |

<sup>1)</sup> Not subject to production test, specified by design

<sup>2)</sup> Device mounted on PCB (50 mm x 50 mm x 1.5mm epoxy, FR4) with 6 cm<sup>2</sup> copper heatsinking area (one layer, 70  $\mu\text{m}$  thick) for  $V_{bb}$  connection. PCB is vertical without blown air.

<sup>3)</sup> Not subject to production test, parameters are calculated from  $R_{DS(ON)}$  and  $R_{th}$

<sup>4)</sup> Permanent Inverse operation results eventually in a current flow via the intrinsic diode of the power DMOS. In this case the device switches on with a time delay  $t_{d(inv)}$  after the transition from inverse to forward mode. A sense current  $I_{IS(fault)}$  can be provided by the pin IS until standard forward operation is reached.

*Note: Characteristics show the deviation of parameter at the given supply voltage and junction temperature. Typical values show the typical parameters expected from manufacturing.*

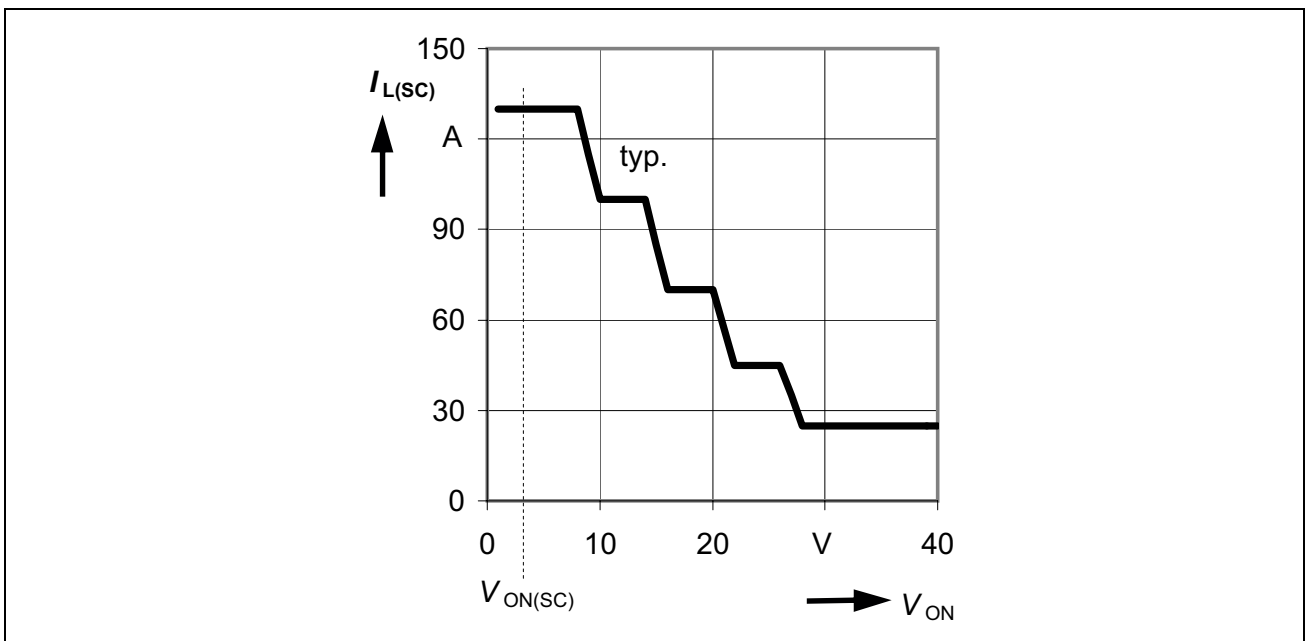


## 4.2 Protection Functions

The device provides embedded protective functions. Integrated protection functions are designed to prevent IC destruction under fault conditions described in the data sheet. Fault conditions are considered as “outside” normal operating range. Protection functions are neither designed for continuous nor repetitive operation.

### 4.2.1 Over-Load Protection

The load current  $I_L$  is limited by the device itself in case of over-load or short circuit to ground. There are multiple steps of current limitation  $I_{Lx(SC)}$  which are selected automatically depending on the voltage drop  $V_{ON}$  across the power DMOS. Please note that the voltage at the OUT pin is  $V_{bb} - V_{ON}$ . **Figure 11** shows the dependency for a typical device.



**Figure 11** Typical Current Limitation

Depending on the severity of the short condition as well as on the battery voltage the resulting voltage drop across the device varies.

Whenever the resulting voltage drop  $V_{ON}$  exceeds the short circuit detection threshold  $V_{ON(SC)}$ , the device will switch off immediately and latch until being reset via the input. The  $V_{ON(SC)}$  detection functionality is activated, when  $V_{bIN} > 10V$  typ. and the blanking time  $t_{d(SC1)}$  passed by after switch on.

In the event that either the short circuit detection via  $V_{ON(SC)}$  is not activated or that the on chip temperature sensor senses over-temperature before the blanking time  $t_{d(SC1)}$  passed by, the device switches off resulting from over-temperature detection. After cooling down with thermal hysteresis, the devices switches on again. Please refer to **Figure 12** for details.

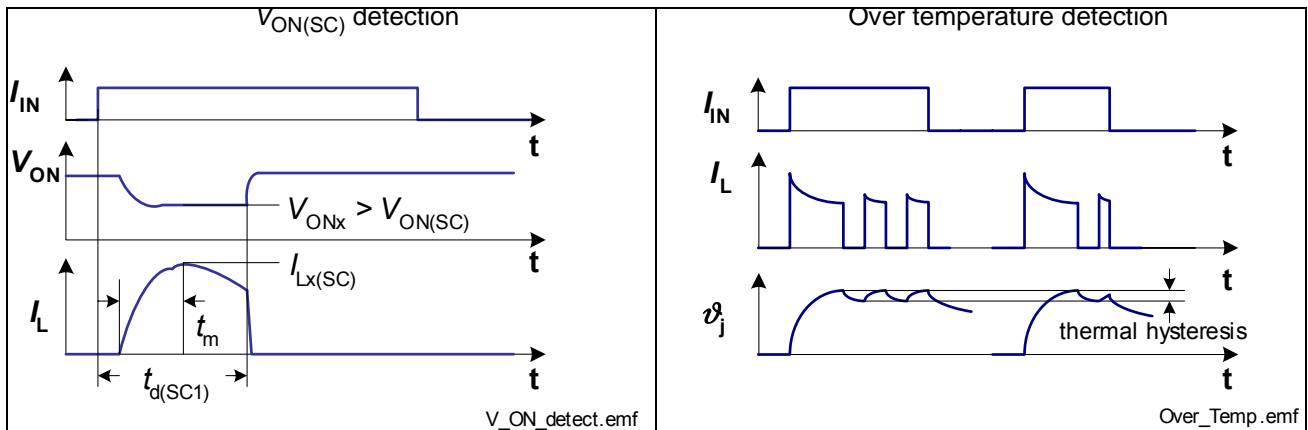


Figure 12 Overload Behavior

### 4.2.2 Short circuit impedance

The capability to handle single short circuit events depends on the battery voltage as well as on the primary and secondary short impedance. **Figure 13** outlines allowable combinations for a single short circuit event of maximum, secondary inductance for given secondary resistance.

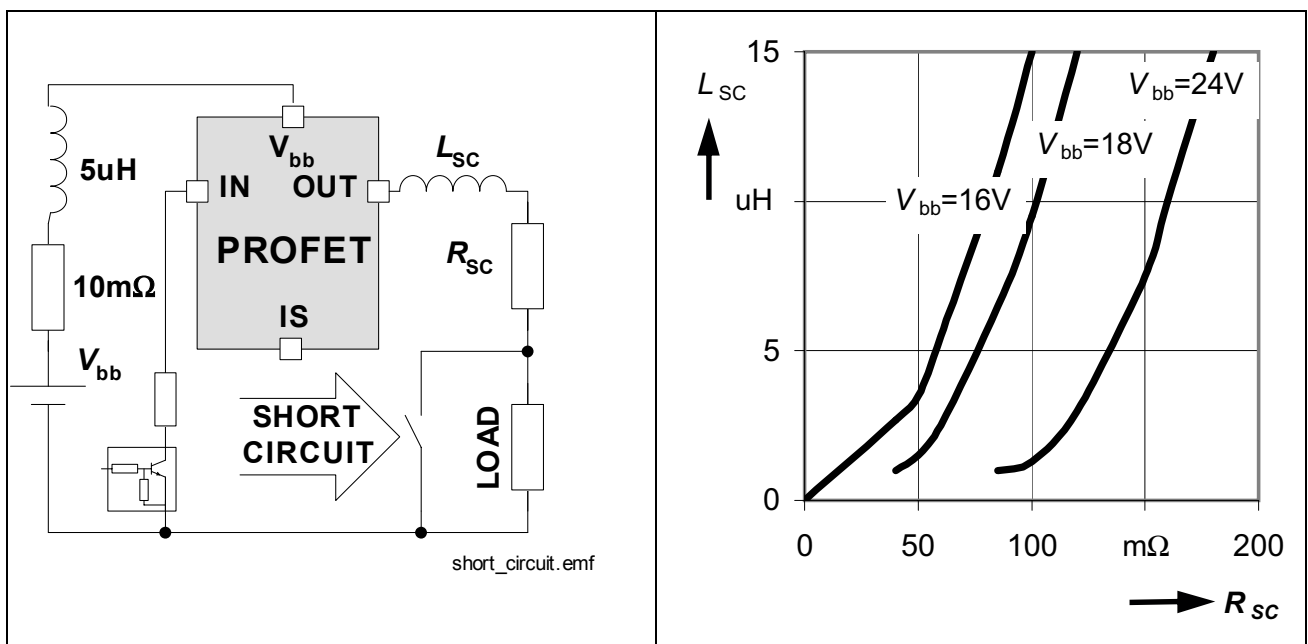
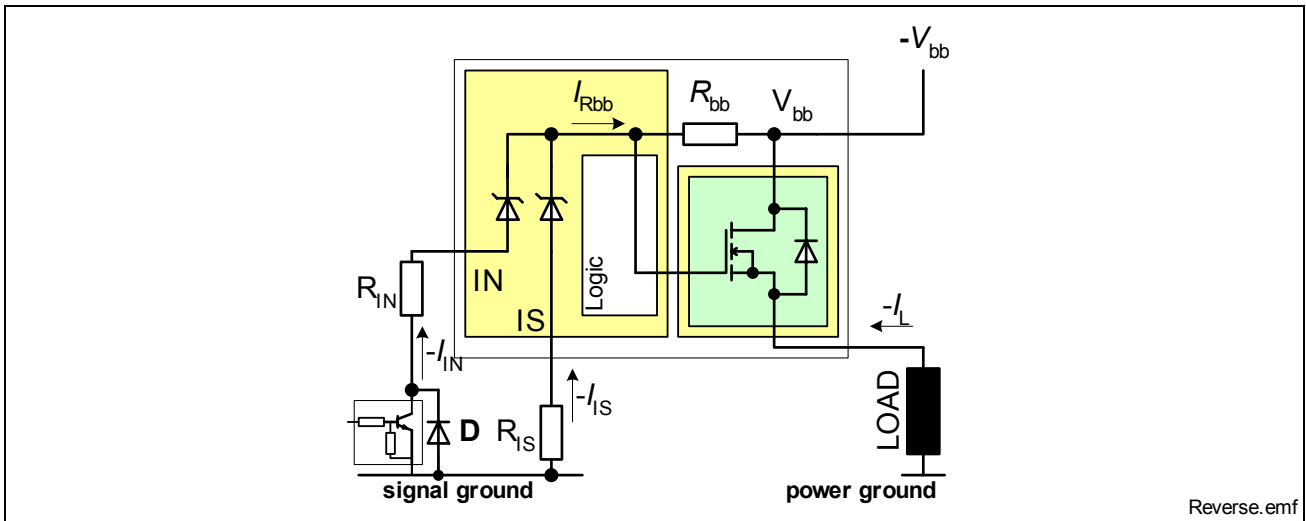


Figure 13 Short circuit

### 4.2.3 Reverse Polarity Protection - Reversave™

The device can not block a current flow in reverse battery condition. In order to minimize power dissipation, the device offers Reversave™ functionality. In reverse polarity condition the channel will be switched on provided a sufficient gate to source voltage is generated  $V_{GS} \approx V_{Rbb}$ . Please refer to **Figure 14** for details.



**Figure 14 Reverse battery protection**

Additional power is dissipated by the integrated  $R_{bb}$  resistor. Use following formula for estimation of overall power dissipation  $P_{diss(rev)}$  in reverse polarity mode.

$$P_{diss(rev)} \approx R_{ON(rev)} \cdot I_L^2 + R_{bb} \cdot I_{Rbb}^2$$

For reverse battery voltages up to  $V_{bb} < 16V$  the pin IN or the pin IS should be low ohmic connected to signal ground. This can be achieved e.g. by using a small signal diode D in parallel to the input switch or by using a small signal MOSFET driver. For reverse battery voltages higher then  $V_{bb} > 16V$  an additional resistor  $R_{IN}$  is recommended. For reverse battery voltages higher then  $V_{bb} > 16$  the overall current through  $R_{bb}$  should be about 80mA.

$$\frac{1}{R_{IN}} + \frac{1}{R_{bb}} = \frac{0,08A}{|V_{bb}| - 12V}$$

*Note: No protection mechanism is active during reverse polarity. The IC logic is not functional.*

#### 4.2.4 Over-Voltage Protection

Beside the output clamp for the power stage as described in [Section 4.1.3](#) there is a clamp mechanism implemented for all logic pins. See [Figure 15](#) for details.

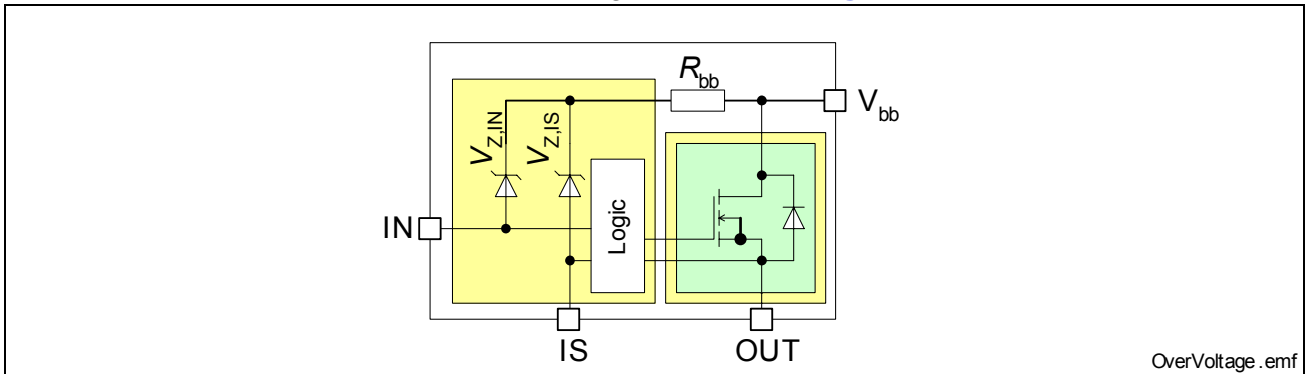


Figure 15 Over-Voltage Protection

#### 4.2.5 Loss of Ground Protection

In case of complete loss of the device ground connections the BTS 6123B securely changes to or remains in off state.

#### 4.2.6 Loss of $V_{bb}$ Protection

In case of complete loss of  $V_{bb}$  the BTS 6123B remains in off state.

In case of loss of  $V_{bb}$  connection with charged inductive loads a current path with load current capability has to be provided, to demagnetize the charged inductances. It is recommended to use a diode, a Z-diode, or a varistor ( $V_{ZL} + V_D < 39\text{ V}$  or  $V_{Zb} + V_D < 16\text{ V}$  if  $R_{IN} = 0$ ). For higher clamp voltages currents through IN and IS have to be limited to 120 mA. Please refer to [Figure 16](#) for details.

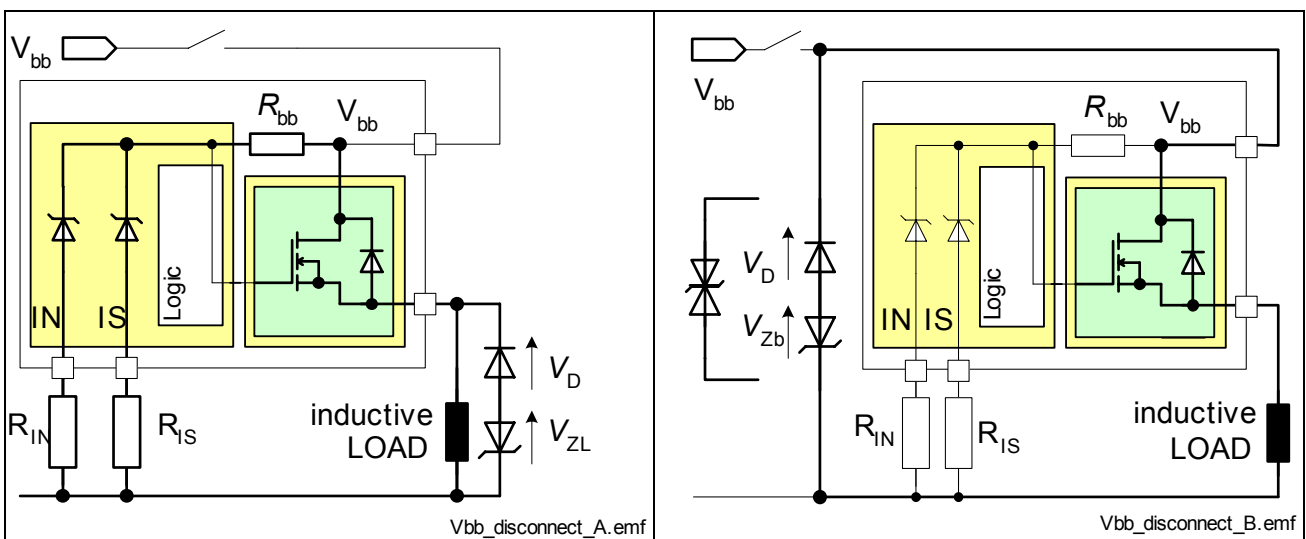


Figure 16 Loss of  $V_{bb}$

### 4.2.7 Electrical Characteristics

 $V_{bb} = 12\text{ V}$ ,  $T_j = +25\text{ °C}$  (unless otherwise specified)

| Pos. | Parameter | Symbol | Limit Values |      |      | Unit | Test Conditions |
|------|-----------|--------|--------------|------|------|------|-----------------|
|      |           |        | min.         | typ. | max. |      |                 |

#### Over-Load Protection

|       |  |               |              |                   |               |                    |   |
|-------|--|---------------|--------------|-------------------|---------------|--------------------|---|
| 4.2.1 | Load current limitation <sup>1) 2)</sup><br>$T_j = -40\text{ °C}$<br>$T_j = +25\text{ °C}$<br>$T_j = +150\text{ °C}$ | $I_{L6(SC)}$  | -<br>-<br>55 | 130<br>130<br>100 | 170<br>-<br>- | A                  | $V_{ON} = 6\text{ V}$ ,<br>(Tab to pin 1, 2, 6<br>and 7)                                      |
| 4.2.2 | Load current limitation <sup>2)</sup><br>$T_j = -40\text{ °C}$<br>$T_j = +25\text{ °C}$<br>$T_j = +150\text{ °C}$    | $I_{L12(SC)}$ | -<br>-<br>50 | 100<br>100<br>85  | 140<br>-<br>- | A                  | $V_{ON} = 12\text{ V}$ ,<br>$t_m = 170\text{ }\mu\text{s}$ ,<br>(Tab to pin 1, 2, 6<br>and 7) |
| 4.2.3 | Load current limitation <sup>1) 2)</sup><br>$T_j = -40\text{ °C}$<br>$T_j = +25\text{ °C}$<br>$T_j = +150\text{ °C}$ | $I_{L18(SC)}$ | -<br>-<br>40 | 70<br>70<br>70    | 100<br>-<br>- | A                  | $V_{ON} = 18\text{ V}$ ,<br>(Tab to pin 1, 2, 6<br>and 7)                                     |
| 4.2.4 | Load current limitation <sup>2)</sup><br>$T_j = -40\text{ °C}$<br>$T_j = +25\text{ °C}$<br>$T_j = +150\text{ °C}$    | $I_{L24(SC)}$ | -<br>-<br>-  | 45<br>45<br>45    | -<br>-<br>-   | A                  | $V_{ON} = 24\text{ V}$ ,<br>$t_m = 170\text{ }\mu\text{s}$ ,<br>(Tab to pin 1, 2, 6<br>and 7) |
| 4.2.5 | Load current limitation <sup>1) 2)</sup><br>$T_j = -40\text{ °C}$<br>$T_j = +25\text{ °C}$<br>$T_j = +150\text{ °C}$ | $I_{L30(SC)}$ | -<br>-<br>-  | 25<br>25<br>25    | -<br>-<br>-   | A                  | $V_{ON} = 30\text{ V}$ ,<br>(Tab to pin 1, 2, 6<br>and 7)                                     |
| 4.2.6 | Short circuit shutdown<br>detection voltage <sup>1)</sup>  | $V_{ON(SC)}$  | 2.5          | 3.5               | 4.5           | V                  | $V_{BIN} > 10\text{ V typ.}$  |
| 4.2.7 | Short circuit shutdown<br>delay after input<br>current pos. slope <sup>3)</sup>                                      | $t_{d(SC1)}$  | 200          | 650               | 1200          | $\mu\text{s}$      | $V_{ON} > V_{ON(SC)}$ ,<br>$T_j = -40 \dots 150\text{ °C}$                                    |
| 4.2.8 | Thermal shut down<br>temperature   | $T_{j(SC)}$   | 150          | 165 <sup>1)</sup> | -             | $^{\circ}\text{C}$ | -   |
| 4.2.9 | Thermal hysteresis <sup>1)</sup>   | $\Delta T_j$  | -            | 10                | -             | K                  | -   |

**Protection Functions**

$V_{bb} = 12\text{ V}$ ,  $T_j = +25\text{ °C}$  (unless otherwise specified)

| Pos. | Parameter | Symbol | Limit Values |      |      | Unit | Test Conditions |
|------|-----------|--------|--------------|------|------|------|-----------------|
|      |           |        | min.         | typ. | max. |      |                 |

**Reverse Battery**

|        |   |                      |   |     |     |    |  |
|--------|---|----------------------|---|-----|-----|----|--|
| 4.2.10 | On-State resistance in case of reverse polarity<br>$V_{bb}=-8\text{V}$ , $T_j=25\text{°C}$ <sup>1)</sup><br>$V_{bb}=-8\text{V}$ , $T_j=150\text{°C}$ <sup>1)</sup><br>$V_{bb}=-12\text{V}$ , $T_j=25\text{°C}$<br>$V_{bb}=-12\text{V}$ , $T_j=150\text{°C}$ | $R_{ON(\text{rev})}$ | - | 9.5 | 13  | mΩ | $V_{IN} = 0$ ,<br>$I_L = -10\text{A}$ ,<br>$R_{IS} = 1\text{ k}\Omega$ ,<br>(pin 1, 2, 6 and 7 to TAB) |
|        |   |                      | - | 16  | 22  |    |  |
|        |   |                      | - | 9   | 12  |    |  |
|        |   |                      | - | 15  | 20  |    |  |
| 4.2.11 | Integrated resistor in $V_{bb}$ line  | $R_{bb}$             | - | 100 | 150 | Ω  | -  |

**Over-Voltage**

|        |                         |            |    |    |   |   |  |
|--------|-------------------------|------------|----|----|---|---|--|
| 4.2.12 | Over-voltage protection | $V_Z$      |    |    |   | V | $I_{bb} = 15\text{ mA}$ ,<br>$T_j = -40 \dots 150\text{ °C}$ |
|        | Input pin               | $V_{Z,IN}$ | 63 | 67 | - | V |  |
|        | Sense pin               | $V_{Z,IS}$ | 56 | 61 | - | V |  |

1) Not subject to production test, specified by design

2) Short circuit current limit for max. duration of  $t_{d(\text{SC}1)}$ , prior to shutdown, see also [Figure 12](#).

3) min. value valid only if input "off-signal" time exceeds 30 μs

### 4.3 Diagnosis

For diagnosis purpose, the BTS 6123B provides an IntelliSense signal at the pin IS.

The pin IS provides during normal operation a sense current, which is proportional to the load current as long as  $V_{b,IS} > 5V$ . The ratio of the output current is defined as  $k_{ILIS} = I_L / I_{IS}$ . During switch-on no current is provided, until the forward voltage drops below  $V_{ON} < 1V$  typ. The output sense current is limited to  $I_{IS,lim}$ .

The pin IS provides in case of any fault conditions a defined fault current  $I_{IS(fault)}$ . Fault conditions are over-current ( $V_{ON} > 1V$  typ.), current limit or over-temperature switch off.

The pin IS provides no current during open load in ON, de-energisation of inductive loads and inverse current mode.

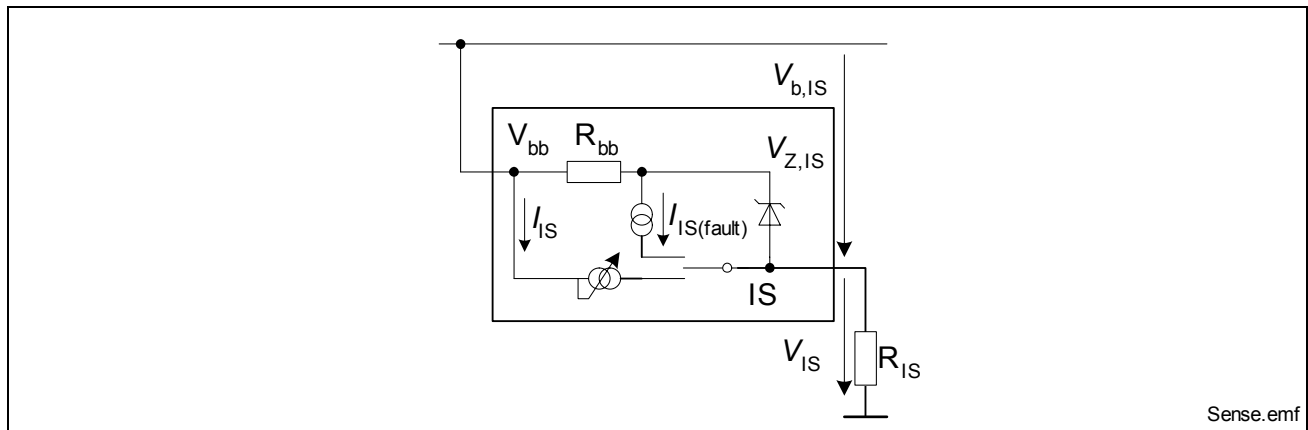


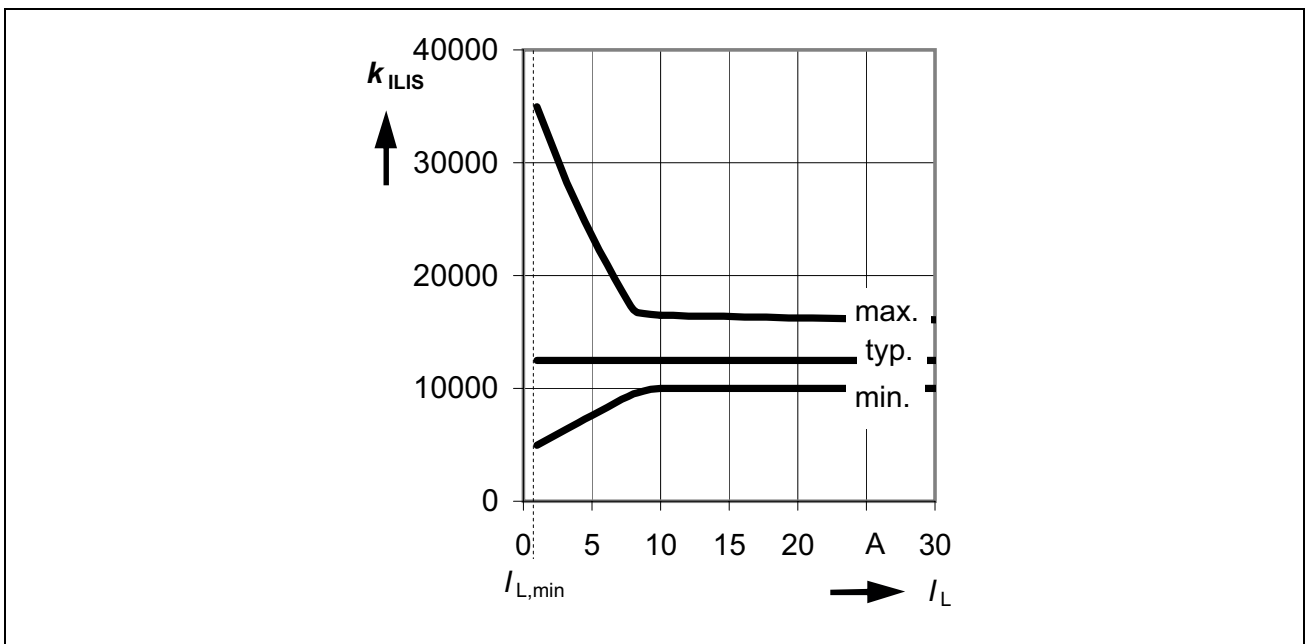
Figure 17 Block Diagram: Diagnosis

Table 1 Truth Table

| Parameter                 | Input Current Level                | Output Level         | Current Sense $I_{IS}$                                       |
|---------------------------|------------------------------------|----------------------|--|
| Normal operation          | L <sup>1)</sup><br>H <sup>1)</sup> | L<br>H               | $\approx 0$ ( $I_{IS(LL)}$ )<br>nominal                      |
| Overload                  | L<br>H                             | L<br>H               | $\approx 0$ ( $I_{IS(LL)}$ )<br>$I_{IS,fault}$               |
| Short circuit to GND      | L<br>H                             | L<br>L               | $\approx 0$ ( $I_{IS(LL)}$ )<br>$I_{IS,fault}$               |
| Overtemperature           | L<br>H                             | L<br>L               | $\approx 0$ ( $I_{IS(LL)}$ )<br>$I_{IS,fault}$               |
| Short circuit to $V_{bb}$ | L<br>H                             | H<br>H               | $\approx 0$ ( $I_{IS(LL)}$ )<br>< nominal <sup>2)</sup>      |
| Open load                 | L<br>H                             | Z <sup>1)</sup><br>H | $\approx 0$ ( $I_{IS(LL)}$ )<br>$\approx 0$ ( $I_{IS(LH)}$ ) |

- 1) H = "High" Level, L = "Low" Level, Z = high impedance, potential depends on external circuit
- 2) Low ohmic short to  $V_{bb}$  may reduce the output current  $I_L$  and therefore also the sense current  $I_{IS}$ .

The accuracy of the provided current sense ratio ( $k_{ILIS} = I_L / I_{IS}$ ) depends on the load current. Please refer to **Figure 18** for details. A typical resistor  $R_{IS}$  of 1 k $\Omega$  is recommended.



**Figure 18** Current sense ratio  $k_{ILIS}$ <sup>1)</sup>

Details about timings between the diagnosis signal  $I_{IS}$ , the forward voltage drop  $V_{ON}$  and the load current  $I_L$  in ON-state can be found in **Figure 19**.

*Note: During operation at low load current and at activated forward voltage drop limitation the "two level control" of  $V_{ON(NL)}$  can cause a sense current ripple synchronous to the "two level control" of  $V_{ON(NL)}$ . The ripple frequency increases at reduced load currents.*

<sup>1)</sup> The curves show the behavior based on characterization data. The marked points are guaranteed in this Data Sheet in **Section 4.3.1** (Position **4.3.1**).



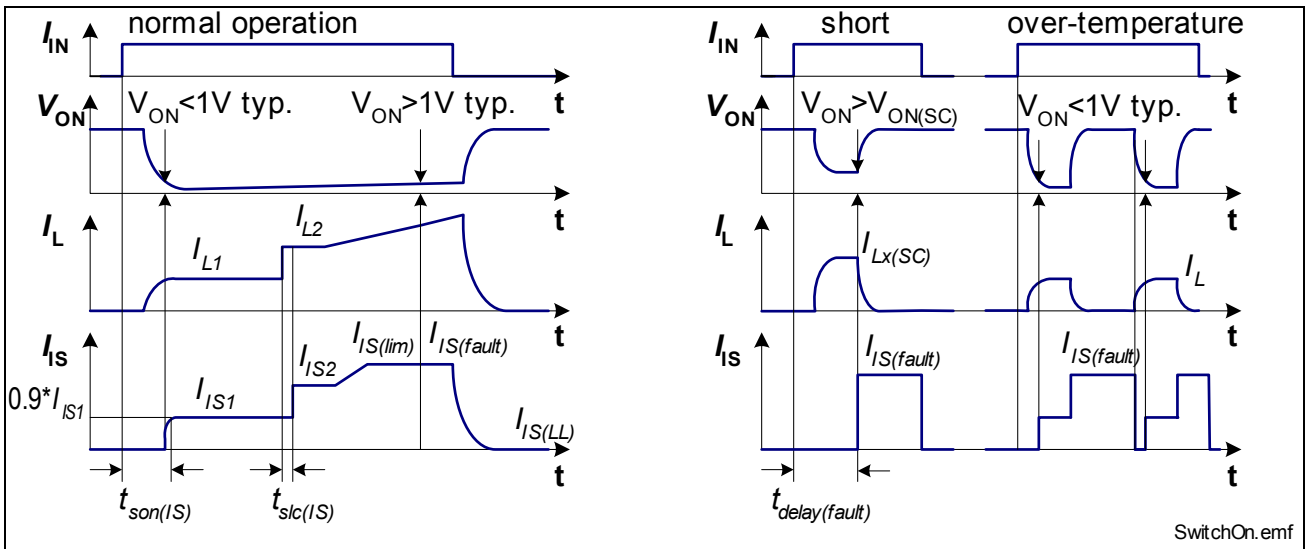


Figure 19 Timing of Diagnosis Signal in ON-state

### 4.3.1 Electrical Characteristics

$V_{bb} = 12\text{ V}$ ,  $T_j = 25\text{ °C}$  (unless otherwise specified)

| Pos. | Parameter | Symbol | Limit Values |      |      | Unit | Test Conditions |
|------|-----------|--------|--------------|------|------|------|-----------------|
|      |           |        | min.         | typ. | max. |      |                 |

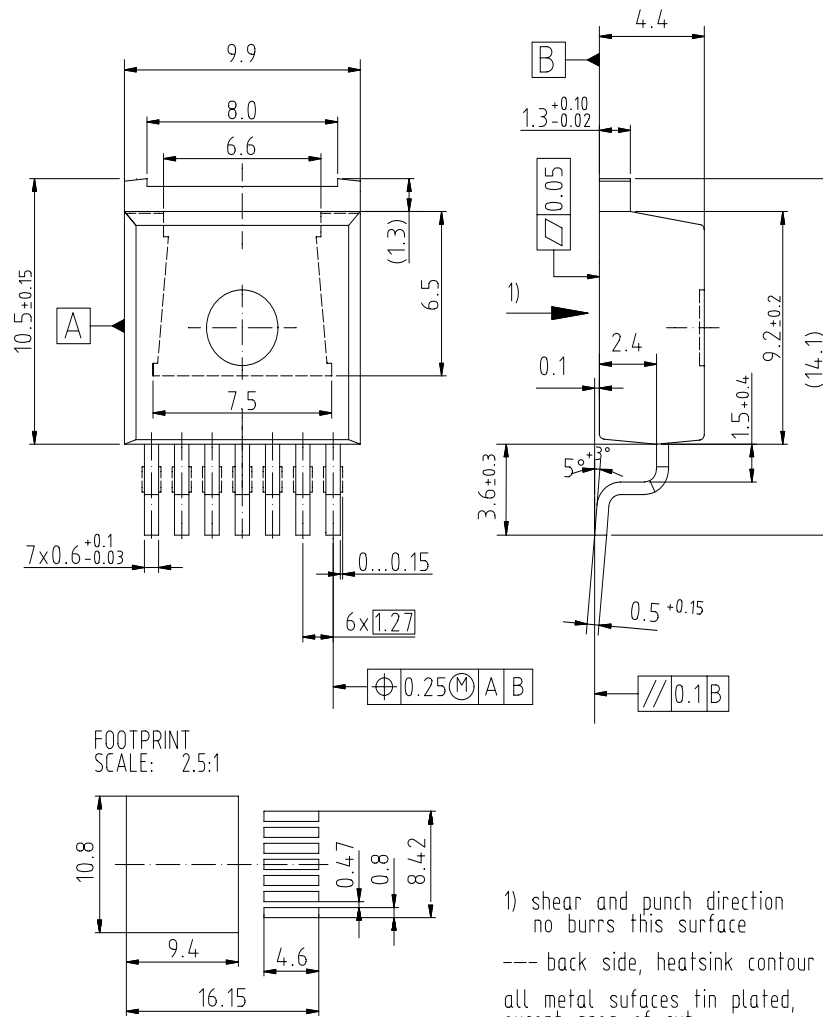
#### Load Current Sense

|       |  |                    |     |      |      |               |  |
|-------|--|--------------------|-----|------|------|---------------|--|
| 4.3.1 | Current sense ratio, static on-condition<br><br>$I_L=35\text{A}$<br>$I_L=10\text{A}$<br>$I_L=1\text{A}$<br><br>$I_{IN} = 0$ (e.g. during de-energizing of inductive loads) <sup>1)</sup> | $k_{ILIS}$         | -   | 12.5 | -    | k             | $V_{IN} = 0\text{ V}$ ,<br>$I_{IS} < I_{IS,lim}$<br>$T_j = -40..150\text{ °C}$ |
|       |  |                    | 10  | 12.5 | 16   |               |  |
|       |  |                    | 10  | 12.5 | 16.5 |               |  |
|       |  |                    | 5   | 12.5 | 35   | -             |  |
| 4.3.2 | Sense saturation current <sup>1)</sup>   | $I_{IS(lim)}$      | 2.5 | 6    | 10   | mA            | $V_{ON} < 1\text{ V}$ , typ.<br>$T_j = -40 \dots 150\text{ °C}$                |
| 4.3.3 | Sense current under fault conditions   | $I_{IS(fault)}$    | 2.5 | 6    | 10   | mA            | $V_{ON} > 1\text{ V}$ , typ.<br>$T_j = -40 \dots 150\text{ °C}$                |
| 4.3.4 | Current sense leakage current  | $I_{IS(LL)}$       | -   | 0.1  | 0.5  | $\mu\text{A}$ | $I_{IN} = 0$   |
| 4.3.5 | Current sense offset current   | $I_{IS(LH)}$       | -   | 0.1  | 1    | $\mu\text{A}$ | $V_{IN} = 0$ , $I_L \leq 0$  |
| 4.3.6 | Minimum load current for sense functionality <sup>1)</sup>   | $I_{L(MIN)}$       | 1   | -    | -    | A             | $V_{IN} = 0$ ,<br>$T_j = -40 \dots 150\text{ °C}$                              |
| 4.3.7 | Current sense settling time to 90% $I_{IS\_stat.}$ <sup>1)</sup>   | $t_{son(IS)}$      | -   | 350  | 700  | $\mu\text{s}$ | $I_L = 0 \rightarrow 20\text{ A}$<br>$T_j = -40 \dots 150\text{ °C}$           |
| 4.3.8 | Current sense settling time to 90% $I_{IS\_stat.}$ <sup>1)</sup>   | $t_{slc(IS)}$      | -   | 50   | 100  | $\mu\text{s}$ | $I_L = 10 \rightarrow 20\text{ A}$<br>$T_j = -40 \dots 150\text{ °C}$          |
| 4.3.9 | Fault-Sense signal delay after input current positive slope  | $t_{delay(fault)}$ | 200 | 650  | 1200 | $\mu\text{s}$ | $V_{ON} > 1\text{ V}$ , typ.<br>$T_j = -40 \dots 150\text{ °C}$                |

<sup>1)</sup> Not subject to production test, specified by design

## 5 Package Outlines BTS 6123B

**P-TO-220-7-180**  
(Plastic Dual Small Outline Package)



You can find all of our packages, sorts of packing and others in our Infineon Internet Page "Products": <http://www.infineon.com/products>.

SMD = Surface Mounted Device

Dimensions in mm

## **6 Revision History**

| <b>Version</b> | <b>Date</b> | <b>Changes</b>                |
|----------------|-------------|-------------------------------|
| V1.0           | 05-12-15    | initial version of Data Sheet |

**Edition 2005-12-15**

**Published by Infineon Technologies AG,  
St.-Martin-Strasse 53,  
D-81541 München, Germany**

**© Infineon Technologies AG 12/16/05.  
All Rights Reserved.**

### **Attention please!**

The information herein is given to describe certain components and shall not be considered as warranted characteristics.

Terms of delivery and rights to technical change reserved.

We hereby disclaim any and all warranties, including but not limited to warranties of non-infringement, regarding circuits, descriptions and charts stated herein.

Infineon Technologies is an approved CECC manufacturer.

### **Information**

For further information on technology, delivery terms and conditions and prices please contact your nearest Infineon Technologies Office in Germany or our Infineon Technologies Representatives worldwide.

### **Warnings**

Due to technical requirements components may contain dangerous substances. For information on the types in question please contact your nearest Infineon Technologies Office.

Infineon Technologies Components may only be used in life-support devices or systems with the express written approval of Infineon Technologies, if a failure of such components can reasonably be expected to cause the failure of that life-support device or system, or to affect the safety or effectiveness of that device or system. Life support devices or systems are intended to be implanted in the human body, or to support and/or maintain and sustain and/or protect human life. If they fail, it is reasonable to assume that the health of the user or other persons may be endangered.

<http://www.infineon.com>

Published by Infineon Technologies AG