

REVISION B
REVISED AND
REDRAWN ON
CAD/CAM
DATE/ENG

REVISION C
TEMECULA
WAS CARSON
ADDED SAFETY
6/15/95 TS

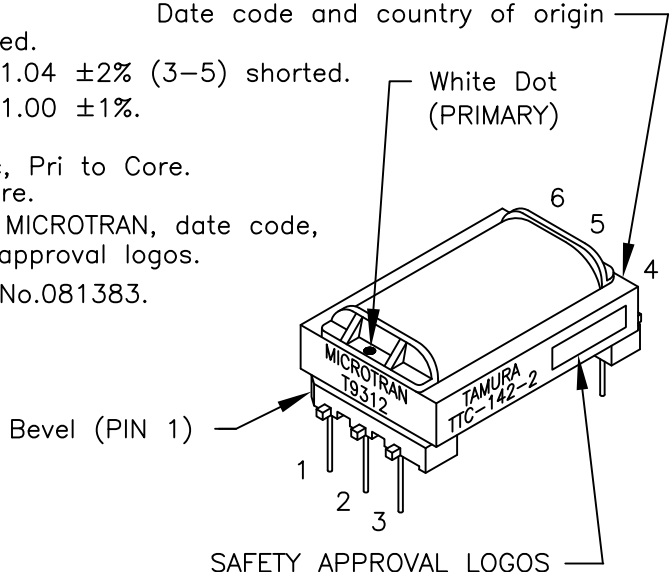
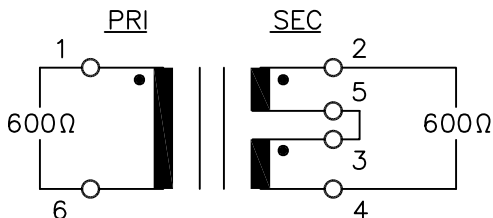
REVISION D
NEW FORMAT
7/01/98

REVISION E
ADDED RoHS.
UL1459 WAS
UL1863.
5/26/09 M.P.

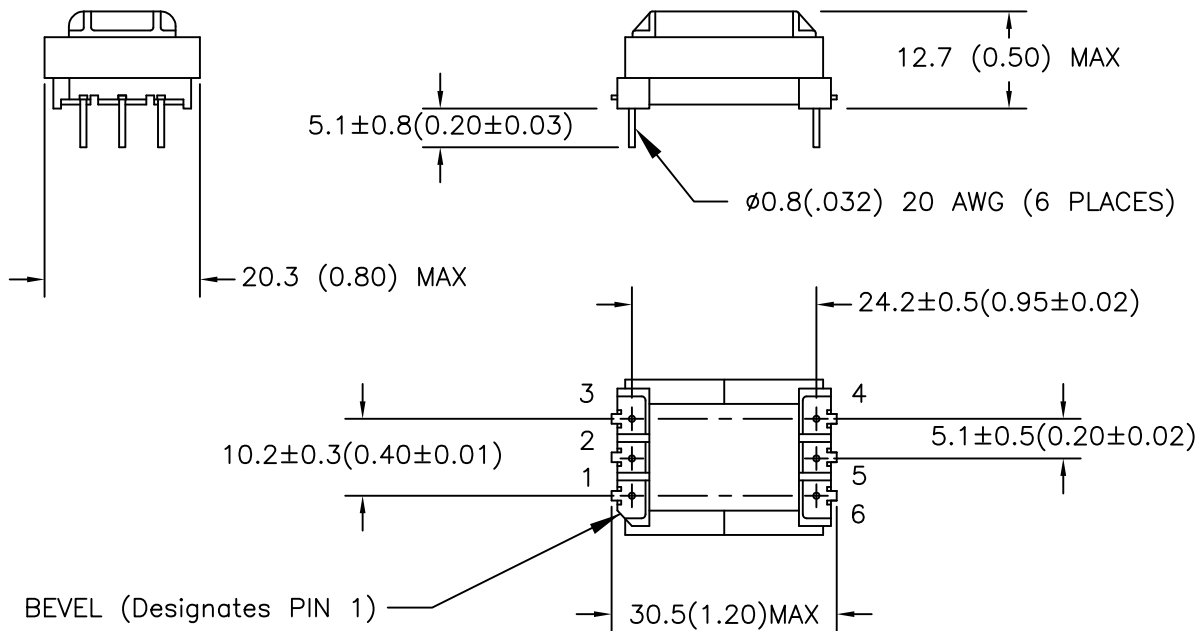
- A. Electrical Specifications (@ 25°C)
- Pri Source Impedance; 600Ω
 - Sec Load Impedance; 600 Ω split.
 - Operating Level; -45dBm to +10dBm
 - Insertion Loss; 1.9dB MAX @ 1.8KHz 0dBm, DC90mA.
 - Frequency Response (relative to 1.8KHz) +0.3dB, -1.3dB @ 500 to 3.5KHz 0dBm, DC90mA. +0.3dB, -2.5dB @ 300 to 3.5KHz 0dBm, and DC90mA.
 - Pri Impedance; 600Ω ±20% @ 500 to 1.8KHz 0dBm, DC90mA.
 - Pri Return Loss; 14dB MIN @ 1.8KHz 0dBm, DC90mA.
 - Longitudinal Balance; 60dB MIN @ 300 to 4KHz.
 - Total Harmonic Distortion; 1.0% MAX @ 300 to 3.5KHz 0dBm, DC90mA.
 - DC Resistance; (1-6) = 75 Ω ±10%. (2-4) = 95Ω±10%. (3-5) shorted.
 - Turns Ratio; (1-6) : (2-4) = 1 : 1.04 ±2% (3-5) shorted. (2-5) : (3-4) = 1 : 1.00 ±1%.
 - Dielectric Strength; 1500Vrms 1 minute @ Pri to Sec, Pri to Core. 1500Vrms 1 minute @ Sec to Core.
- B. Marking: TTC-142-2, TAMURA, T9312, MICROTRAN, date code, country of origin and safety approval logos.
- C. Safety: CSA C22.2 No.66-M1988 File No.081383. UL1459 File No. E142035.



D. Schematic Diagram:



E. Mechanical Specifications:



PREPARED BY:
E. BRINER

ENGINEER:
M. PITCHAI

SAFETY ENGINEER:
B.O.

APPROVED:
T. BROOKS

P-A1-10038 ACAD\TTC\A1100381.DWG	TELECOMMUNICATION COUPLING TRANSFORMER	MODEL SPECIFICATION TTC-142-2	REV E
CONTENTS OF THIS DRAWING ARE SUBJECT TO CHANGE CONTROL TAMURA CORPORATION OF AMERICA 43352 BUSINESS PARK DRIVE, TEMECULA, CA. 92590-6624 (951) 699-1270 FAX 9516769482		DIM: mm[In] SCL: NONE SHT 1 OF 1	
PROPRIETARY NOTICE: THIS DRAWING PRINT OR DOCUMENT AND SUBJECT MATTER DISCLOSED HEREIN ARE PROPRIETARY ITEMS TO WHICH TAMURA RETAINS THE EXCLUSIVE RIGHT OF DISSEMINATION, REPRODUCTION, MANUFACTURE AND SALE. THIS DRAWING, PRINT OR DOCUMENT IS SUBMITTED IN CONFIDENCE FOR CONSIDERATION BY THE RECIPIENT ALONE UNLESS PERMISSION FOR FURTHER DISCLOSURE IS EXPRESSLY GRANTED IN WRITING.			