

GaAs High Isolation Switch DC - 3.0 GHz

Rev. V4

Features

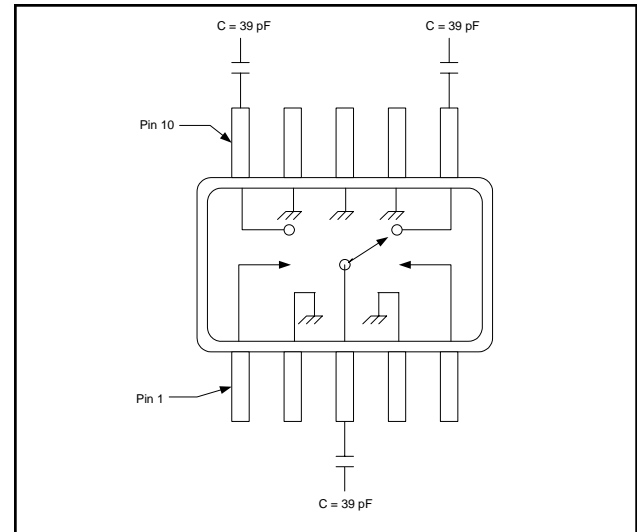
- Low Power Consumption: < 15 μ A @ +2.5V
- High Isolation: 50 dB Typical @ 2 GHz
- Low Insertion Loss: 0.7 dB @ 2 GHz
- Positive 2.5 to 5 V Control
- Low Cost Plastic MSOP-10 Package

Description

The SW-439 is a GaAs MMIC SPDT switch in a low cost MSOP-10 surface mount plastic package. This part is ideal for high isolation, broadband switching requirements. Typical applications include synthesizer switching, transmit/receive switching, switch matrices and filter banks in systems such as radio and cellular equipment, PCM, GPS, and fiber optic modules.

The SW-439 is fabricated as a monolithic GaAs MMIC using a 0.5 micron pHEMT process. The process features full passivation.

Functional Schematic ⁴



4. For improved performance at frequencies below 500 MHz, use larger value capacitors.

Ordering Information¹

Part Number	Package
SW-439	Bulk Packaging
SW-439TR	1000 piece reel
SW-439SMB	Sample Board

1. Reference Application Note M513 for reel size information.

Pin Configuration

Pin No.	Function	Pin No.	Function
1	Control 1	6	RF Port 2
2	Ground	7	Ground
3	RF Input	8	Ground
4	Ground	9	Ground
5	Control 2	10	RF Port 1

Absolute Maximum Ratings ^{2,3}

Parameter	Absolute Maximum
Input Power	+30 dBm
Operating Voltage	+8.5 Volts
Operating Temperature	-40°C to +85°C
Storage Temperature	-65°C to +150°C

- Exceeding any one or combination of these limits may cause permanent damage to this device.
- M/A-COM Technology Solutions does not recommend sustained operation near these survivability limits.

Truth Table ^{5,6}

Control V1	Control V2	RFC - RF1	RFC - RF2
0	1	Off	On
1	0	On	Off

- External DC blocking capacitors are required on all RF ports.
- "0" = 0 + 0.2 Vdc, "1" = +2.5 to +5 Vdc

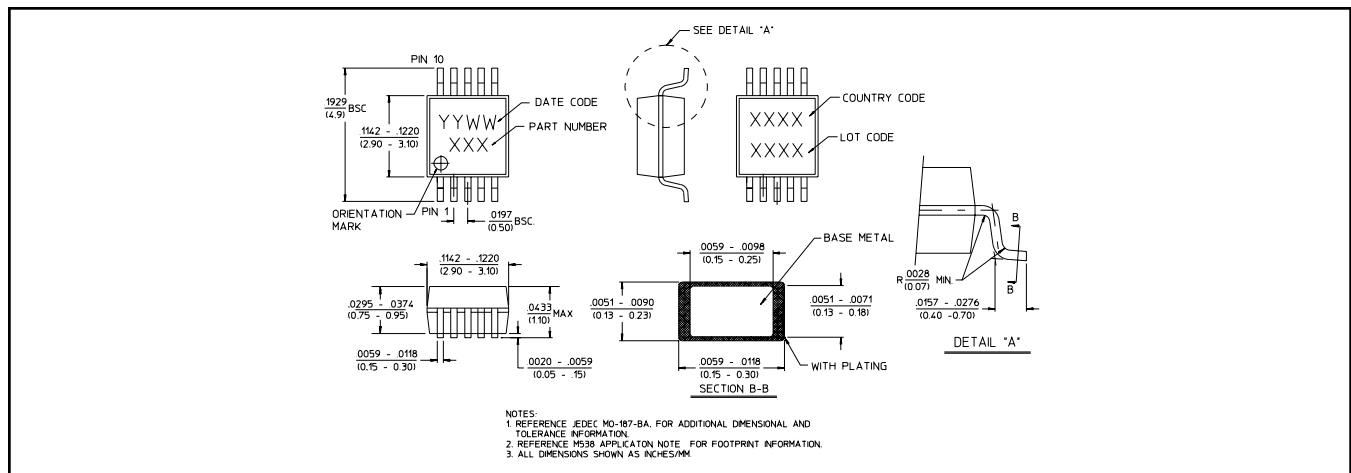
GaAs High Isolation Switch DC - 3.0 GHz

Rev. V4

Electrical Specifications: $T_A = 25^\circ\text{C}$, $V_C = 0 / 3 \text{ V}$, $Z_0 = 50\Omega$

Parameter	Test Conditions	Units	Min.	Typ.	Max.
Insertion Loss	DC - 1.0 GHz	dB	—	0.55	0.65
	1.0 - 2.0 GHz	dB	—	0.65	0.75
	2.0 - 3.0 GHz	dB	—	0.80	0.90
Isolation	DC - 2.0 GHz	dB	45	47	—
	2.0 - 3.0 GHz	dB	31	33	—
VSWR	0.25 - 3.0 GHz	Ratio	—	1.2:1	1.3:1
P1dB	500 MHz - 2.0 GHz, $V_C = 2.5 \text{ V}$	dBm	—	20	—
P1dB	500 MHz - 2.0 GHz, $V_C = 5 \text{ V}$	dBm	—	28	—
IP2	2 Tone, 900 MHz, 5 MHz Spacing, $V_C = 3 \text{ V}$	dBm	—	85	—
IP3	2 Tone, 900 MHz, 5 MHz Spacing, $V_C = 3 \text{ V}$	dBm	—	50	—
Ton, Toff	50% Control to 90% RF, 50% Control to 10% RF	nS	—	20	—
Trise, Tfall	10% to 90% RF, 90% to 10% RF	nS	—	10	—
Transients	In-band	mV	—	15	—
Control Current	$ V_C = 2.5 \text{ V}$	μA	—	5	15

MSOP-10[†]



[†] Meets JEDEC moisture sensitivity level 1 requirements.
Plating is 100% matte tin over copper.

ADVANCED: Data Sheets contain information regarding a product M/A-COM Technology Solutions is considering for development. Performance is based on target specifications, simulated results, and/or prototype measurements. Commitment to develop is not guaranteed.
PRELIMINARY: Data Sheets contain information regarding a product M/A-COM Technology Solutions has under development. Performance is based on engineering tests. Specifications are typical. Mechanical outline has been fixed. Engineering samples and/or test data may be available. Commitment to produce in volume is not guaranteed.

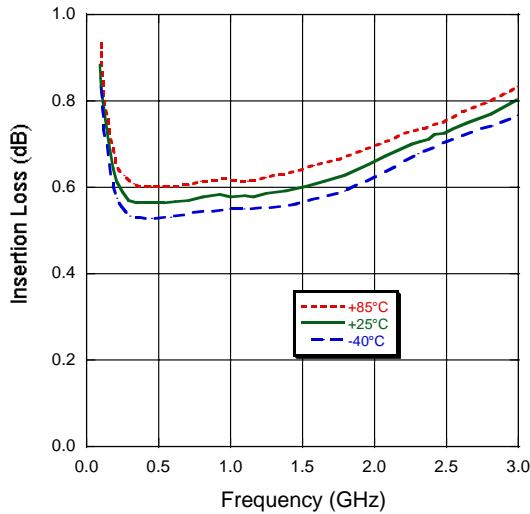
- **North America** Tel: 800.366.2266 / Fax: 978.366.2266
- **Europe** Tel: 44.1908.574.200 / Fax: 44.1908.574.300
- **Asia/Pacific** Tel: 81.44.844.8296 / Fax: 81.44.844.8298

Visit www.macomtech.com for additional data sheets and product information.

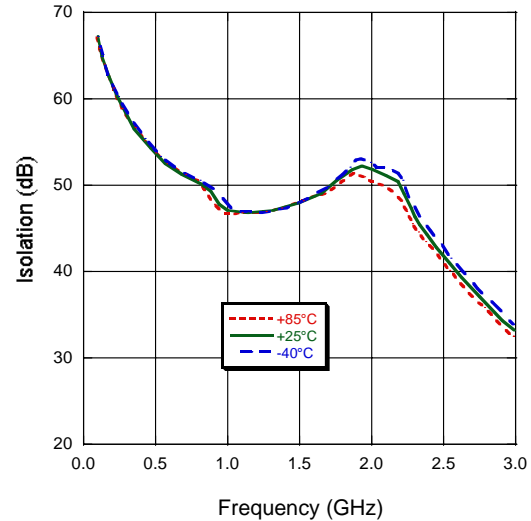
M/A-COM Technology Solutions Inc. and its affiliates reserve the right to make changes to the product(s) or information contained herein without notice.

Typical Performance Curves

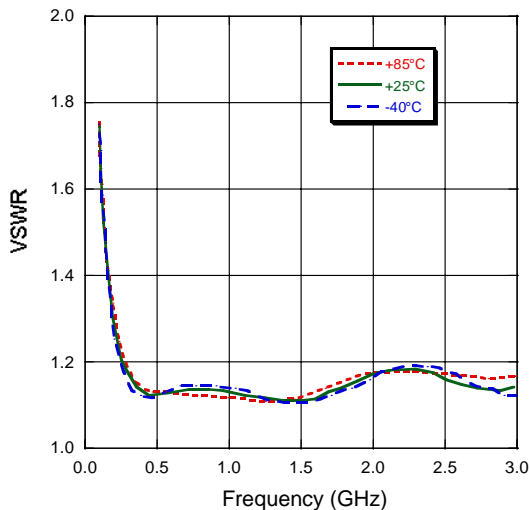
Insertion Loss



Isolation



VSWR



Handling Procedures

Please observe the following precautions to avoid damage:

Static Sensitivity

Gallium Arsenide Integrated Circuits are sensitive to electrostatic discharge (ESD) and can be damaged by static electricity. Proper ESD control techniques should be used when handling these devices.