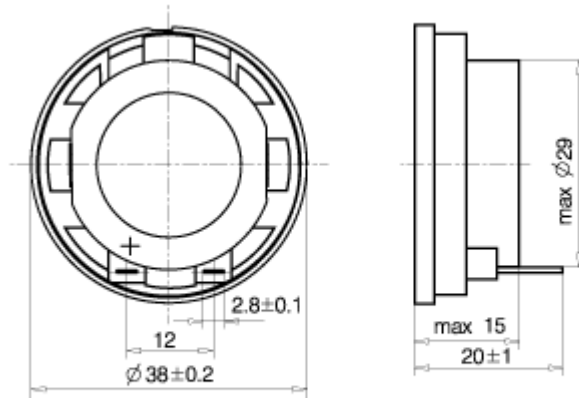




| | |
|--------------------------------------|----------------------|
| Type | BLS38-1 |
| Rated Impedance(Ω) | 50 \pm 15% |
| Rated(Max.) Power(W) | 0.25(0.5) |
| Resonant Frequency(Hz) | 450 \pm 20% |
| Rated Freq.Range(Hz) | f ₀ ~5000 |
| Sound Pressure Level(dB) | 82 \pm 3 |
| Magnet(g) | 11 |
| Operating Temperature($^{\circ}$ C) | -10~+40 |



Unit:mm

