

NOTES:

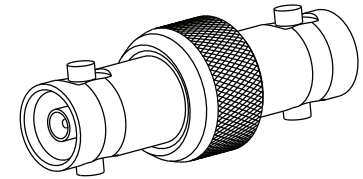
1. MATERIALS AND FINISHES:
 BODIES - BRASS, NICKEL PLATING
 CONTACT - BERYLLIUM COPPER, GOLD PLATING
 INSULATOR - PTFE
2. ELECTRICAL:
 A. IMPEDANCE: 75 OHM
 B. FREQUENCY RANGE: DC TO 3 GHz
3. MECHANICAL:
 A. DURABILITY: 500 CYCLES MIN.
 B. TEMPERATURE RANGE: -65° C TO +165° C
4. PACKAGING:
 A. QUANTITY: SINGLE PACK
 B. MARKING: BAG TO BE MARKED
 "AMPHENOLRF, APH-HDBNCJ-J, AND DATE CODE"

THIRD ANGLE PROJ.

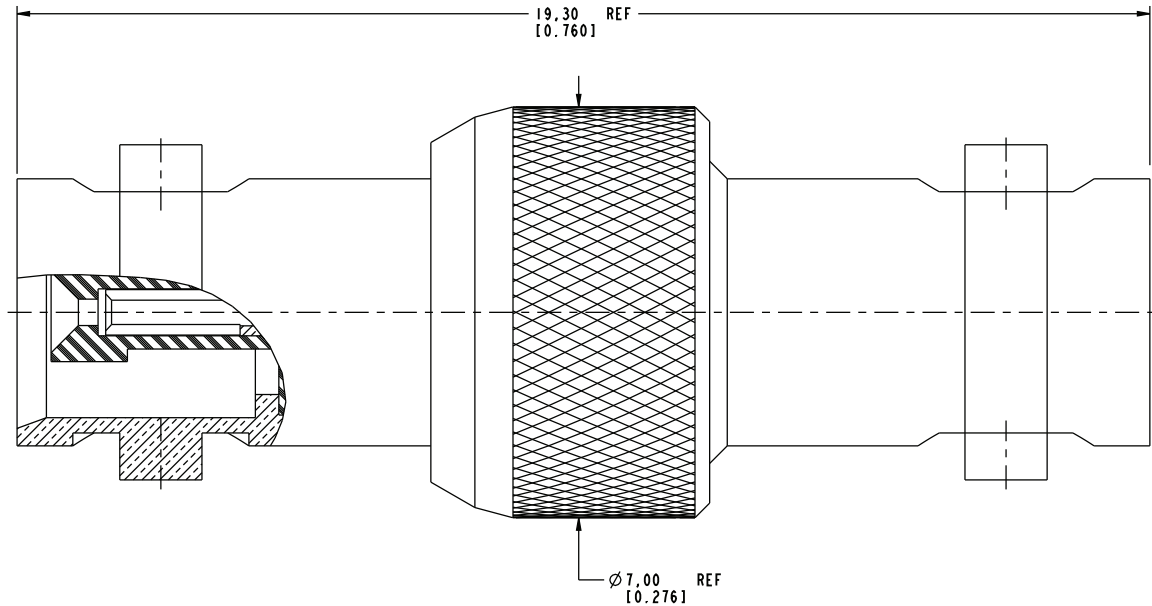
REVISIONS

REV	DESCRIPTION	DATE	ECO	APPR
1	PROTOTYPE RELEASE	16-Mar-10	--	BM
2	SEE SHEET 1	19-Mar-10	--	BM
3	SEE SHEET 1	19-Mar-10	--	BM
4	SEE SHEET 1	20-May-10	--	PNE
5	SEE SHEET 1	25-May-10	--	PNE
6	SEE SHEET 1	25-May-10	--	PNE

PRELIMINARY ISSUE



SCALE 4.000



CUSTOMER OUTLINE DRAWING

ALL OTHER SHEETS ARE FOR INTERNAL USE ONLY

UNLESS OTHERWISE SPECIFIED, DIMENSIONS ARE IN METRIC AND TOLERANCES ARE:
 <0.5mm ±0.05mm 0.5 - 6mm ±0.1mm 6 - 30mm ±0.2mm 30 - 120mm ±0.3mm ANGLES ±1°

NOTICE - These drawings, specifications, or other data (1) are, and remain the property of Amphenol corp. (2) must be returned upon request; and (3) are confidential and not to be disclosed to any person other than those to whom they are given by Amphenol Corp. The furnishing of these drawings, specifications, or other data by Amphenol Corp., or to any other person to anyone for any purpose is not to be regarded by implication or otherwise in any manner licensing, granting rights to permitting such holder or any other person to manufacture, use or sell any product, process or design, patented or otherwise, that may in any way be related to or disclosed by said drawings, specifications, or other data.

MATERIAL SEE NOTES	DRAWN BALAJI M	DATE 16-Mar-10	TITLE ADAPTOR, 75 OHM HD-BNC, JACK TO JACK	Amphenol RF Danbury CT USA, Tainan, Taiwan, Shenzhen, China www.amphenolrf.com
	ENGINEER BALAJI M	DATE 16-Mar-10		
REFERENCE EAR # 3967	APPROVED	DATE	SCALE: 12.0:1.0	SHEET 2 OF 2
CONFIGURATION LEVEL: Prototype	CAD FILE Root Folder/HD-BNC/APH-HDBNCJ-J		DWG SIZE B	REV 6
FINISH				DRAWING NO. APH-HDBNCJ-J ITEM NO. APH-HDBNCJ-J PART NO. APH-HDBNCJ-J