

PLEASE CHECK WWW.MOLEX.COM FOR LATEST PART INFORMATION

Part Number: [0039000034](#)
Status: **Active**
Description: Crimp Terminal 5394, 20-22 AWG, Reel

Documents:

[Drawing \(PDF\)](#) [RoHS Certificate of Compliance \(PDF\)](#)
[Product Specification PS-5395-001 \(PDF\)](#)

General

Product Family Crimp Terminals
 Series [5394](#)
 Crimp Quality Equipment Yes
 Product Name Board-In

Physical

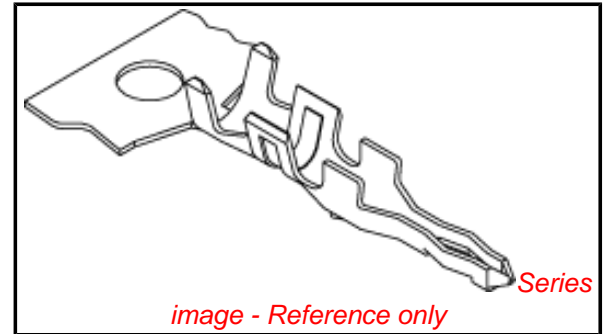
Gender Male
 Material - Metal Brass
 Material - Plating Mating Tin
 Packaging Type Reel
 Termination Interface: Style Crimp or Compression
 Wire Insulation Diameter 1.60-2.10mm (.063-.083")
 Wire Size AWG 20, 22
 Wire Size mm² N/A

Material Info

Old Part Number 5394T2

Reference - Drawing Numbers

Product Specification PS-5395-001
 Sales Drawing SD-5394T2*



EU RoHS

ELV and RoHS Compliant

REACH SVHC

Contains SVHC: No

Halogen-Free Status

Halogen-Free

China RoHS



Need more information on product environmental compliance?

Email productcompliance@molex.com
 For a multiple part number RoHS Certificate of Compliance, [click here](#)

Please visit the [Contact Us](#) section for any non-product compliance questions.

Search Parts in this Series

[5394Series](#)

Use With

[5395](#) Board-In Housing

Application Tooling | FAQ

Tooling specifications and manuals are found by selecting the products below. Crimp Height Specifications are then contained in the Application Tooling Specification document.

Global

Description	Product #
Terminator Die	0011402221
FineAdjust™	0639006300
Applicator for Board in Connector Mini Crimp Terminals, 20-22 AWG	

10 9 8 7 6 5 4 3 2 1

F

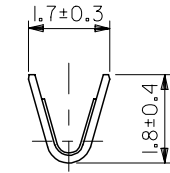
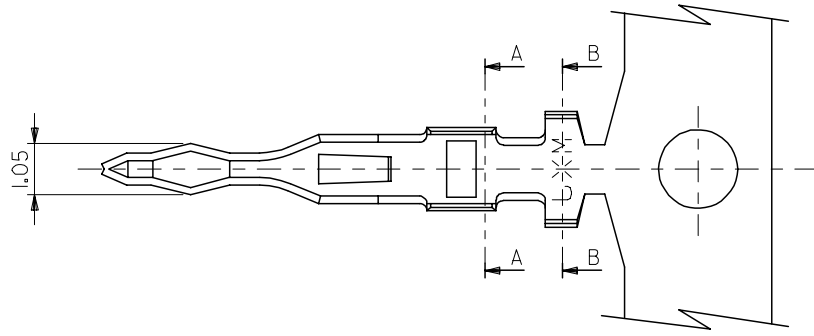
E

D

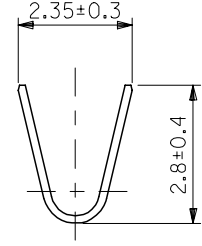
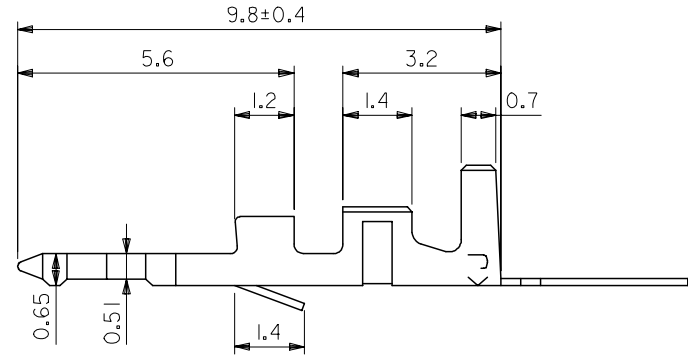
C

B

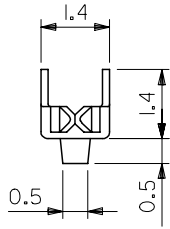
A



断面A-A
SECT. A-A



断面B-B
SECT. B-B



注)
NOTE.

1. 適合ハウジング : 5395-N
HOUSING:5395-N

39-00-0035	5394T2L	バラ状 LOOSE
39-00-0034	5394T2	連鎖状 CHAIN
EDP.NO.	ENG.NO.	形状 FORM

REVISED EC NO: J2005-0061 DRAWN: TANAKA 2005/02/03 CHKD: NUKITA 2005/02/04 APPR: NUKITA 2005/02/10	GENERAL TOLERANCES (UNLESS SPECIFIED)		DIMENSION STYLE MM ONLY	SCALE 10:1	DESIGN UNITS METRIC	THIRD ANGLE PROJECTION
	10 UNDER	±0.2	DRAWN BY KKOHAMA	DATE 2000/03/28	BOARD IN CONN. MINI. CRIMP PIN	
	10 OVER 30 UNDER	±0.25	CHECKED BY TYAMAGUC	DATE 2000/03/30		
	30 OVER	±0.3	APPROVED BY MFUKUSHI	DATE 2000/03/30	MOLEX INCORPORATED	
ANGULAR ±3 °		DRAFT WHERE APPLICABLE MUST REMAIN WITHIN DIMENSIONS		MATERIAL NO. SEE CHART	DOCUMENT NO. SD-5394T2*	SHEET NO. 1 OF 1

MATERIAL
黄銅(錫メッキ) t:0.15
PRE-TINNED BRASS t:0.15