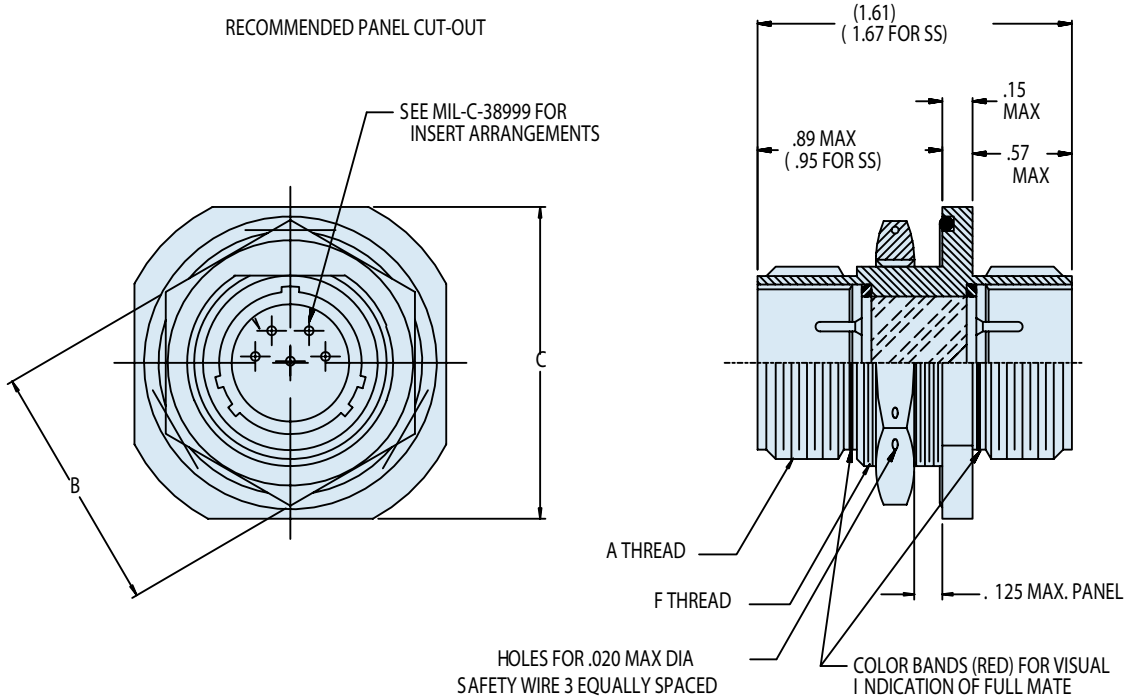
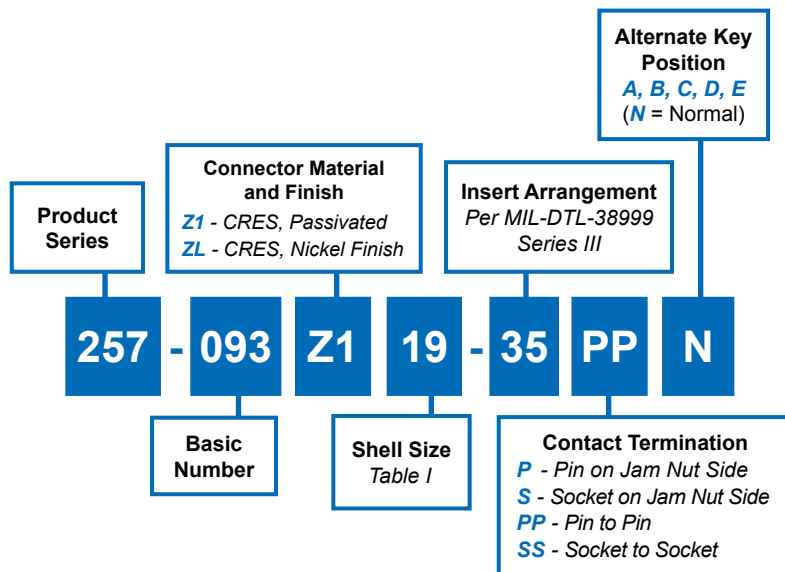




257-093
Jam Nut Mount Hermetic Bulkhead Feed-Thru
MIL-DTL-38999 Series III Type

B

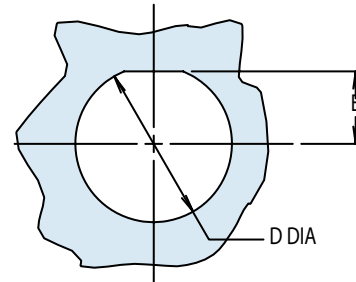


257-093
Jam Nut Mount Hermetic Bulkhead Feed-Thru
MIL-DTL-38999 Series III Type



MIL-DTL
38999 Type

HERMETIC LEAK RATE MOD CODES	
Designator	Required Leak Rate
-585A	1 x 10 ⁻¹⁰ cc's Helium per second
-585B	1 x 10 ⁻⁹ cc's Helium per second
-585C	1 x 10 ⁻⁸ cc's Helium per second



RECOMMENDED PANEL CUT-OUT

B

TABLE I: CONNECTOR DIMENSIONS						
SHELL SIZE	A THREAD 0.1 P-0.3L-TS-2	B DIM	C DIM MAX	D DIA	E DIM	F THREAD CLASS 2A
9	0.625	.875(22.2)	1.09(27.7)	.698(17.7)	.322 (8.2)	11/16-24 UNEF
11	0.750	1.000(25.4)	1.28(32.5)	.822(20.9)	.385 (9.8)	13/16-20 UNEF
13	0.875	1.250(31.8)	1.40(35.6)	1.010(27.6)	.479 (12.2)	1-20 UNEF
15	1.000	1.375(34.9)	1.53(38.9)	1.135(28.8)	.541 (13.7)	1 1/8-18 UNEF
17	1.187	1.500(38.1)	1.66(42.2)	1.260(32.0)	.604 (15.3)	1 1/4-18 UNEF
19	1.250	1.625(41.3)	1.84(46.7)	1.385(35.2)	.635 (16.1)	1 3/8-18 UNEF
21	1.375	1.750(44.5)	1.97(50.5)	1.510(38.4)	.698 (17.7)	1 1/2-18 UNEF
23	1.500	1.875(47.6)	2.09(53.1)	1.635(41.5)	.760 (19.3)	1 5/8-18 UNEF
25	1.625	2.000(50.8)	2.21(56.1)	1.760(44.7)	.822 (20.9)	1 3/4-18 UNEF

APPLICATION NOTES

- Assembly identified with manufacturer's name and PN, space permitting.
- For pin/pin and socket/socket, symmetrical layouts only, consult factory for available insert arrangements.
- Electrical safety limits must be established by user, peak voltage, switching surge, transient, etc. should be used to determine the safety of the application.
- Material/Finish:
 Shell, lock ring, jam nut—stainless steel/passivate
 Contacts—alloy 52/gold plate
 Sockets—copper alloy/gold plate
 Hermetic Insulator—full glass/N.A.
 Socket Insulator—rigid dielectric/N.A.
 Seals—fluorosilicone/ N.A.
- Metric dimensions (mm) are indicated in parentheses.