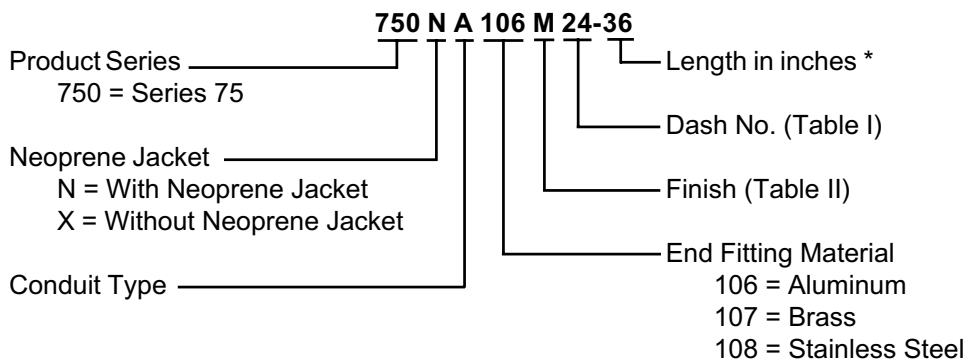
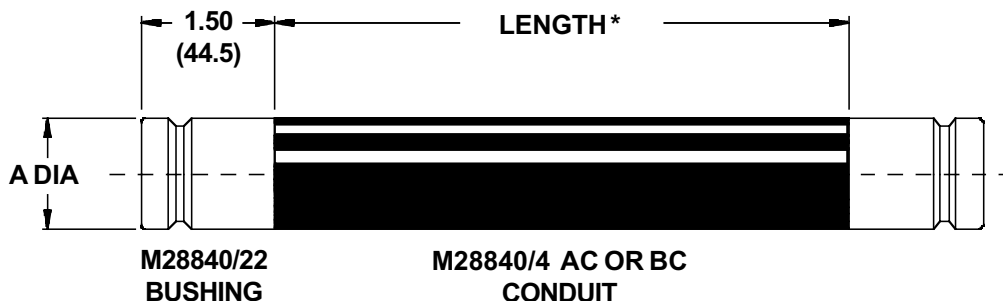


750-106
Pre-Terminated Assemblies for
M28840/5, /25, /27 & /30 Adapters
Series 72 & 74 Tubing & Series 75 Conduit



USE WITH
ADAPTERS
M28840/5
M28840/25
M28840/27
M28840/30



DASH NO.	CONDUIT I.D.	MIL-C-28840/4 SIZE REF.	A DIA
12	.375 (9.5)	03	.625 (15.9)
16	.500 (12.7)	04	.750 (19.1)
20	.625 (15.9)	05	.875 (22.2)
24	.750 (19.1)	06	1.000 (25.4)
32	1.000 (25.4)	08	1.375 (34.9)
40	1.250 (31.8)	10	1.625 (41.3)
48	1.500 (38.1)	12	1.875 (47.6)
64	2.000 (50.8)	16	2.375 (60.3)

SYMBOL	FINISH
B	Olive Drab over Cadmium Plate
J	Gold Iridite over Cadmium Plate over Nickel
M	Electroless Nickel
N	Olive Drab over Cadmium Plate over Nickel
NC	Zinc-Cobalt, Olive Drab
NF	Olive Drab over Cadmium Plate over Electroless Nickel (500 Hour Salt Spray)
T	Bright Dip Cadmium Plate over Nickel
Z1	Passivate

Metric dimensions (mm) are indicated in parentheses.

* Length tolerance is $\pm .250$ (12.7) for lengths up to 24 inches (619.6 mm). Length tolerance for longer lengths is \pm one percent (1%) of the length.