

PLEASE CHECK WWW.MOLEX.COM FOR LATEST PART INFORMATION

Part Number: [0190730227](#)
Status: **Active**
Description: Avikrimp™ Ring Tongue Terminal for 10 to 12 AWG Wire, Stud Size 10, Length 34.59mm (1.362")

Documents:

[Drawing \(PDF\)](#) [RoHS Certificate of Compliance \(PDF\)](#)

Agency Certification

CSA LR18689
 UL E32244

General

Product Family Ring and Spade Terminals
 Series [19073](#)
 Crimp Quality Equipment Yes
 Mil-Spec N/A
 Product Name Avikrimp™
 Type Ring

Physical

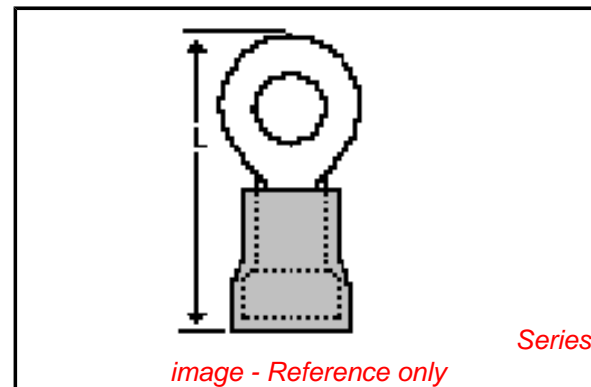
Barrel Type Closed
 Flammability 94V-0
 Insulation Nylon (PA)
 Material - Plating Mating Tin
 Packaging Type Bag
 Plating min: Mating (µin) 100
 Plating min: Mating (µm) 2.5
 Plating min: Termination (µin) 100
 Plating min: Termination (µm) 2.5
 Stud Size 10 (M5)
 Wire Insulation Diameter 5.72mm (.225") max.
 Wire Size AWG 10, 12
 Wire Size mm² 3.30 - 5.00

Material Info

Old Part Number C-840-10

Reference - Drawing Numbers

Sales Drawing SD-19073-008



EU RoHS

ELV and RoHS Compliant
REACH SVHC
 Not Reviewed
Halogen-Free Status
 Not Reviewed

China RoHS



Need more information on product environmental compliance?

Email productcompliance@molex.com
 For a multiple part number RoHS Certificate of Compliance, [click here](#)

Please visit the [Contact Us](#) section for any non-product compliance questions.

Search Parts in this Series

[19073Series](#)

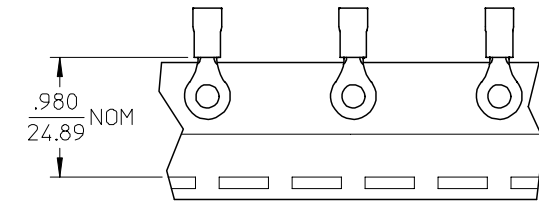
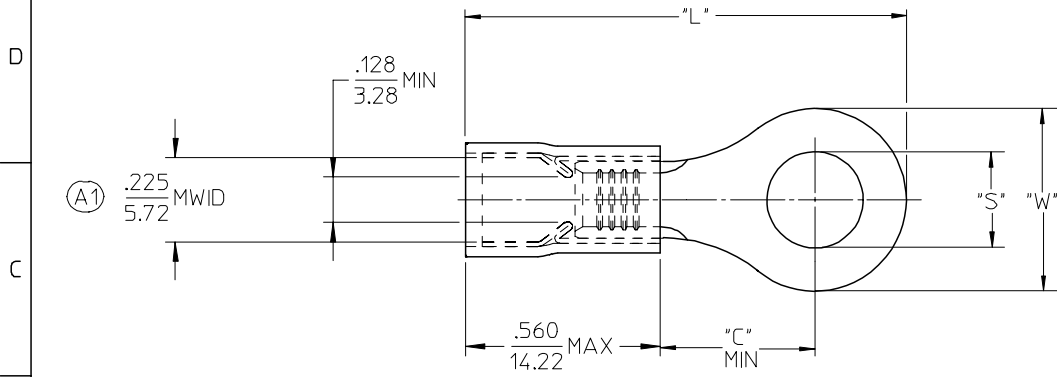
Application Tooling | [FAQ](#)

Tooling specifications and manuals are found by selecting the products below. Crimp Height Specifications are then contained in the Application Tooling Specification document.

Global

| Description | Product # |
|--|----------------------------|
| Hand Crimp Tool | 0640010100 |
| Hand Crimp Tool | 0640011500 |
| Crimp Head for the AT-200™ Pneumatic Hand Tool | 0640050100 |

| MATERIAL NUMBER | ENG. NO. | MATERIAL NUMBER TAPE MOUNTED | ENG. NO. | STUD SIZE | "S" ±.005 | "W" MAX | "C" MIN | "L" MAX |
|-----------------|----------|------------------------------|-----------|-----------|-------------|--------------|--------------|---------------|
| 190730179 | C-830-10 | 190730180 | C-830-10T | 10 | .198 (5.03) | .540 (13.72) | .393 (9.98) | 1.258 (31.95) |
| 190730188 | C-830-14 | 190730190 | C-830-14T | 14 | .265 (6.73) | | | |
| 190730200 | C-830-56 | 190730201 | C-830-56T | 56 | .328 (8.33) | | | |
| 190730212 | C-836-04 | 190730213 | C-836-04T | 04 | .119 (3.02) | .292 (7.42) | .306 (7.77) | 1.047 (26.59) |
| 190730216 | C-836-06 | 190730218 | C-836-06T | 06 | .146 (3.71) | | | |
| 190730222 | C-836-08 | 190730224 | C-836-08T | 08 | .173 (4.39) | .602 (15.29) | .466 (11.83) | 1.362 (34.59) |
| 190730227 | C-840-10 | 190730228 | C-840-10T | 10 | .198 (5.03) | | | |
| 190730231 | C-840-14 | 190730232 | C-840-14T | 14 | .265 (6.73) | | | |
| 190730236 | C-840-38 | 190730237 | C-840-38T | 38 | .390 (9.91) | | | |
| 190730242 | C-840-56 | 190730243 | C-840-56T | 56 | .328 (8.33) | | | |



SALES DRAWING

- NOTES:
- MATERIAL: COPPER (.040/1.02) THICK. PLATING: ELECTROPLATE TIN
 - FERRULE: TIN PLATED BRASS
 - INSULATION: YELLOW NYLON
 - MWID=MAXIMUM WIRE INSULATION DIA.
 - ALL DIMENSIONS IN INCHES (MM).
 - WIRE SIZE: 12-10 AWG
4.0-6.0 MM²

| EC NO: ETC2006-0152 DRWN: ASAYDEH 2005/12/12 CHKD: JLOMASTR 2005/12/13 APPR: RDEROSS 2005/12/14 | QUALITY SYMBOLS | GENERAL TOLERANCES (UNLESS SPECIFIED) | SCALE 4:1 | DESIGN UNITS INCH | THIRD ANGLE PROJECTION | REVISE ON CAD ONLY | | | | | | | | | | | | | | | |
|--|---|--|---------------------|-------------------|------------------------|---------------------------|-------|-------|----------|-------|--------|----------|--------|-------|---------|--------|-------|--------------------------|-------|---|--|
| | DESCRIPTION ▼ - 0 ▽ - 0 | <table border="1"> <thead> <tr> <th></th> <th>mm</th> <th>INCH</th> </tr> </thead> <tbody> <tr> <td>4 PLACES</td> <td>± ---</td> <td>± ---</td> </tr> <tr> <td>3 PLACES</td> <td>± ---</td> <td>± .005</td> </tr> <tr> <td>2 PLACES</td> <td>± 0.13</td> <td>± .01</td> </tr> <tr> <td>1 PLACE</td> <td>± 0.25</td> <td>± ---</td> </tr> </tbody> </table> | | mm | INCH | 4 PLACES | ± --- | ± --- | 3 PLACES | ± --- | ± .005 | 2 PLACES | ± 0.13 | ± .01 | 1 PLACE | ± 0.25 | ± --- | DIMENSION STYLE IN/MM | TITLE | RING TONGUE TERMINAL AVIKRIMP, 800-SERIES 12-10 AWG | |
| | | | mm | INCH | | | | | | | | | | | | | | | | | |
| | | 4 PLACES | ± --- | ± --- | | | | | | | | | | | | | | | | | |
| 3 PLACES | ± --- | ± .005 | | | | | | | | | | | | | | | | | | | |
| 2 PLACES | ± 0.13 | ± .01 | | | | | | | | | | | | | | | | | | | |
| 1 PLACE | ± 0.25 | ± --- | | | | | | | | | | | | | | | | | | | |
| DRAFT WHERE APPLICABLE | APPROVED BY RDEROSS | DATE 03/12/15 | CHECKED BY SBEITZEL | DATE 03/12/15 | MATERIAL NO. SEE CHART | DOCUMENT NO. SD-19073-008 | | | | | | | | | | | | | | | |
| MUST REMAIN WITHIN DIMENSIONS | THIS DRAWING CONTAINS INFORMATION THAT IS PROPRIETARY TO MOLEX INCORPORATED AND SHOULD NOT BE USED WITHOUT WRITTEN PERMISSION | | SHEET NO. 1 OF 1 | | | | | | | | | | | | | | | | | | |