

PLEASE CHECK WWW.MOLEX.COM FOR LATEST PART INFORMATION

Part Number: [0191600195](#)
Status: **Active**
Description: Wing Lock Connector, Green, for 10-14 AWG Wire

Agency Certification

UL E198234

General

Product Family Splices
 Series [19160](#)
 Crimp Quality Equipment Yes
 Mil-Spec N/A
 Product Name Wing Lock

Physical

Barrel Type Closed
 Flammability 94V-2
 Insulation Nylon (PA)
 Packaging Type Bag
 Temperature Range - Operating 105°C
 Wire Insulation Diameter 12.2mm (.48") max
 Wire Size AWG 10, 12, 14
 Wire Size mm² 2.60 - 6.60

Electrical

Voltage - Maximum 600V

Material Info

Old Part Number WL-GRN

Reference - Drawing Numbers

Sales Drawing SD-19160-002

EU RoHS

**ELV and RoHS
Compliant**

REACH SVHC

Not Reviewed

Halogen-Free

Status

Not Reviewed

China RoHS



**Need more information on product
environmental compliance?**

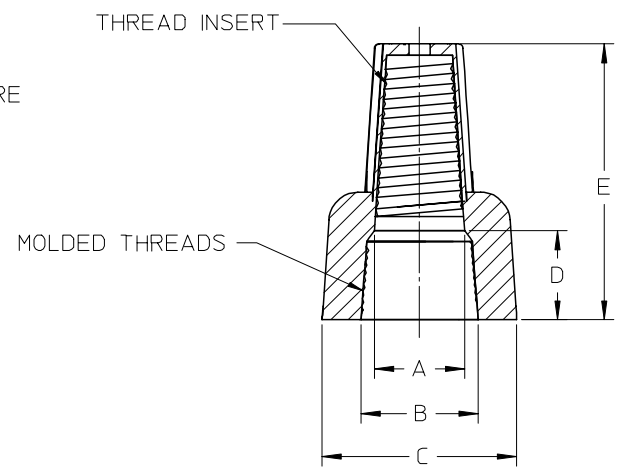
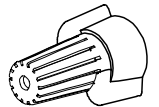
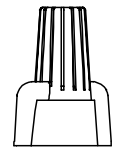
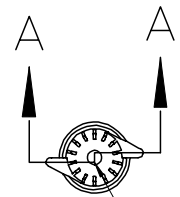
Email productcompliance@molex.com
 For a multiple part number RoHS Certificate of
 Compliance, [click here](#)

Please visit the [Contact Us](#) section for any
 non-product compliance questions.

Search Parts in this Series
[19160Series](#)

19160

10	9	8	7	6	5	4	3	2	1	
MATERIAL NUMBER	ENGINEERING NUMBER	COLOR	WIRE RANGE	WIRE RANGE MIN.	WIRE RANGE MAX.	DIM A	DIM B	DIM C	DIM D	DIM E
191600195	WL-GRN	GREEN	14-10	2#14	3#12 & 1#14	.33/8.4	.48/12.2	.80/20.3	.37/9.4	1.13/28.7



SECTION A-A
SCALE 2:1

REF NOTES:
 1.) MOLEX UL FILE NO.: E198234
 2.) MOLEX CSA FILE NO.: PENDING

(B)

EC NO: DRWN: ASAYDEH 2005/11/03 CHKD: 2005/11/15 APPR: RDEROSS 2005/11/21	QUALITY SYMBOLS ▽ = 0 ▽ = 0	GENERAL TOLERANCES (UNLESS SPECIFIED)		SCALE 1:1	DESIGN UNITS INCH	THIRD ANGLE PROJECTION	REVISE ON CAD ONLY	
		4 PLACES ± --- ± ---	3 PLACES ± --- ± ---	DIMENSION STYLE IN/MM		TITLE WIRE NUT CONNECTORS GROUNDING TYPE		
		2 PLACES ± --- ± .02	1 PLACE ± 0.5 ± ---	DRAWN BY B.RUPERT	DATE 11/07/03	MOLEX MOLEX INCORPORATED		
		ANGULAR ± 1 °		CHECKED BY J.PAWLIC	DATE 11/08/03	MATERIAL NO. SEE CHART	DOCUMENT NO. SD-19160-002	SHEET NO. 1 OF 1
DRAFT WHERE APPLICABLE MUST REMAIN WITHIN DIMENSIONS		APPROVED BY R.DEROSS		DATE 11/09/03	THIS DRAWING CONTAINS INFORMATION THAT IS PROPRIETARY TO MOLEX INCORPORATED AND SHOULD NOT BE USED WITHOUT WRITTEN PERMISSION			