

PLEASE CHECK WWW.MOLEX.COM FOR LATEST PART INFORMATION

Part Number: [0353010310](#)
Status: **Active**
Description: 2.50mm (.098") Pitch SPOX™ Wire-to-Board Header, Vertical, Shrouded, Tube Packaged Version of 5267, 3 Circuits, Tin (Sn) Plating

Documents:

[3D Model](#) [Product Specification PS-35301-001 \(PDF\)](#)
[Drawing \(PDF\)](#) [RoHS Certificate of Compliance \(PDF\)](#)

Agency Certification

CSA LR 19980
 UL E29179

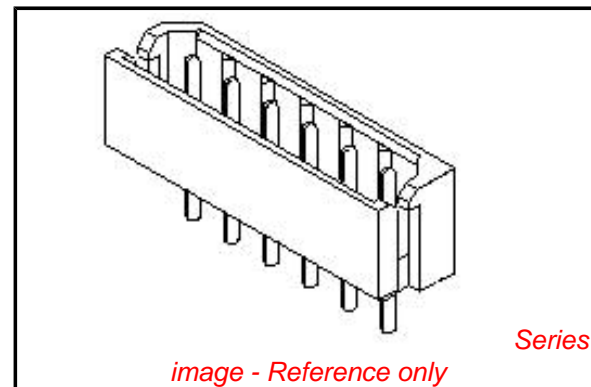
General

Product Family PCB Headers
 Series [35301](#)
 Application Wire-to-Board
 Product Name SPOX™

Physical

Breakaway No
 Circuits (Loaded) 3
 Circuits (maximum) 3
 Color - Resin Natural
 Durability (mating cycles max) 30
 First Mate / Last Break No
 Flammability 94V-0
 Glow-Wire Compliant No
 Guide to Mating Part No
 Keying to Mating Part None
 Lock to Mating Part Yes
 Material - Plating Mating Tin
 Material - Plating Termination Tin
 Material - Resin Nylon
 Number of Rows 1
 Orientation Vertical
 PCB Locator No
 PCB Retention None
 PCB Thickness Recommended (in) 0.062 In
 PCB Thickness Recommended (mm) 1.60 mm
 Packaging Type Tube
 Pitch - Mating Interface (in) 0.098 In
 Pitch - Mating Interface (mm) 2.50 mm
 Plating min: Mating (µin) 160
 Plating min: Mating (µm) 4
 Plating min: Termination (µin) 160
 Plating min: Termination (µm) 4
 Polarized to Mating Part Yes
 Polarized to PCB No
 Shrouded Partial
 Stackable No
 Surface Mount Compatible (SMC) No
 Temperature Range - Operating -40°C to +105°C
 Termination Interface: Style Through Hole

Electrical



EU RoHS

ELV and RoHS Compliant
REACH SVHC
 Not Reviewed
Halogen-Free Status

China RoHS



Not Halogen-Free

Need more information on product environmental compliance?

Email productcompliance@molex.com
 For a multiple part number RoHS Certificate of Compliance, [click here](#)

Please visit the [Contact Us](#) section for any non-product compliance questions.

Search Parts in this Series

[35301Series](#)

Mates With

[5264](#) SPOX™ Wire-to-Board Crimp Housing. [42219](#) SPOX™ IDT Receptacle Housing

Current - Maximum per Contact
Voltage - Maximum

3A
250V

Material Info

Reference - Drawing Numbers

Product Specification
Sales Drawing

PS-35301-001
SD-35301-004, SD-35301-010

This document was generated on 04/15/2010

PLEASE CHECK WWW.MOLEX.COM FOR LATEST PART INFORMATION

PROJECT NO.
 SIMILAR ITEM
 DWG. NO. SD-35301-004

5

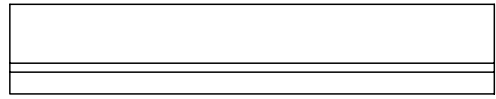
4

3

2

1

VINYL →
(MOLEX LOGO SIDE)



← STOPPER

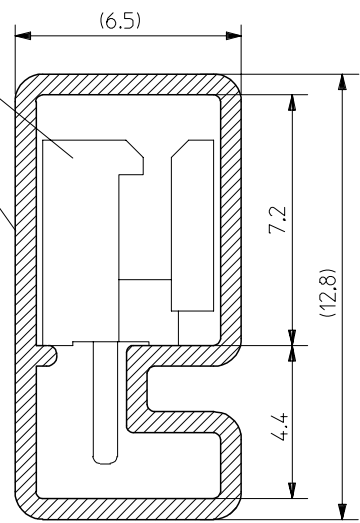
VIEW V

NOTES

1. PACKING TYPE : VINYL & STOPPER LOCKING TYPE
2. THICKNESS : 0.6 t
3. LENGTH : 550 mm

5267-NA SERIES

35900-0014



LEGEND

35301- ** 1 *

COLOR : 0 --- NATURAL
 1 --- BLACK
 2 --- RED
 3 --- YELLOW
 4 --- BLUE

CKT (02 , 03 , 04 ...)

15	35301-151*	35301151*	5267-15A-**	10
14	-141*	35301141*	-14A-**	10
13	-131*	35301131*	-13A-**	15
12	-121*	35301121*	-12A-**	15
11	-111*	35301111*	-11A-**	15
10	-101*	35301101*	-10A-**	15
9	-091*	35301091*	-09A-**	20
8	-081*	35301081*	-08A-**	20
7	-071*	35301071*	-07A-**	25
6	-061*	35301061*	-06A-**	30
5	-051*	35301051*	-05A-**	35
4	-041*	35301041*	-04A-**	40
3	-031*	35301031*	-03A-**	50
2	35301-021*	35301021*	5267-02A-**	70
CKTS	ENG NO.	MAT'L NO.	APPLIED CONNECTOR	Q'TY/TUBE

NEW RELEASED EC NO. KOR2006-0070 DRWN: K.S.KIM (051209) CH'K: Y.Soo.KIM APPR: S.H.CHOI	DESCRIPTION MAJOR CRITICAL 	GENERAL TOLERANCES: (UNLESS SPECIFIED)		SCALE NONE	DESIGN UNITS <input checked="" type="checkbox"/> mm <input type="checkbox"/> INCH	<input type="checkbox"/> THIRD ANGLE <input checked="" type="checkbox"/> PROJECTION	DIMENSIONS: <input type="checkbox"/> mm <input type="checkbox"/> INCH <input checked="" type="checkbox"/> mm ONLY	SHT REV
		4 PLACES ±0. ±.	DRAWN BY & DATE K.S.KIM (051209)	TITLE: TUBE PACKAGED FOR 5267-NA SERIES				
		3 PLACES ±0. ±.	CHECKED BY & DATE Y.Soo.KIM					
		2 PLACES ±0. ±.	APPROVED BY & DATE S.H.CHOI	MOLEX INCORPORATED				
1 PLACE ±0.4 ±.	CAD FILENAME	MATERIAL NO. SEE TABLE	DRAWING NO. SD-35301-004	SHEET NO. 1 OF 1				
ANGULAR: ± 3 °		THIS DRAWING CONTAINS INFORMATION THAT IS PROPRIETARY TO MOLEX INCORPORATED AND SHOULD NOT BE USED WITHOUT WRITTEN PERMISSION.				SIZE A		
DRAFT WHERE APPLICABLE MUST REMAIN WITHIN DIMENSIONS						MX-A4		

5

4

3

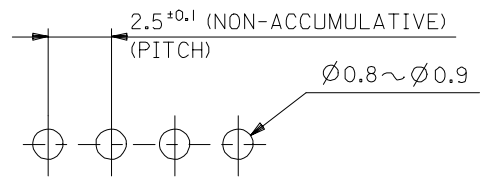
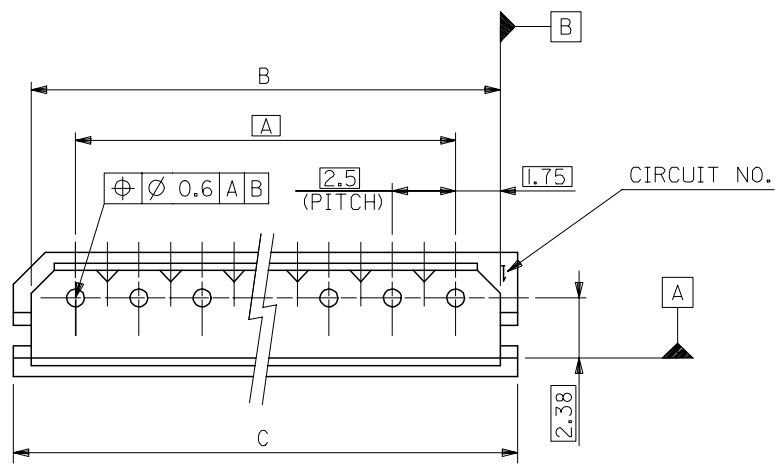
2

MX-A4

DWG. NO.
 SIMILAR ITEM
 PROJECT NO.
 C
 B
 DO NOT SCALE DRAWING DIMENSION IN METRIC

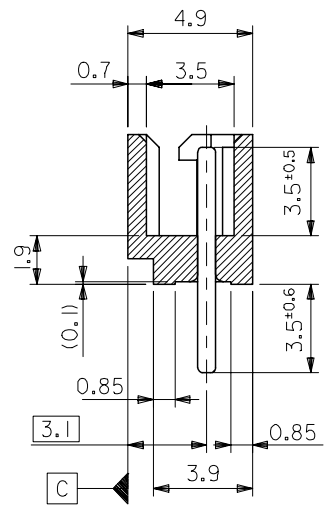
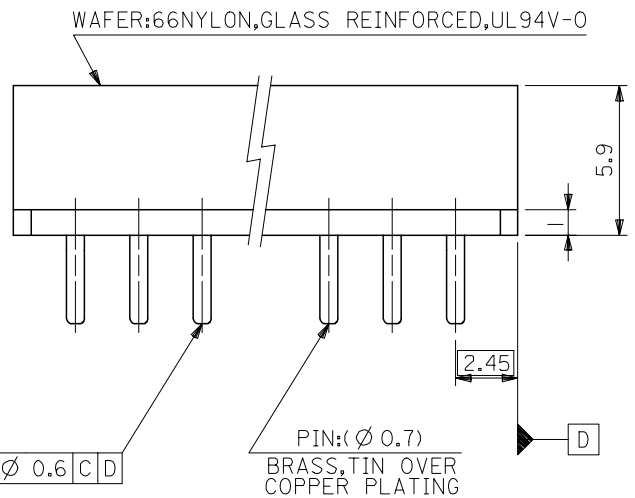
8 7 6 5 4 3 2 1

F
 E
 D
 C
 B
 A



RECOMMENDED P.C. BOARD HOLE DIM.

NOTES:
 1. MATES WITH • 5264 SERIES.



39.9	38.5	35	22-03-5155	5267-15A	35301-1510	15
37.4	36	32.5	-5145	-14A	35301-1410	14
34.9	33.5	30	-5135	-13A	35301-1310	13
32.4	31	27.5	-5125	-12A	35301-1210	12
29.9	28.5	25	-5115	-11A	35301-1110	11
27.4	26	22.5	-5105	-10A	35301-1010	10
24.9	23.5	20	-5095	-09A	35301-0910	9
22.4	21	17.5	-5085	-08A	35301-0810	8
19.9	18.5	15	-5075	-07A	35301-0710	7
17.4	16	12.5	-5065	-06A	35301-0610	6
14.9	13.5	10	-5055	-05A	35301-0510	5
12.4	11	7.5	-5045	-04A	35301-0410	4
9.9	8.5	5	-5035	-03A	35301-0310	3
7.4	6	2.5	22-03-5025	5267-02A	35301-0210	2
C	B	A	EDP NO.	ENG NO.	ENG NO.	NO OF CKT.
APPLIED CONNECTOR						

ANGLE	±3°
30 OVER	±0.3
10 OVER 30 UNDER	±0.25
10 UNDER	±0.2
GENERAL TOLERANCES	

NEW RELEASED
 ECN NO. KOR2006-0082
 DRWN: K.S.KIM (060102)
 CHK: Y.Soo.KIM
 APPR: SH.CHOI

QUALITY SYMBOLS
 MAJOR
 CRITICAL
 DESCRIPTION
 REV

GENERAL TOLERANCES:
 (UNLESS SPECIFIED)
 mm INCH
 4 PLACES ±0. ±-
 3 PLACES ±0. ±-
 2 PLACES ±0. ±-
 1 PLACE ±0. ±-
 ANGULAR: ± °
 DRAFT WHERE APPLICABLE MUST REMAIN WITHIN DIMENSIONS

SCALE 5:1
 DESIGN UNITS mm INCH
 DRAWN BY & DATE K.S.KIM (060102)
 CHECKED BY & DATE Y.Soo.KIM
 APPROVED BY & DATE SH.CHOI
 CAD FILENAME

DIMENSIONS: mm INCH mm ONLY
 THIRD ANGLE PROJECTION
 TITLE: 2.5 LOW PROFILE WAFER ASS'Y
 MOLEX INCORPORATED
 MATERIAL NO. DRAWING NO. SD-35301-010 SHEET NO. 1 OF 1
 THIS DRAWING CONTAINS INFORMATION THAT IS PROPRIETARY TO MOLEX INCORPORATED AND SHOULD NOT BE USED WITHOUT WRITTEN PERMISSION.
 SIZE B
 KOREA MX-A3