

PLEASE CHECK WWW.MOLEX.COM FOR LATEST PART INFORMATION

Part Number: **5019203001**
Status: **Active**
Overview: slimstack_050mm_020_pitch
Description: 0.50mm (.020") Pitch SlimStack™ Board-to-Board Plug, SMT, Dual Row, Vertical Stacking, 4.00mm (.157") Stack Height, Without Solder Tabs, 30 Circuits

Documents:

[3D Model](#) [Product Specification PS-52991-008 \(PDF\)](#)
[Drawing \(PDF\)](#) [RoHS Certificate of Compliance \(PDF\)](#)

General

Product Family	PCB Headers
Series	<u>501920</u>
Application	Board-to-Board
Overview	<u>slimstack_050mm_020_pitch</u>
Product Name	SlimStack™

Physical

Breakaway	No
Circuits (Loaded)	30
Color - Resin	Black
Durability (mating cycles max)	30
Glow-Wire Compliant	No
Guide to Mating Part	No
Keying to Mating Part	None
Lock to Mating Part	None
Mated Height (in)	0.157 In
Mated Height (mm)	4.00 mm
Material - Metal	Copper Alloy
Material - Plating Mating	Gold
Material - Plating Termination	Tin
Number of Rows	2
Orientation	Vertical
PCB Locator	No
PCB Retention	None
Packaging Type	Embossed Tape on Reel
Pitch - Mating Interface (in)	0.020 In
Pitch - Mating Interface (mm)	0.50 mm
Polarized to Mating Part	No
Polarized to PCB	No
Stackable	No
Surface Mount Compatible (SMC)	Yes
Temperature Range - Operating	-40°C to +105°C
Termination Interface: Style	Surface Mount

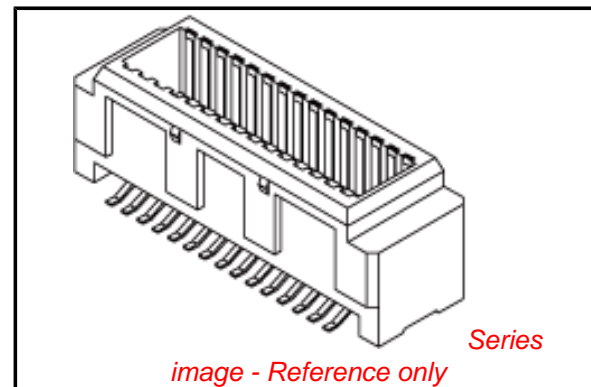
Electrical

Current - Maximum per Contact	0.5A
Voltage - Maximum	50V AC (RMS)/DC

Material Info

Reference - Drawing Numbers

Product Specification	PS-52991-008, RPS-52991-015
Sales Drawing	SD-501920-001, SD-501920-002



EU RoHS

ELV and RoHS Compliant
REACH SVHC
 Not Reviewed
Halogen-Free
Status
Not Reviewed

China RoHS



Need more information on product environmental compliance?

Email productcompliance@molex.com
 For a multiple part number RoHS Certificate of Compliance, [click here](#)

Please visit the [Contact Us](#) section for any non-product compliance questions.

Search Parts in this Series

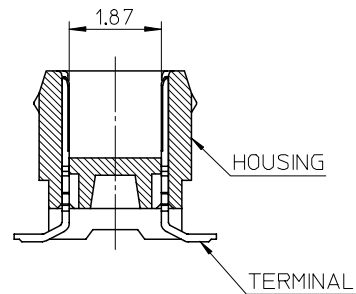
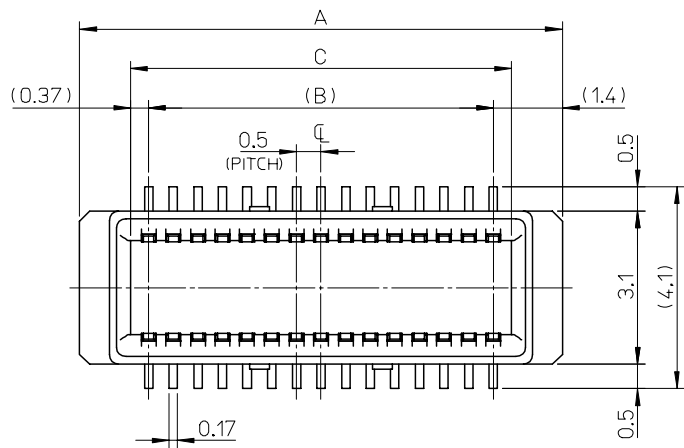
[501920Series](#)

Mates With

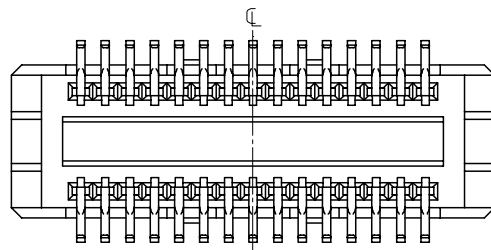
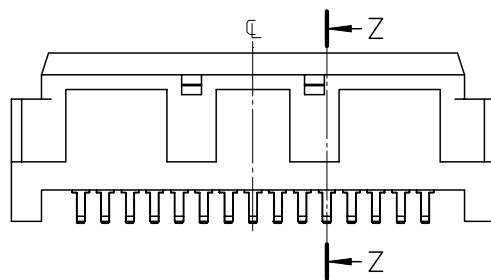
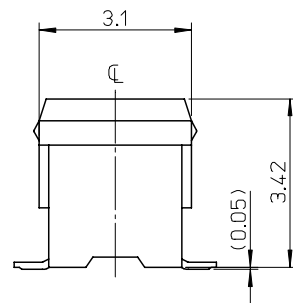
SlimStack™ Receptacle [52991](#) , [54167](#)

This document was generated on 05/26/2010

PLEASE CHECK WWW.MOLEX.COM FOR LATEST PART INFORMATION



SECTION Z-Z

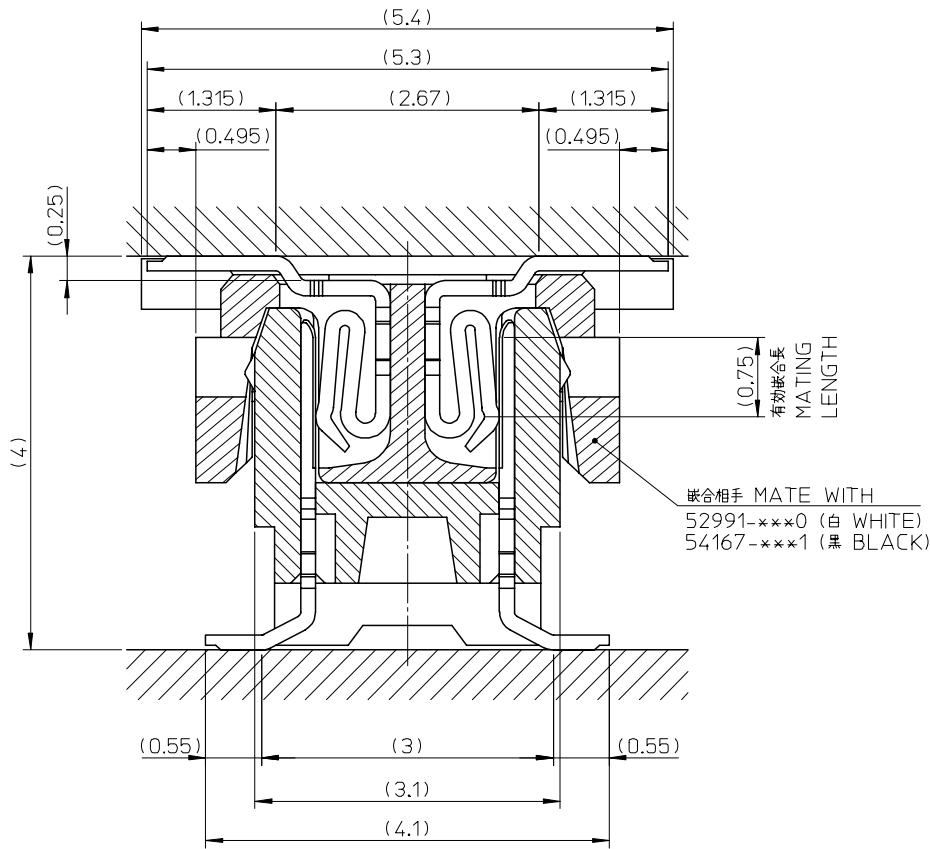


NOTES

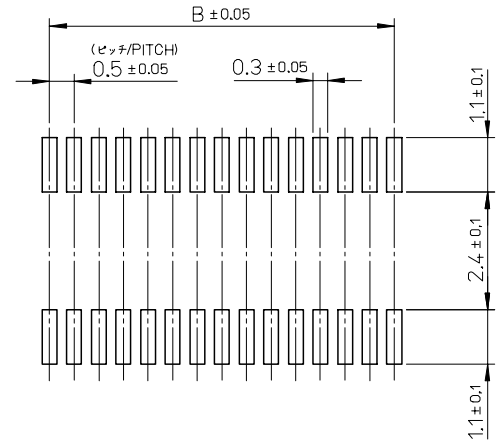
- 材質
MATERIAL
ハウジング：LCP(液晶ポリマー)、ガラス充填、黒色、UL94V-0
HOUSING : GLASS FILLED LIQUID CRYSTAL POLYMER ,BLACK ,UL94V-0
ターミナル：銅合金 (t=0.15)
TERMINAL : COPPER ALLOY (t=0.15)
- メッキ仕様
PLATING
ターミナル
TERMINAL
接点部：金メッキ
CONTACT AREA : GOLD
半田付け部：錫メッキ
SOLDER TAIL AREA : TIN
下地メッキ：ニッケルメッキ
UNDER PLATING : NICKEL
- テール平坦度：0.1 MAX.
COPLANARITY : 0.1 MAXIMUM
- ELV AND RoHS COMPLIANT.

10.24	9.5	12.3	501920-4001	501920-4009	40
7.74	7.0	9.8	501920-3001	501920-3009	30
C	B	A	エンボス梱包 EMBOSSSED TAPE PACKAGING	製品番号 MATERIAL NO.	CIRCUIT

REVISED EC NO: J2007-3102 DRWN: A0YAGI 2007/05/24 CHKD: M SOGAYA 2007/05/25 APPR: NUKITA 2007/05/25	GENERAL TOLERANCES (UNLESS SPECIFIED)		DIMENSION STYLE MM ONLY		SCALE 10:1	DESIGN UNITS METRIC	THIRD ANGLE PROJECTION
	10 UNDER	±0.2	DRAWN BY M. ISOGAYA	DATE 2005/08/17	TITLE 0.5 PITCH B/B CONN. PLUG HSG ASSY		
	10 OVER 30 UNDER	±0.25	CHECKED BY T. HIRATA	DATE 2005/08/17			
	30 OVER	±0.3	APPROVED BY M. SASAO	DATE 2005/08/17			
	ANGULAR	±1 °	MATERIAL NO.		DOCUMENT NO. SD-501920-001		SHEET NO. 1 OF 2
DRAFT WHERE APPLICABLE MUST REMAIN WITHIN DIMENSIONS		SEE TABLE		MOLEX INCORPORATED			
THIS DRAWING CONTAINS INFORMATION THAT IS PROPRIETARY TO MOLEX INCORPORATED AND SHOULD NOT BE USED WITHOUT WRITTEN PERMISSION							



(0.75) 有効嵌合長 MATING LENGTH
嵌合相手 MATE WITH
52991-***0 (白 WHITE)
54167-***1 (黒 BLACK)



参考基板レイアウト (マウント面)
RECOMMENDED P.C.BOARD
PATTERN DIMENSION (REF.)
(MOUNT AREA) (SCALE 10:1)

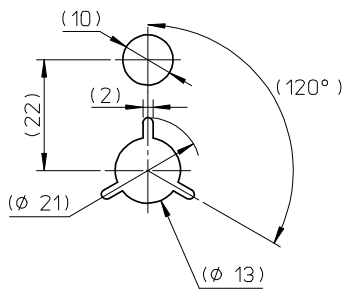
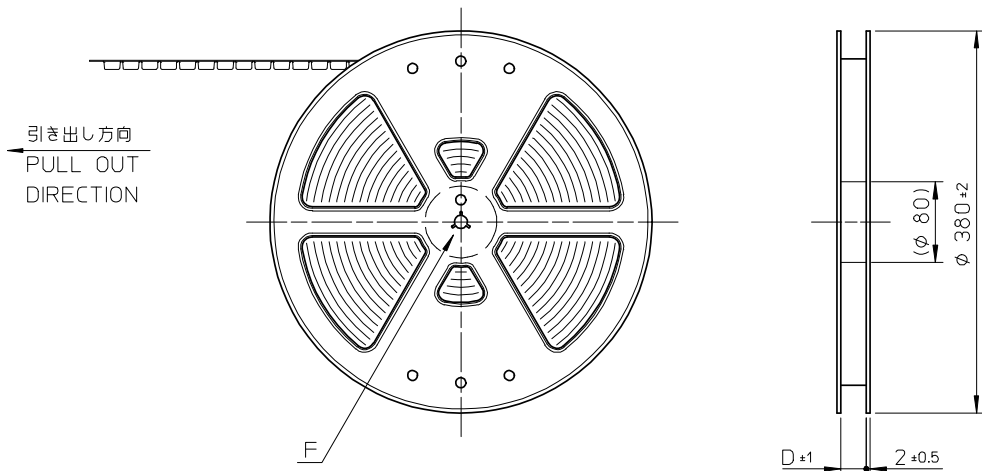
嵌合断面図(参考)
MATED DRAWING (REF.)

REVISED	DESCRIPTION
EC NO: J2007-3102	DRWN: A0YAGI 2007/05/24
CHK: MISOGAYA	APPR: NUKITA 2007/05/25
DATE	DATE

GENERAL TOLERANCES (UNLESS SPECIFIED)	
10 UNDER	± 0.2
10 OVER 30 UNDER	± 0.25
30 OVER	± 0.3
ANGULAR	± 1 °
DRAFT WHERE APPLICABLE MUST REMAIN WITHIN DIMENSIONS	

DIMENSION STYLE	
MM ONLY	
DRAWN BY	DATE
M. ISOGAYA	2005/08/17
CHECKED BY	DATE
T. HIRATA	2005/08/17
APPROVED BY	DATE
M. SASAO	2005/08/17
MATERIAL NO.	
SEE SHEET 1	

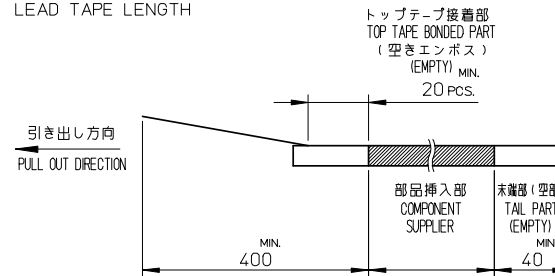
501920-**09		MODEL NO.
SCALE	DESIGN UNITS	THIRD ANGLE PROJECTION
20:1	METRIC	
TITLE		
0.5 PITCH B/B CONN. PLUG HSG ASSY		
MOLEX INCORPORATED		
DOCUMENT NO.		SHEET NO.
SD-501920-001		2 OF 2
THIS DRAWING CONTAINS INFORMATION THAT IS PROPRIETARY TO MOLEX INCORPORATED AND SHOULD NOT BE USED WITHOUT WRITTEN PERMISSION		



DETAIL F

NOTES

- 製品詳細寸法については、製品単体図面を御参照下さい。
For detail of connector dimensions, please see the drawing of connector itself (not packaged)
- 梱包数量 : 1500 個/リール
NUMBER OF CONNECTORS : 1500 PCS/REEL
- リードテープ長さ
LEAD TAPE LENGTH

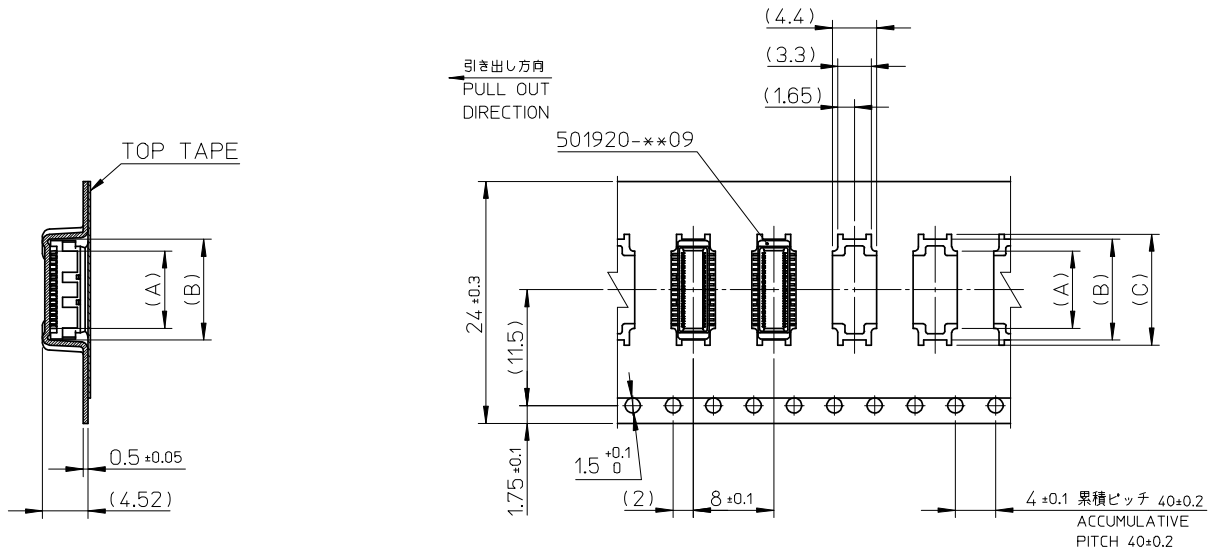


- トップテープの剥離強度 : 0.1N ~ 1.3N (10gf~130gf)
(剥離方向は下図参照)
尚、本規格値は、出荷時に適用。(但し、輸送時に剥離が発生しない事。)
PEELING OFF FORCE OF TOP TAPE 0.1N~1.3N (10gf~130gf)
(PEELING DIRECTION AS SHOWN IN FOLLOWING FIG.)
THIS REQUIREMENT SHOULD BE APPLIED AT SHIPMENT.
(PEEL OFF SHOULD NOT BE ALLOWED, DURING TRANSPORTATION.)



- 材料
キャリアテープ : ポリプロピレン
トップテープ : PET ,PE ,PEF
リール : ポリスチレン(PS) <リサイクル材を含む>
MATERIAL
CARRIER TAPE : POLYPROPYLENE
TOP TAPE : PET ,PE ,PEF
REEL : POLYSTYRENE(PS) <RECYCLE MATERIAL CONTAINED>
- ELV AND RoHS COMPLIANT.

REVISED EC NO: J2008-2863 DRWN:TKAHO 2008/01/29 CHKD:MSASAO 2008/01/29 APPR:MSASAO 2008/02/05	DESCRIPTION	GENERAL TOLERANCES (UNLESS SPECIFIED)		DIMENSION STYLE MM ONLY		501920-**-01		MODEL NO.		
		10 UNDER ±0.2		DRAWN BY DATE		SCALE	DESIGN UNITS	THIRD ANGLE PROJECTION		
		10 OVER 30 UNDER ±0.25		M. ISOGAYA 2005/08/18		#	METRIC	EMBSTP PKG FOR 0.5 PITCH B/B CONN. PLUG HSG ASSY		
		30 OVER ±0.3		T. HIRATA 2005/08/18		TITLE				
REV	DESCRIPTION	ANGULAR ±1 °		APPROVED BY DATE		MOLEX		MOLEX INCORPORATED		
		DRAFT WHERE APPLICABLE MUST REMAIN WITHIN DIMENSIONS		M. SASAO 2005/08/18		DOCUMENT NO.		SHEET NO.		
				SEE SHEET 2		SD-501920-002		1 OF 2		
				SIZE A3		THIS DRAWING CONTAINS INFORMATION THAT IS PROPRIETARY TO MOLEX INCORPORATED AND SHOULD NOT BE USED WITHOUT WRITTEN PERMISSION				



24mm幅キャリアテープ
24mm WIDTH CARRIER TAPE

24	25.4	16.0	15.0	12.67	501920-5001	50
		13.5	12.5	10.17	501920-4001	40
		11.0	10.0	7.67	501920-3001	30
キャリアテープ幅 CARRIER TAPE WIDTH	D	(C)	(B)	(A)	MATERIAL NO.	CIRCUIT

REVISED EC NO: J2008-2863 DRWN:TKAIHO 2008/01/29 CHKD:MSASAO 2008/01/29 APPR:MSASAO 2008/02/05 REV DESCRIPTION	GENERAL TOLERANCES (UNLESS SPECIFIED)		DIMENSION STYLE MM ONLY		SCALE //	DESIGN UNITS METRIC	THIRD ANGLE PROJECTION
	10 UNDER	±0.2	DRAWN BY M. ISOGAYA	DATE 2005/08/18	TITLE EMBSTP PKG FOR 0.5 PITCH B/B CONN. PLUG HSG ASSY		
	10 OVER 30 UNDER	±0.25	CHECKED BY T. HIRATA	DATE 2005/08/18	MOLEX INCORPORATED		
	30 OVER	±0.3	APPROVED BY M. SASAO	DATE 2005/08/18	DOCUMENT NO. SD-501920-002		
	ANGULAR ±1 ° DRAFT WHERE APPLICABLE MUST REMAIN WITHIN DIMENSIONS		MATERIAL NO. SEE TABLE		SHEET NO. 2 OF 2		