

# M37212M4/M8-XXXSP, M37212M6-XXXSP/FP M37212EFSP/FP

SINGLE-CHIP 8-BIT CMOS MICROCOMPUTER for VOLTAGE SYNTHESIZER  
with ON-SCREEN DISPLAY CONTROLLER

## 1. DESCRIPTION

The M37212M6-XXXSP/FP, M37212M4/M8-XXXSP are single-chip microcomputers designed with CMOS silicon gate technology. They have a OSD, I<sup>2</sup>C-BUS interface, and PWM, so it is useful for a channel selection system for TV.

The feature of the M37212EFSP/FP are similar to those of the M37212M6-XXXSP/FP except that these chips have a built-in PROM which can be written electrically. The differences between the M37212M6-XXXSP/FP and M37212M4/M8-XXXSP are the ROM size and the RAM size as shown below. Accordingly, the following descriptions will be for M37212M6-XXXSP/FP unless otherwise noted.

## 2. FEATURES

- Number of basic instructions ..... 71
- Memory size
  - ROM..... 16K bytes (M37212M4-XXXSP)
  - 24K bytes (M37212M6-XXXSP/FP)
  - 32K bytes (M37212M8-XXXSP)
  - 62K bytes (M37212EFSP/FP)
  - RAM ..... 320 bytes (M37212M4-XXXSP)
  - 384 bytes (M37212M6-XXXSP/FP)
  - 576 bytes (M37212M8-XXXSP)
  - 1280 bytes (M37212EFSP/FP)

(\*ROM correction memory included)
- The minimum instruction execution time  
..... 0.5 μs (at 8 MHz oscillation frequency)
- Power source voltage ..... 5 V ± 10 %
- Subroutine nesting  
maximum 96 levels (M37212M4/M8-XXXSP, M37212M6-XXXSP/FP)  
maximum 128 levels (M37212EFSP/FP)
- Interrupts ..... 14 types, 14 vectors
- 8-bit timers ..... 4
- Programmable I/O ports  
(Ports P0, P10-P14, P2, P30, P31, P40, P41) ..... 25
- Input ports (Ports P15-P17, P32-P37, P42) ..... 10
- Output ports (Ports P52-P55, P60-P63) ..... 8
- 12 V withstand ports ..... 12
- LED drive ports ..... 4
- Serial I/O ..... 8-bit X 1 channel
- Multi-master I<sup>2</sup>C-BUS interface ..... 1 (2 systems)
- A-D comparator (6-bit resolution) ..... 8 channels
- PWM output circuit ..... 14-bit X 1, 8-bit X 8
- Power dissipation ..... 165 mW  
(at 8 MHz oscillation frequency, V<sub>CC</sub>=5.5V, at OSD display)
- ROM correction function ..... 2 vectors  
**Note:** Only M37212M8-XXXSP and M37212EFSP/FP have ROM correction function.

- OSD function
  - Display characters ..... 24 characters X 2 lines  
(It is possible to display 3lines or more by software)
  - Kinds of characters ..... 256 kinds
  - Character display area ..... 12 X 16 dots
  - Kinds of character sizes ..... 3 kinds
  - Kinds of character colors ..... 8 colors (R, G, B)
  - Coloring unit ..... character, character background, raster
  - Display position .....  
Horizontal: 64 levels      Vertical: 128 levels
  - Attribute ..... border

## 3. APPLICATION

TV

**M37212M4/M8-XXXSP, M37212M6-XXXSP/FP  
M37212EFSP/FP**

SINGLE-CHIP 8-BIT CMOS MICROCOMPUTER for VOLTAGE SYNTHESIZER  
with ON-SCREEN DISPLAY CONTROLLER

**TABLE OF CONTENTS**

1. DESCRIPTION ..... 1

2. FEAUTURES ..... 1

3. APPLICATION ..... 1

4. PIN CONFIGURATION ..... 3

5. FUNCTIONAL BLOCK DIAGRAM ..... 5

6. PERFORMANCE OVERVIEW ..... 6

7. PIN DESCRIPTION ..... 8

8. FUNCTIONAL DESCRIPTION ..... 12

    8.1 CENTRAL PROCESSING UNIT (CPU) ..... 12

    8.2 MEMORY ..... 13

    8.3 INTERRUPTS ..... 19

    8.4 TIMERS ..... 24

    8.5 SERIAL I/O ..... 27

    8.6 MULTI-MASTER I<sup>2</sup>C-BUS INTERFACE ..... 31

    8.7 PWM OUTPUT CIRCUIT ..... 44

    8.8 A-D COMPARATOR ..... 49

    8.9 ROM CORRECTION FUNCTION ..... 51

    8.10 OSD FUNCTIONS ..... 52

        8.10.1 Display Position ..... 56

        8.10.2 Character Size ..... 60

        8.10.3 Clock for OSD ..... 62

        8.10.4 Memory for OSD ..... 63

        8.10.5 Color Register ..... 66

        8.10.6 Border ..... 68

        8.10.7 Multiline Display ..... 69

        8.10.8 OSD Output Pin Control ..... 70

        8.10.9 Raster Coloring Function ..... 71

    8.11. SOFTWARE RUNAWAY DETECT FUNCTION ..... 72

    8.12. RESET CIRCUIT ..... 73

    8.13. CLOCK GENERATING CIRCUIT ..... 74

    8.14. DISPLAY OSCILLATION CIRCUIT ..... 75

    8.15. AUTO-CLEAR CIRCUIT ..... 75

    8.16. ADDRESSING MODE ..... 75

    8.17. MACHINE INSTRUCTIONS ..... 75

9. PROGRAMMING NOTES ..... 75

10. ABSOLUTE MAXIMUM RATINGS ..... 76

11. RECOMMENDED OPERATING CONDITIONS ..... 76

12. ELECTRIC CHARACTERISTICS ..... 77

13. A-D COMPARISON CHARACTERISTICS ..... 79

14. MULTI-MASTER I<sup>2</sup>C-BUS BUS LINE CHARACTERISTICS ..... 79

15. PROM PROGRAMMING METHOD ..... 80

16. DATA REQUIRED FOR MASK ORDERS ..... 81

17. MASK CONFIRMATION FORM ..... 82

18. MARK SPECIFICATION FORM ..... 91

19. ONE TIME PROM VERSIONS M37212EFSP/FP MARKING .... 93

20. APPENDIX ..... 94

21. PACKAGE OUTLINE ..... 117

# M37212M4/M8-XXXSP, M37212M6-XXXSP/FP M37212EFSP/FP

SINGLE-CHIP 8-BIT CMOS MICROCOMPUTER for VOLTAGE SYNTHESIZER  
with ON-SCREEN DISPLAY CONTROLLER

## 4. PIN CONFIGURATION

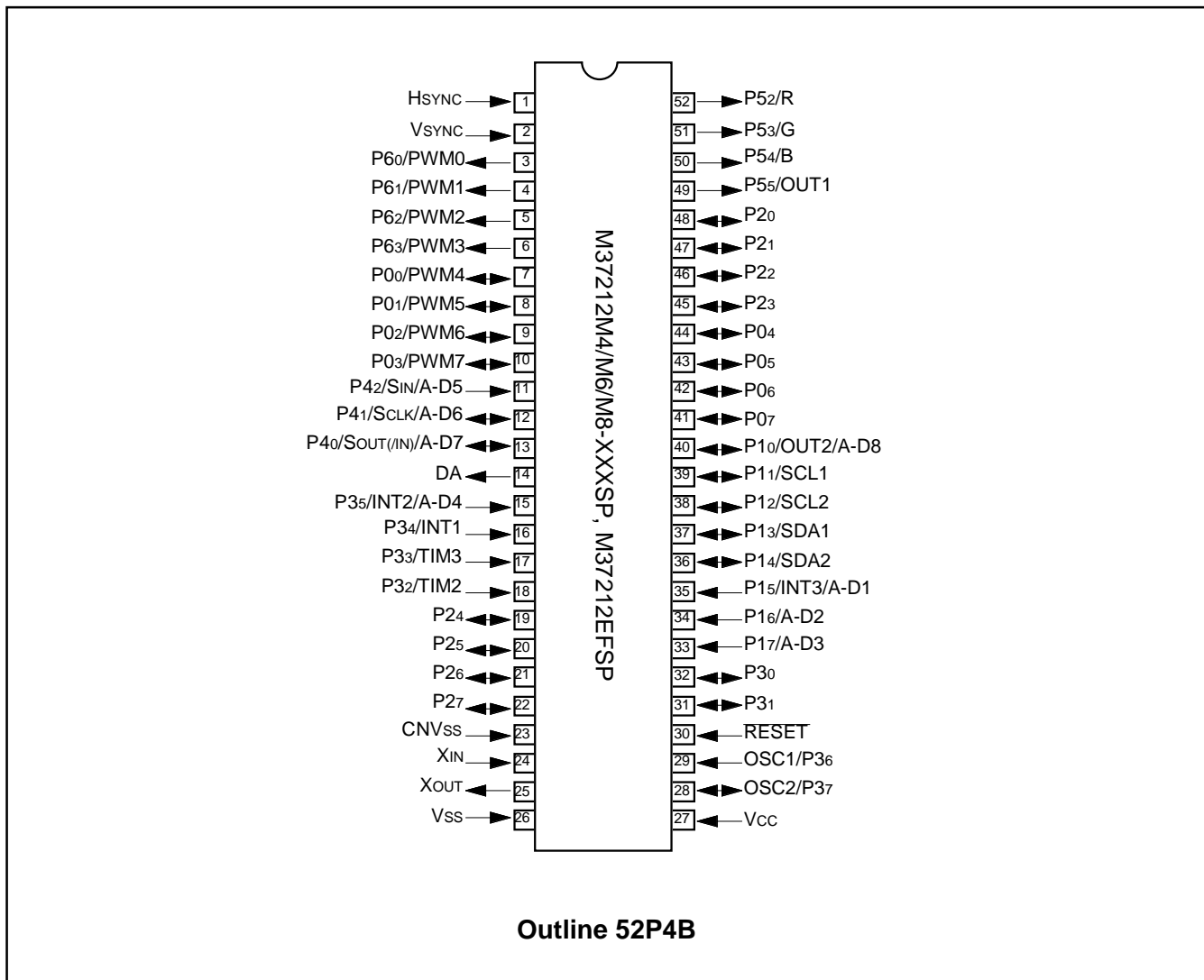


Fig. 4.1 Pin Configuration 1 (Top View)

# M37212M4/M8-XXXSP, M37212M6-XXXSP/FP M37212EFSP/FP

SINGLE-CHIP 8-BIT CMOS MICROCOMPUTER for VOLTAGE SYNTHESIZER  
with ON-SCREEN DISPLAY CONTROLLER

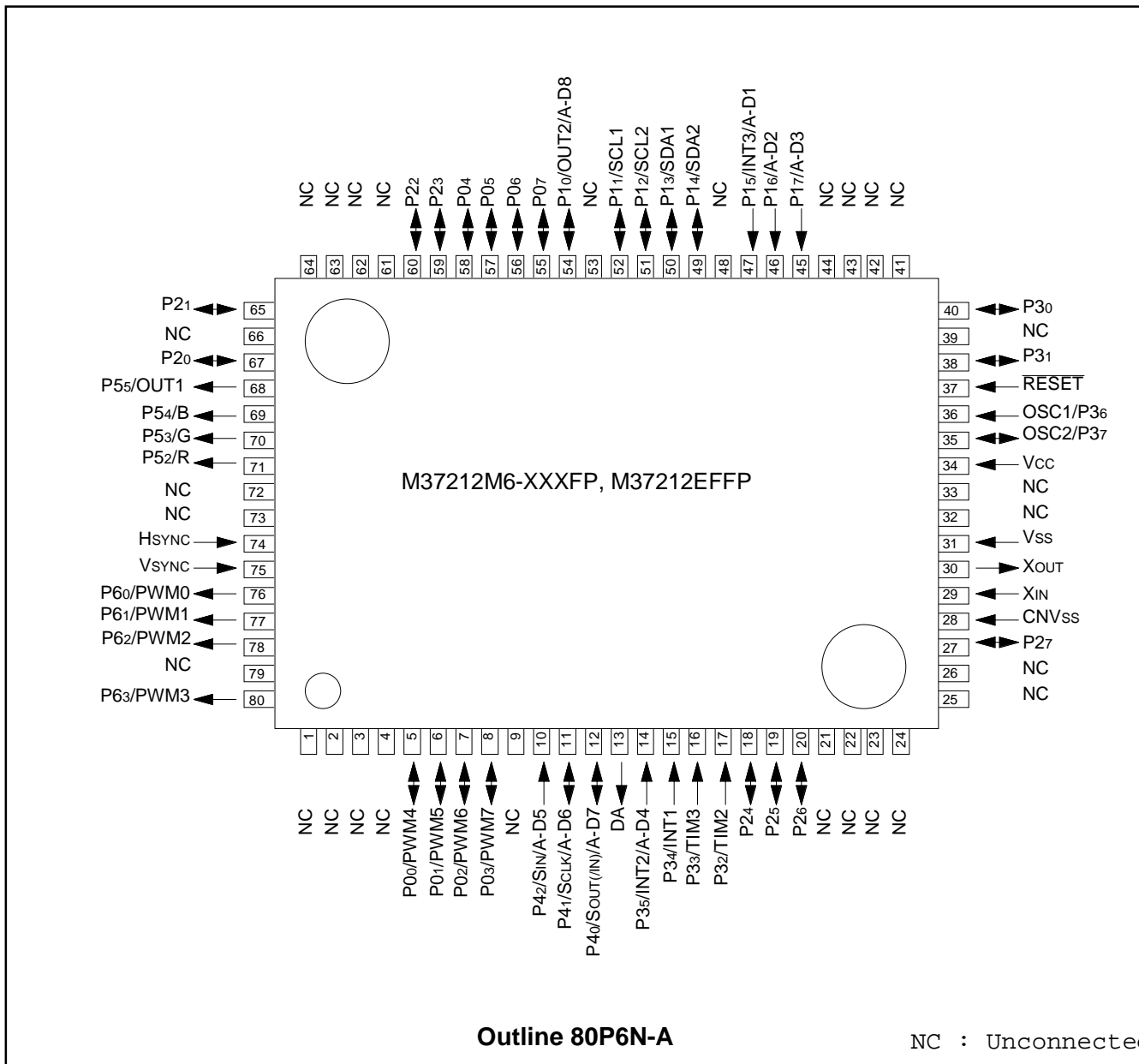


Fig. 4.2 Pin Configuration 2 (Top View)

# M37212M4/M8-XXXSP, M37212M6-XXXSP/FP M37212EFSP/FP

SINGLE-CHIP 8-BIT CMOS MICROCOMPUTER for VOLTAGE SYNTHESIZER  
with ON-SCREEN DISPLAY CONTROLLER

## 5. FUNCTIONAL BLOCK DIAGRAM

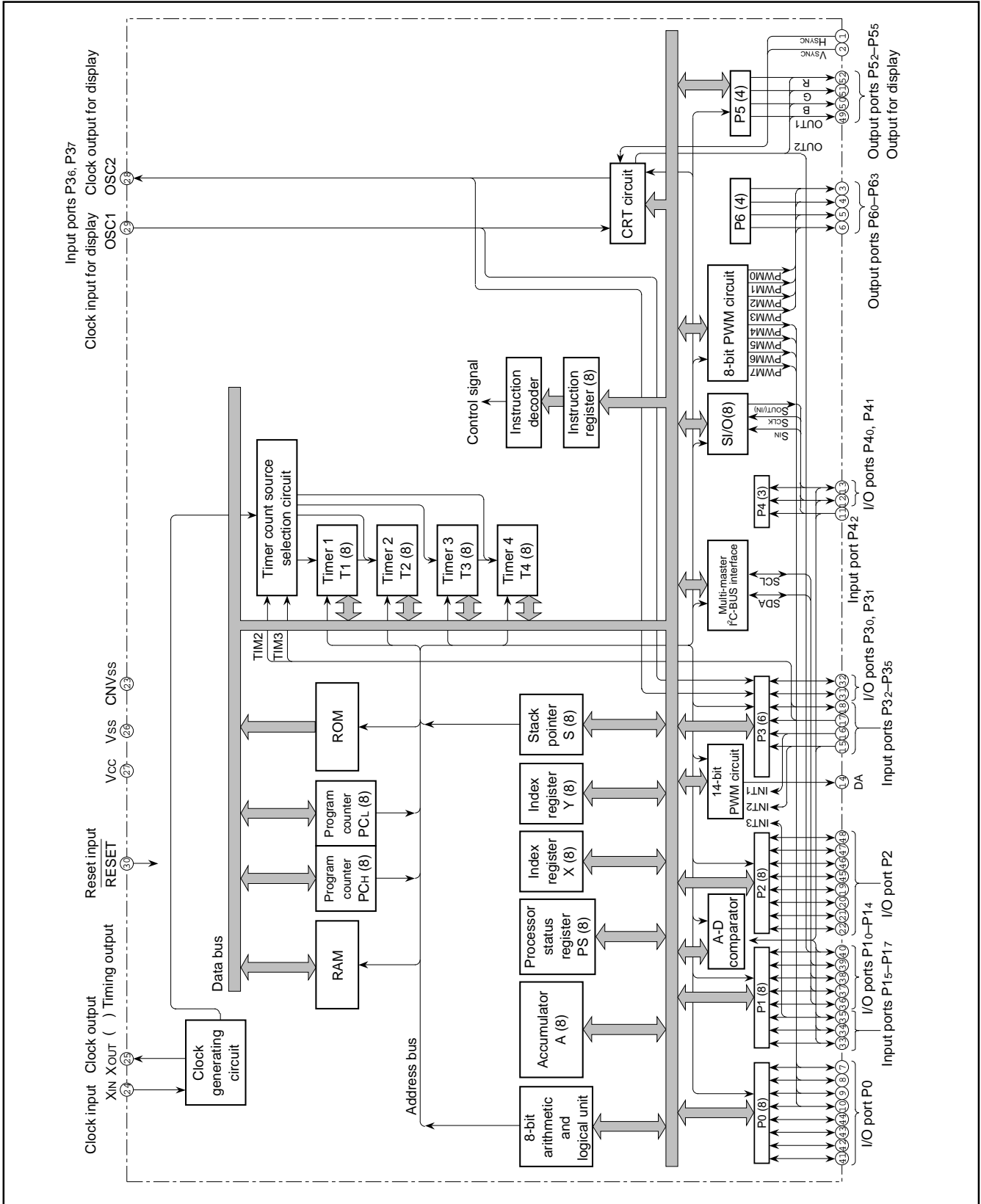


Fig. 5.1 Functional Block Diagram of M37212

# M37212M4/M8-XXXSP, M37212M6-XXXSP/FP M37212EFSP/FP

SINGLE-CHIP 8-BIT CMOS MICROCOMPUTER for VOLTAGE SYNTHESIZER  
with ON-SCREEN DISPLAY CONTROLLER

## 6. PERFORMANCE OVERVIEW

Table 6.1 Performance Overview

Parameter		Functions	
Number of basic instructions		71	
Number of basic instructions		0.5 $\mu$ s (the minimum instruction execution time, at 8 MHz oscillation frequency)	
Instruction execution time		8 MHz (maximum)	
Memory size	ROM	M37212M4-XXXSP	16K bytes
		M37212M6-XXXSP/FP	24K bytes
		M37212M8-XXXSP	32K bytes
		M37212EFSP/FP	62K bytes
	RAM	M37212M4-XXXSP	320 bytes
		M37212M6-XXXSP/FP	384 bytes
		M37212M8-XXXSP	576 bytes (ROM correction memory included)
		M37212EFSP/FP	1280 bytes (ROM correction memory included)
OSD ROM		8 K bytes	
OSD RAM		96 bytes	
Input/Output ports	P0	I/O	8-bit X 1 (N-channel open-drain output structure, can be used as PWM output pins)
	P10-P14	I/O	5-bit X 1 (CMOS input/output structure, however, N-channel open-drain output structure, when P11-P14 are used as multi-master I <sup>2</sup> C-BUS interface, can be used as OSD output, A-D input, multi-master I <sup>2</sup> C-BUS interface)
	P15-P17	Input	3-bit X 1 (can be used as INT input pin, A-D input pins)
	P20-P27	I/O	8-bit X 1 (CMOS input/output structure)
	P30, P31	I/O	2-bit X 1 (CMOS input/output structure)
	P32-P37	Input	6-bit X 1 (can be used as external clock input pins, INT input pins, OSD display clock I/O pins, A-D input pins)
	P40, P41	I/O	2-bit X 1 (N-channel open-drain output structure, can be used as serial I/O pins, A-D input pins)
	P42	Input	1-bit X 1 (can be used as serial input pin, A-D input pin)
	P52-P55	Output	4-bit X 1 (CMOS output structure, can be used as OSD output pins)
	P60-P63	Output	4-bit X 1 (N-channel open-drain output structure, can be used as PWM output pins)
Serial I/O		8-bit X 1	
Multi-master I <sup>2</sup> C-BUS interface		1 (2 systems)	
A-D comparator		8 channels (6-bit resolution)	
PWM output circuit		14-bit X 1, 8-bit X 8	
Timers		8-bit timer X 4	
Subroutine nesting		96 levels (maximum)	
Interrupt		<14 sources> INT external interrupt X 3, Internal timer interrupt X 4, Serial I/O interrupt X 1, OSD interrupt X 1, Multi-master I <sup>2</sup> C-BUS interface interrupt X 1, f(XIN)/4096 interrupt X 1, VSYNC interrupt X 1, BRK interrupt X 1, Reset X 1	
Clock generating circuit		2 built-in circuits (externally connected a ceramic resonator or a quartz-crystal oscillator)	

**M37212M4/M8-XXXSP, M37212M6-XXXSP/FP  
M37212EFSP/FP**

SINGLE-CHIP 8-BIT CMOS MICROCOMPUTER for VOLTAGE SYNTHESIZER  
with ON-SCREEN DISPLAY CONTROLLER

**Table 6.2 Performance Overview (continued)**

Parameter		Functions
OSD display function	Number of display characters	24 characters X 2 lines
	Dot structure	12 X 16 dots
	Kinds of characters	254 kinds
	Kinds of character sizes	3 kinds
	Character font coloring	1 screen: 8 kinds (per character unit)
Display position		Horizontal: 64 levels, Vertical: 128 levels
Power source voltage		5 V ± 10 %
Power dissipation	OSD ON	165 mW typ. (at oscillation frequency f(XIN) = 8 MHz, fosc = 8 MHz)
	OSD OFF	110 mW typ. (at oscillation frequency f(XIN) = 8 MHz)
	In stop mode	1.65 mW (maximum)
Operating temperature range		-10 °C to 70 °C
Device structure		CMOS silicon gate process
Package	M37212M4/M6/M8-XXXSP, M37212EFSP	52-pin plastic molded SDIP
	M37212M6-XXXFP, M37212EFSP	80-pin plastic molded QFP

# M37212M4/M8–XXXSP, M37212M6–XXXSP/FP M37212EFSP/FP

SINGLE-CHIP 8-BIT CMOS MICROCOMPUTER for VOLTAGE SYNTHESIZER  
with ON-SCREEN DISPLAY CONTROLLER

## 7. PIN DESCRIPTION

Table 7.1 Pin Description

Pin	Name	Input/ Output	Functions
VCC, Vss.	Power source		Apply voltage of $5\text{ V} \pm 10\%$ to (typical) VCC, and 0 V to Vss.
CNVss	CNVss		This is connected to Vss.
RESET	Reset input	Input	To enter the reset state, the reset input pin must be kept at a "L" for 2 $\mu\text{s}$ or more (under normal VCC conditions). If more time is needed for the quartz-crystal oscillator to stabilize, this "L" condition should be maintained for the required time.
XIN	Clock input	Input	This chip has an internal clock generating circuit. To control generating frequency, an external ceramic resonator or a quartz-crystal oscillator is connected between pins XIN and XOUT. If an external clock is used, the clock source should be connected to the XIN pin and the XOUT pin should be left open.
XOUT	Clock output	Output	
P00/PWM4– P03/PWM7, P04–P07	I/O port P0	I/O	Port P0 is an 8-bit I/O port with direction register allowing each I/O bit to be individually programmed as input or output. At reset, this port is set to input mode. The output structure is N-channel open-drain output. (See note)
	PWM output	Output	Pins P00–P03 are also used as PWM output pins PWM4–PWM7 respectively. The output structure is N-channel open-drain output.
P10/OUT2/ A-D8, P11/SCL1, P12/SCL2, P13/SDA1, P14/SDA2	I/O port P1	I/O	Port P10–P14 are a 5-bit I/O port and has basically the same functions as port P0. The output structure is CMOS output.
	OSD output	Output	Pins P10 is also used as OSD output pin OUT2. The output structure is CMOS output.
	Multi-master I <sup>2</sup> C-BUS interface	I/O	Pins P11–P14 are used as SCL1, SCL2, SDA1 and SDA2 respectively, when multi-master I <sup>2</sup> C-BUS interface is used. The output structure is N-channel open-drain output.
	Analog input	Input	P10 pin is also used as analog input pin A-D8.
P15/INT3/ A-D1, P16/A-D2, P17/A-D3	Input port P1	Input	Port P15–P17 are a 3-bit input port and has basically the same functions as port P0.
	Analog input	Input	Pins P15–P17 are also used as analog input pins A-D1 to A-D3 respectively.
	External interrupt input	Input	P15 pin is also used as INT external interrupt input pin INT3.
P20–P27	I/O port P2	I/O	Port P2 is an 8-bit I/O port and has basically the same functions as port P0. The output structure is CMOS output. (See note)
P30, P31	I/O port P3	I/O	Ports P30, P31 are a 2-bit I/O port and has basically the same functions as port P0. The output structure is CMOS output.
P32/TIM2, P33/TIM3, P34/INT1, P35/INT2/ A-D4, P36/OSC1, P37/OSC2	Input port P3	Input	Ports P32–P37 are a 6-bit input port and has basically the same functions as port P0.
	External clock input	Input	Pins P32, P33 are also used as external clock input pins TIM2, TIM3 respectively.
	External interrupt input	Input	Pins P34, P35 are also used as INT external interrupt input pins INT1, INT2 respectively.
	Analog input	Input	P35 pin is also used as analog input pin A-D4.
	Clock input for OSD display	Input	P36 pin is also used as OSD display clock input pin OSC1.
Clock output for OSD display	Output	P37 pin is also used as OSD display clock output pin OSC2. The output structure is CMOS output.	



**M37212M4/M8-XXXSP, M37212M6-XXXSP/FP  
M37212EFSP/FP**

SINGLE-CHIP 8-BIT CMOS MICROCOMPUTER for VOLTAGE SYNTHESIZER  
with ON-SCREEN DISPLAY CONTROLLER

**Table 7.2 Pin Description (continued)**

Pin	Name	Input/ Output	Functions
P40/SOUT/(IN)/ A-D7, P41/SCLK/ A-D6,	I/O port P4	I/O	Ports P40, P41 are a 2-bit I/O port and has basically the same functions as port P0. The output structure is N-channel open-drain output.
	Serial I/O data input/output	I/O	Pin P40 is also used as serial I/O data input/output pin SOUT/(IN). The output structure is N-channel open-drain output.
	Serial I/O synchronizing clock input/output	I/O	Pin P41 is also used as serial I/O synchronizing clock input/output pin SCLK. The output structure is N-channel open-drain output.
P42/SIN/ A-D5,	Analog input pin	Input	Pin P40, P41 are also used as analog input pins A-D7, A-D6 respectively.
	Input port P4	Input	Port P42 is a 1-bit input port and has basically the same functions as port P0.
	Serial I/O data input	Input	Pin P42 is also used as serial I/O data input pin SIN.
P52/R, P53/G, P54/B, P55/OUT1	Analog input	Input	Pin P42 is also used as analog input pin A-D5.
	Output port P5	Output	Ports P52-P55 are a 4-bit output port and has basically the same functions as port P0. The output structure is CMOS output.
P60/PWM0- P63/PWM3	OSD output	Output	Pins P52-P55 are also used as OSD output pins R, G, B, OUT1 respectively. The output structure is CMOS output.
	Output port P6	Output	Ports P60-P63 are a 4-bit I/O port and has basically the same functions as port P0. The output structure is N-channel open-drain output.
P60/PWM0- P63/PWM3	PWM output	Output	Pins P60-P63 are also used as PWM output pins PWM0-PWM3 respectively. The output structure is N-channel open-drain output.
	Output port P6	Output	Ports P60-P63 are a 4-bit I/O port and has basically the same functions as port P0. The output structure is N-channel open-drain output.
HSYNC	HSYNC input	Input	This is a horizontal synchronizing signal input for OSD.
VSYSN	VSYSN input	Input	This is a vertical synchronizing signal input for OSD.
DA	DA output	Output	This is a 14-bit PWM output pin.

**Note :** Port Pi (i = 0 to 3) has the port Pi direction register which can be used to program each bit as an input ("0") or an output ("1"). The pins programmed as "1" in the direction register are output pins. When pins are programmed as "0," they are input pins. When pins are programmed as output pins, the output data are written into the port latch and then output. When data is read from the output pins, the output pin level is not read but the data of the port latch is read. This allows a previously-output value to be read correctly even if the output "L" voltage has risen, for example, because a light emitting diode was directly driven. The input pins are in the floating state, so the values of the pins can be read. When data is written into the input pin, it is written only into the port latch, while the pin remains in the floating state.

# M37212M4/M8-XXXSP, M37212M6-XXXSP/FP M37212EFSP/FP

SINGLE-CHIP 8-BIT CMOS MICROCOMPUTER for VOLTAGE SYNTHESIZER  
with ON-SCREEN DISPLAY CONTROLLER

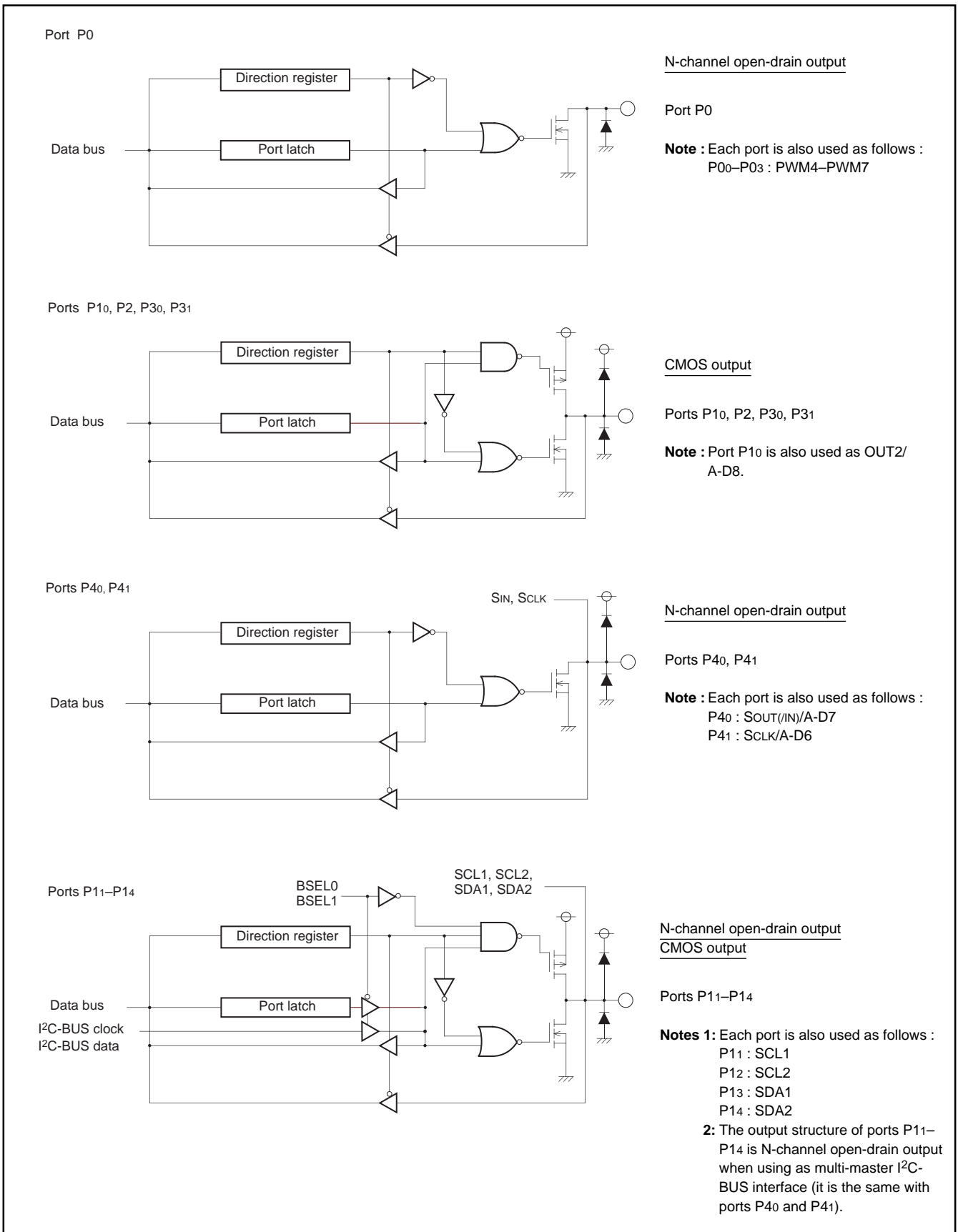


Fig. 7.1 I/O Pin Block Diagram (1)

# M37212M4/M8-XXXSP, M37212M6-XXXSP/FP M37212EFSP/FP

SINGLE-CHIP 8-BIT CMOS MICROCOMPUTER for VOLTAGE SYNTHESIZER  
with ON-SCREEN DISPLAY CONTROLLER

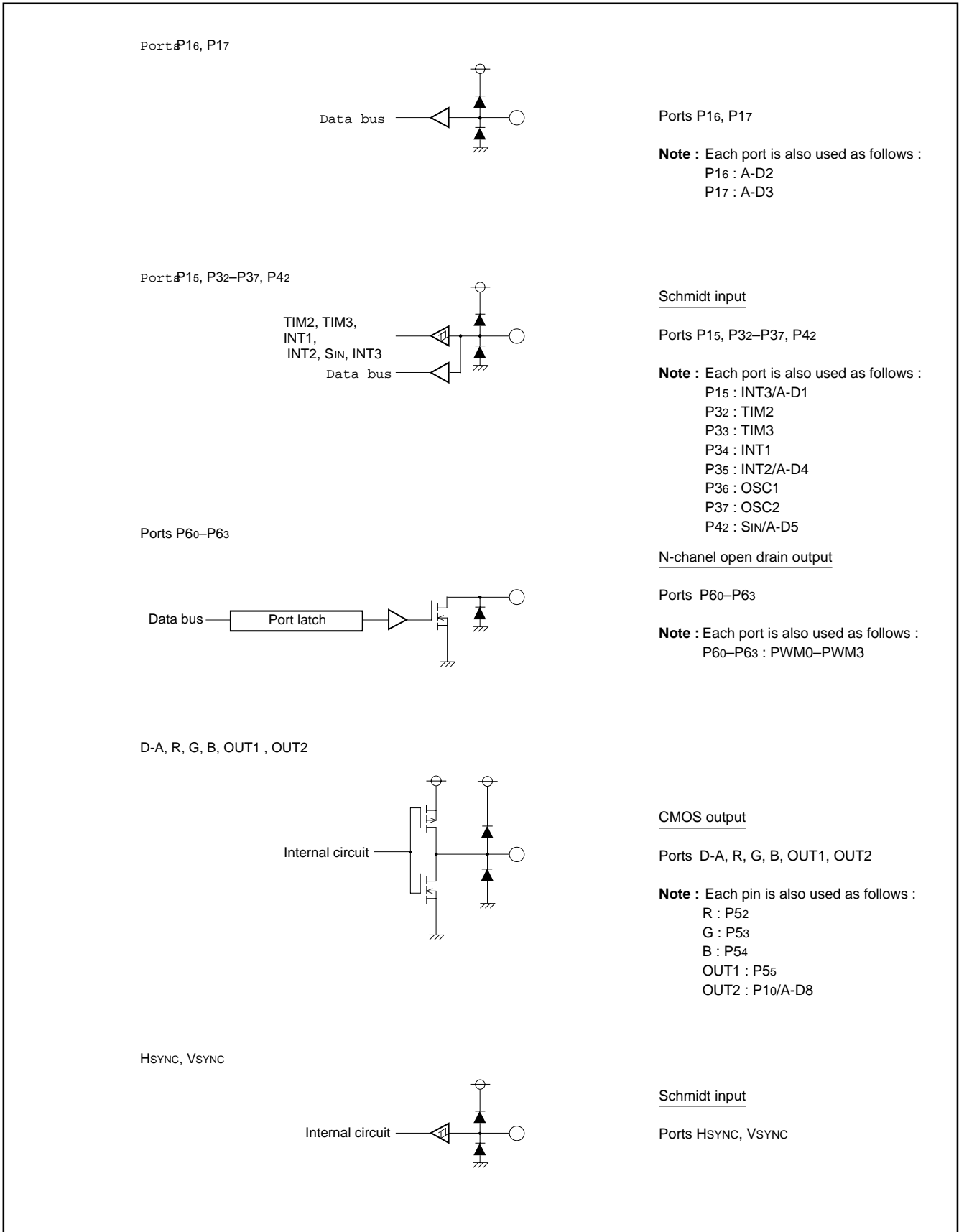


Fig. 7.2 I/O Pin Block Diagram (2)

# M37212M4/M8-XXXSP, M37212M6-XXXSP/FP M37212EFSP/FP

SINGLE-CHIP 8-BIT CMOS MICROCOMPUTER for VOLTAGE SYNTHESIZER  
with ON-SCREEN DISPLAY CONTROLLER

## 8. FUNCTIONAL DESCRIPTION

### 8.1 CENTRAL PROCESSING UNIT (CPU)

This microcomputer uses the standard 740 Family instruction set. Refer to the table of 740 Family addressing modes and machine instructions or the SERIES 740 <Software> User's Manual for details on the instruction set.

Machine-resident 740 Family instructions are as follows:

The FST, SLW instruction cannot be used.

The MUL, DIV, WIT and STP instructions can be used.

### 8.1.1 CPU Mode Register

The CPU mode register contains the stack page selection bit and internal system clock selection bit. The CPU mode register is allocated at address 00FB16.

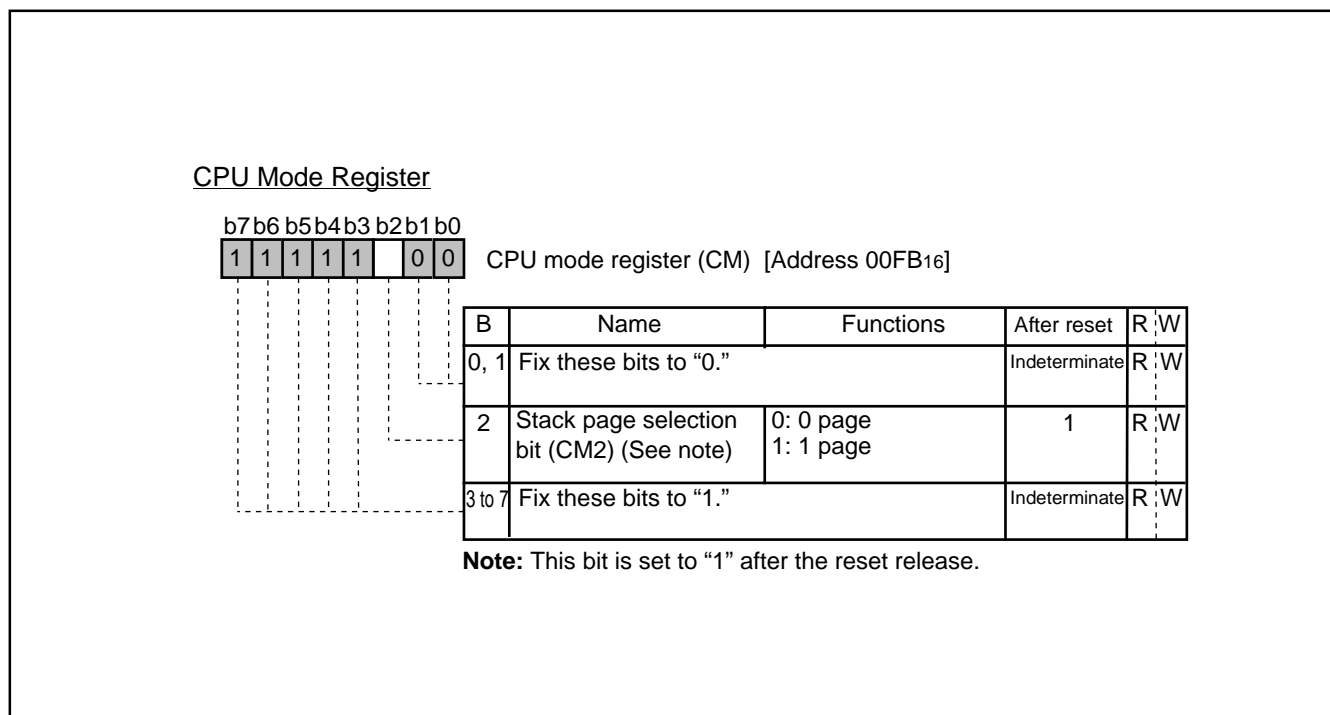


Fig. 8.1.1 CPU Mode Register

# M37212M4/M8-XXXSP, M37212M6-XXXSP/FP M37212EFSP/FP

SINGLE-CHIP 8-BIT CMOS MICROCOMPUTER for VOLTAGE SYNTHESIZER  
with ON-SCREEN DISPLAY CONTROLLER

## 8.2 MEMORY

### 8.2.1 Special Function Register (SFR) Area

The special function register (SFR) area in the zero page contains control registers such as I/O ports and timers.

### 8.2.2 RAM

RAM is used for data storage and for stack area of subroutine calls and interrupts.

### 8.2.3 ROM

ROM is used for storing user programs as well as the interrupt vector area.

### 8.2.4 OSD RAM

RAM for display is used for specifying the character codes and colors to display.

### 8.2.5 OSD ROM

ROM for display is used for storing character data.

### 8.2.6 Interrupt Vector Area

The interrupt vector area contains reset and interrupt vectors.

### 8.2.7 Zero Page

The 256 bytes from addresses 0000<sub>16</sub> to 00FF<sub>16</sub> are called the zero page area. The internal RAM and the special function registers (SFR) are allocated to this area.

The zero page addressing mode can be used to specify memory and register addresses in the zero page area. Access to this area with only 2 bytes is possible in the zero page addressing mode.

### 8.2.8 Special Page

The 256 bytes from addresses FF00<sub>16</sub> to FFFF<sub>16</sub> are called the special page area. The special page addressing mode can be used to specify memory addresses in the special page area. Access to this area with only 2 bytes is possible in the special page addressing mode.

### 8.2.9 ROM Correction Memory (RAM)

This is used as the program area for ROM correction.

**Note:** Only M37212M8-XXXSP and M37212EFSP/FP have ROM correction memory.

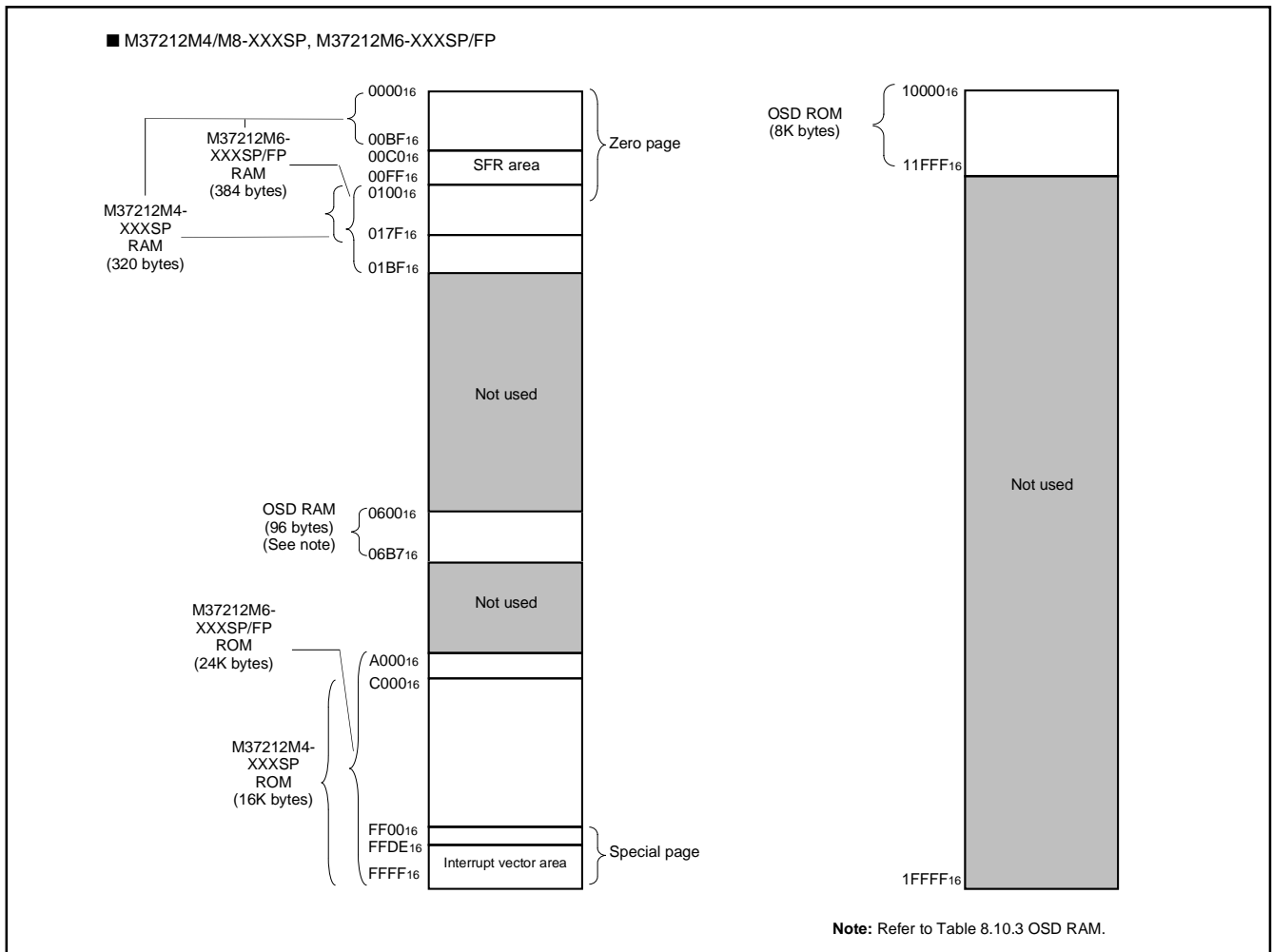


Fig. 8.2.1 Memory Map (M37212M4/M8-XXXSP, M37212M6-XXXSP/FP)

# M37212M4/M8-XXXSP, M37212M6-XXXSP/FP M37212EFSP/FP

SINGLE-CHIP 8-BIT CMOS MICROCOMPUTER for VOLTAGE SYNTHESIZER  
with ON-SCREEN DISPLAY CONTROLLER

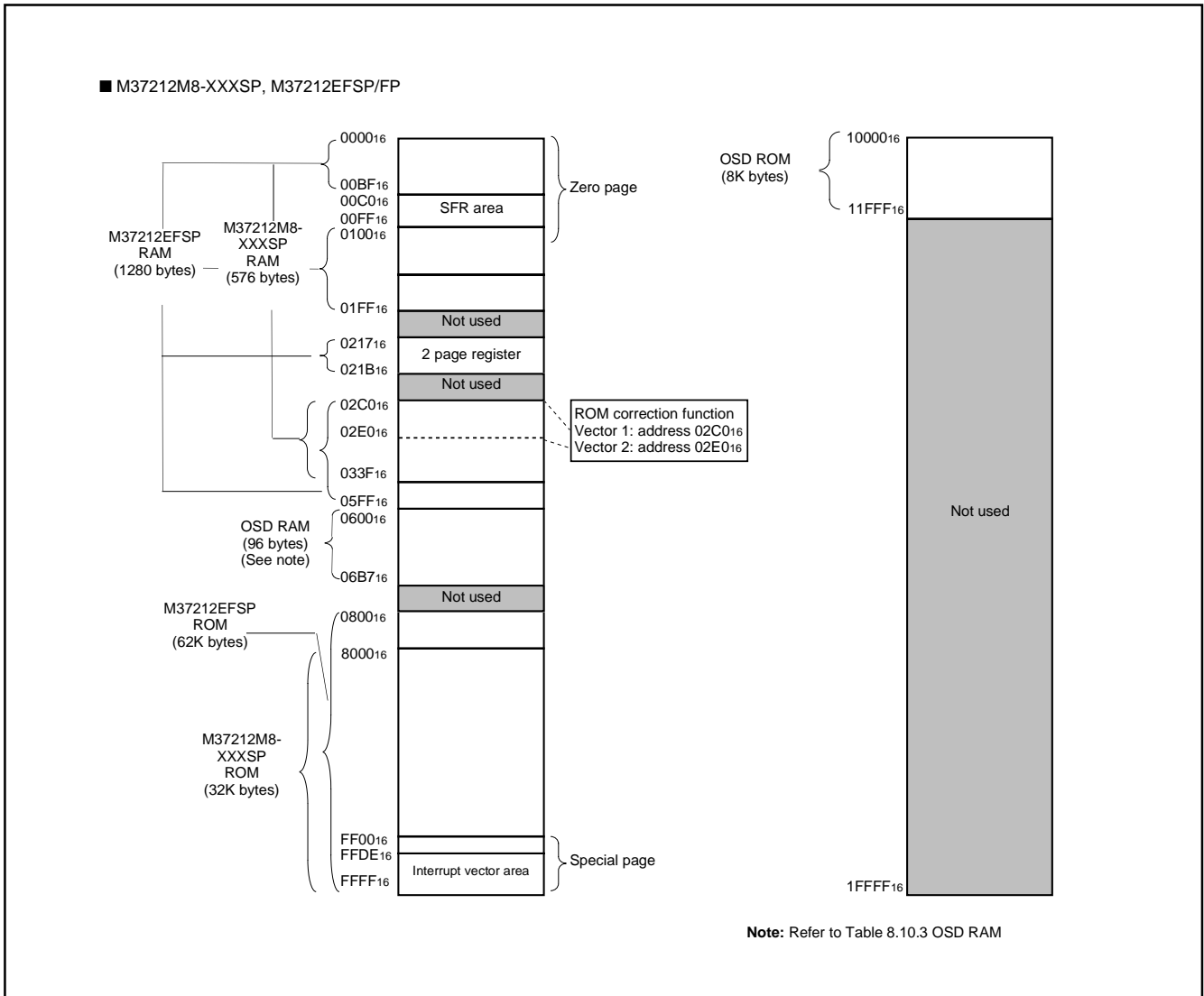


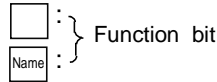
Fig. 8.2.2 Memory Map (M37212M8-XXXSP, M37212EFSP/FP)

# M37212M4/M8-XXXSP, M37212M6-XXXSP/FP M37212EFSP/FP

SINGLE-CHIP 8-BIT CMOS MICROCOMPUTER for VOLTAGE SYNTHESIZER  
with ON-SCREEN DISPLAY CONTROLLER

## ■ SFR area (addresses C0<sub>16</sub> to DF<sub>16</sub>)

Bit allocation



: No function bit

: Fix to this bit to "0"  
(do not write to "1")

: Fix to this bit to "1"  
(do not write to "0")

State immediately after reset

: "0" immediately after reset

: "1" immediately after reset

: Indeterminate immediately after reset

Address	Register	Bit allocation								State immediately after reset							
		b7							b0	b7							b0
C0 <sub>16</sub>	Port P0 (P0)																?
C1 <sub>16</sub>	Port P0 direction register (D0)																00 <sub>16</sub>
C2 <sub>16</sub>	Port P1 (P1)																?
C3 <sub>16</sub>	Port P1 direction register (D1)																00 <sub>16</sub>
C4 <sub>16</sub>	Port P2 (P2)																?
C5 <sub>16</sub>	Port P2 direction register (D2)																00 <sub>16</sub>
C6 <sub>16</sub>	Port P3 (P3)																?
C7 <sub>16</sub>	Port P3 direction register (D3)								P31D P30D								00 <sub>16</sub>
C8 <sub>16</sub>	Port P4 (P4)								P41 P40	0	0	0	0	0	?	?	?
C9 <sub>16</sub>	Port P4 direction register (D4)								P41D P40D	0	0	0	0	0	?	?	?
CA <sub>16</sub>	Port P5 (P5)			P55	P54	P53	P52			0	0	?	?	?	?	0	0
CB <sub>16</sub>	Port P5 direction register (D5)			P55 SEL	P54 SEL	P53 SEL	P52 SEL		0 0								00 <sub>16</sub>
CC <sub>16</sub>	Port P6 (P6)					P63	P62	P61	P60								0F <sub>16</sub>
CD <sub>16</sub>						1	1	1	1								0F <sub>16</sub>
CE <sub>16</sub>	DA-H register (DA-H)																?
CF <sub>16</sub>	DA-L register (DA-L)									0	0	?	?	?	?	?	?
D0 <sub>16</sub>	PWM0 register (PWM0)																?
D1 <sub>16</sub>	PWM1 register (PWM1)																?
D2 <sub>16</sub>	PWM2 register (PWM2)																?
D3 <sub>16</sub>	PWM3 register (PWM3)																?
D4 <sub>16</sub>	PWM4 register (PWM4)																?
D5 <sub>16</sub>	PWM output control register 1 (PW)	PW7	PW6	PW5	PW4	PW3	PW2	PW1	PW0								00 <sub>16</sub>
D6 <sub>16</sub>	PWM output control register 2 (PN)				PN4	PN3	PN2	PN1	PN0								00 <sub>16</sub>
D7 <sub>16</sub>	I <sup>2</sup> C data shift register (S0)	D7	D6	D5	D4	D3	D2	D1	D0								?
D8 <sub>16</sub>	I <sup>2</sup> C address register (S0D)	SAD6	SAD5	SAD4	SAD3	SAD2	SAD1	SAD0	RBW								00 <sub>16</sub>
D9 <sub>16</sub>	I <sup>2</sup> C status register (S1)	MST	TRX	BB	PIN	AL	AAS	ADO	LRB	0	0	0	1	0	0	0	?
DA <sub>16</sub>	I <sup>2</sup> C control register (S1D)	BSEL1	BSEL0	10BIT SAD	ALS	ESO	BC2	BC1	BC0								00 <sub>16</sub>
DB <sub>16</sub>	I <sup>2</sup> C clock control register (S2)	ACK	ACK BIT	FAST MODE	CCR4	CCR3	CCR2	CCR1	CCR0								00 <sub>16</sub>
DC <sub>16</sub>	Serial I/O mode register (SM)		SM6	SM5	0	SM3	SM2	SM1	SM0								00 <sub>16</sub>
DD <sub>16</sub>	Serial I/O register (SIO)																?
DE <sub>16</sub>																	?
DF <sub>16</sub>																	?

Fig. 8.2.3 Memory Map of Special Function Register (SFR) (1)

# M37212M4/M8-XXXSP, M37212M6-XXXSP/FP M37212EFSP/FP

SINGLE-CHIP 8-BIT CMOS MICROCOMPUTER for VOLTAGE SYNTHESIZER  
with ON-SCREEN DISPLAY CONTROLLER

## ■ SFR area (addresses E0<sub>16</sub> to FF<sub>16</sub>)

### Bit allocation



- : Fix to this bit to "0"  
(do not write to "1")
- : Fix to this bit to "1"  
(do not write to "0")

### State immediately after reset

- : "0" immediately after reset
- : "1" immediately after reset
- : Indeterminate immediately after reset

Address	Register	Bit allocation								State immediately after reset																
		b7				b0				b7				b0												
E0 <sub>16</sub>	Horizontal position register (HR)			HR5	HR4	HR3	HR2	HR1	HR0									00 <sub>16</sub>								
E1 <sub>16</sub>	Vertical position register 1 (CV1)		CV16	CV15	CV14	CV13	CV12	CV11	CV10									0	?	?	?	?	?	?	?	?
E2 <sub>16</sub>	Vertical position register 2 (CV2)		CV26	CV25	CV24	CV23	CV22	CV21	CV20									0	?	?	?	?	?	?	?	?
E3 <sub>16</sub>																		00 <sub>16</sub>								
E4 <sub>16</sub>	Character size register (CS)						CS21	CS20	CS11	CS10								0	0	0	0	?	?	?	?	?
E5 <sub>16</sub>	Border selection register (MD)							MD20	MD10								0	0	0	0	0	?	?	0	?	
E6 <sub>16</sub>	Color register 0 (CO0)		CO07	CO06	CO05	CO04	CO03	CO02	CO01								00 <sub>16</sub>									
E7 <sub>16</sub>	Color register 1 (CO1)		CO17	CO16	CO15	CO14	CO13	CO12	CO11								00 <sub>16</sub>									
E8 <sub>16</sub>	Color register 2 (CO2)		CO27	CO26	CO25	CO24	CO23	CO22	CO21								00 <sub>16</sub>									
E9 <sub>16</sub>	Color register 3 (CO3)		CO37	CO36	CO35	CO34	CO33	CO32	CO31								00 <sub>16</sub>									
EA <sub>16</sub>	CRT control register (CC)		CC7					CC2	CC1	CC0							00 <sub>16</sub>									
EB <sub>16</sub>																	00 <sub>16</sub>									
EC <sub>16</sub>	CRT port control register (CRTP)		OP7	OP6	OP5	OUT1	OUT2	R/G/B	VSYCH	HSYC							00 <sub>16</sub>									
ED <sub>16</sub>	CRT clock selection register (CK)		0	0	0	0	0	0	CK1	CK0							00 <sub>16</sub>									
EE <sub>16</sub>	A-D mode register (ADM)					ADM4		ADM2	ADM1	ADM0							0	0	0	?	0	0	0	0	0	
EF <sub>16</sub>	A-D control register (ADC)					ADC5	ADC4	ADC3	ADC2	ADC1	ADC0							00 <sub>16</sub>								
F0 <sub>16</sub>	Timer 1 (T1)																FF <sub>16</sub>									
F1 <sub>16</sub>	Timer 2 (T2)																07 <sub>16</sub>									
F2 <sub>16</sub>	Timer 3 (T3)																FF <sub>16</sub>									
F3 <sub>16</sub>	Timer 4 (T4)																07 <sub>16</sub>									
F4 <sub>16</sub>	Timer 12 mode register (T12M)				0	T12M4	T12M3	T12M2	T12M1	T12M0							00 <sub>16</sub>									
F5 <sub>16</sub>	Timer 34 mode register (T34M)					T34M5	T34M4	T34M3	T34M2	T34M1	T34M0							00 <sub>16</sub>								
F6 <sub>16</sub>	PWM5 register (PWM5)																?									
F7 <sub>16</sub>	PWM6 register (PWM6)																?									
F8 <sub>16</sub>	PWM7 register (PWM7)																?									
F9 <sub>16</sub>	Interrupt input polarity register (RE)		0			RE5	RE4	RE3	0								00 <sub>16</sub>									
FA <sub>16</sub>																	?									
FB <sub>16</sub>	CPU mode register (CM)		1	1	1	1	1	CM2	0	0							FC <sub>16</sub>									
FC <sub>16</sub>	Interrupt request register 1 (IREQ1)		IT3R	IICR	VSCR	OSDR	TM4R	TM3R	TM2R	TM1R							00 <sub>16</sub>									
FD <sub>16</sub>	Interrupt request register 2 (IREQ2)		0			MSR		S1R	IT2R	IT1R							00 <sub>16</sub>									
FE <sub>16</sub>	Interrupt control register 1 (ICON1)		IT3E	IICE	VSC	OSDE	TM4E	TM3E	TM2E	TM1E							00 <sub>16</sub>									
FF <sub>16</sub>	Interrupt control register 2 (ICON2)			0	0	MSE	0	S1E	IT2E	IT1E							?	0	0	0	0	0	0	0	0	

Fig. 8.2.4 Memory Map of Special Function Register (SFR) (2)



# M37212M4/M8-XXXSP, M37212M6-XXXSP/FP M37212EFSP/FP

SINGLE-CHIP 8-BIT CMOS MICROCOMPUTER for VOLTAGE SYNTHESIZER  
with ON-SCREEN DISPLAY CONTROLLER

■ 2 page register area (addresses 217<sub>16</sub> to 21B<sub>16</sub>)

<Bit allocation>		<State immediately after reset>	
□	: } Function bit	0	: "0" immediately after reset
Name	: }	1	: "1" immediately after reset
■	: No function bit	?	: Indeterminate immediately after reset
0	: Fix to this bit to "0" (do not write to "1")		
1	: Fix to this bit to "1" (do not write to "0")		

Address	Register	Bit allocation		State immediately after reset	
		b7	b0	b7	b0
217 <sub>16</sub>	ROM correction address 1 (high-order)			00 <sub>16</sub>	
218 <sub>16</sub>	ROM correction address 1 (low-order)			00 <sub>16</sub>	
219 <sub>16</sub>	ROM correction address 2 (high-order)			00 <sub>16</sub>	
21A <sub>16</sub>	ROM correction address 2 (low-order)			00 <sub>16</sub>	
21B <sub>16</sub>	ROM correction enable register (RCR)	■	■	0	0
				RCR1	RCR0

**Note:** Only M37212M8-XXXSP and M37212EFSP/FP have 2 page register.

Fig. 8.2.5 Memory Map of 2 Page Register Area

**M37212M4/M8-XXXSP, M37212M6-XXXSP/FP  
M37212EFSP/FP**

SINGLE-CHIP 8-BIT CMOS MICROCOMPUTER for VOLTAGE SYNTHESIZER  
with ON-SCREEN DISPLAY CONTROLLER

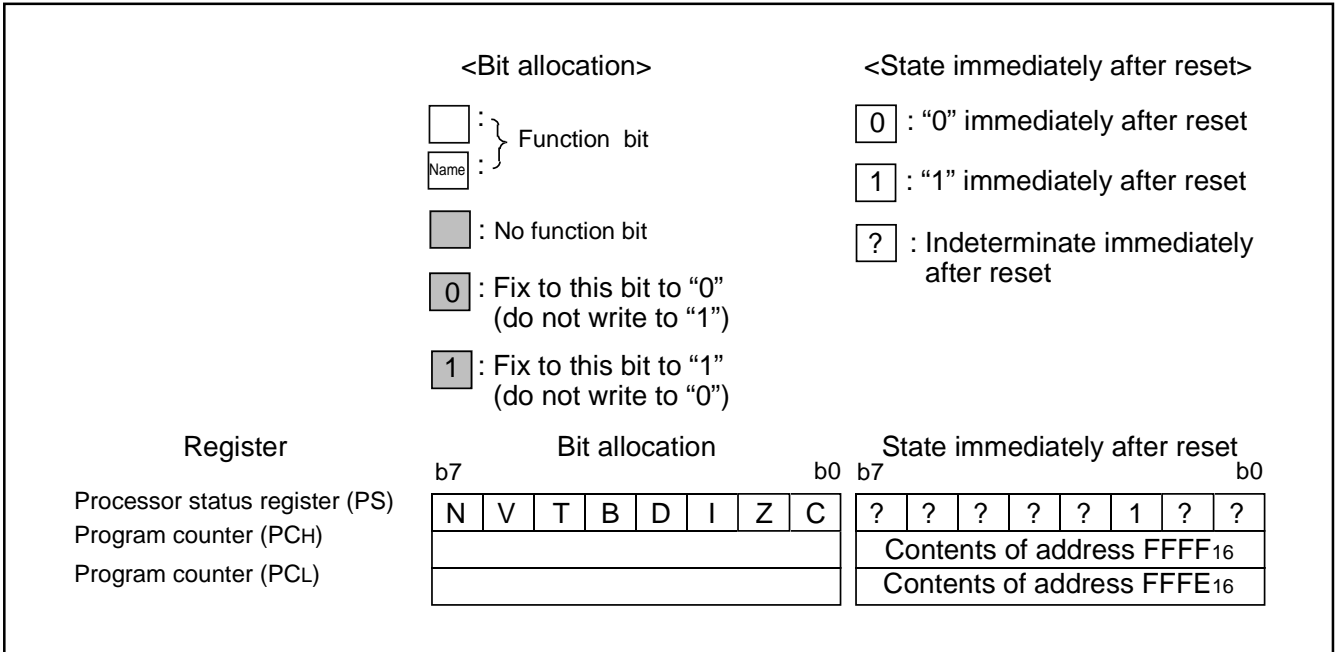


Fig. 8.2.6 Internal State of Processor Status Register and Program Counter at Reset

# M37212M4/M8-XXXSP, M37212M6-XXXSP/FP M37212EFSP/FP

SINGLE-CHIP 8-BIT CMOS MICROCOMPUTER for VOLTAGE SYNTHESIZER  
with ON-SCREEN DISPLAY CONTROLLER

## 8.3 INTERRUPTS

Interrupts can be caused by 14 different sources consisting of 4 external, 8 internal, 1 software, and reset. Interrupts are vectored interrupts with priorities as shown in Table 8.3.1. Reset is also included in the table because its operation is similar to an interrupt.

When an interrupt is accepted,

- ① The contents of the program counter and processor status register are automatically stored into the stack.
- ② The interrupt disable flag I is set to "1" and the corresponding interrupt request bit is set to "0."
- ③ The jump destination address stored in the vector address enters the program counter.

Other interrupts are disabled when the interrupt disable flag is set to "1."

All interrupts except the BRK instruction interrupt have an interrupt request bit and an interrupt enable bit. The interrupt request bits are in interrupt request registers 1 and 2 and the interrupt enable bits are in interrupt control registers 1 and 2. Figures 8.3.2 to 8.3.6 show the interrupt-related registers.

Interrupts other than the BRK instruction interrupt and reset are accepted when the interrupt enable bit is "1," interrupt request bit is "1," and the interrupt disable flag is "0." The interrupt request bit can be set to "0" by a program, but not set to "1." The interrupt enable bit can be set to "0" and "1" by a program.

Reset is treated as a non-maskable interrupt with the highest priority. Figure 8.3.1 shows interrupt control.

### 8.3.1 Interrupt Causes

#### (1) VSYNC, OSD interrupts

The VSYNC interrupt is an interrupt request synchronized with the vertical sync signal.

The OSD interrupt occurs after character block display to the CRT is completed.

#### (2) INT1 to INT3 external interrupts

The INT1 to INT3 interrupts are external interrupt inputs, the system detects that the level of a pin changes from LOW to HIGH or from HIGH to LOW, and generates an interrupt request. The input active edge can be selected by bits 3 to 5 of the interrupt input polarity register (address 00F9<sub>16</sub>): when this bit is "0," a change from LOW to HIGH is detected; when it is "1," a change from HIGH to LOW is detected. Note that both bits are cleared to "0" at reset.

#### (3) Timers 1 to 4 interrupts

An interrupt is generated by an overflow of timers 1 to 4.

**Table 8.3.1 Interrupt Vector Addresses and Priority**

Priority	Interrupt Source	Vector Addresses	Remarks
1	Reset	FFFF <sub>16</sub> , FFFE <sub>16</sub>	Non-maskable
2	OSD interrupt	FFFD <sub>16</sub> , FFFC <sub>16</sub>	
3	INT2 external interrupt	FFFB <sub>16</sub> , FFFA <sub>16</sub>	Active edge selectable
4	INT1 external interrupt	FFF9 <sub>16</sub> , FFF8 <sub>16</sub>	Active edge selectable
5	Timer 4 interrupt	FFF5 <sub>16</sub> , FFF4 <sub>16</sub>	
6	f(XIN)/4096 interrupt	FFF3 <sub>16</sub> , FFF2 <sub>16</sub>	
7	VSYNC interrupt	FFF1 <sub>16</sub> , FFF0 <sub>16</sub>	
8	Timer 3 interrupt	FFEF <sub>16</sub> , FFEE <sub>16</sub>	
9	Timer 2 interrupt	FFED <sub>16</sub> , FFEC <sub>16</sub>	
10	Timer 1 interrupt	FFEB <sub>16</sub> , FFEA <sub>16</sub>	
11	Serial I/O interrupt	FFE9 <sub>16</sub> , FFE8 <sub>16</sub>	
12	Multi-master I <sup>2</sup> C-BUS interface interrupt	FFE7 <sub>16</sub> , FFE6 <sub>16</sub>	
13	INT3 external interrupt	FFE5 <sub>16</sub> , FFE4 <sub>16</sub>	Active edge selectable
14	BRK instruction interrupt	FFDF <sub>16</sub> , FFDE <sub>16</sub>	Non-maskable

**M37212M4/M8-XXXSP, M37212M6-XXXSP/FP  
M37212EFSP/FP**

SINGLE-CHIP 8-BIT CMOS MICROCOMPUTER for VOLTAGE SYNTHESIZER  
with ON-SCREEN DISPLAY CONTROLLER

**(4) Serial I/O interrupt**

This is an interrupt request from the clock synchronous serial I/O function.

**(5) f(XIN)/4096 interrupt**

The f(XIN)/4096 interrupt occurs regularly with a f(XIN)/4096 period. Set bit 0 of PWM output control register 1 to "0."

**(6) Multi-master I<sup>2</sup>C-BUS interface interrupt**

This is an interrupt request related to the multi-master I<sup>2</sup>C-BUS interface.

**(7) BRK instruction interrupt**

This software interrupt has the least significant priority. It does not have a corresponding interrupt enable bit, and it is not affected by the interrupt disable flag I (non-maskable).

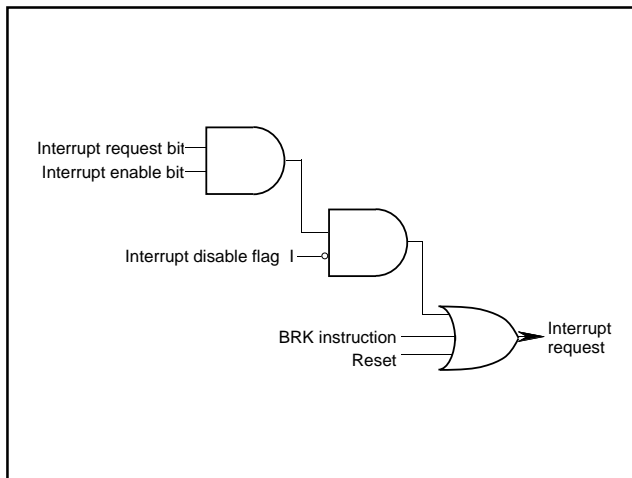


Fig. 8.3.1 Interrupt Control

**M37212M4/M8-XXXSP, M37212M6-XXXSP/FP  
M37212EFSP/FP**

SINGLE-CHIP 8-BIT CMOS MICROCOMPUTER for VOLTAGE SYNTHESIZER  
with ON-SCREEN DISPLAY CONTROLLER

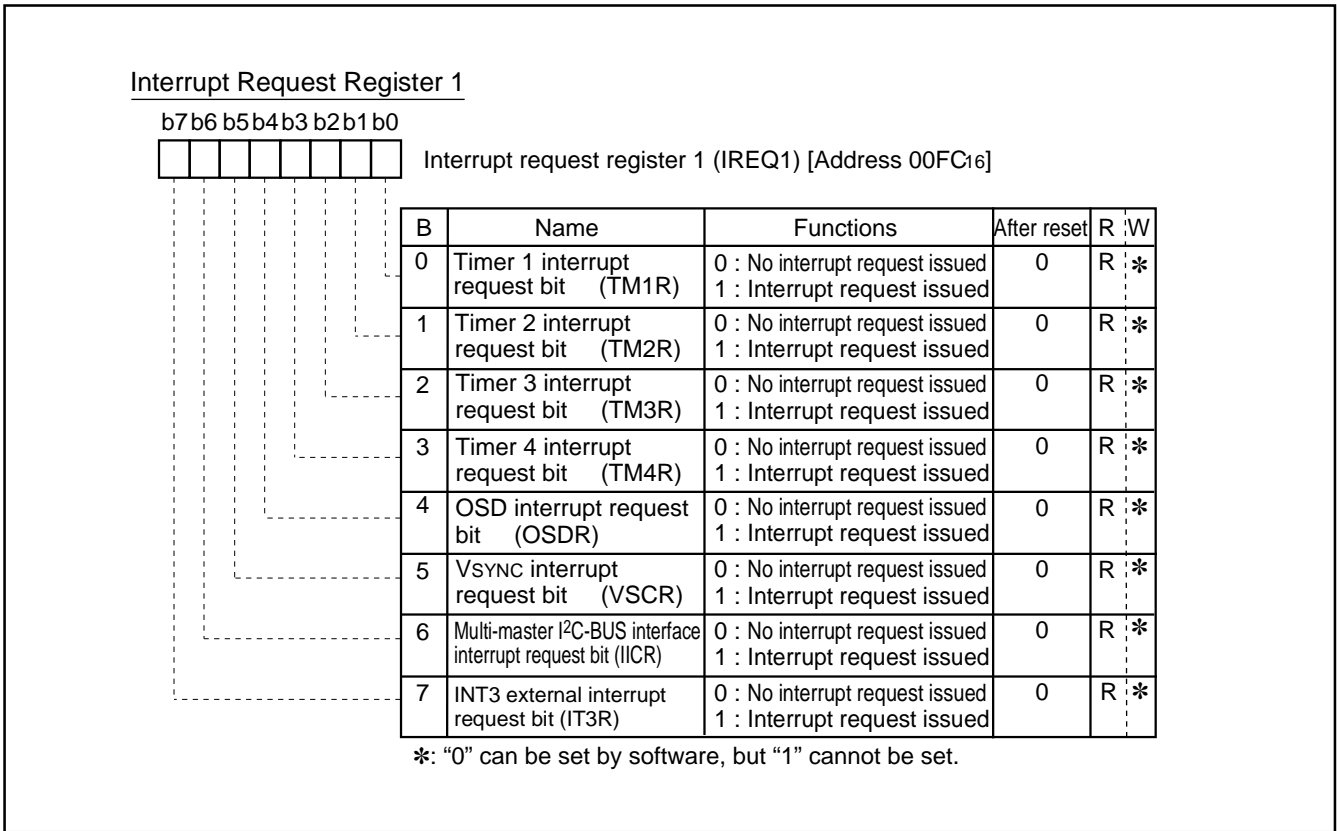


Fig. 8.3.2 Interrupt Request Register 1

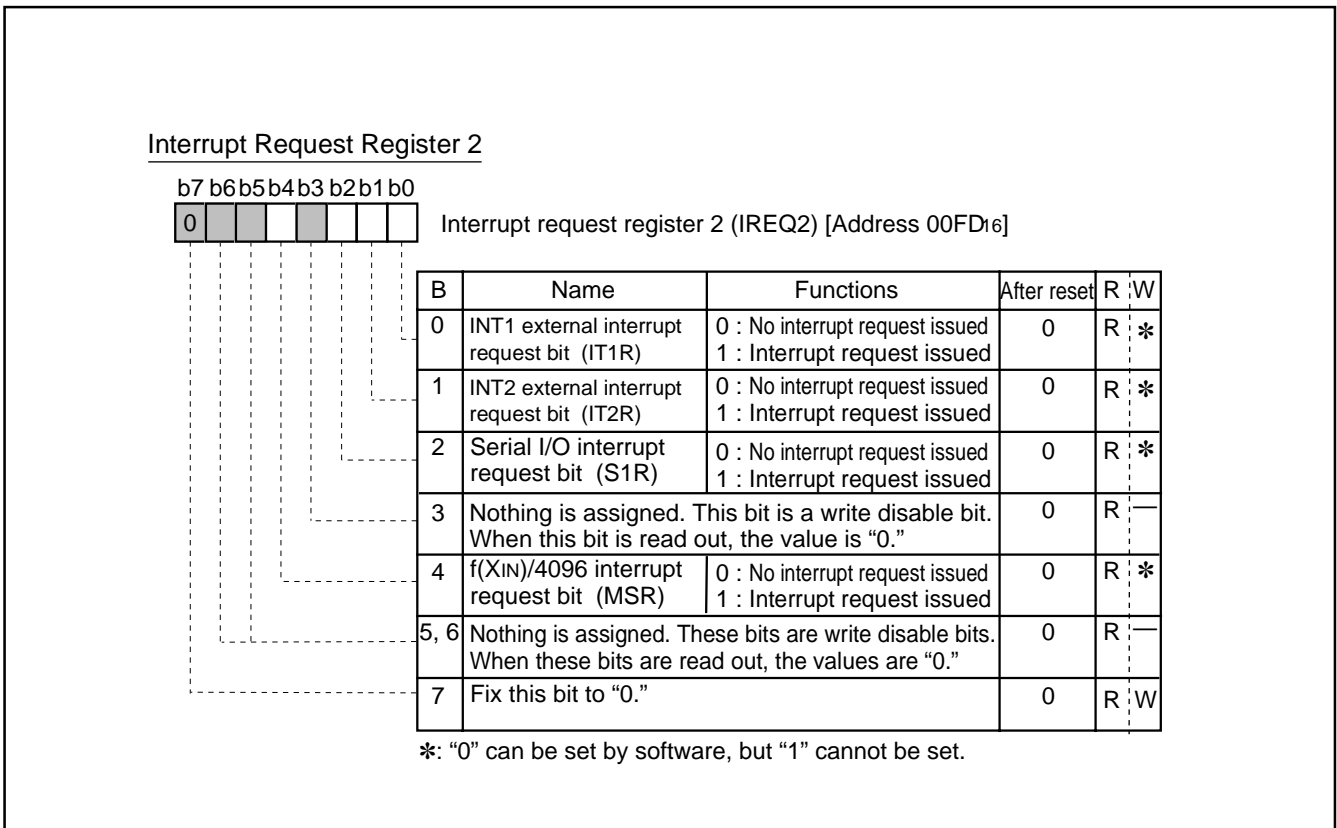


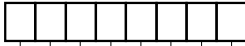
Fig. 8.3.3 Interrupt Request Register 2

**M37212M4/M8-XXXSP, M37212M6-XXXSP/FP  
M37212EFSP/FP**

SINGLE-CHIP 8-BIT CMOS MICROCOMPUTER for VOLTAGE SYNTHESIZER  
with ON-SCREEN DISPLAY CONTROLLER

Interrupt Control Register 1

b7 b6 b5 b4 b3 b2 b1 b0



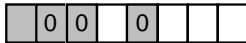
Interrupt control register 1 (ICON1) [Address 00FE<sub>16</sub>]

B	Name	Functions	After reset	R	W
0	Timer 1 interrupt enable bit (TM1E)	0 : Interrupt disabled 1 : Interrupt enabled	0	R	W
1	Timer 2 interrupt enable bit (TM2E)	0 : Interrupt disabled 1 : Interrupt enabled	0	R	W
2	Timer 3 interrupt enable bit (TM3E)	0 : Interrupt disabled 1 : Interrupt enabled	0	R	W
3	Timer 4 interrupt enable bit (TM4E)	0 : Interrupt disabled 1 : Interrupt enabled	0	R	W
4	OSD interrupt enable bit (OSDE)	0 : Interrupt disabled 1 : Interrupt enabled	0	R	W
5	VSYNC interrupt enable bit (VSCE)	0 : Interrupt disabled 1 : Interrupt enabled	0	R	W
6	Multi-master I <sup>2</sup> C-BUS interface interrupt enable bit (IICE)	0 : Interrupt disabled 1 : Interrupt enabled	0	R	W
7	INT3 external interrupt enable bit (IT3E)	0 : Interrupt disabled 1 : Interrupt enabled	0	R	W

Fig. 8.3.4 Interrupt Control Register 1

Interrupt Control Register 2

b7 b6 b5 b4 b3 b2 b1 b0



Interrupt control register 2 (ICON2) [Address 00FF<sub>16</sub>]

B	Name	Functions	After reset	R	W
0	INT1 external interrupt enable bit (IT1E)	0 : Interrupt disabled 1 : Interrupt enabled	0	R	W
1	INT2 external interrupt enable bit (IT2E)	0 : Interrupt disabled 1 : Interrupt enabled	0	R	W
2	Serial I/O interrupt enable bit (S1E)	0 : Interrupt disabled 1 : Interrupt enabled	0	R	W
3	Fix this bit to "0."		0	R	W
4	f(XIN)/4096 interrupt enable bit (MSE)	0 : Interrupt disabled 1 : Interrupt enabled	0	R	W
5, 6	Fix these bits to "0."		0	R	W
7	Nothing is assigned. These bits are write disable bits. When these bits are read out, the values are "indeterminate."		indeterminate	R	-

Fig. 8.3.5 Interrupt Control Register 2

**M37212M4/M8-XXXSP, M37212M6-XXXSP/FP  
M37212EFSP/FP**

SINGLE-CHIP 8-BIT CMOS MICROCOMPUTER for VOLTAGE SYNTHESIZER  
with ON-SCREEN DISPLAY CONTROLLER

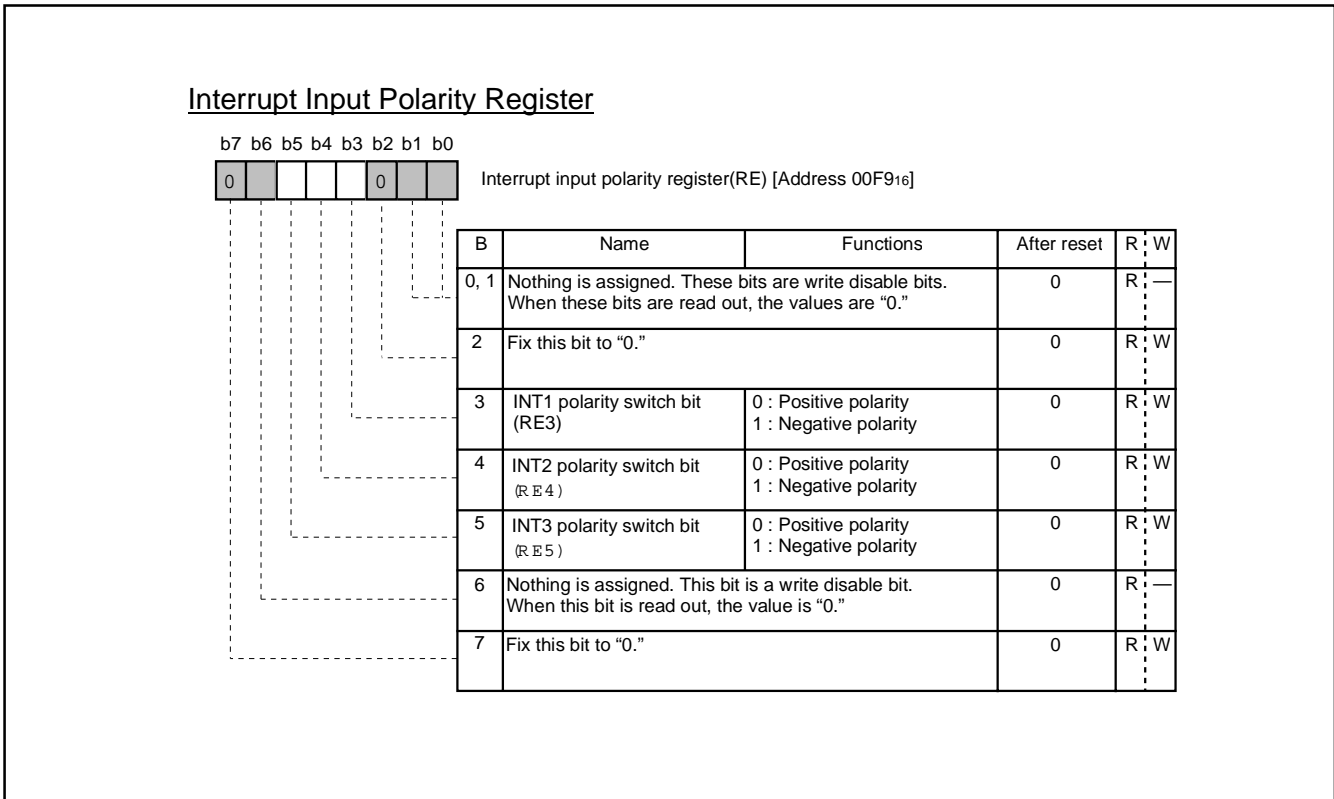


Fig. 8.3.6 Interrupt Input Polarity Register

# M37212M4/M8-XXXSP, M37212M6-XXXSP/FP M37212EFSP/FP

SINGLE-CHIP 8-BIT CMOS MICROCOMPUTER for VOLTAGE SYNTHESIZER  
with ON-SCREEN DISPLAY CONTROLLER

## 8.4 TIMERS

This microcomputer has 4 timers: timers 1 to 4. All timers are 8-bit timers with the 8-bit timer latch. The timer block diagram is shown in Figure 8.4.3.

All of the timers count down and their divide ratio is  $1/(n+1)$ , where  $n$  is the value of timer latch. By writing a count value to the corresponding timer latch (addresses 00F0<sub>16</sub> to 00F3<sub>16</sub>: timers 1 to 4), the value is also set to a timer, simultaneously.

The count value is decremented by 1. The timer interrupt request bit is set to "1" by a timer overflow at the next count pulse, after the count value reaches "00<sub>16</sub>."

### 8.4.1 Timer 1

Timer 1 can select one of the following count sources:

- $f(XIN)/16$
- $f(XIN)/4096$

The count source of timer 1 is selected by setting bit 0 of timer 12 mode register 1 (address 00F4<sub>16</sub>).

Timer interrupt request occurs at timer 1 overflow.

### 8.4.2 Timer 2

Timer 2 can select one of the following count sources:

- $f(XIN)/16$
- Timer 1 overflow signal
- External clock from the TIM2 pin

The count source of timer 2 is selected by setting bits 4 and 1 of timer 12 mode register (address 00F4<sub>16</sub>). When timer 1 overflow signal is a count source for the timer 2, the timer 1 functions as an 8-bit prescaler.

Timer 2 interrupt request occurs at timer 2 overflow.

### 8.4.3 Timer 3

Timer 3 can select one of the following count sources:

- $f(XIN)/16$
- External clock from the HSYNC pin
- External clock from the TIM3 pin

The count source of timer 3 is selected by setting bits 5 and 0 of timer 34 mode register (address 00F5<sub>16</sub>).

Timer 3 interrupt request occurs at timer 3 overflow.

### 8.4.4 Timer 4

Timer 4 can select one of the following count sources:

- $f(XIN)/16$
- $f(XIN)/2$
- Timer 3 overflow signal

The count source of timer 4 is selected by setting bits 1 and 4 of timer 34 mode register (address 00F5<sub>16</sub>). When timer 3 overflow signal is a count source for the timer 4, the timer 3 functions as an 8-bit prescaler.

Timer 4 interrupt request occurs at timer 4 overflow.

At reset, timers 3 and 4 are connected by hardware and "FF<sub>16</sub>" is automatically set in timer 3; "07<sub>16</sub>" in timer 4. The  $f(XIN)/16$  is selected as the timer 3 count source. The internal reset is released by timer 4 overflow in this state and the internal clock is connected.

At execution of the STP instruction, timers 3 and 4 are connected by hardware and "FF<sub>16</sub>" is automatically set in timer 3; "07<sub>16</sub>" in timer 4. However, the  $f(XIN)/16$  is not selected as the timer 3 count source. So set both bit 0 of timer 34 mode register (address 00F5<sub>16</sub>) and bit 6 at address 00C7<sub>16</sub> to "0" before execution of the STP instruction ( $f(XIN)/16$  is selected as the timer 3 count source). The internal STP state is released by timer 4 overflow in this state and the internal clock is connected.

As a result of the above procedure, the program can start under a stable clock.

The timer-related registers is shown in Figures 8.4.1 and 8.4.2.



**M37212M4/M8-XXXSP, M37212M6-XXXSP/FP  
M37212EFSP/FP**

SINGLE-CHIP 8-BIT CMOS MICROCOMPUTER for VOLTAGE SYNTHESIZER  
with ON-SCREEN DISPLAY CONTROLLER

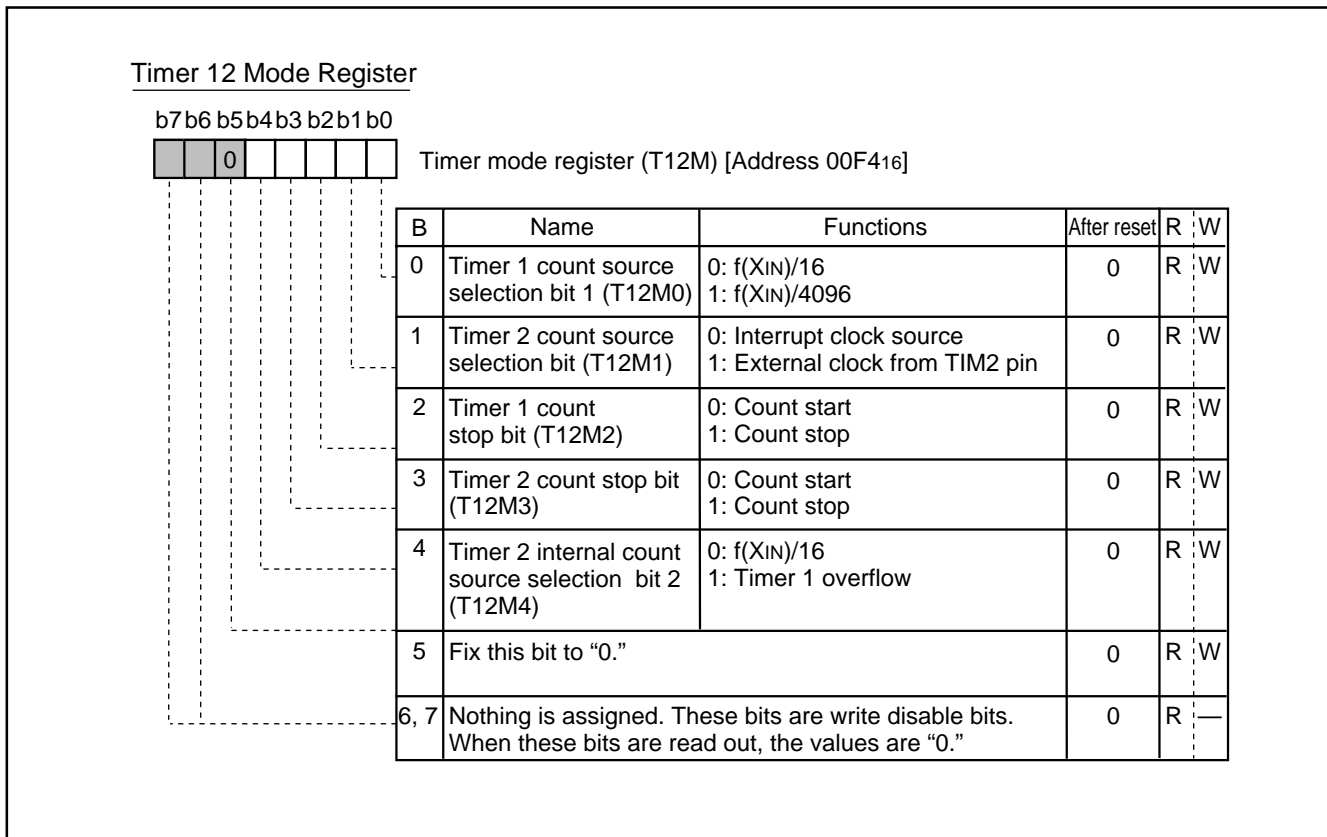


Fig. 8.4.1 Timer 12 Mode Register

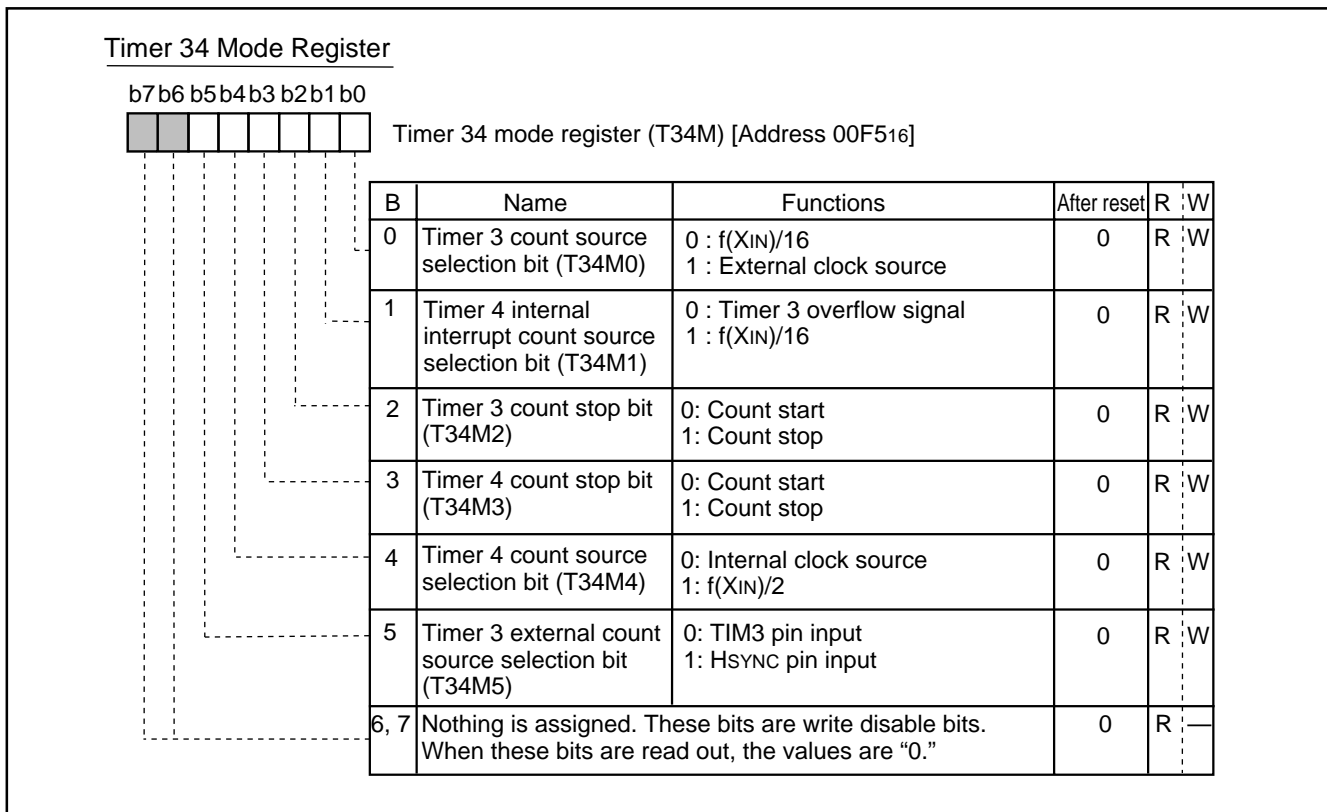


Fig. 8.4.2 Timer 34 Mode Register

# M37212M4/M8-XXXSP, M37212M6-XXXSP/FP M37212EFSP/FP

SINGLE-CHIP 8-BIT CMOS MICROCOMPUTER for VOLTAGE SYNTHESIZER  
with ON-SCREEN DISPLAY CONTROLLER

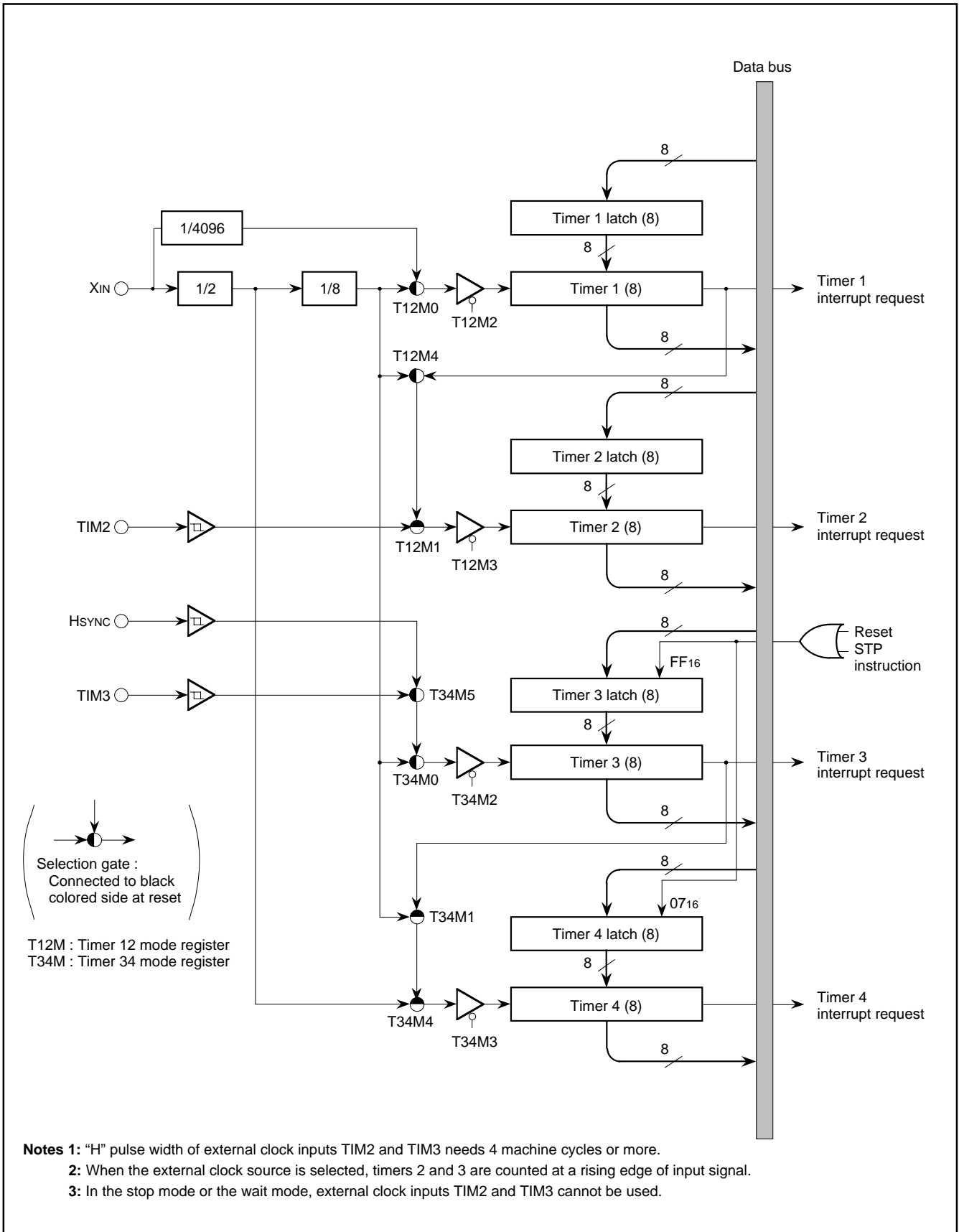


Fig. 8.4.3 Timer Block Diagram

# M37212M4/M8-XXXSP, M37212M6-XXXSP/FP M37212EFSP/FP

SINGLE-CHIP 8-BIT CMOS MICROCOMPUTER for VOLTAGE SYNTHESIZER  
with ON-SCREEN DISPLAY CONTROLLER

## 8.5 SERIAL I/O

This microcomputer has a built-in serial I/O which can either transmit or receive 8-bit data serially in the clock synchronous mode.

The serial I/O block diagram is shown in Figure 8.5.1. The synchronous clock I/O pin (SCLK), data output pin (SOUT), and data input pin (SIN) also functions as port P4.

Bit 3 of the serial I/O mode register (address 00DC16) selects whether the synchronous clock is supplied internally or externally (from the SCLK pin). When an internal clock is selected, bits 1 and 0 select whether  $f(XIN)$  or  $f(XCIN)$  is divided by 4, 16, 32, or 64. To use SIN pin for serial I/O, set the corresponding bit of the port P2 direction register (address 00C516) to "0."

The operation of the serial I/O is described below. The operation of the serial I/O differs depending on the clock source; external clock or internal clock.

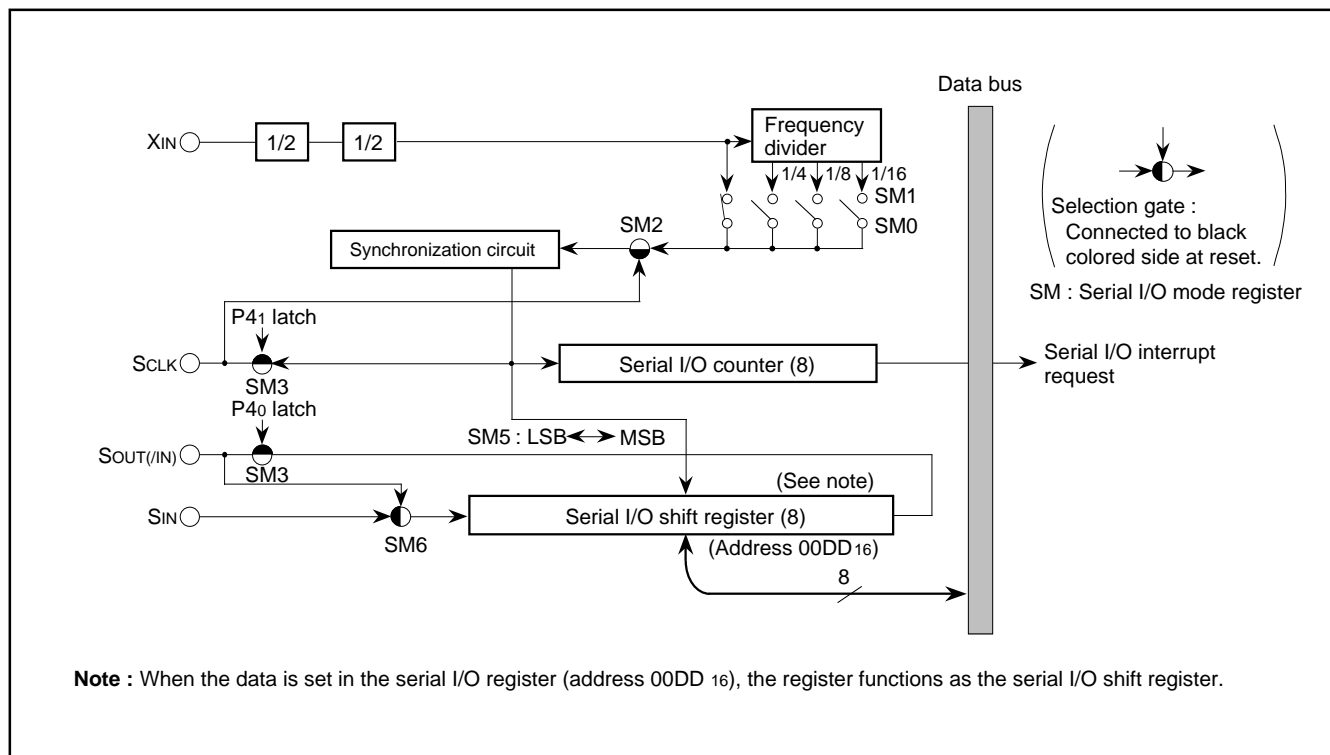


Fig. 8.5.1 Serial I/O Block Diagram

# M37212M4/M8-XXXSP, M37212M6-XXXSP/FP M37212EFSP/FP

SINGLE-CHIP 8-BIT CMOS MICROCOMPUTER for VOLTAGE SYNTHESIZER  
with ON-SCREEN DISPLAY CONTROLLER

**Internal clock :** The serial I/O counter is set to "7" during the write cycle into the serial I/O register (address 00DD16), and the transfer clock goes HIGH forcibly. At each falling edge of the transfer clock after the write cycle, serial data is output from the SOUT pin. Transfer direction can be selected by bit 5 of the serial I/O mode register. At each rising edge of the transfer clock, data is input from the SIN pin and data in the serial I/O register is shifted 1 bit.

After the transfer clock has counted 8 times, the serial I/O counter becomes "0" and the transfer clock stops at HIGH. At this time the interrupt request bit is set to "1."

**External clock :** The an external clock is selected as the clock source, the interrupt request is set to "1" after the transfer clock has been counted 8 counts. However, transfer operation does not stop, so the clock should be controlled externally. Use the external clock of 1 MHz or less with a duty cycle of 50%.

The serial I/O timing is shown in Figure 8.5.2. When using an external clock for transfer, the external clock must be held at HIGH for initializing the serial I/O counter. When switching between an internal clock and an external clock, do not switch during transfer. Also, be sure to initialize the serial I/O counter after switching.

**Notes 1:** On programming, note that the serial I/O counter is set by writing to the serial I/O register with the bit managing instructions, such as SEB and CLB.

**2:** When an external clock is used as the synchronous clock, write transmit data to the serial I/O register when the transfer clock input level is HIGH.

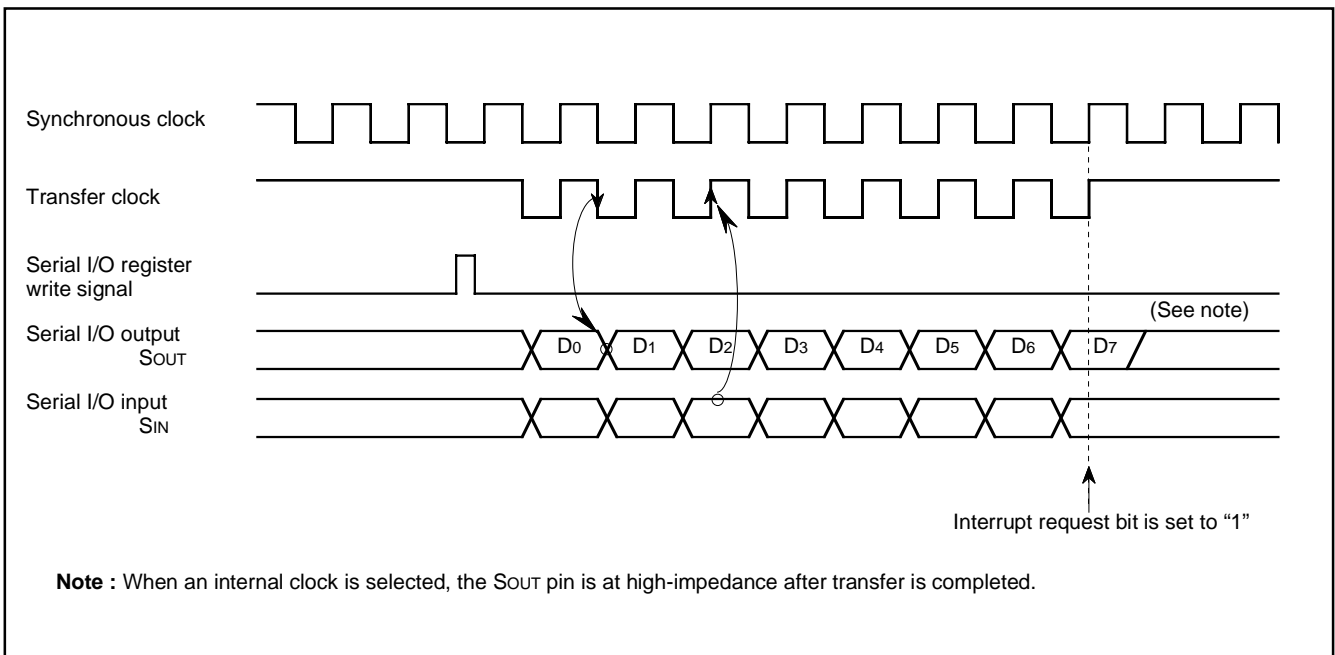


Fig. 8.5.2 Serial I/O Timing (for LSB first)

**M37212M4/M8-XXXSP, M37212M6-XXXSP/FP  
M37212EFSP/FP**

SINGLE-CHIP 8-BIT CMOS MICROCOMPUTER for VOLTAGE SYNTHESIZER  
with ON-SCREEN DISPLAY CONTROLLER

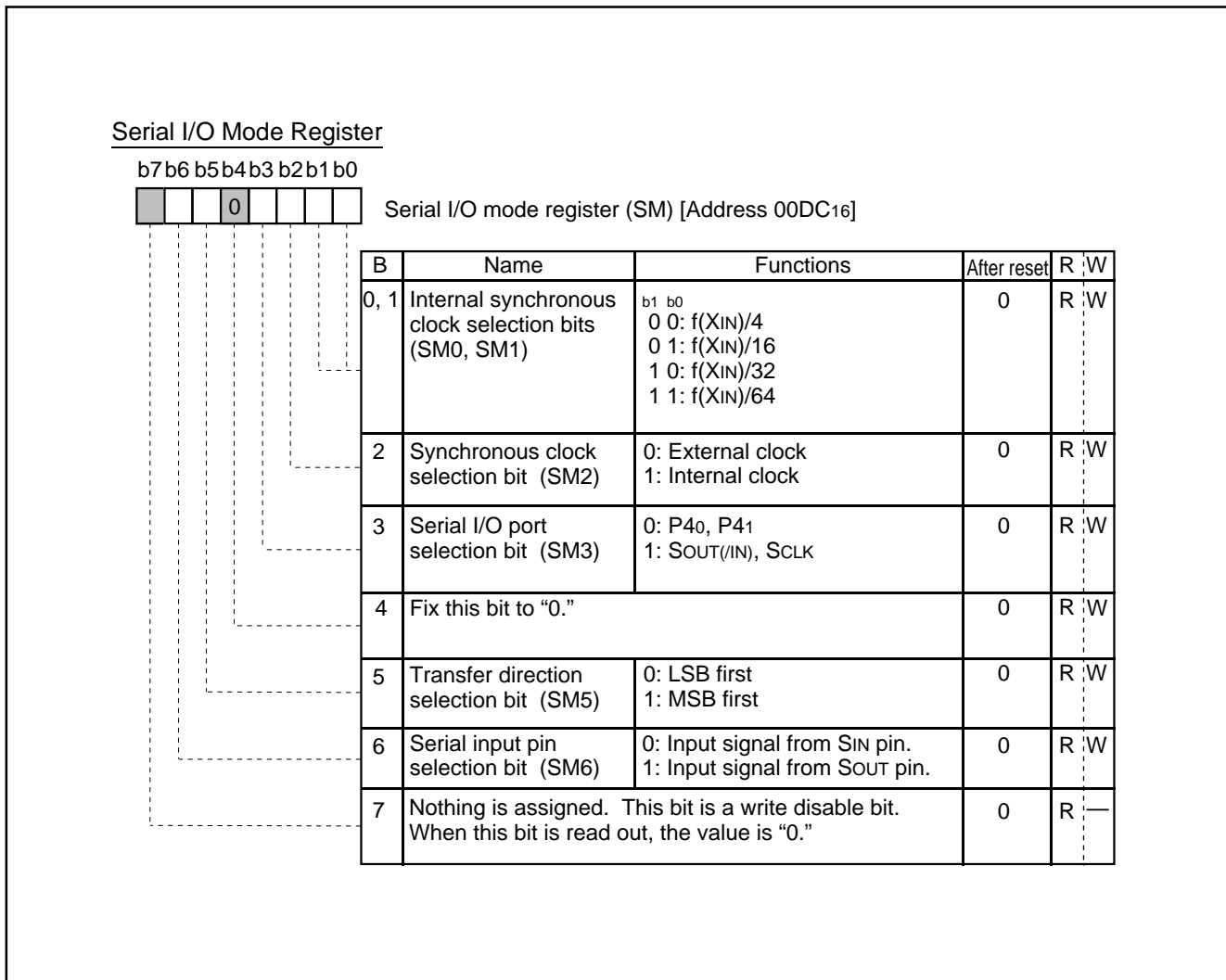


Fig. 8.5.3 Serial I/O Mode Register

**M37212M4/M8-XXXSP, M37212M6-XXXSP/FP  
M37212EFSP/FP**

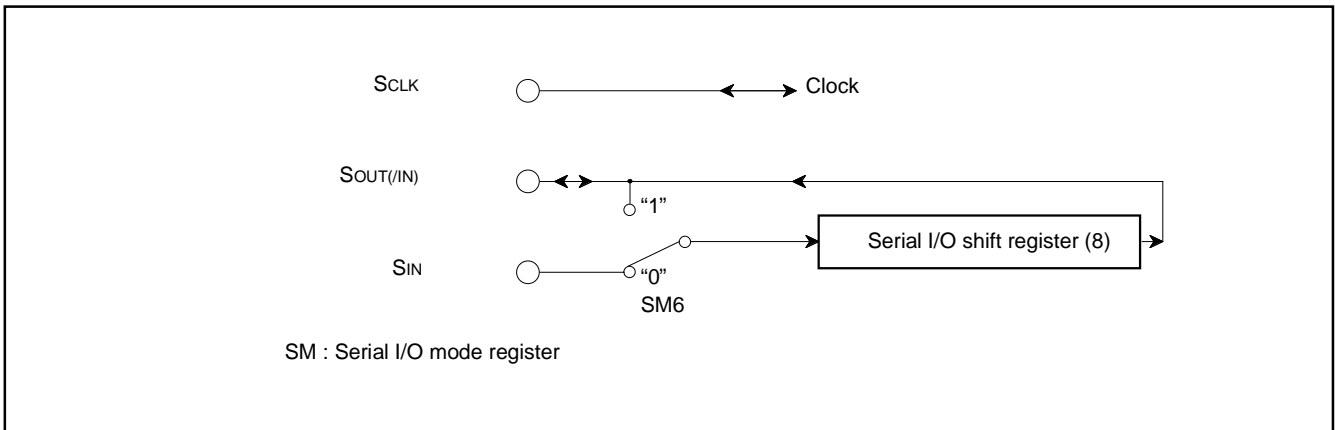
SINGLE-CHIP 8-BIT CMOS MICROCOMPUTER for VOLTAGE SYNTHESIZER  
with ON-SCREEN DISPLAY CONTROLLER

**8.5.1 Serial I/O Common Transmission/Reception mode**

By writing "1" to bit 6 of the serial I/O mode register, signals SIN and SOUT are switched internally to be able to transmit or receive the serial data.

Figure 8.5.4 shows signals on serial I/O common transmission/reception mode.

**Note:** When receiving the serial data after writing "FF16" to the serial I/O register.



**Fig. 8.5.4 Signals on Serial I/O Common Transmission/Reception Mode**

# M37212M4/M8-XXXSP, M37212M6-XXXSP/FP M37212EFSP/FP

SINGLE-CHIP 8-BIT CMOS MICROCOMPUTER for VOLTAGE SYNTHESIZER  
with ON-SCREEN DISPLAY CONTROLLER

## 8.6 MULTI-MASTER I<sup>2</sup>C-BUS INTERFACE

The multi-master I<sup>2</sup>C-BUS interface is a serial communications circuit, conforming to the Philips I<sup>2</sup>C-BUS data transfer format. This interface, offering both arbitration lost detection and a synchronous functions, is useful for the multi-master serial communications. Figure 8.6.1 shows a block diagram of the multi-master I<sup>2</sup>C-BUS interface and Table 8.6.1 shows multi-master I<sup>2</sup>C-BUS interface functions.

This multi-master I<sup>2</sup>C-BUS interface consists of the I<sup>2</sup>C address register, the I<sup>2</sup>C data shift register, the I<sup>2</sup>C clock control register, the I<sup>2</sup>C control register, the I<sup>2</sup>C status register and other control circuits.

Table 8.6.1 Multi-master I<sup>2</sup>C-BUS Interface Functions

Item	Function
Format	In conformity with Philips I <sup>2</sup> C-BUS standard: 10-bit addressing format 7-bit addressing format High-speed clock mode Standard clock mode
Communication mode	In conformity with Philips I <sup>2</sup> C-BUS standard: Master transmission Master reception Slave transmission Slave reception
SCL clock frequency	16.1 kHz to 400 kHz (at $\phi = 4$ MHz)

$\phi$  : System clock =  $f(XIN)/2$

**Note** : We are not responsible for any third party's infringement of patent rights or other rights attributable to the use of the control function (bits 6 and 7 of the I<sup>2</sup>C control register at address 00DA16) for connections between the I<sup>2</sup>C-BUS interface and ports (SCL1, SCL2, SDA1, SDA2).

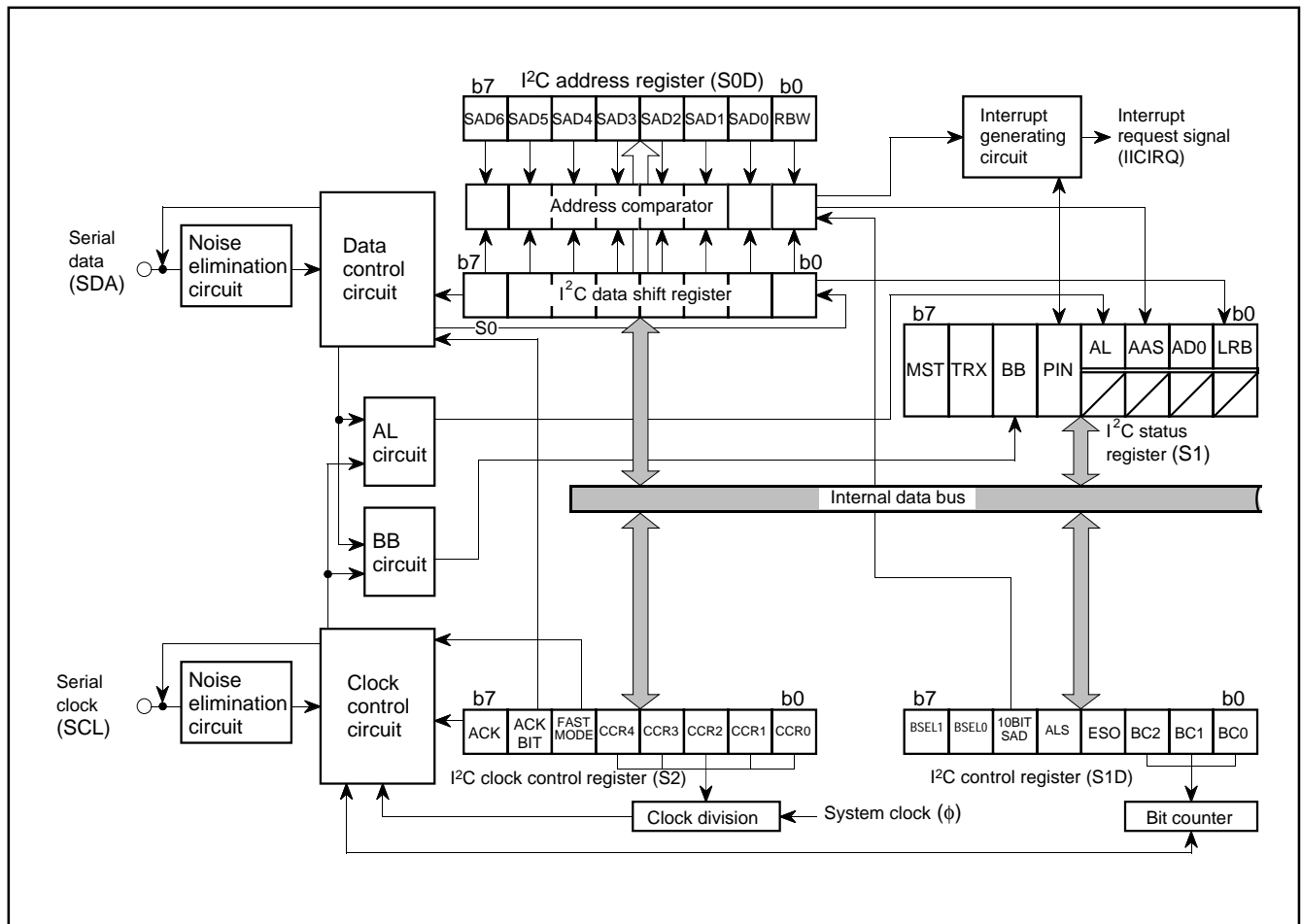


Fig. 8.6.1 Block Diagram of Multi-master I<sup>2</sup>C-BUS Interface

# M37212M4/M8-XXXSP, M37212M6-XXXSP/FP M37212EFSP/FP

SINGLE-CHIP 8-BIT CMOS MICROCOMPUTER for VOLTAGE SYNTHESIZER  
with ON-SCREEN DISPLAY CONTROLLER

## 8.6.1 I<sup>2</sup>C Data Shift Register

The I<sup>2</sup>C data shift register (S0 : address 00D7<sub>16</sub>) is an 8-bit shift register to store receive data and write transmit data.

When transmit data is written into this register, it is transferred to the outside from bit 7 in synchronization with the SCL clock, and each time one-bit data is output, the data of this register are shifted one bit to the left. When data is received, it is input to this register from bit 0 in synchronization with the SCL clock, and each time one-bit data is input, the data of this register are shifted one bit to the left.

The I<sup>2</sup>C data shift register is in a write enable status only when the ESO bit of the I<sup>2</sup>C control register (address 00DA<sub>16</sub>) is "1." The bit counter is reset by a write instruction to the I<sup>2</sup>C data shift register. When both the ESO bit and the MST bit of the I<sup>2</sup>C status register (address 00D9<sub>16</sub>) are "1," the SCL is output by a write instruction to the I<sup>2</sup>C data shift register. Reading data from the I<sup>2</sup>C data shift register is always enabled regardless of the ESO bit value.

**Note:** To write data into the I<sup>2</sup>C data shift register after setting the MST bit to "0" (slave mode), keep an interval of 8 machine cycles or more.

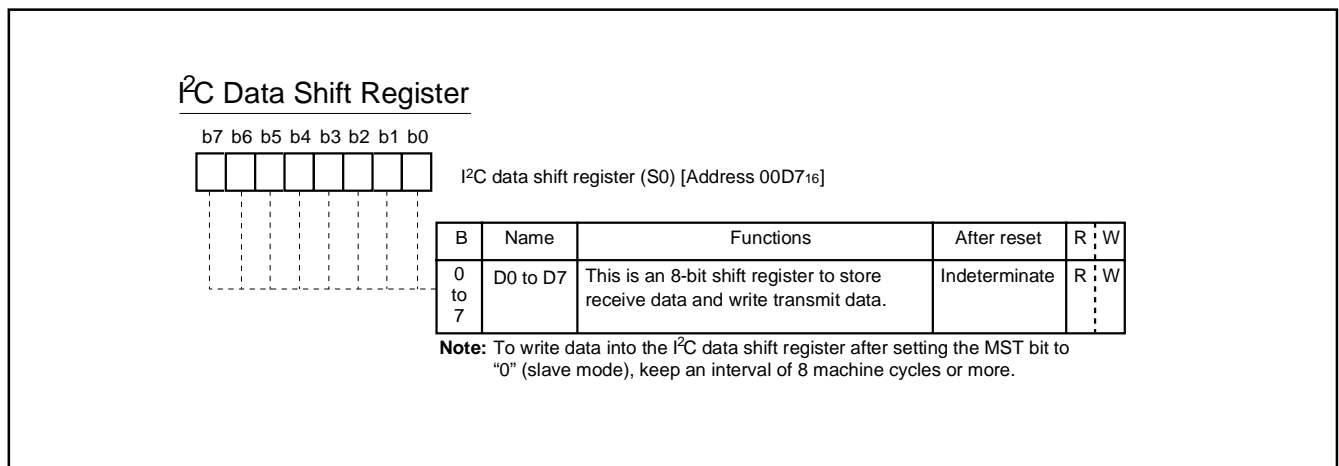


Fig. 8.6.2 Data Shift Register



# M37212M4/M8-XXXSP, M37212M6-XXXSP/FP M37212EFSP/FP

SINGLE-CHIP 8-BIT CMOS MICROCOMPUTER for VOLTAGE SYNTHESIZER  
with ON-SCREEN DISPLAY CONTROLLER

## 8.6.2 I<sup>2</sup>C Address Register

The I<sup>2</sup>C address register (address 00D8<sub>16</sub>) consists of a 7-bit slave address and a read/write bit. In the addressing mode, the slave address written in this register is compared with the address data to be received immediately after the START condition are detected.

### (1) Bit 0: read/write bit (RBW)

Not used when comparing addresses, in the 7-bit addressing mode. In the 10-bit addressing mode, the first address data to be received is compared with the contents (SAD<sub>6</sub> to SAD<sub>0</sub> + RBW) of the I<sup>2</sup>C address register.

The RBW bit is cleared to "0" automatically when the stop condition is detected.

### (2) Bits 1 to 7: slave address (SAD<sub>0</sub>-SAD<sub>6</sub>)

These bits store slave addresses. Regardless of the 7-bit addressing mode and the 10-bit addressing mode, the address data transmitted from the master is compared with the contents of these bits.

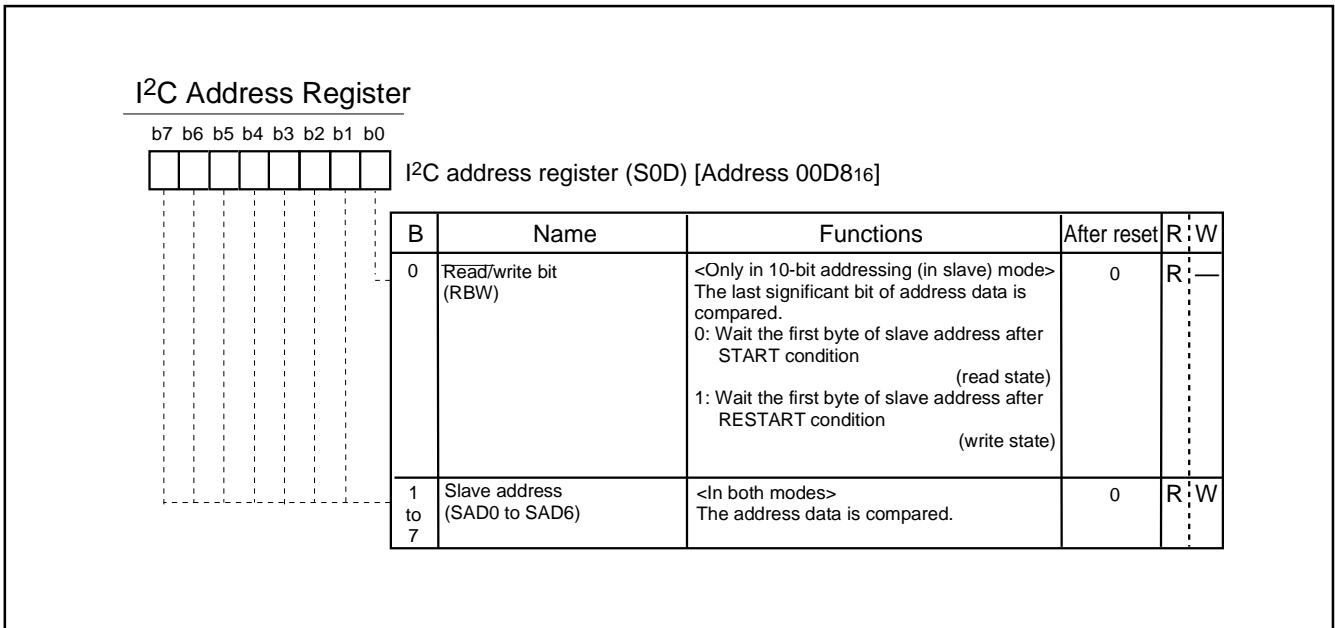


Fig. 8.6.3 I<sup>2</sup>C Address Register

# M37212M4/M8-XXXSP, M37212M6-XXXSP/FP M37212EFSP/FP

SINGLE-CHIP 8-BIT CMOS MICROCOMPUTER for VOLTAGE SYNTHESIZER  
with ON-SCREEN DISPLAY CONTROLLER

### 8.6.3 I<sup>2</sup>C Clock Control Register

The I<sup>2</sup>C clock control register (address 00DB16) is used to set ACK control, SCL mode and SCL frequency.

#### (1) Bits 0 to 4: SCL frequency control bits (CCR0-CCR4)

These bits control the SCL frequency.

#### (2) Bit 5: SCL mode specification bit (FAST MODE)

This bit specifies the SCL mode. When this bit is set to "0," the standard clock mode is set. When the bit is set to "1," the high-speed clock mode is set.

#### (3) Bit 6: ACK bit (ACK BIT)

This bit sets the SDA status when an ACK clock\* is generated. When this bit is set to "0," the ACK return mode is set and SDA goes to LOW at the occurrence of an ACK clock. When the bit is set to "1," the ACK non-return mode is set. The SDA is held in the HIGH status at the occurrence of an ACK clock.

However, when the slave address matches the address data in the reception of address data at ACK BIT = "0," the SDA is automatically made LOW (ACK is returned). If there is a mismatch between the slave address and the address data, the SDA is automatically made HIGH (ACK is not returned).

#### (4) Bit 7: ACK clock bit (ACK)

This bit specifies a mode of acknowledgment which is an acknowledgment response of data transmission. When this bit is set to "0," the no ACK clock mode is set. In this case, no ACK clock occurs after data transmission. When the bit is set to "1," the ACK clock mode is set and the master generates an ACK clock upon completion of each 1-byte data transmission. The device for transmitting address data and control data releases the SDA at the occurrence of an ACK clock (make SDA HIGH) and receives the ACK bit generated by the data receiving device.

**Note:** Do not write data into the I<sup>2</sup>C clock control register during transmission. If data is written during transmission, the I<sup>2</sup>C clock generator is reset, so that data cannot be transmitted normally.

\*ACK clock: Clock for acknowledgement

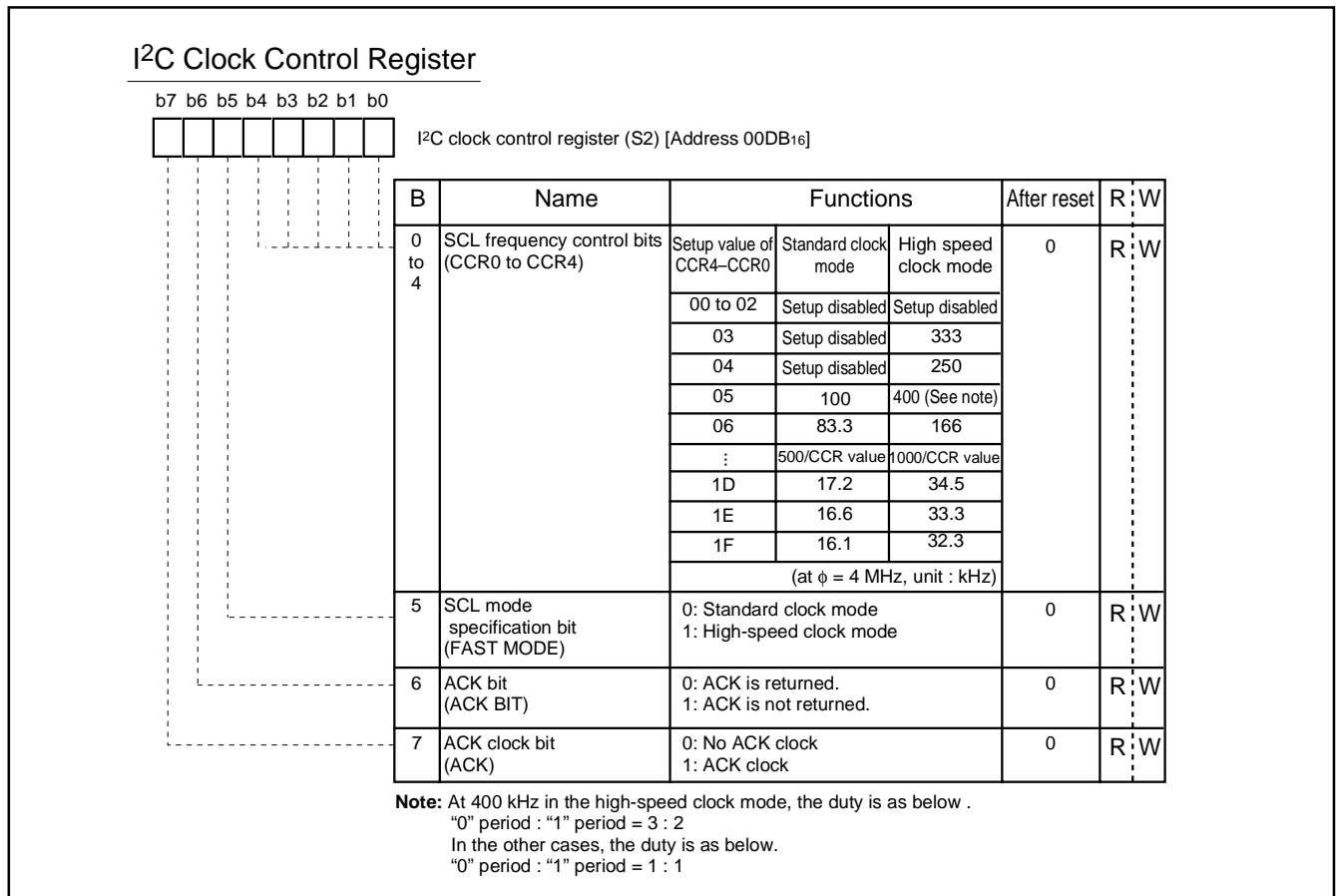


Fig. 8.6.4 I<sup>2</sup>C Address Register

# M37212M4/M8-XXXSP, M37212M6-XXXSP/FP M37212EFSP/FP

SINGLE-CHIP 8-BIT CMOS MICROCOMPUTER for VOLTAGE SYNTHESIZER  
with ON-SCREEN DISPLAY CONTROLLER

## 8.6.4 I<sup>2</sup>C Control Register

The I<sup>2</sup>C control register (address 00DA16) controls the data communication format.

### (1) Bits 0 to 2: bit counter (BC0-BC2)

These bits decide the number of bits for the next 1-byte data to be transmitted. An interrupt request signal occurs immediately after the number of bits specified with these bits are transmitted. When a START condition is received, these bits become "0002" and the address data is always transmitted and received in 8 bits.

### (2) Bit 3: I<sup>2</sup>C interface use enable bit (ESO)

This bit enables usage of the multimaster I<sup>2</sup>C BUS interface. When this bit is set to "0," the use disable status is provided, so the SDA and the SCL become high-impedance. When the bit is set to "1," use of the interface is enabled.

When ESO = "0," the following is performed.

- PIN = "1," BB = "0" and AL = "0" are set (they are bits of the I<sup>2</sup>C status register at address 00D916).
- Writing data to the I<sup>2</sup>C data shift register (address 00D716) is disabled.

### (3) Bit 4: data format selection bit (ALS)

This bit decides whether or not to recognize slave addresses. When this bit is set to "0," the addressing format is selected, so that address data is recognized. When a match is found between a slave address and address data as a result of comparison or when a general call (refer to "8.6.5 I<sup>2</sup>C Status Register," bit 1) is received, transmission processing can be performed. When this bit is set to "1," the free data format is selected, so that slave addresses are not recognized.

### (4) Bit 5: addressing format selection bit (10BIT SAD)

This bit selects a slave address specification format. When this bit is set to "0," the 7-bit addressing format is selected. In this case, only the high-order 7 bits (slave address) of the I<sup>2</sup>C address register (address 00D816) are compared with address data. When this bit is set to "1," the 10-bit addressing format is selected, all the bits of the I<sup>2</sup>C address register are compared with address data.

### (5) Bits 6 and 7: connection control bits between I<sup>2</sup>C-BUS interface and ports (BSEL0, BSEL1)

These bits controls the connection between SCL and ports or SDA and ports (refer to Figure 8.6.5).

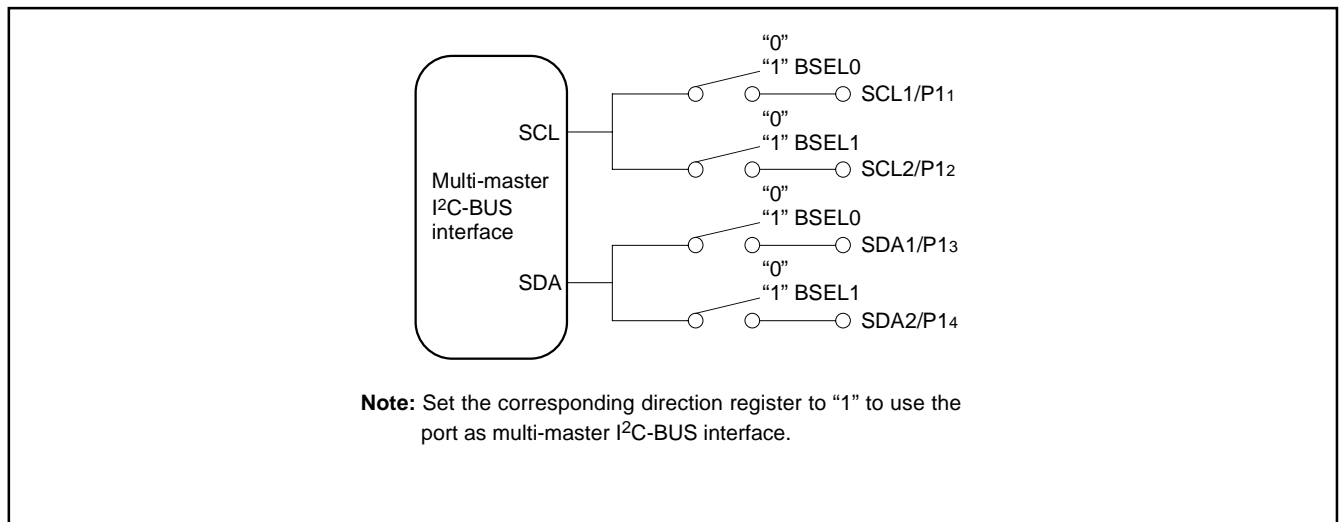


Fig. 8.6.5 Connection Port Control by BSEL0 and BSEL1

**M37212M4/M8-XXXSP, M37212M6-XXXSP/FP  
M37212EFSP/FP**

SINGLE-CHIP 8-BIT CMOS MICROCOMPUTER for VOLTAGE SYNTHESIZER  
with ON-SCREEN DISPLAY CONTROLLER

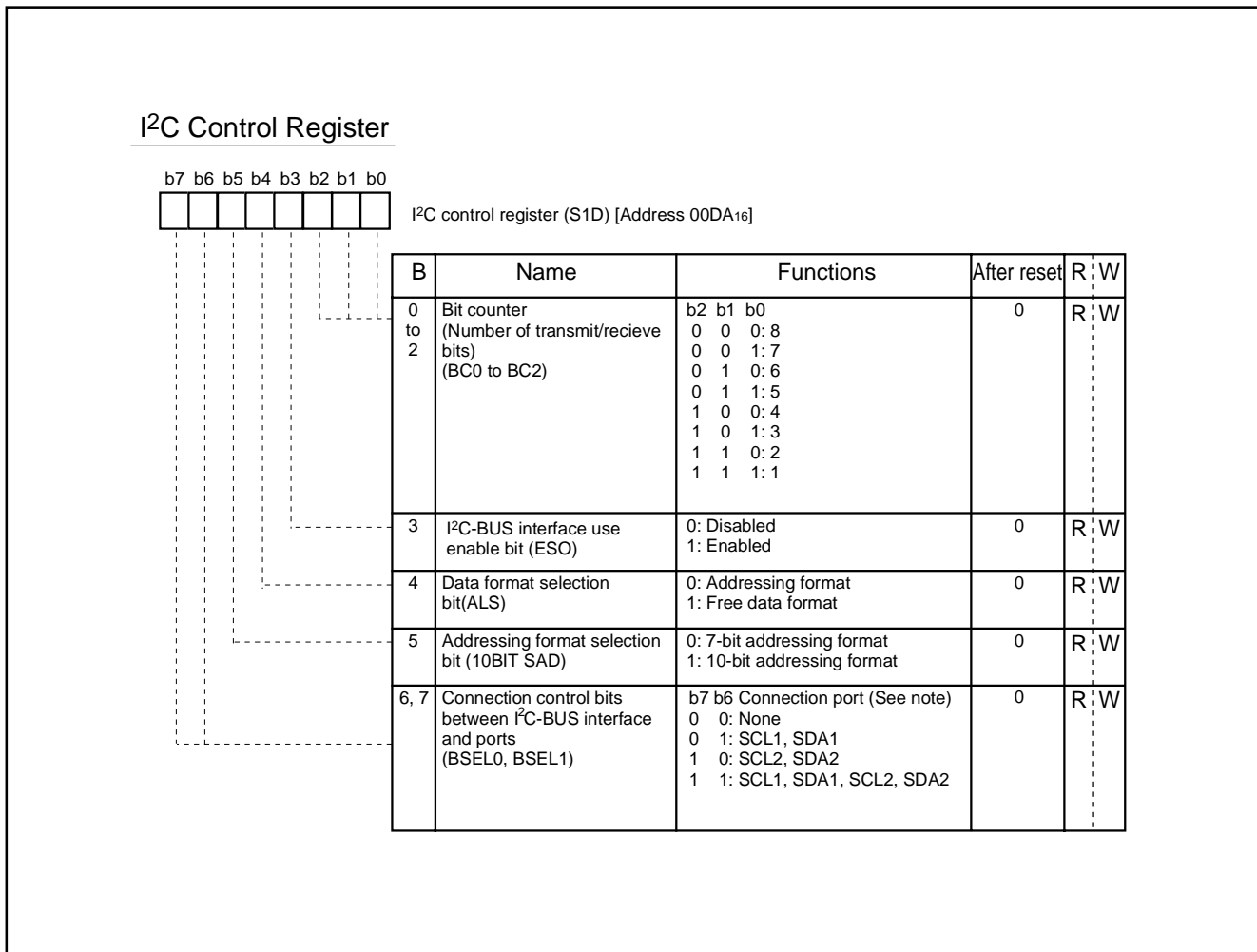


Fig. 8.6.6 I<sup>2</sup>C Control Register

# M37212M4/M8–XXXSP, M37212M6–XXXSP/FP M37212EFSP/FP

SINGLE-CHIP 8-BIT CMOS MICROCOMPUTER for VOLTAGE SYNTHESIZER  
with ON-SCREEN DISPLAY CONTROLLER

## 8.6.5 I<sup>2</sup>C Status Register

The I<sup>2</sup>C status register (address 00D916) controls the I<sup>2</sup>C-BUS interface status. The low-order 4 bits are read-only bits and the high-order 4 bits can be read out and written to.

### (1) Bit 0: last receive bit (LRB)

This bit stores the last bit value of received data and can also be used for ACK receive confirmation. If ACK is returned when an ACK clock occurs, the LRB bit is set to "0." If ACK is not returned, this bit is set to "1." Except in the ACK mode, the last bit value of received data is input. The state of this bit is changed from "1" to "0" by executing a write instruction to the I<sup>2</sup>C data shift register (address 00D716).

### (2) Bit 1: general call detecting flag (AD0)

This bit is set to "1" when a general call\* whose address data is all "0" is received in the slave mode. By a general call of the master device, every slave device receives control data after the general call. The AD0 bit is set to "0" by detecting the STOP condition or START condition.

\*General call: The master transmits the general call address "0016" to all slaves.

### (3) Bit 2: slave address comparison flag (AAS)

This flag indicates a comparison result of address data.

- In the slave receive mode, when the 7-bit addressing format is selected, this bit is set to "1" in one of the following conditions.
  - The address data immediately after occurrence of a START condition matches the slave address stored in the high-order 7 bits of the I<sup>2</sup>C address register (address 00D816).
  - A general call is received.
- In the slave reception mode, when the 10-bit addressing format is selected, this bit is set to "1" with the following condition.
  - When the address data is compared with the I<sup>2</sup>C address register (8 bits consists of slave address and RBW), the first bytes match.
- The state of this bit is changed from "1" to "0" by executing a write instruction to the I<sup>2</sup>C data shift register (address 00D716).

### (4) Bit 3: arbitration lost\* detecting flag (AL)

In the master transmission mode, when a device other than the microcomputer sets the SDA to "L," arbitration is judged to have been lost, so that this bit is set to "1." At the same time, the TRX bit is set to "0," so that immediately after transmission of the byte whose arbitration was lost is completed, the MST bit is set to "0." When arbitration is lost during slave address transmission, the TRX bit is set to "0" and the reception mode is set. Consequently, it becomes possible to receive and recognize its own slave address transmitted by another master device.

\*Arbitration lost: The status in which communication as a master is disabled.

### (5) Bit 4: I<sup>2</sup>C-BUS interface interrupt request bit (PIN)

This bit generates an interrupt request signal. Each time 1-byte data is transmitted, the state of the PIN bit changes from "1" to "0." At the same time, an interrupt request signal is sent to the CPU. The PIN bit is set to "0" in synchronization with a falling edge of the last clock (including the ACK clock) of an internal clock and an interrupt request signal occurs in synchronization with a falling edge of the PIN bit. When the PIN bit is "0," the SCL is kept in the "0" state and clock generation is disabled. Figure 8.6.8 shows an interrupt request signal generating timing chart.

The PIN bit is set to "1" in any one of the following conditions.

- Executing a write instruction to the I<sup>2</sup>C data shift register (address 00D716).
- When the ESO bit is "0"
- At reset

The conditions in which the PIN bit is set to "0" are shown below:

- Immediately after completion of 1-byte data transmission (including when arbitration lost is detected)
- Immediately after completion of 1-byte data reception
- In the slave reception mode, with ALS = "0" and immediately after completion of slave address or general call address reception
- In the slave reception mode, with ALS = "1" and immediately after completion of address data reception

### (6) Bit 5: bus busy flag (BB)

This bit indicates the status of use of the bus system. When this bit is set to "0," this bus system is not busy and a START condition can be generated. When this bit is set to "1," this bus system is busy and the occurrence of a START condition is disabled by the START condition duplication prevention function (See note).

This flag can be written by software only in the master transmission mode. In the other modes, this bit is set to "1" by detecting a START condition and set to "0" by detecting a STOP condition. When the ESO bit of the I<sup>2</sup>C control register (address 00DA16) is "0" and at reset, the BB flag is kept in the "0" state.

### (7) Bit 6: communication mode specification bit (transfer direction specification bit: TRX)

This bit decides the direction of transfer for data communication. When this bit is "0," the reception mode is selected and the data of a transmitting device is received. When the bit is "1," the transmission mode is selected and address data and control data are output into the SDA in synchronization with the clock generated on the SCL.

When the ALS bit of the I<sup>2</sup>C control register (address 00DA16) is "0" in the slave reception mode is selected, the TRX bit is set to "1" (transmit) if the least significant bit (R/W bit) of the address data transmitted by the master is "1." When the ALS bit is "0" and the R/W bit is "0," the TRX bit is cleared to "0" (receive).

The TRX bit is cleared to "0" in one of the following conditions.

- When arbitration lost is detected.
- When a STOP condition is detected.
- When occurrence of a START condition is disabled by the START condition duplication prevention function (Note).
- With MST = "0" and when a START condition is detected.
- With MST = "0" and when ACK non-return is detected.
- At reset

# M37212M4/M8-XXXSP, M37212M6-XXXSP/FP M37212EFSP/FP

SINGLE-CHIP 8-BIT CMOS MICROCOMPUTER for VOLTAGE SYNTHESIZER  
with ON-SCREEN DISPLAY CONTROLLER

## (8) Bit 7: Communication mode specification bit (master/slave specification bit: MST)

This bit is used for master/slave specification for data communication. When this bit is "0," the slave is specified, so that a START condition and a STOP condition generated by the master are received, and data communication is performed in synchronization with the clock generated by the master. When this bit is "1," the master is specified and a START condition and a STOP condition are generated, and also the clocks required for data communication are generated on the SCL.

The MST bit is cleared to "0" in one of the following conditions.

- Immediately after completion of 1-byte data transmission when arbitration lost is detected
- When a STOP condition is detected.
- When occurrence of a START condition is disabled by the START condition duplication preventing function (Note).
- At reset

**Note:** The START condition duplication prevention function disables the START condition generation, reset of bit counter reset, and SCL output, when the following condition is satisfied:  
a START condition is set by another master device.

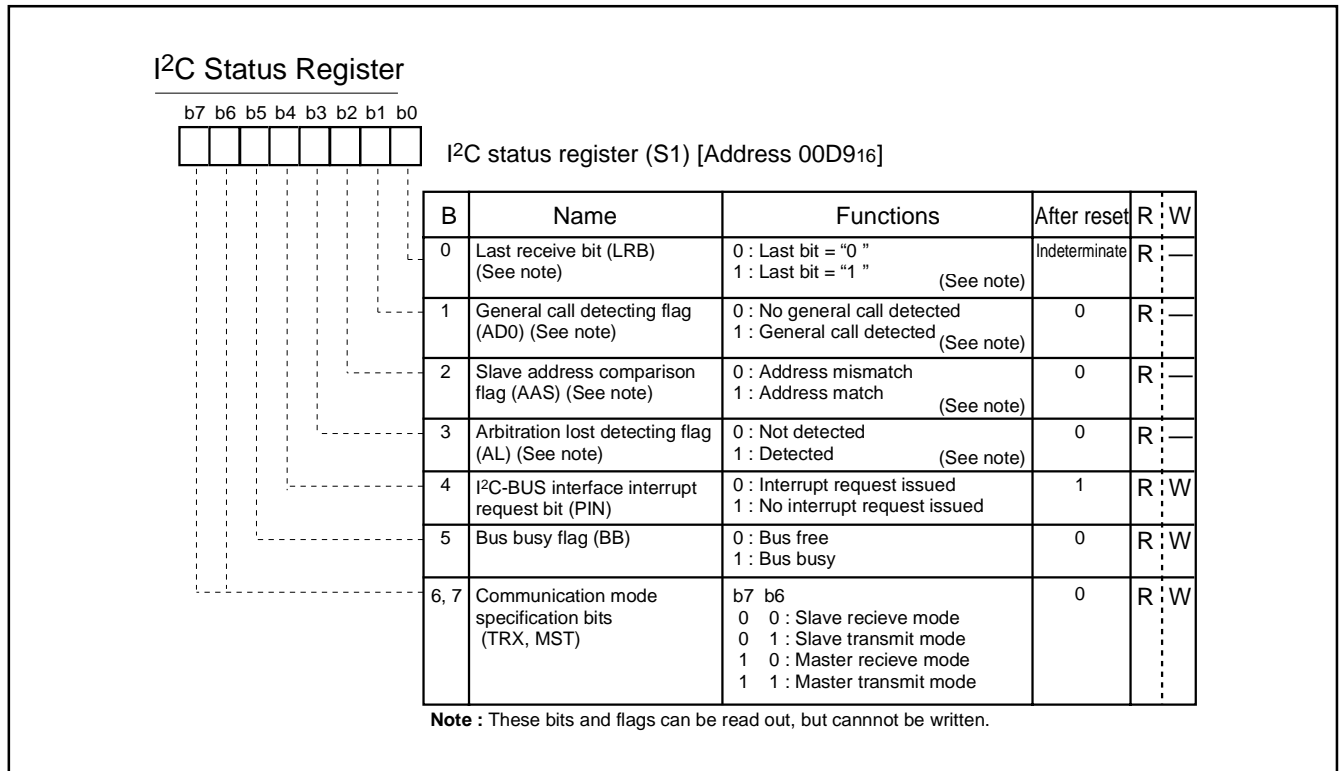


Fig. 8.6.7 I<sup>2</sup>C Status Register

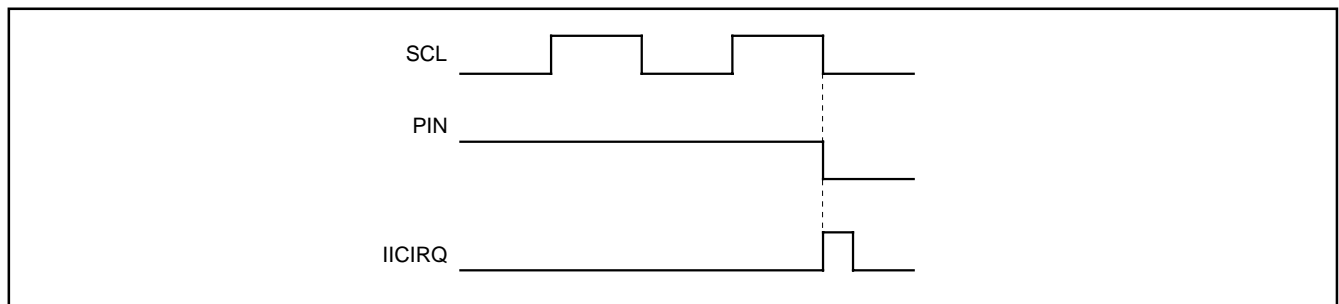


Fig. 8.6.8 Interrupt Request Signal Generation Timing

# M37212M4/M8-XXXSP, M37212M6-XXXSP/FP M37212EFSP/FP

SINGLE-CHIP 8-BIT CMOS MICROCOMPUTER for VOLTAGE SYNTHESIZER  
with ON-SCREEN DISPLAY CONTROLLER

### 8.6.6 START Condition Generation Method

When the ESO bit of the I<sup>2</sup>C control register (address 00DA<sub>16</sub>) is "1," execute a write instruction to the I<sup>2</sup>C status register (address 00D9<sub>16</sub>) to set the MST, TRX and BB bits to "1." A START condition will then be generated. After that, the bit counter becomes "000<sub>2</sub>" and an SCL for 1 byte is output. The START condition generation timing and BB bit set timing are different in the standard clock mode and the high-speed clock mode. Refer to Figure 8.6.9 for the START condition generation timing diagram, and Table 8.6.2 for the START condition/STOP condition generation timing table.

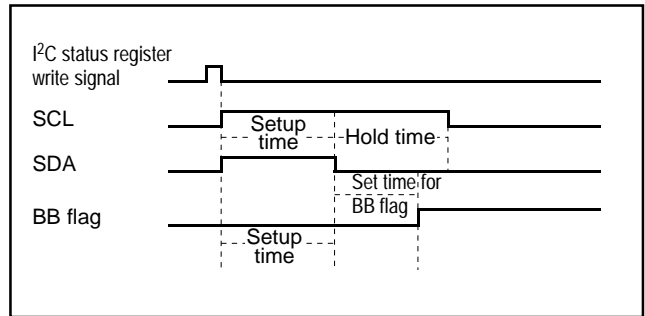


Fig. 8.6.9 START Condition Generation Timing Diagram

### 8.6.7 STOP Condition Generation Method

When the ESO bit of the I<sup>2</sup>C control register (address 00DA<sub>16</sub>) is "1," execute a write instruction to the I<sup>2</sup>C status register (address 00D9<sub>16</sub>) for setting the MST bit and the TRX bit to "1" and the BB bit to "0". A STOP condition will then be generated. The STOP condition generation timing and the BB flag reset timing are different in the standard clock mode and the high-speed clock mode. Refer to Figure 8.6.10 for the STOP condition generation timing diagram, and Table 8.6.2 for the START condition/STOP condition generation timing table.

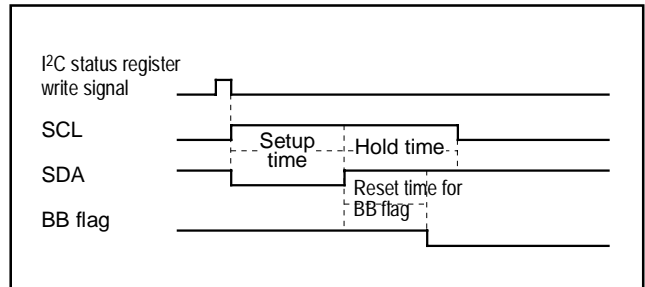


Fig. 8.6.10 STOP Condition Generation Timing Diagram

Table 8.6.2 START Condition/STOP Condition Generation Timing Table

Item	Standard Clock Mode	High-speed Clock Mode
Setup time (START condition)	5.0 μs (20 cycles)	2.5 μs (10 cycles)
Setup time (STOP condition)	4.25 μs (17 cycles)	1.75 μs (7 cycles)
Hold time	5.0 μs (20 cycles)	2.5 μs (10 cycles)
Set/reset time for BB flag	3.0 μs (12 cycles)	1.5 μs (6 cycles)

Note: Absolute time at  $\phi = 4$  MHz. The value in parentheses denotes the number of  $\phi$  cycles.

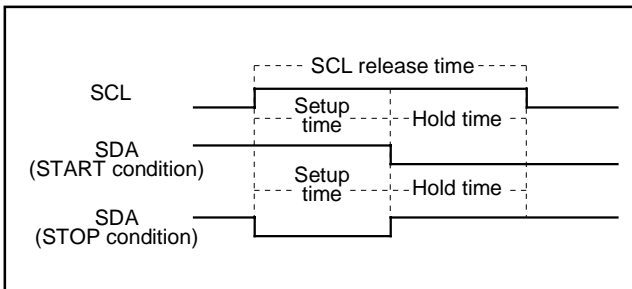
# M37212M4/M8-XXXSP, M37212M6-XXXSP/FP M37212EFSP/FP

SINGLE-CHIP 8-BIT CMOS MICROCOMPUTER for VOLTAGE SYNTHESIZER  
with ON-SCREEN DISPLAY CONTROLLER

## 8.6.8 START/STOP Condition Detect Conditions

The START/STOP condition detect conditions are shown in Figure 8.6.11 and Table 8.6.3. Only when the 3 conditions of Table 8.6.3 are satisfied, a START/STOP condition can be detected.

**Note:** When a STOP condition is detected in the slave mode (MST = 0), an interrupt request signal "LICIRQ" is generated to the CPU.



**Fig. 8.6.11 START Condition/STOP Condition Detect Timing Diagram**

**Table 8.6.3 START Condition/STOP Condition Detect Conditions**

Standard Clock Mode	High-speed Clock Mode
6.5 μs (26 cycles) < SCL release time	1.0 μs (4 cycles) < SCL release time
3.25 μs (13 cycles) < Setup time	0.5 μs (2 cycles) < Setup time
3.25 μs (13 cycles) < Hold time	0.5 μs (2 cycles) < Hold time

**Note:** Absolute time at φ = 4 MHz. The value in parentheses denotes the number of φ cycles.

## 8.6.9 Address Data Communication

There are two address data communication formats, namely, 7-bit addressing format and 10-bit addressing format. The respective address communication formats is described below.

### (1) 7-bit addressing format

To meet the 7-bit addressing format, set the 10BIT SAD bit of the I<sup>2</sup>C control register (address 00DA16) to "0." The first 7-bit address data transmitted from the master is compared with the high-order 7-bit slave address stored in the I<sup>2</sup>C address register (address 00D816). At the time of this comparison, address comparison of the RBW bit of the I<sup>2</sup>C address register (address 00D816) is not made. For the data transmission format when the 7-bit addressing format is selected, refer to Figure 8.6.12, (1) and (2).

### (2) 10-bit addressing format

To meet the 10-bit addressing format, set the 10BIT SAD bit of the I<sup>2</sup>C control register (address 00DA16) to "1." An address comparison is made between the first-byte address data transmitted from the master and the 7-bit slave address stored in the I<sup>2</sup>C address register (address 00D816). At the time of this comparison, an address comparison between the RBW bit of the I<sup>2</sup>C address register (address 00D816) and the R/W bit which is the last bit of the address data transmitted from the master is made. In the 10-bit addressing mode, the R/W bit which is the last bit of the address data not only specifies the direction of communication for control data but also is processed as an address data bit.

When the first-byte address data matches the slave address, the AAS bit of the I<sup>2</sup>C status register (address 00D916) is set to "1." After the second-byte address data is stored into the I<sup>2</sup>C data shift register (address 00D716), make an address comparison between the second-byte data and the slave address by software. When the address data of the 2nd bytes matches the slave address, set the RBW bit of the I<sup>2</sup>C address register (address 00D816) to "1" by software. This processing can match the 7-bit slave address and R/W data, which are received after a RESTART condition is detected, with the value of the I<sup>2</sup>C address register (address 00D816). For the data transmission format when the 10-bit addressing format is selected, refer to Figure 8.6.12, (3) and (4).



# M37212M4/M8–XXXSP, M37212M6–XXXSP/FP M37212EFSP/FP

SINGLE-CHIP 8-BIT CMOS MICROCOMPUTER for VOLTAGE SYNTHESIZER  
with ON-SCREEN DISPLAY CONTROLLER

## 8.6.10 Example of Master Transmission

An example of master transmission in the standard clock mode, at the SCL frequency of 100 kHz and in the ACK return mode is shown below.

- ① Set a slave address in the high-order 7 bits of the I<sup>2</sup>C address register (address 00D8<sub>16</sub>) and "0" in the RBW bit.
- ② Set the ACK return mode and SCL = 100 kHz by setting "85<sub>16</sub>" in the I<sup>2</sup>C clock control register (address 00DB<sub>16</sub>).
- ③ Set "10<sub>16</sub>" in the I<sup>2</sup>C status register (address 00D9<sub>16</sub>) and hold the SCL at the HIGH.
- ④ Set a communication enable status by setting "48<sub>16</sub>" in the I<sup>2</sup>C control register (address 00DA<sub>16</sub>).
- ⑤ Set the address data of the destination of transmission in the high-order 7 bits of the I<sup>2</sup>C data shift register (address 00D7<sub>16</sub>) and set "0" in the least significant bit.
- ⑥ Set "F0<sub>16</sub>" in the I<sup>2</sup>C status register (address 00D9<sub>16</sub>) to generate a START condition. At this time, an SCL for 1 byte and an ACK clock automatically occurs.
- ⑦ Set transmit data in the I<sup>2</sup>C data shift register (address 00D7<sub>16</sub>). At this time, an SCL and an ACK clock automatically occurs.
- ⑧ When transmitting control data of more than 1 byte, repeat step ⑦.
- ⑨ Set "D0<sub>16</sub>" in the I<sup>2</sup>C status register (address 00D9<sub>16</sub>). After this, if ACK is not returned or transmission ends, a STOP condition will be generated.

## 8.6.11 Example of Slave Reception

An example of slave reception in the high-speed clock mode, at the SCL frequency of 400 kHz, in the ACK non-return mode, using the addressing format, is shown below.

- ① Set a slave address in the high-order 7 bits of the I<sup>2</sup>C address register (address 00D8<sub>16</sub>) and "0" in the RBW bit.
- ② Set the no ACK clock mode and SCL = 400 kHz by setting "25<sub>16</sub>" in the I<sup>2</sup>C clock control register (address 00DB<sub>16</sub>).
- ③ Set "10<sub>16</sub>" in the I<sup>2</sup>C status register (address 00D9<sub>16</sub>) and hold the SCL at the HIGH.
- ④ Set a communication enable status by setting "48<sub>16</sub>" in the I<sup>2</sup>C control register (address 00DA<sub>16</sub>).
- ⑤ When a START condition is received, an address comparison is made.
- ⑥ •When all transmitted address are "0" (general call):  
AD0 of the I<sup>2</sup>C status register (address 00D9<sub>16</sub>) is set to "1" and an interrupt request signal occurs.  
•When the transmitted addresses match the address set in ①:  
ASS of the I<sup>2</sup>C status register (address 00D9<sub>16</sub>) is set to "1" and an interrupt request signal occurs.  
•In the cases other than the above:  
AD0 and AAS of the I<sup>2</sup>C status register (address 00D9<sub>16</sub>) are set to "0" and no interrupt request signal occurs.
- ⑦ Set dummy data in the I<sup>2</sup>C data shift register (address 00D7<sub>16</sub>).
- ⑧ When receiving control data of more than 1 byte, repeat step ⑦.
- ⑨ When a STOP condition is detected, the communication ends.

# M37212M4/M8-XXXSP, M37212M6-XXXSP/FP M37212EFSP/FP

SINGLE-CHIP 8-BIT CMOS MICROCOMPUTER for VOLTAGE SYNTHESIZER  
with ON-SCREEN DISPLAY CONTROLLER

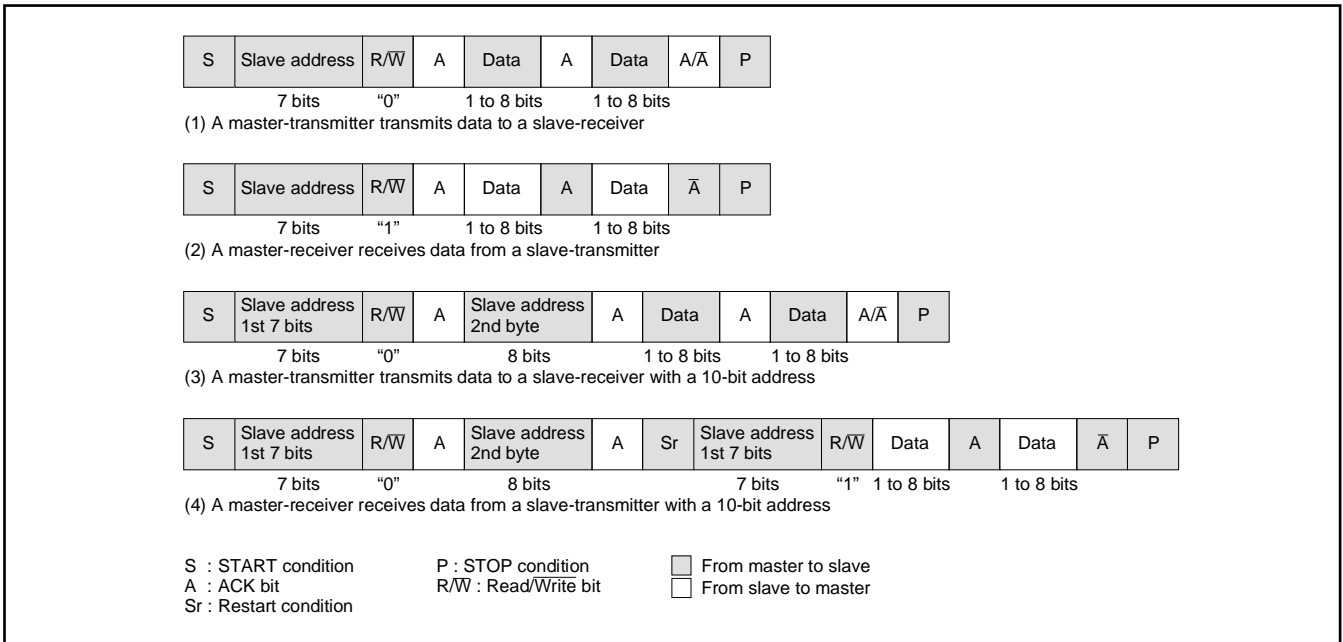


Fig. 8.6.12 Address Data Communication Format

## 8.6.12 Precautions when using multi-master I<sup>2</sup>C-BUS interface

### (1) Read-modify-write instruction

The precautions when the read-modify-write instruction such as SEB, CLB etc. is executed for each register of the multi-master I<sup>2</sup>C-BUS interface are described below.

- I<sup>2</sup>C data shift register (S0)  
When executing the read-modify-write instruction for this register during transfer, data may become a value not intended.
- I<sup>2</sup>C address register (S0D)  
When the read-modify-write instruction is executed for this register at detecting the STOP condition, data may become a value not intended. It is because hardware changes the read/write bit (RBW) at the above timing.
- I<sup>2</sup>C status register (S1)  
Do not execute the read-modify-write instruction for this register because all bits of this register are changed by hardware.
- I<sup>2</sup>C control register (S1D)  
When the read-modify-write instruction is executed for this register at detecting the START condition or at completing the byte transfer, data may become a value not intended. Because hardware changes the bit counter (BC0-BC2) at the above timing.
- I<sup>2</sup>C clock control register (S2)  
The read-modify-write instruction can be executed for this register.

### (2) START condition generating procedure using multi-master

①Procedure example (The necessary conditions of the generating procedure are described as the following ② to ⑤).

```

•
•
LDA    —          (Taking out of slave address value)
SEI    (Interrupt disabled)
BBS    5,S1,BUSBUSY (BB flag confirming and branch process)
BUSFREE:
STA    S0          (Writing of slave address value)
LDM    #$F0, S1   (Trigger of START condition generating)
CLI    (Interrupt enabled)
•
•
BUSBUSY:
CLI    (Interrupt enabled)
•
•

```

- ②Use "STA," "STX" or "STY" of the zero page addressing instruction for writing the slave address value to the I<sup>2</sup>C data shift register.
- ③Use "LDM" instruction for setting trigger of START condition generating.
- ④Write the slave address value of above ② and set trigger of START condition generating of above ③ continuously shown the above procedure example.
- ⑤Disable interrupts during the following three process steps:
  - BB flag confirming
  - Writing of slave address value
  - Trigger of START condition generating
 When the condition of the BB flag is bus busy, enable interrupts immediately.

# M37212M4/M8-XXXSP, M37212M6-XXXSP/FP M37212EFSP/FP

SINGLE-CHIP 8-BIT CMOS MICROCOMPUTER for VOLTAGE SYNTHESIZER  
with ON-SCREEN DISPLAY CONTROLLER

### (3) RESTART condition generating procedure

①Procedure example (The necessary conditions of the generating procedure are described as the following ② to ⑥.)

Execute the following procedure when the PIN bit is "0."

```

      •
      •
LDM  #$00, S1  (Select slave receive mode)
LDA  —        (Taking out of slave address value)
SEI  —        (Interrupt disabled)
STA  S0       (Writing of slave address value)
LDM  #$F0, S1 (Trigger of RESTART condition generating)
CLI  —        (Interrupt enabled)
      •
      •
    
```

②Select the slave receive mode when the PIN bit is "0." Do not write "1" to the PIN bit. Neither "0" nor "1" is specified for the writing to the BB bit.

The TRX bit becomes "0" and the SDA pin is released.

③The SCL pin is released by writing the slave address value to the I<sup>2</sup>C data shift register. Use "STA," "STX" or "STY" of the zero page addressing instruction for writing.

④Use "LDM" instruction for setting trigger of RESTART condition generating.

⑤Write the slave address value of above ③ and set trigger of RESTART condition generating of above ④ continuously shown the above procedure example.

⑥Disable interrupts during the following two process steps:

- Writing of slave address value
- Trigger of RESTART condition generating

### (4) STOP condition generating procedure

①Procedure example (The necessary conditions of the generating procedure are described as the following ② to ④.)

```

      •
      •
SEI  —        (Interrupt disabled)
LDM  #$C0, S1 (Select master transmit mode)
NOP  —        (Set NOP)
LDM  #$D0, S1 (Trigger of STOP condition generating)
CLI  —        (Interrupt enabled)
      •
      •
    
```

②Write "0" to the PIN bit when master transmit mode is select.

③Execute "NOP" instruction after setting of master transmit mode. Also, set trigger of STOP condition generating within 10 cycles after selecting of master transmit mode.

④Disable interrupts during the following two process steps:

- Select of master transmit mode
- Trigger of STOP condition generating

### (5) Writing to I<sup>2</sup>C status register

Do not execute an instruction to set the PIN bit to "1" from "0" and an instruction to set the MST and TRX bits to "0" from "1" simultaneously. It is because it may enter the state that the SCL pin is released and the SDA pin is released after about one machine cycle. Do not execute an instruction to set the MST and TRX bits to "0" from "1" simultaneously when the PIN bit is "1." It is because it may become the same as above.

### (6) Process of after STOP condition generating

Do not write data in the I<sup>2</sup>C data shift register S0 and the I<sup>2</sup>C status register S1 until the bus busy flag BB becomes "0" after generating the STOP condition in the master mode. It is because the STOP condition waveform might not be normally generated. Reading to the above registers do not have the problem.

# M37212M4/M8-XXXSP, M37212M6-XXXSP/FP M37212EFSP/FP

SINGLE-CHIP 8-BIT CMOS MICROCOMPUTER for VOLTAGE SYNTHESIZER  
with ON-SCREEN DISPLAY CONTROLLER

## 8.7 PWM OUTPUT FUNCTION

This microcomputer is equipped with two 14-bit PWM (DA) and eight 8-bit PWMs (PWM0-PWM7). DA1 and DA2 have a 14-bit resolution with the minimum resolution bit width of 0.25  $\mu$ s and a repeat period of 4096  $\mu$ s (for  $f(X_{IN}) = 8$  MHz). PWM0-PWM7 have the same circuit structure and an 8-bit resolution with minimum resolution bit width of 4  $\mu$ s and repeat period of 1024  $\mu$ s (for  $f(X_{IN}) = 8$  MHz).

Figure 8.7.1 shows the PWM block diagram. The PWM timing generating circuit applies individual control signals to DA and PWM0-PWM7 using  $f(X_{IN})$  divided by 2 as a reference signal.

### 8.7.1 Data Setting

When outputting DA, first set the high-order 8 bits to the DA-H register (address 00CE16), then the low-order 6 bits to the DA-L register (address 00CF16). When outputting PWM0-PWM7, set 8-bit output data to the PWMi register (i means 0 to 7; addresses 00D016 to 00D416, 00F616 to 00F816).

### 8.7.2 Transferring Data from Registers to PWM Circuit

Data transfer from the 8-bit PWM register to the 8-bit PWM circuit is executed at writing data to the register.

The signal output from the 8-bit PWM output pin corresponds to the contents of this register.

Also, data transfer from the DA register (addresses 00CE16 and 00CF16) to the 14-bit PWM circuit is executed at writing data to the DA-L register (address 00CF16). Reading from the DA-H register (address 00CE16) means reading this transferred data. Accordingly, it is possible to confirm the data being output from the DA output pin by reading the DA register.

### 8.7.3 Operating of 8-bit PWM

The following explains PWM operation.

First, set the bit 0 of PWM output control register 1 (address 00D516) to "0" (at reset, bit 0 is already set to "0" automatically), so that the PWM count source is supplied.

PWM0-PWM3 are also used as pins P60-P63, PWM4-PWM7 are also used as ports P00-P03, respectively. For PWM0-PWM3, set the corresponding bits of the ports P6 direction register to "1" (output mode). For PWM4-PWM7, set those of the port P0 direction register to "1." And select each output polarity by bit 3 of PWM output control register 2 (address 00D616). Then, for PWM0-PWM5, set bits 2 to 7 of PWM output control register 1 to "1" (PWM output). For PWM6 and PWM7, set bits 0 and 1 of PWM output control register 2 to "1."

The PWM waveform is output from the PWM output pins by setting these registers.

Figure 8.7.2 shows the 8-bit PWM timing. One cycle (T) is composed of 256 ( $2^8$ ) segments. The 8 kinds of pulses, relative to the weight of each bit (bits 0 to 7), are output inside the circuit during 1 cycle. Refer to Figure 8.7.2 (a). The 8-bit PWM outputs waveform which is the logical sum (OR) of pulses corresponding to the contents of bits 0 to 7 of the 8-bit PWM register. Several examples are shown in Figure 8.7.2 (b). 256 kinds of output (HIGH area: 0/256 to 255/256) are selected by changing the contents of the PWM register. A length of entirely HIGH output cannot be output, i.e. 256/256.

### 8.7.4 Operating of 14-bit PWM

As with 8-bit PWM, set the bit 0 of PWM output control register 1 (address 00D516) to "0" (at reset, bit 0 is already set to "0" automatically), so that the PWM count source is supplied. Next, select the output polarity by bit 2 of PWM output control register 2 (address 00D616). Then, the 14-bit PWM outputs from the DA output pin by setting bit 1 of PWM output control register 1 to "0" (at reset, this bit already set to "0" automatically) to select the DA output.

The output example of the 14-bit PWM is shown in Figure 8.7.3.

The 14-bit PWM divides the data of the DA latch into the low-order 6 bits and the high-order 8 bits.

The fundamental waveform is determined with the high-order 8-bit data "DH." A HIGH area with a length  $t \times D_H$  (HIGH area of fundamental waveform) is output every short area of " $t$ " =  $256\tau$  = 64  $\mu$ s ( $\tau$  is the minimum resolution bit width of 250 ns). The HIGH level area increase interval ( $t_m$ ) is determined with the low-order 6-bit data "DL." The HIGH are of smaller intervals " $t_m$ " shown in Table 5 is longer by  $t$  than that of other smaller intervals in PWM repeat period " $T$ " = 64t. Thus, a rectangular waveform with the different HIGH width is output from the DA pins. Accordingly, the PWM output changes by  $\tau$  unit pulse width by changing the contents of the DA-H and DA-L registers. A length of entirely HIGH cannot be output, i. e. 256/256.

### 8.7.5 Output after Reset

At reset, the output of ports P60-P63 and P00-P03 are in the high-impedance state, and the contents of the PWM register and the PWM circuit are undefined. Note that after reset, the PWM output is undefined until setting the PWM register.

**Table 8.7.1 Relation Between the Low-order 6-bit Data and High-level Area Increase Interval**

Low-order 6 bits of Data	Area Longer by $\tau$ than That of Other $t_m$ ( $m = 0$ to 63)
0 0 0 0 0 0 <sup>LSB</sup>	Nothing
0 0 0 0 0 1	$m = 32$
0 0 0 0 1 0	$m = 16, 48$
0 0 0 1 0 0	$m = 8, 24, 40, 56$
0 0 1 0 0 0	$m = 4, 12, 20, 28, 36, 44, 52, 60$
0 1 0 0 0 0	$m = 2, 6, 10, 14, 18, 22, 26, 30, 34, 38, 42, 46, 50, 54, 58, 62$
1 0 0 0 0 0	$m = 1, 3, 5, 7, \dots, 57, 59, 61, 63$

# M37212M4/M8-XXXSP, M37212M6-XXXSP/FP M37212EFSP/FP

SINGLE-CHIP 8-BIT CMOS MICROCOMPUTER for VOLTAGE SYNTHESIZER  
with ON-SCREEN DISPLAY CONTROLLER

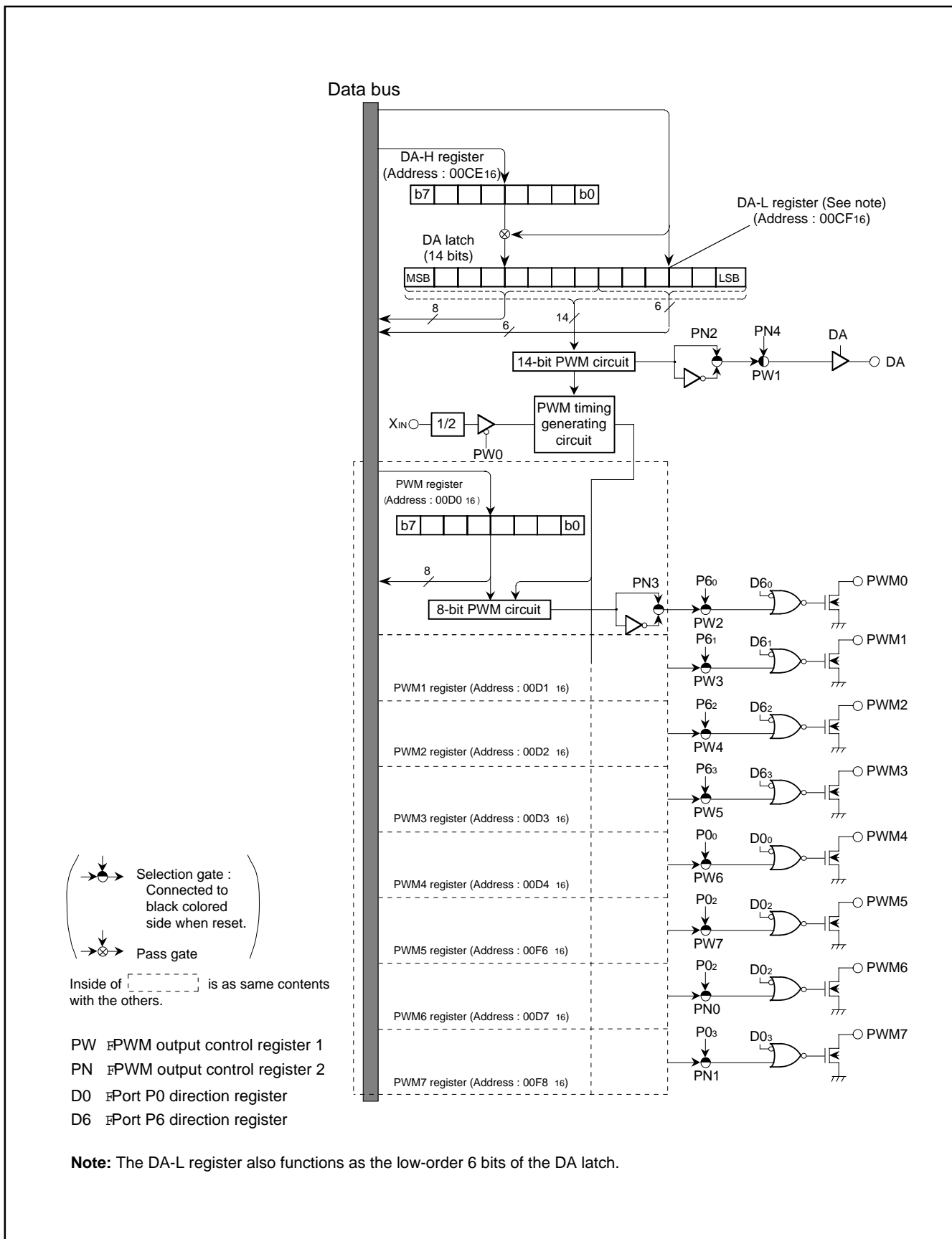


Fig. 8.7.1 PWM Block Diagram

# M37212M4/M8-XXXSP, M37212M6-XXXSP/FP M37212EFSP/FP

SINGLE-CHIP 8-BIT CMOS MICROCOMPUTER for VOLTAGE SYNTHESIZER  
with ON-SCREEN DISPLAY CONTROLLER

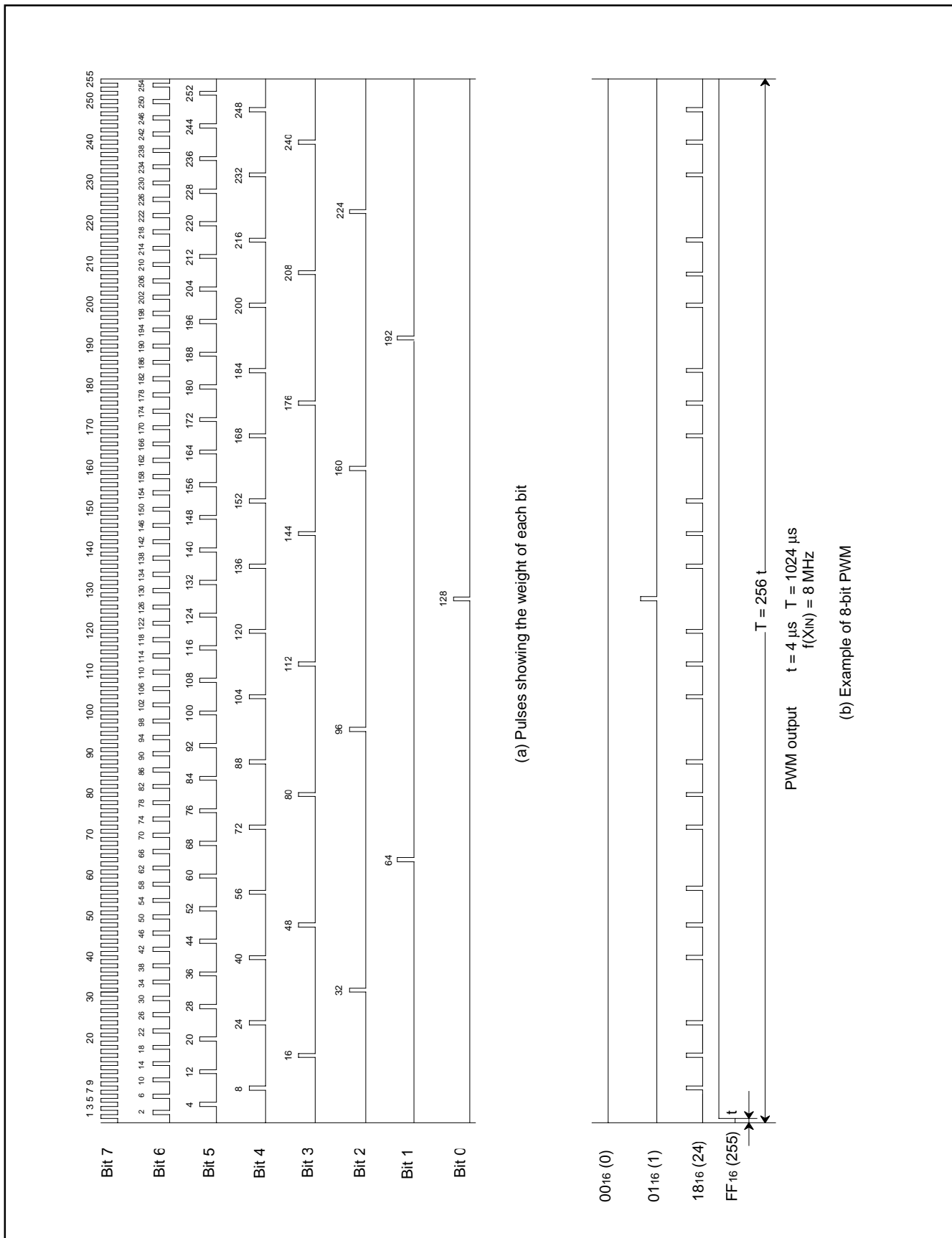


Fig. 8.7.2 PWM Timing

# M37212M4/M8-XXXSP, M37212M6-XXXSP/FP M37212EFSP/FP

SINGLE-CHIP 8-BIT CMOS MICROCOMPUTER for VOLTAGE SYNTHESIZER  
with ON-SCREEN DISPLAY CONTROLLER

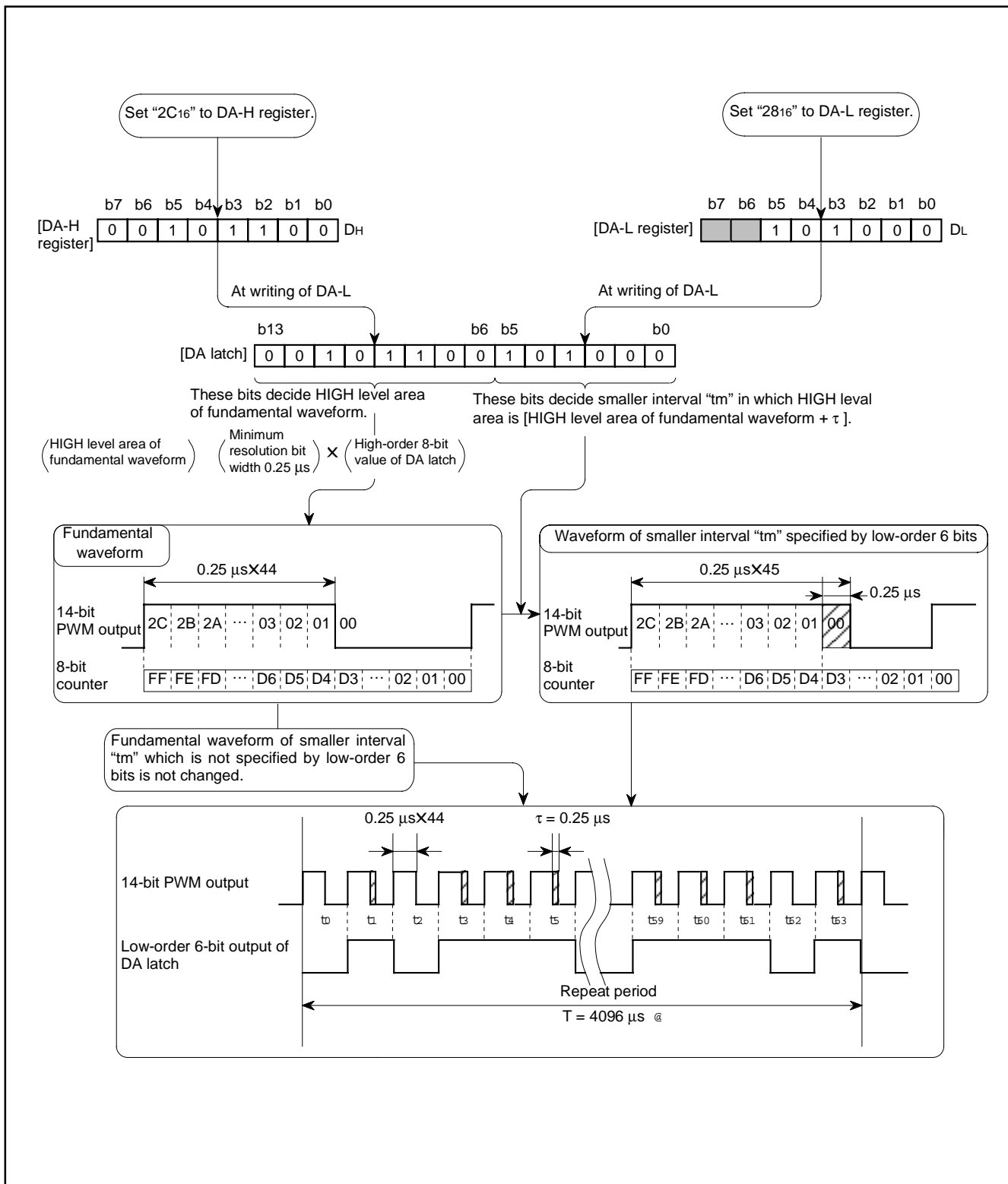
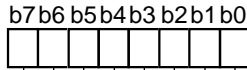


Fig. 8.7.3 14-bit PWM Timing (f(XIN) = 8 MHz)

**M37212M4/M8-XXXSP, M37212M6-XXXSP/FP  
M37212EFSP/FP**

SINGLE-CHIP 8-BIT CMOS MICROCOMPUTER for VOLTAGE SYNTHESIZER  
with ON-SCREEN DISPLAY CONTROLLER

PWM Output Control Register 1

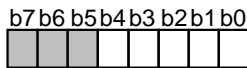


PWM output control register 1 (PW) [Address 00D516]

B	Name	Functions	After reset	R	W
0	DA, PWM count source selection bit (PW0)	0 : Count source supply 1 : Count source stop	0	R	W
1	DA/PN4 selection bit (PW1)	0 : DA output 1 : PN4 output	0	R	W
2	P60/PWM0 output selection bit (PW2)	0: P60 output 1: PWM0 output	0	R	W
3	P61/PWM1 output selection bit (PW3)	0: P61 output 1: PWM1 output	0	R	W
4	P62/PWM2 output selection bit (PW4)	0: P62 output 1: PWM2 output	0	R	W
5	P63/PWM3 output selection bit (PW5)	0: P63 output 1: PWM3 output	0	R	W
6	P00/PWM4 output selection bit (PW6)	0: P00 output 1: PWM4 output	0	R	W
7	P01/PWM5 output selection bit (PW7)	0: P01 output 1: PWM5 output	0	R	W

Fig. 8.7.4 PWM Output Control Register 1

PWM Output Control Register 2



PWM output control register 2 (PN) [Address 00D6 16]

B	Name	Functions	After reset	R	W
0	P02/PWM6 output selection bit (PN0)	0 : P02 1 : PWM6 output	0	R	W
1	P03/PWM7 output selection bit (PN1)	0 : P03 1 : PWM7 output	0	R	W
2	DA output polarity selection bit (PN2)	0 : Positive polarity 1 : Negative polarity	0	R	W
3	PWM output polarity selection bit (PN3)	0 : Positive polarity 1 : Negative polarity	0	R	W
4	DA general-purpose output bit (PN4)	0 : Output LOW 1 : Output HIGH	0	R	W
5 to 7	Nothing is assigned. These bits are write disable bits. When these bits are read out, the values are "0."		0	R	—

Fig. 8.7.5 PWM Output Control Register 2



# M37212M4/M8-XXXSP, M37212M6-XXXSP/FP M37212EFSP/FP

SINGLE-CHIP 8-BIT CMOS MICROCOMPUTER for VOLTAGE SYNTHESIZER  
with ON-SCREEN DISPLAY CONTROLLER

## 8.8 A-D COMPARATOR

A-D comparator consists of 6-bit D-A converter and comparator. A-D comparator block diagram is shown in Figure 8.8.1.

The reference voltage "V<sub>ref</sub>" for D-A conversion is set by bits 0 to 5 of the A-D control register (address 00EF16).

The comparison result of the analog input voltage and the reference voltage "V<sub>ref</sub>" is stored in bit 4 of the A-D mode register (address 00EE16).

For A-D comparison, set "0" to corresponding bits of the direction register to use ports as analog input pins. Write the data for select of analog input pins to bits 0 to 2 of the A-D control register 1 and write the digital value corresponding to V<sub>ref</sub> to be compared to the bits 0 to 5 of the A-D control register. The voltage comparison starts by writing to the A-D control register 2, and it is completed after 16 machine cycles (NOP instruction X 8).

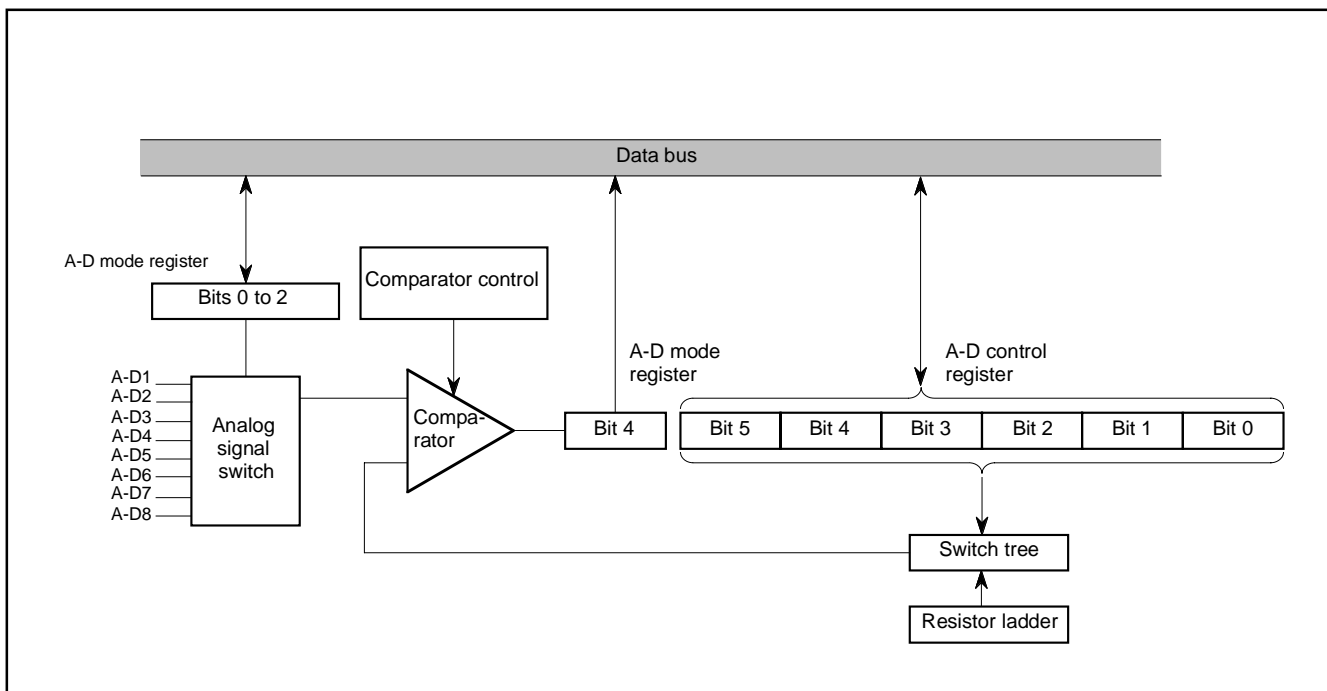


Fig. 8.8.1 A-D Comparator Block Diagram

# M37212M4/M8-XXXSP, M37212M6-XXXSP/FP M37212EFSP/FP

SINGLE-CHIP 8-BIT CMOS MICROCOMPUTER for VOLTAGE SYNTHESIZER  
with ON-SCREEN DISPLAY CONTROLLER

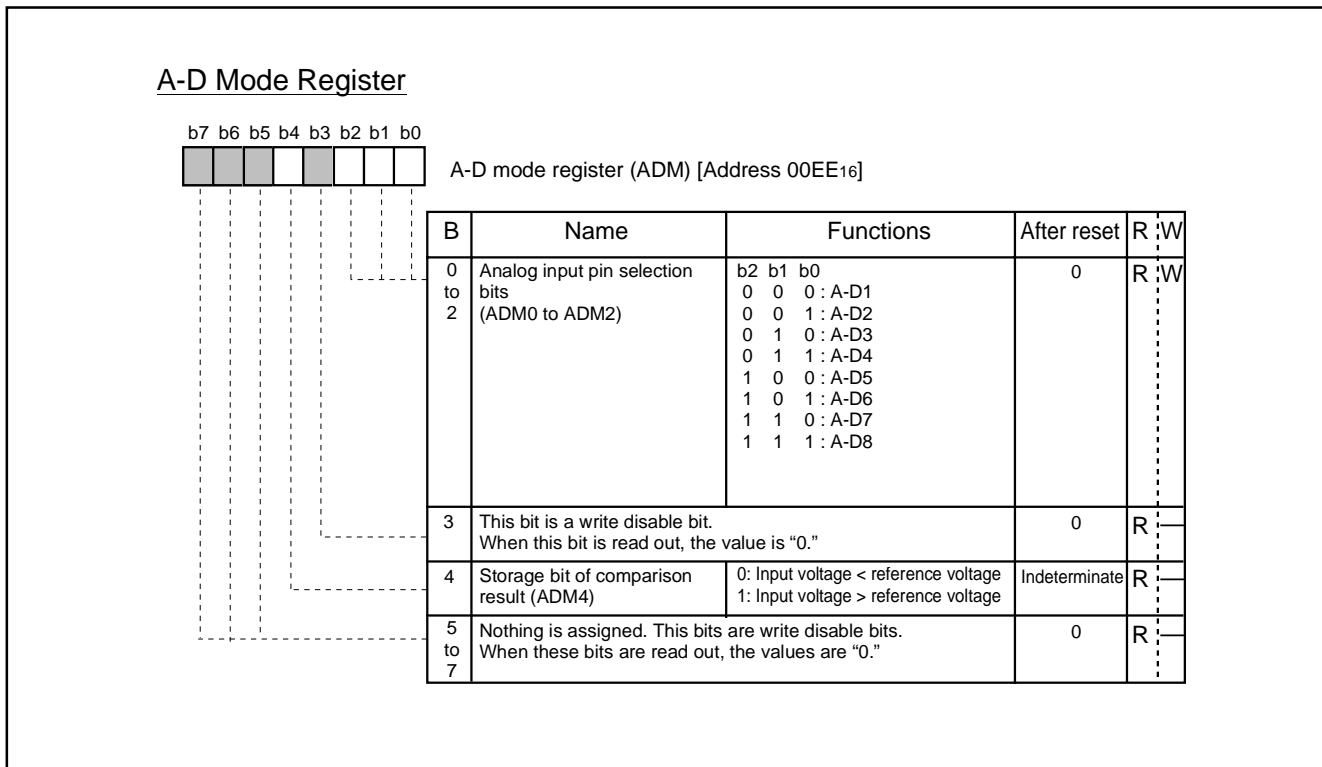


Fig. 8.8.2 A-D Mode Register

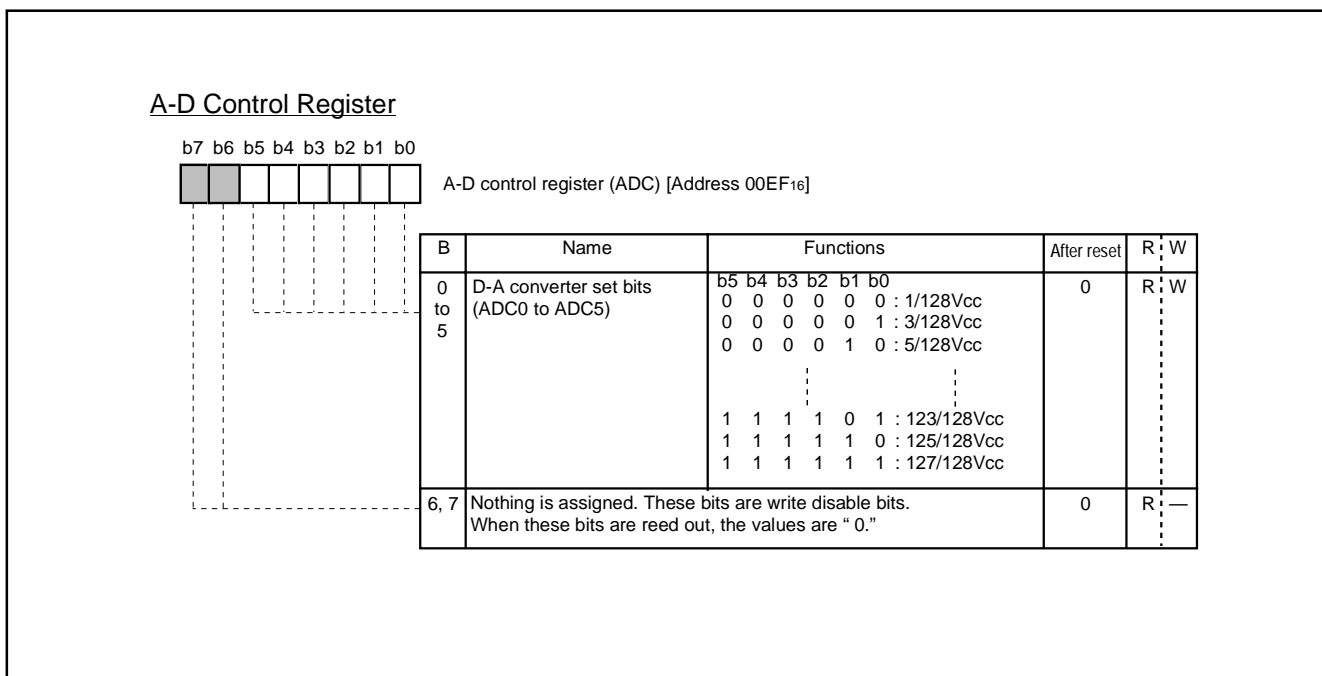


Fig. 8.8.3 A-D Control Register

# M37212M4/M8-XXXSP, M37212M6-XXXSP/FP M37212EFSP/FP

SINGLE-CHIP 8-BIT CMOS MICROCOMPUTER for VOLTAGE SYNTHESIZER  
with ON-SCREEN DISPLAY CONTROLLER

## 8.9 ROM CORRECTION FUNCTION

This can correct program data in ROM. Up to 2 addresses can be corrected, a program for correction is stored in the ROM correction memory in RAM as the top address. The ROM correction vectors are 2 vectors.

Vector 1 : address 02C0<sub>16</sub>

Vector 2 : address 02E0<sub>16</sub>

Set the address of the ROM data to be corrected into the ROM correction address register. When the value of the counter matches the ROM data address in the ROM correction vector as the top address, the main program branches to the correction program stored in the ROM memory for correction. To return from the correction program to the main program, the op code and operand of the JMP instruction (total of 3 bytes) are necessary at the end of the correction program. The ROM correction function is controlled by the ROM correction enable register.

- Notes**
- 1: Specify the first address (op code address) of each instruction as the ROM correction address.
  - 2: Use the JMP instruction (total of 3 bytes) to return from the correction program to the main program.
  - 3: Do not set the same ROM correction address to vectors 1 and 2.
  - 4: Only M37212M8-XXXSP and M37212EFSP/FP have ROM correction function.

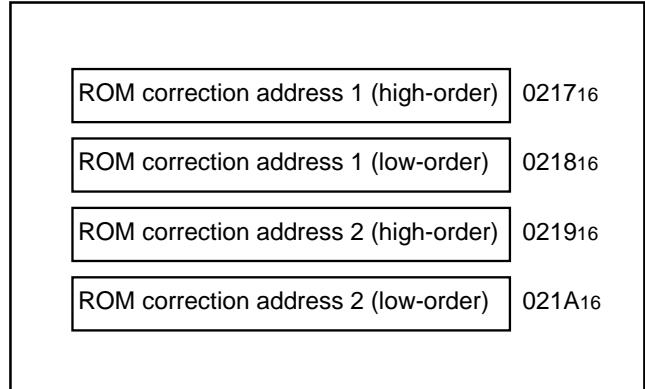


Fig. 8.9.1 ROM Correction Address Registers

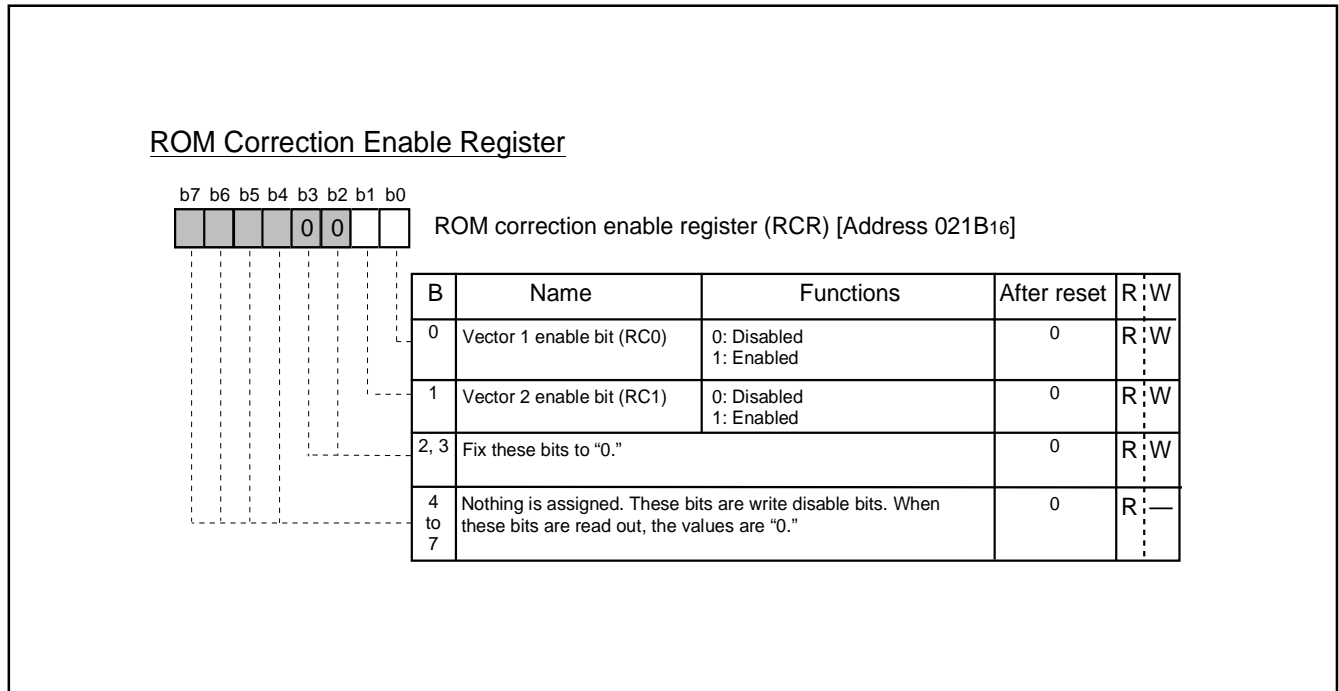


Fig. 8.9.2 ROM Correction Enable Register

# M37212M4/M8-XXXSP, M37212M6-XXXSP/FP M37212EFSP/FP

SINGLE-CHIP 8-BIT CMOS MICROCOMPUTER for VOLTAGE SYNTHESIZER  
with ON-SCREEN DISPLAY CONTROLLER

## 8.10 OSD FUNCTIONS

Table 8.10.1 outlines the OSD functions. This microcomputer incorporates an OSD control circuit of 24 characters X 2 lines. OSD is controlled by the CRT control register. Up to 256 kinds of characters can be displayed. The colors can be specified for each character and up to 4 kinds of colors can be displayed on one screen. A combination of up to 8 colors can be obtained by using each output signal (R, G, and B).

Characters are displayed in a 12 X 16 dots configuration to obtain smooth character patterns (refer to Figure 8.10.1).

The following shows the procedure how to display characters on the CRT screen.

- ① Write the display character code in OSD RAM.
- ② Specify the display color by using the color register.
- ③ Write the color register in which the display color is set in OSD RAM.
- ④ Specify the vertical position by using the vertical position register.
- ⑤ Specify the character size by using the character size register.
- ⑥ Specify the horizontal position by using the horizontal position register.
- ⑦ Write the display enable bit to the designated block display flag of the CRT control register. When this is done, the OSD starts according to the input of the VSYNC signal.

**Table 8.10.1 Features of Each Display Mode**

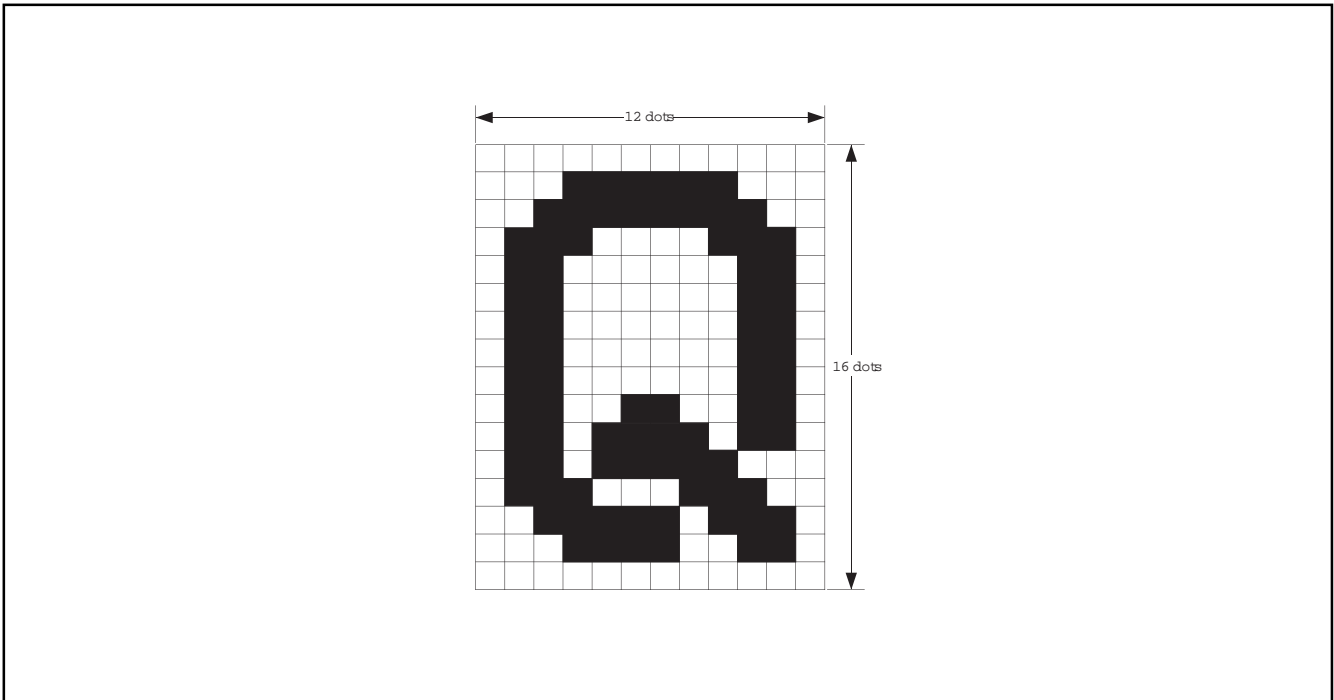
Parameter	Functions
Number of display characters	24 characters X 2 lines
Dot structure	12 X 16 dots
Kinds of characters	256 kinds
Kinds of character sizes	3 kinds
Attribute	Border (black)
Character font coloring	1 screen : 8 kinds (per character unit)
Character background coloring	1 screen : 8 kinds (per character unit)
OSD output	R, G, B
Display position	Horizontal: 64 levels, Vertical: 128 levels
Display expansion (multiline display)	Possible

**M37212M4/M8-XXXSP, M37212M6-XXXSP/FP  
M37212EFSP/FP**

SINGLE-CHIP 8-BIT CMOS MICROCOMPUTER for VOLTAGE SYNTHESIZER  
with ON-SCREEN DISPLAY CONTROLLER

The OSD circuit has an extended display mode. This mode allows multiple lines (3 lines or more) to be displayed on the screen by interrupting the display each time one line is displayed and rewriting data in the block for which display is terminated by software.

Figure 8.10.1 shows the configuration of OSD character. Figure 8.10.2 shows the block diagram of the OSD circuit. Figure 8.10.3 shows the CRT control register.



**Fig. 8.10.1 Configuration of OSD Character Display Area**

# M37212M4/M8-XXXSP, M37212M6-XXXSP/FP M37212EFSP/FP

SINGLE-CHIP 8-BIT CMOS MICROCOMPUTER for VOLTAGE SYNTHESIZER  
with ON-SCREEN DISPLAY CONTROLLER

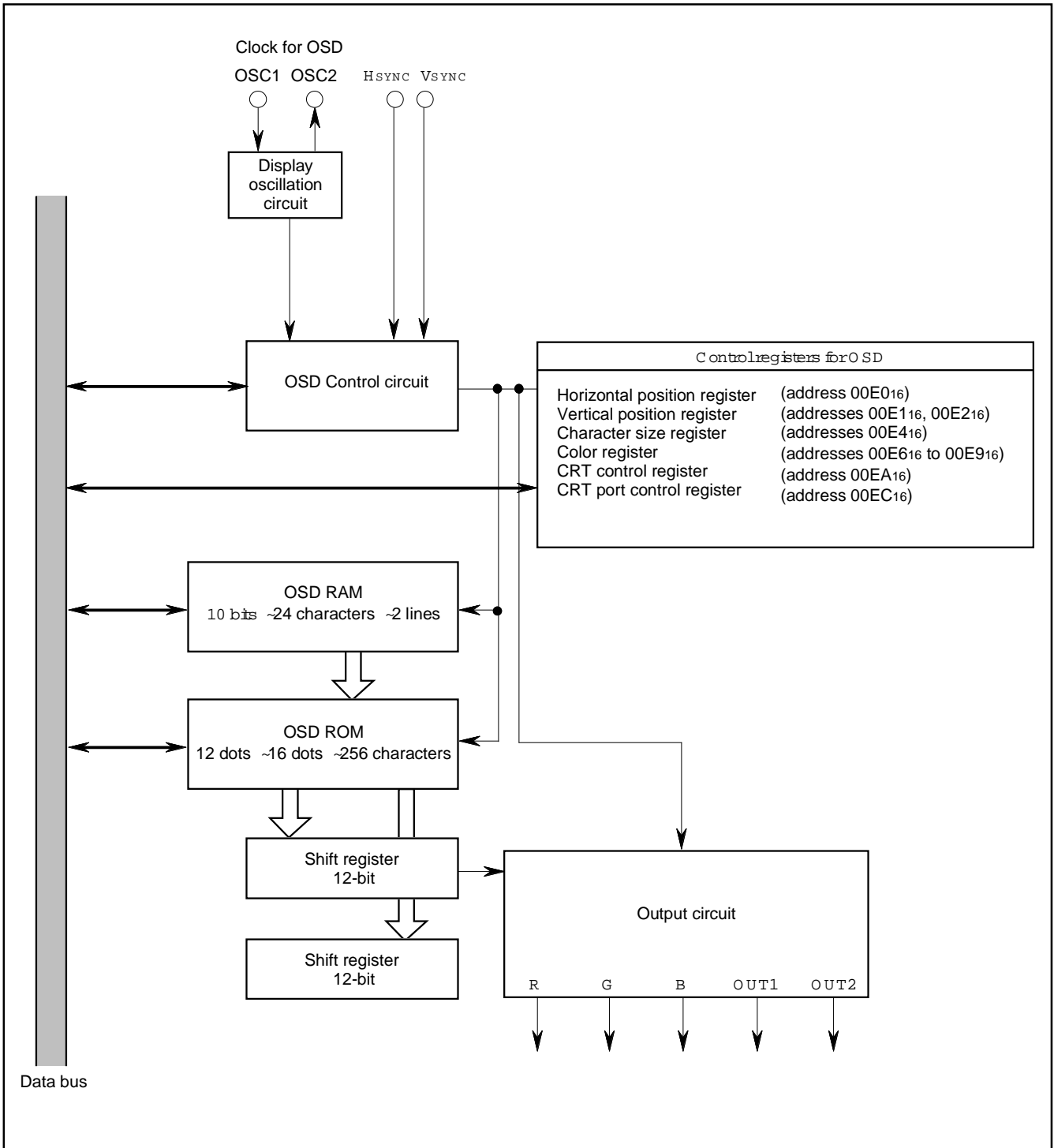


Fig. 8.10.2 Block Diagram of OSD Circuit

**M37212M4/M8-XXXSP, M37212M6-XXXSP/FP  
M37212EFSP/FP**

SINGLE-CHIP 8-BIT CMOS MICROCOMPUTER for VOLTAGE SYNTHESIZER  
with ON-SCREEN DISPLAY CONTROLLER

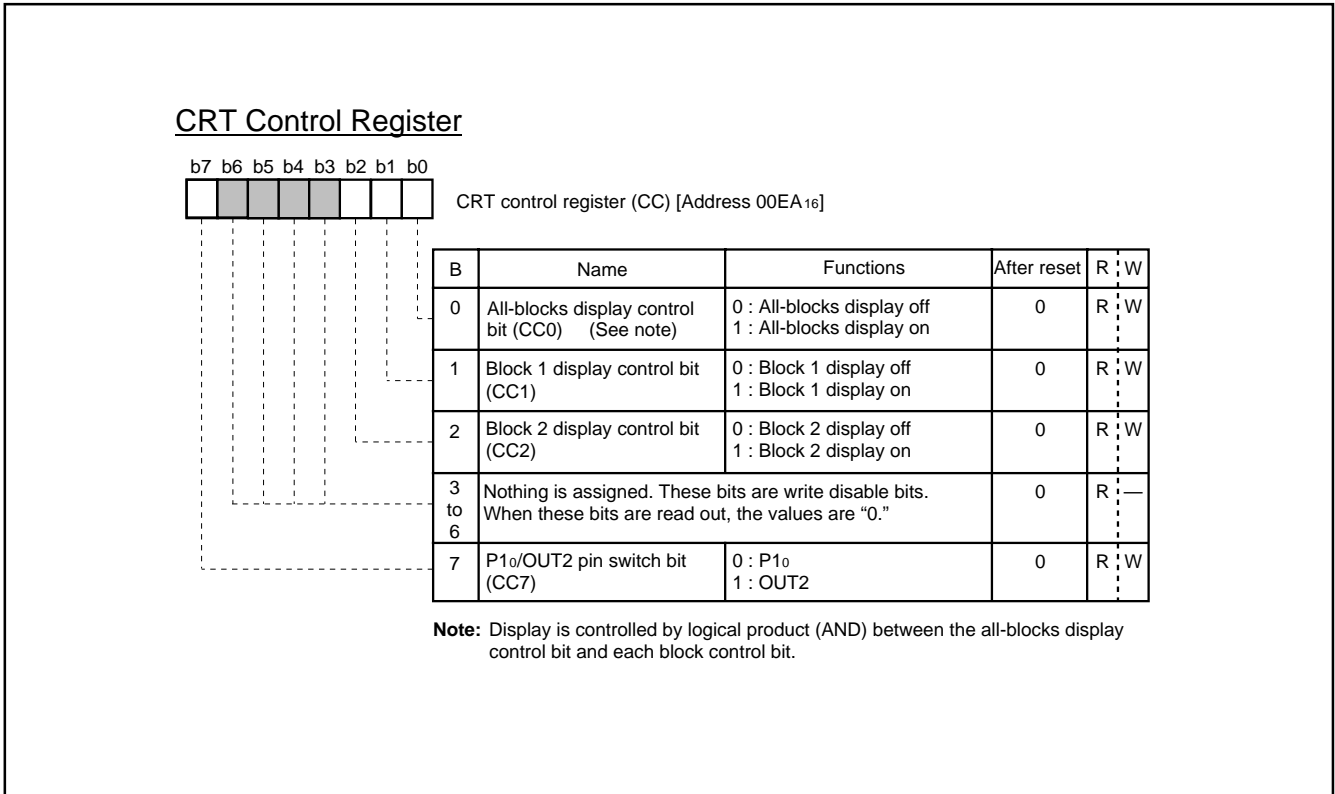


Fig. 8.10.3 CRT Control Register

# M37212M4/M8-XXXSP, M37212M6-XXXSP/FP M37212EFSP/FP

SINGLE-CHIP 8-BIT CMOS MICROCOMPUTER for VOLTAGE SYNTHESIZER  
with ON-SCREEN DISPLAY CONTROLLER

## 8.10.1 Display Position

The display positions of characters are specified in units called a "block." There are 2 blocks, blocks 1 and 2. Up to 24 characters can be displayed in each block (refer to "8.10.3 Memory for OSD").

The display position of each block can be set in both horizontal and vertical directions by software.

The display start position in the horizontal direction can be selected for all blocks in common from 64-step display positions in units of 4Tc (Tc = OSD oscillation cycle).

The display start position in the vertical direction for each block can be selected from 128-step display positions in units of 4 scanning lines.

Blocks are displayed in conformance with the following rules:

- Block 2 is displayed after the display of block 1 is completed (Figure 8.10.4 (a)).
- When the display position of block 1 is overlapped with that of block 2 (Figure 8.10.4 (b)), the block 1 is displayed on the front.
- When another block display position appears while one block is displayed (Figure 8.10.4 (c)), only block 1 is displayed. Similarly, when multiline display, block 1 is displayed after the display of block 2 is completed.

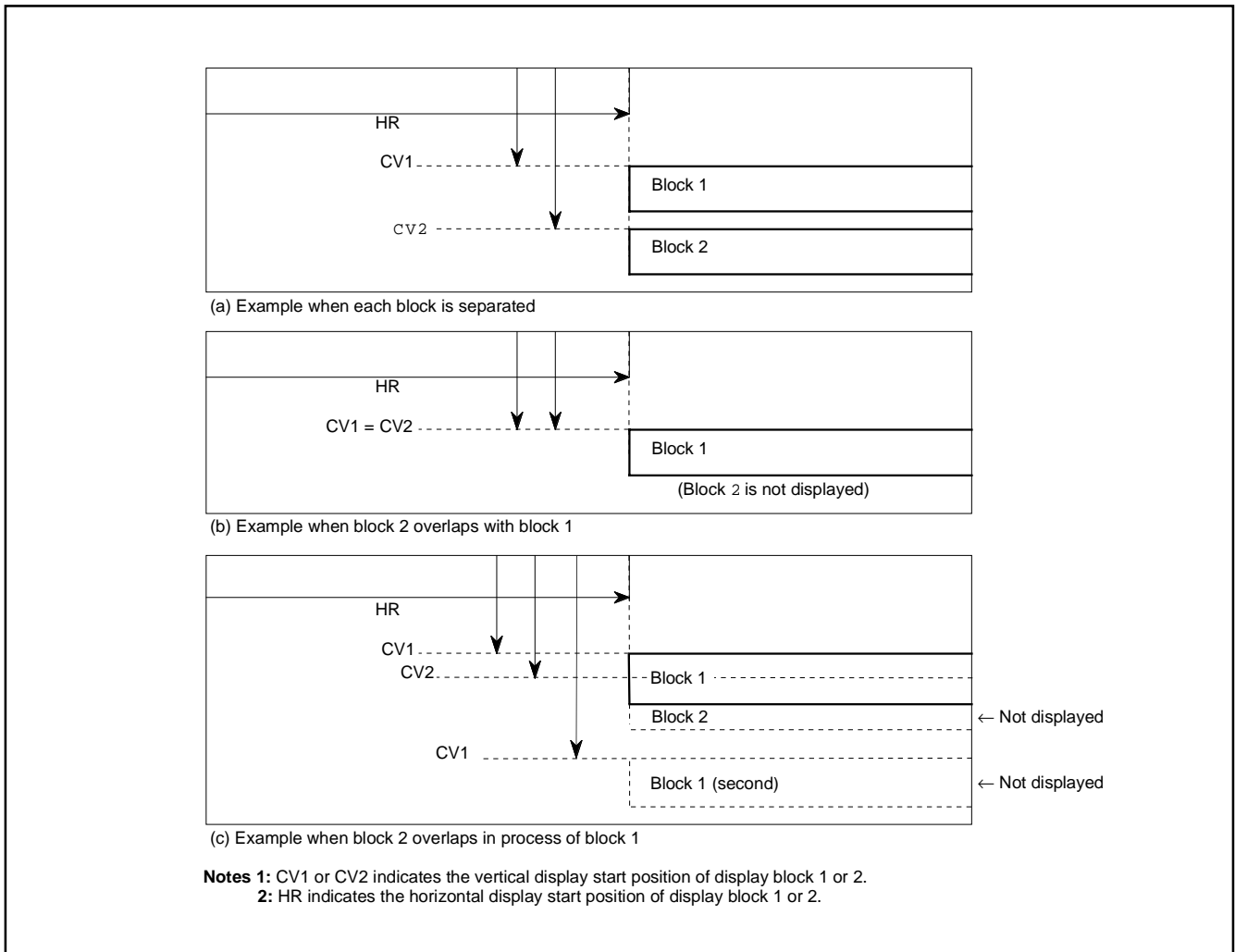


Fig. 8.10.4 Display Position



# M37212M4/M8-XXXSP, M37212M6-XXXSP/FP M37212EFSP/FP

SINGLE-CHIP 8-BIT CMOS MICROCOMPUTER for VOLTAGE SYNTHESIZER  
with ON-SCREEN DISPLAY CONTROLLER

The vertical display start position is determined by counting the horizontal sync signal (HSYNC). At this time, when VSYNC and HSYNC are positive polarity (negative polarity), it starts to count the rising edge (falling edge) of HSYNC signal from after fixed cycle of rising edge (falling edge) of VSYNC signal. So interval from rising edge (falling edge) of VSYNC signal to rising edge (falling edge) of HSYNC signal needs enough time (2 machine cycles or more) for avoiding jitter. The polarity of HSYNC and VSYNC signals can select with the CRT port control register (address 00EC16).

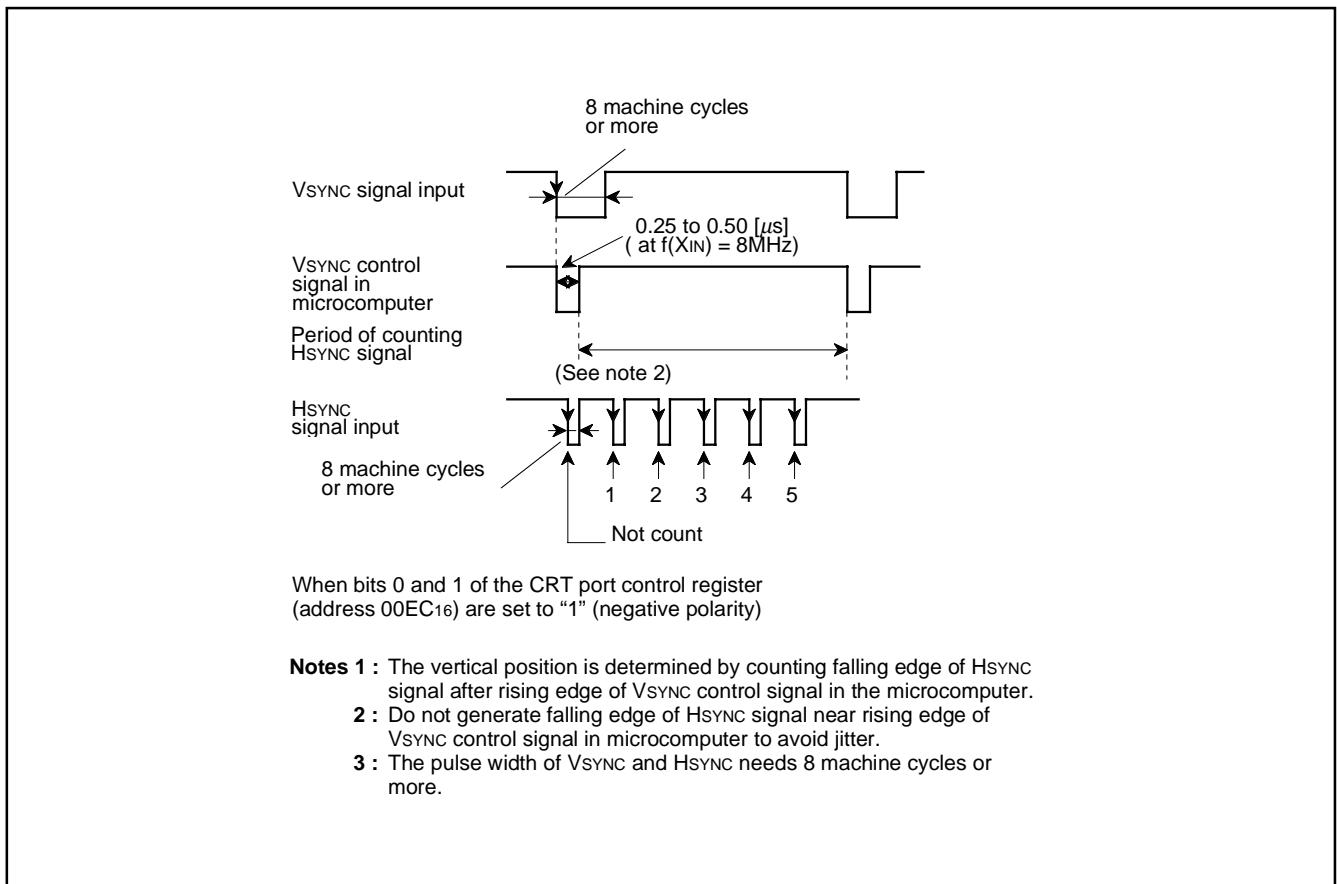


Fig. 8.10.5 Supplement Explanation for Display Position

**M37212M4/M8-XXXSP, M37212M6-XXXSP/FP  
M37212EFSP/FP**

SINGLE-CHIP 8-BIT CMOS MICROCOMPUTER for VOLTAGE SYNTHESIZER  
with ON-SCREEN DISPLAY CONTROLLER

The vertical display start position for each block can be set in 512 steps (where each step is 1TH (TH: HSYNC cycle)) as values "00<sub>16</sub>" to "7F<sub>16</sub>" in vertical position register i (i = 1 and 2) (addresses 00E1<sub>16</sub> and 00E2<sub>16</sub>) The vertical position register i is shown in Figure 8.10.6.

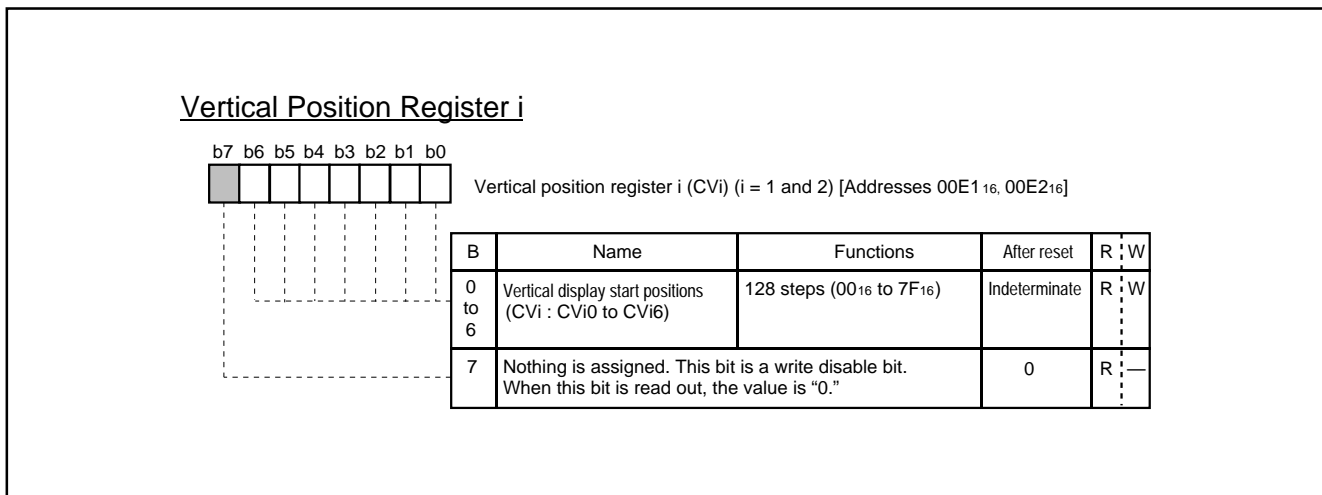


Fig. 8.10.6 Vertical Position Register i

# M37212M4/M8-XXXSP, M37212M6-XXXSP/FP M37212EFSP/FP

SINGLE-CHIP 8-BIT CMOS MICROCOMPUTER for VOLTAGE SYNTHESIZER  
with ON-SCREEN DISPLAY CONTROLLER

The horizontal display start position is common to all blocks, and can be set in 64 steps (where 1 step is 4Tc, Tc being the OSD oscillation cycle) as values "00<sub>16</sub>" to "3F<sub>16</sub>" in bits 0 to 5 of the horizontal position register (address 00D1<sub>16</sub>). The horizontal position register is shown in Figure 8.10.7.

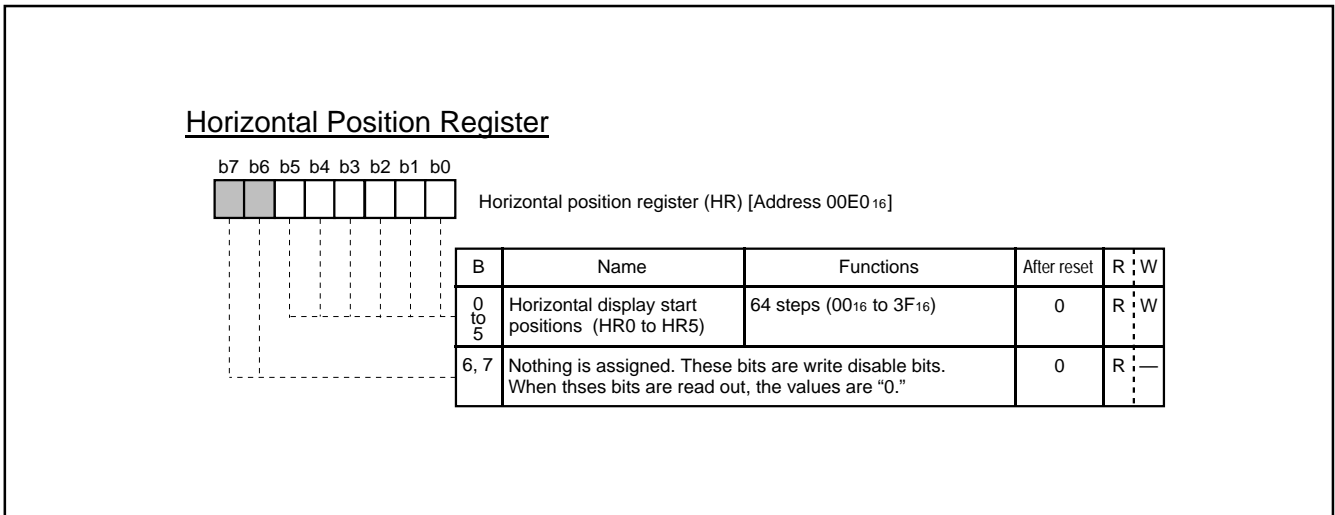


Fig. 8.10.7 Horizontal Position Register

# M37212M4/M8-XXXSP, M37212M6-XXXSP/FP M37212EFSP/FP

SINGLE-CHIP 8-BIT CMOS MICROCOMPUTER for VOLTAGE SYNTHESIZER  
with ON-SCREEN DISPLAY CONTROLLER

## 8.10.2 Character Size

The size of characters to be displayed can be from 3 sizes for each block. Use the character size register (address 00E4<sub>16</sub>) to set a character size. The character size of block 1 can be specified by using bits 0 and 1 of the character size register; the character size of block 2 can be specified by using bits 2 and 3. Figure 8.10.8 shows the character size register.

The character size can be selected from 3 sizes: minimum size, medium size and large size. Each character size is determined by the number of scanning lines in the height (vertical) direction and the oscillating cycle for display (Tc) in the width (horizontal) direction. The minimum size consists of [1 scanning line] X [1Tc]; the medium size consists of [2 scanning lines] X [2Tc]; and the large size consists of [3 scanning lines] X [3Tc]. Table 8.10.2 shows the relation between the set values in the character size register and the character sizes.

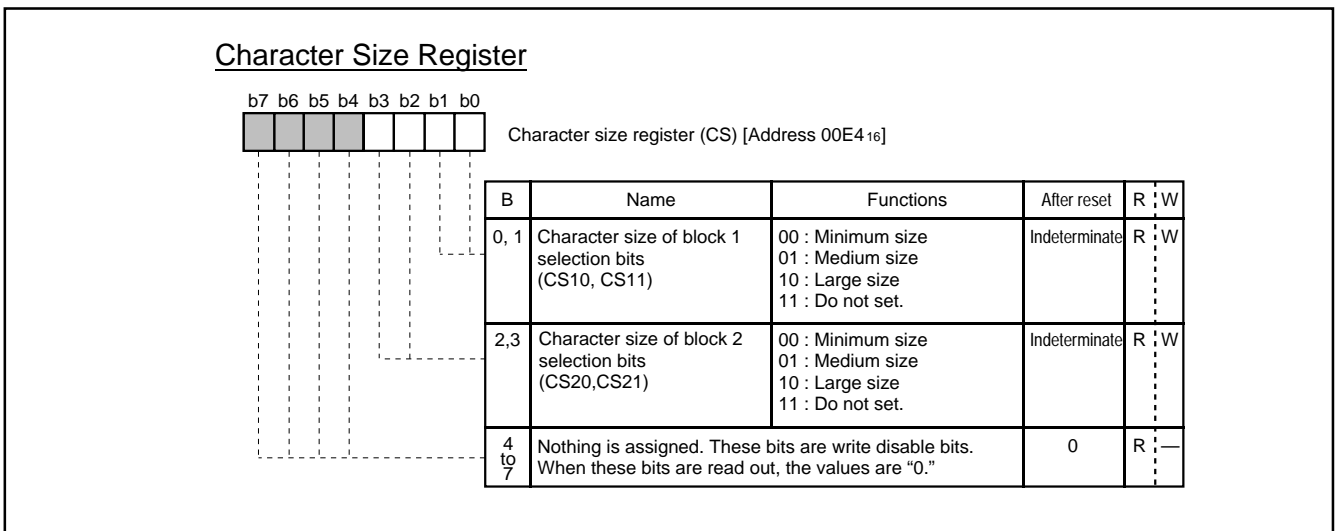


Fig. 8.10.8 Character Size Register

**M37212M4/M8-XXXSP, M37212M6-XXXSP/FP  
M37212EFSP/FP**

SINGLE-CHIP 8-BIT CMOS MICROCOMPUTER for VOLTAGE SYNTHESIZER  
with ON-SCREEN DISPLAY CONTROLLER

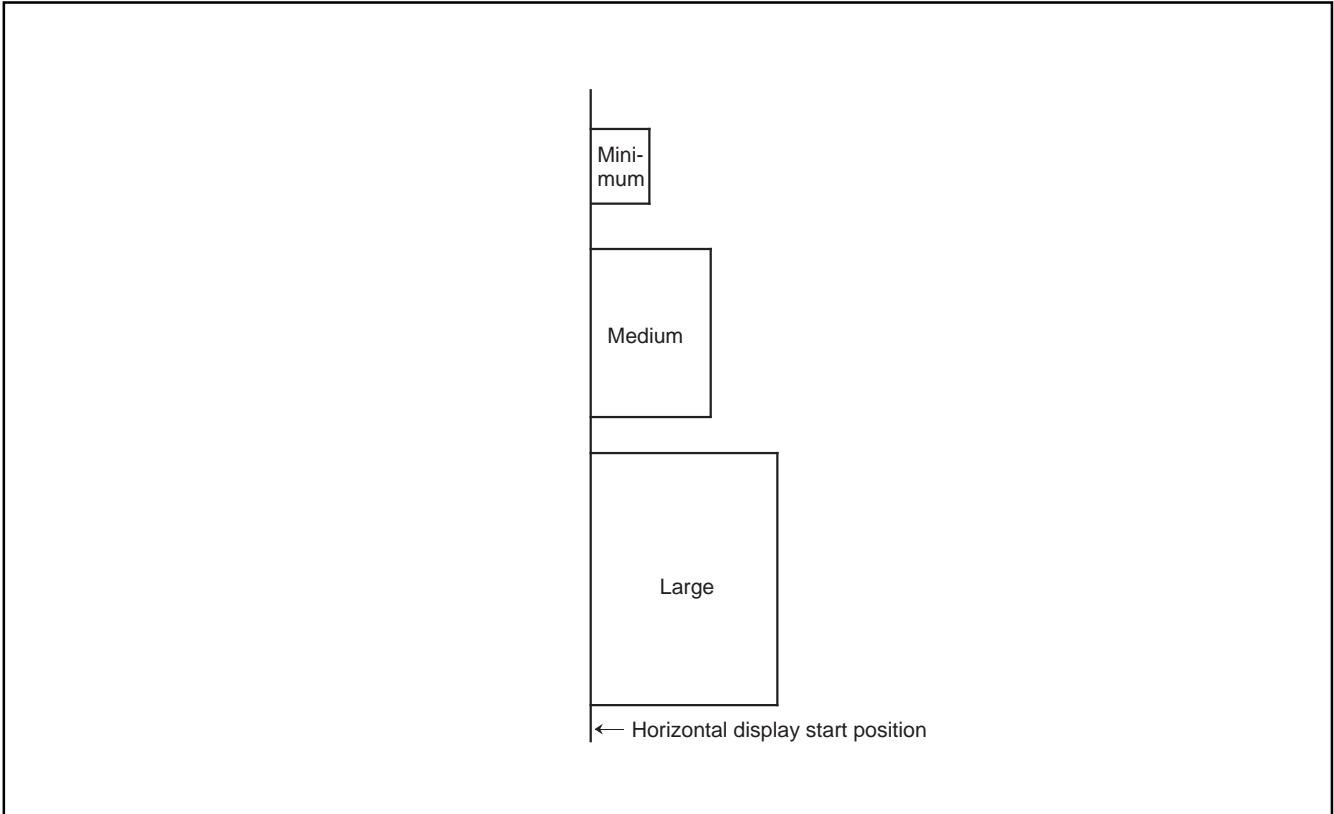


Fig. 8.10.9 Display Start Position of Each Character Size (Horizontal Direction)

Table. 8.10.2 Relation between Set Values in Character Size Register and Character Sizes

Set values of character size register		Character size	Width (horizontal) direction Tc: oscillating cycle for display	Height (vertical) direction scanning lines
CSn1	CSn0			
0	0	Minimum	1 Tc	1
0	1	Medium	2 Tc	2
1	0	Large	3 Tc	3
1	1	This is not available		

**Note:** The display start position in the horizontal direction is not affected by the character size. In other words, the horizontal display start position is common to all blocks even when the character size varies with each block (refer to Figure 8.10.9).

# M37212M4/M8-XXXSP, M37212M6-XXXSP/FP M37212EFSP/FP

SINGLE-CHIP 8-BIT CMOS MICROCOMPUTER for VOLTAGE SYNTHESIZER  
with ON-SCREEN DISPLAY CONTROLLER

### 8.10.3 Clock for OSD

As a clock for display to be used for OSD, it is possible to select one of the following 4 types.

- Main clock supplied from XIN pin
- Main clock supplied from XIN pin divided by 1.5
- Clock from the ceramic resonator or the LC or oscillator from the pins OSC1 and OSC2
- Clock from the ceramic resonator or the quartz-crystal oscillator supplied from the pins OSC1 and OSC2.

This OSD clock for each block can be selected by the CRT clock selection register (address 00ED16).

When selecting the main clock, set the oscillation frequency to 8 MHz.

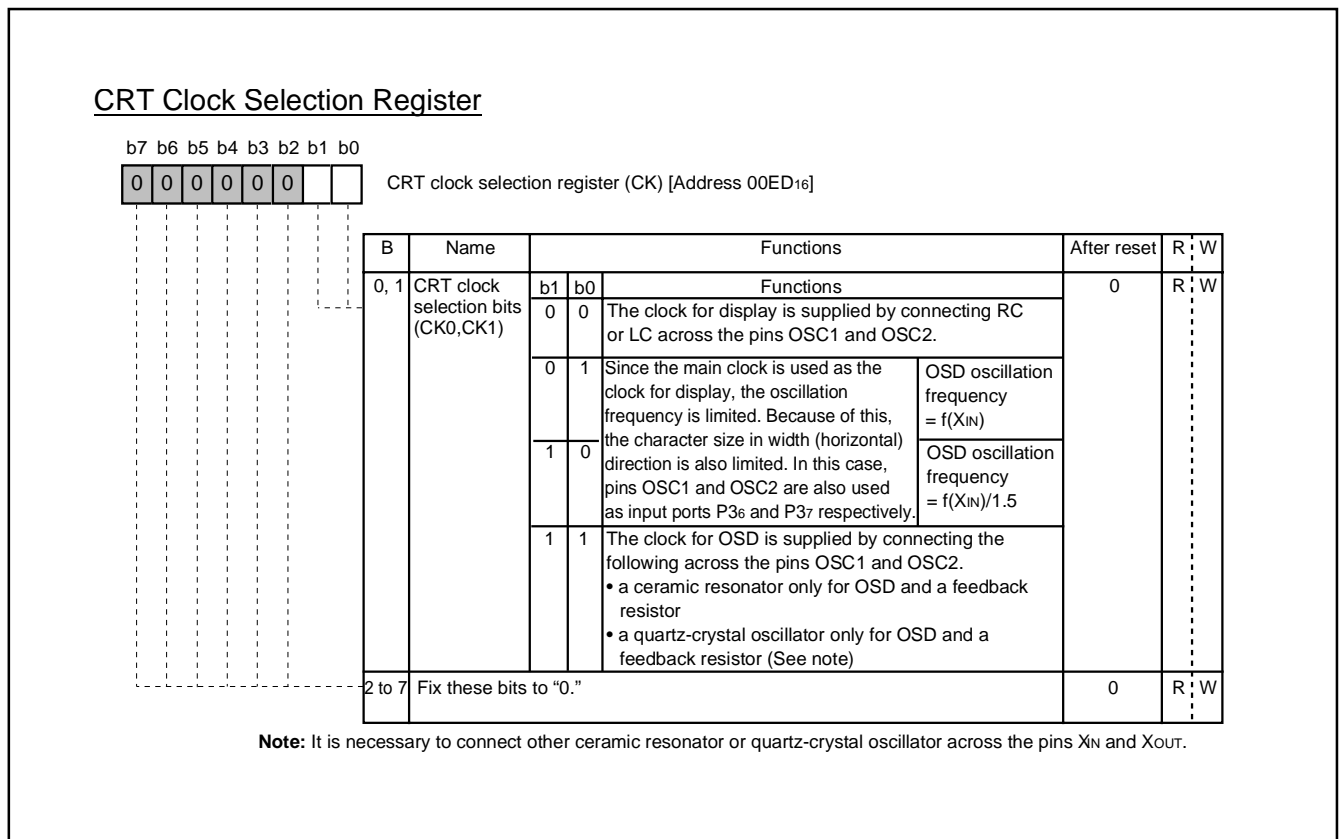


Fig. 8.10.10 Block Diagram of OSD Selection Circuit

# M37212M4/M8-XXXSP, M37212M6-XXXSP/FP M37212EFSP/FP

SINGLE-CHIP 8-BIT CMOS MICROCOMPUTER for VOLTAGE SYNTHESIZER  
with ON-SCREEN DISPLAY CONTROLLER

## 8.10.4 Memory for OSD

There are 2 types of memory for OSD : OSD ROM (addresses 10000<sub>16</sub> to 11FFF<sub>16</sub>) used to store character dot data and OSD RAM (addresses 0600<sub>16</sub> to 06B7<sub>16</sub>) used to specify the characters and colors to be displayed.

### (1) OSD ROM (addresses 10000<sub>16</sub> to 11FFF<sub>16</sub>)

The dot pattern data for OSD characters is stored in OSD ROM. To specify the kinds of the character font, it is necessary to write the character code (Table 8.10.3) into the OSD RAM.

The OSD ROM has a capacity of 8K bytes. Since 32 bytes are required for 1 character data, the ROM can store up to 256 kinds of characters.

The OSD ROM space is broadly divided into 2 areas. The [vertical 16 dots] X [horizontal (left side) 8 dots] data of display characters are stored in addresses 10000<sub>16</sub> to 107FF<sub>16</sub> and 11000<sub>16</sub> to 117FF<sub>16</sub> ; the [vertical 16 dots] X [horizontal (right side) 4 dots] data of display characters are stored in addresses 10800<sub>16</sub> to 10FFF<sub>16</sub> and 11800<sub>16</sub> to 11FFF<sub>16</sub> (refer to Figure 8.10.11). Note however that the high-order 4 bits in the data to be written to addresses 10800<sub>16</sub> to 10FFF<sub>16</sub> and 11800<sub>16</sub> to 11FFF<sub>16</sub> must be set to "1" (by writing data "FX<sub>16</sub>"). Data of the character font is specified shown in Figure 8.10.11.

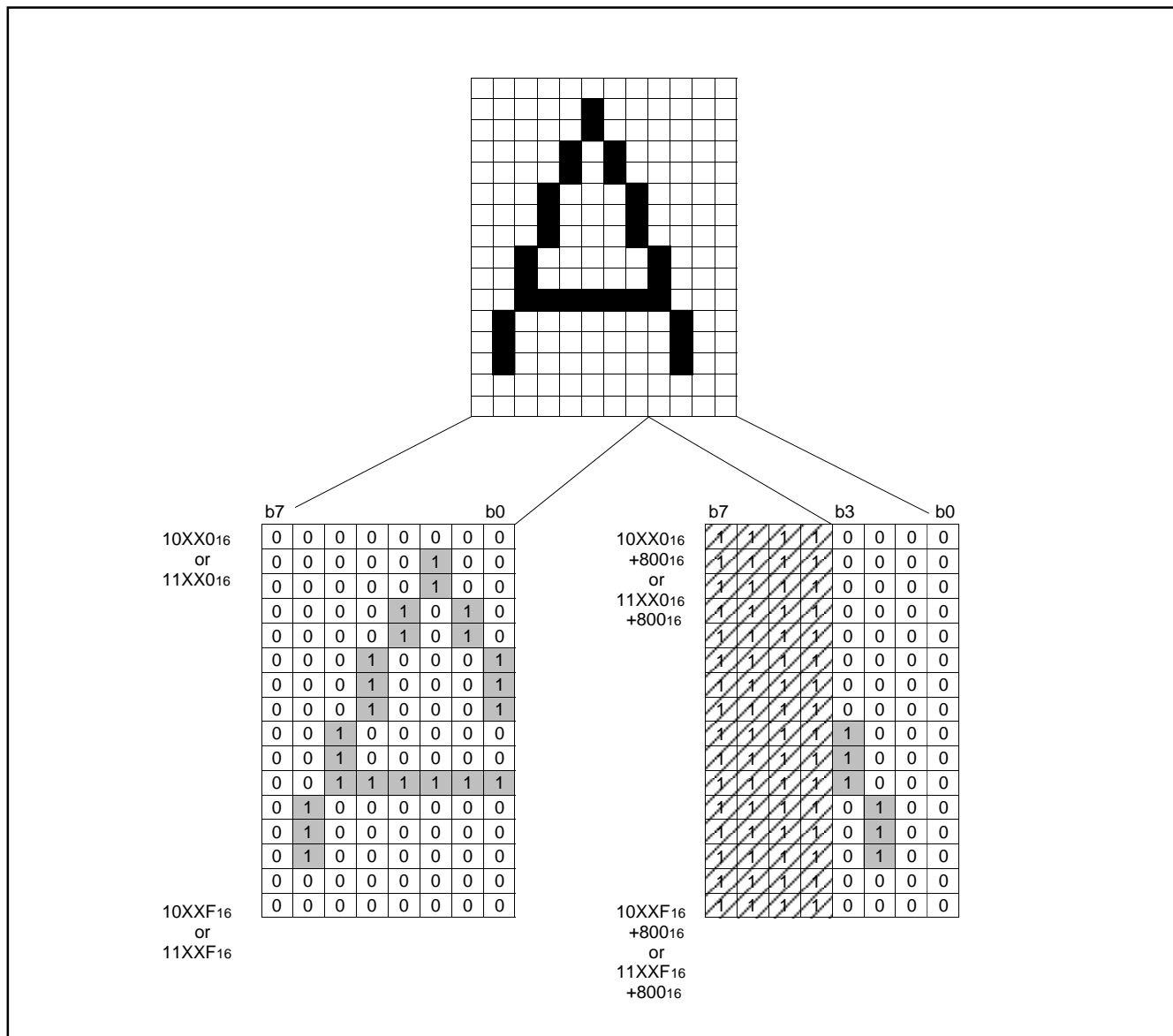


Fig. 8.10.11 Character Font Data Storing Address

# M37212M4/M8-XXXSP, M37212M6-XXXSP/FP M37212EFSP/FP

SINGLE-CHIP 8-BIT CMOS MICROCOMPUTER for VOLTAGE SYNTHESIZER  
with ON-SCREEN DISPLAY CONTROLLER

**Table 8.10.3 Character Code List (Partially Abbreviated)**

Character code	Character data storage address	
	Left 8 dots lines	Right 4 dots lines
00 <sub>16</sub>	1000 <sub>16</sub> to 1000F <sub>16</sub>	10800 <sub>16</sub> to 1080F <sub>16</sub>
01 <sub>16</sub>	10010 <sub>16</sub> to 1001F <sub>16</sub>	10810 <sub>16</sub> to 1081F <sub>16</sub>
02 <sub>16</sub>	10020 <sub>16</sub> to 1002F <sub>16</sub>	10820 <sub>16</sub> to 1082F <sub>16</sub>
03 <sub>16</sub>	10030 <sub>16</sub> to 1003F <sub>16</sub>	10830 <sub>16</sub> to 1083F <sub>16</sub>
:	:	:
7E <sub>16</sub>	107E0 <sub>16</sub> to 107EF <sub>16</sub>	10FE0 <sub>16</sub> to 10FEF <sub>16</sub>
7F <sub>16</sub>	107F0 <sub>16</sub> to 107FF <sub>16</sub>	10FF0 <sub>16</sub> to 10FFF <sub>16</sub>
80 <sub>16</sub>	11000 <sub>16</sub> to 1100F <sub>16</sub>	11800 <sub>16</sub> to 1180F <sub>16</sub>
81 <sub>16</sub>	11010 <sub>16</sub> to 1101F <sub>16</sub>	11810 <sub>16</sub> to 1181F <sub>16</sub>
:	:	:
FD <sub>16</sub>	117D0 <sub>16</sub> to 117DF <sub>16</sub>	11FD0 <sub>16</sub> to 11FDF <sub>16</sub>
FE <sub>16</sub>	117E0 <sub>16</sub> to 117EF <sub>16</sub>	11FE0 <sub>16</sub> to 11FEF <sub>16</sub>
FF <sub>16</sub>	117F0 <sub>16</sub> to 117FF <sub>16</sub>	11FF0 <sub>16</sub> to 11FFF <sub>16</sub>

## (2) OSD RAM (addresses 0600<sub>16</sub> to 06B7<sub>16</sub>)

The OSD RAM is allocated at addresses 0600<sub>16</sub> to 06B7<sub>16</sub>, and is divided into a display character code specification part, and color code specification part for each block. Table 8.10.4 shows the contents of the OSD RAM.

For example, to display 1 character position (the left edge) in block 1, write the character code in address 0600<sub>16</sub>, write the color code at 0680<sub>16</sub>.

The structure of the OSD RAM is shown in Figure 8.10.12.

**Table 8.10.4 Contents of OSD RAM**

Block	Display Position (from left)	Character Code Specification	Color Specification
Block 1	1st character	0600 <sub>16</sub>	0680 <sub>16</sub>
	2nd character	0601 <sub>16</sub>	0681 <sub>16</sub>
	3rd character	0602 <sub>16</sub>	0682 <sub>16</sub>
	:	:	:
	22nd character	0615 <sub>16</sub>	0695 <sub>16</sub>
	23rd character	0616 <sub>16</sub>	0696 <sub>16</sub>
Block 2	24th character	0617 <sub>16</sub>	0697 <sub>16</sub>
	Not used	0618 <sub>16</sub>	0698 <sub>16</sub>
		:	:
		061F <sub>16</sub>	069F <sub>16</sub>
	1st character	0620 <sub>16</sub>	06A0 <sub>16</sub>
	2nd character	0621 <sub>16</sub>	06A1 <sub>16</sub>
Block 2	3rd character	0622 <sub>16</sub>	06A2 <sub>16</sub>
	:	:	:
	22nd character	0635 <sub>16</sub>	06B5 <sub>16</sub>
	23rd character	0636 <sub>16</sub>	06B6 <sub>16</sub>
	24th character	0637 <sub>16</sub>	06B7 <sub>16</sub>



# M37212M4/M8-XXXSP, M37212M6-XXXSP/FP M37212EFSP/FP

SINGLE-CHIP 8-BIT CMOS MICROCOMPUTER for VOLTAGE SYNTHESIZER  
with ON-SCREEN DISPLAY CONTROLLER

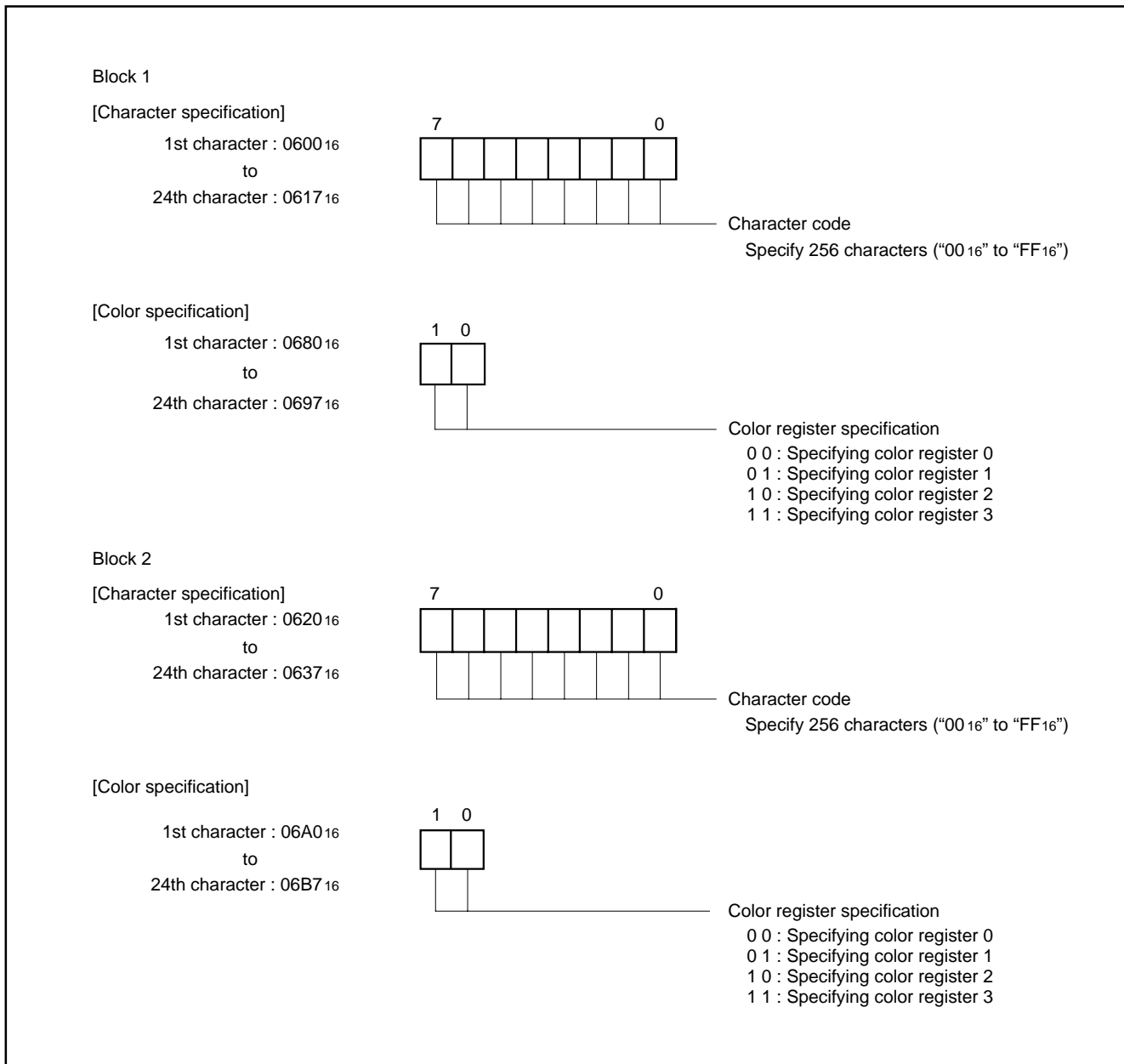


Fig. 8.10.12 Bit structure of OSD RAM

# M37212M4/M8-XXXSP, M37212M6-XXXSP/FP M37212EFSP/FP

SINGLE-CHIP 8-BIT CMOS MICROCOMPUTER for VOLTAGE SYNTHESIZER  
with ON-SCREEN DISPLAY CONTROLLER

## 8.10.5 Color Register

The color of a displayed character can be specified by setting the color to one of the 4 registers (CO0 to CO3: addresses 00E6<sub>16</sub> to 00E9<sub>16</sub>) and then specifying that color register with the OSD RAM. There are 3 color outputs; R, G and B. By using a combination of these outputs, it is possible to set 8 colors. However, since only 4 color registers are available, up to 4 colors can be disabled at one time.

R, G and B outputs are set by using bits 1 to 3 in the color register. Bit 5 is used to specify whether a character output or blank output. Bits 4, 6 and 7 are used to specify character background color. Figure 8.10.12 shows the color register.

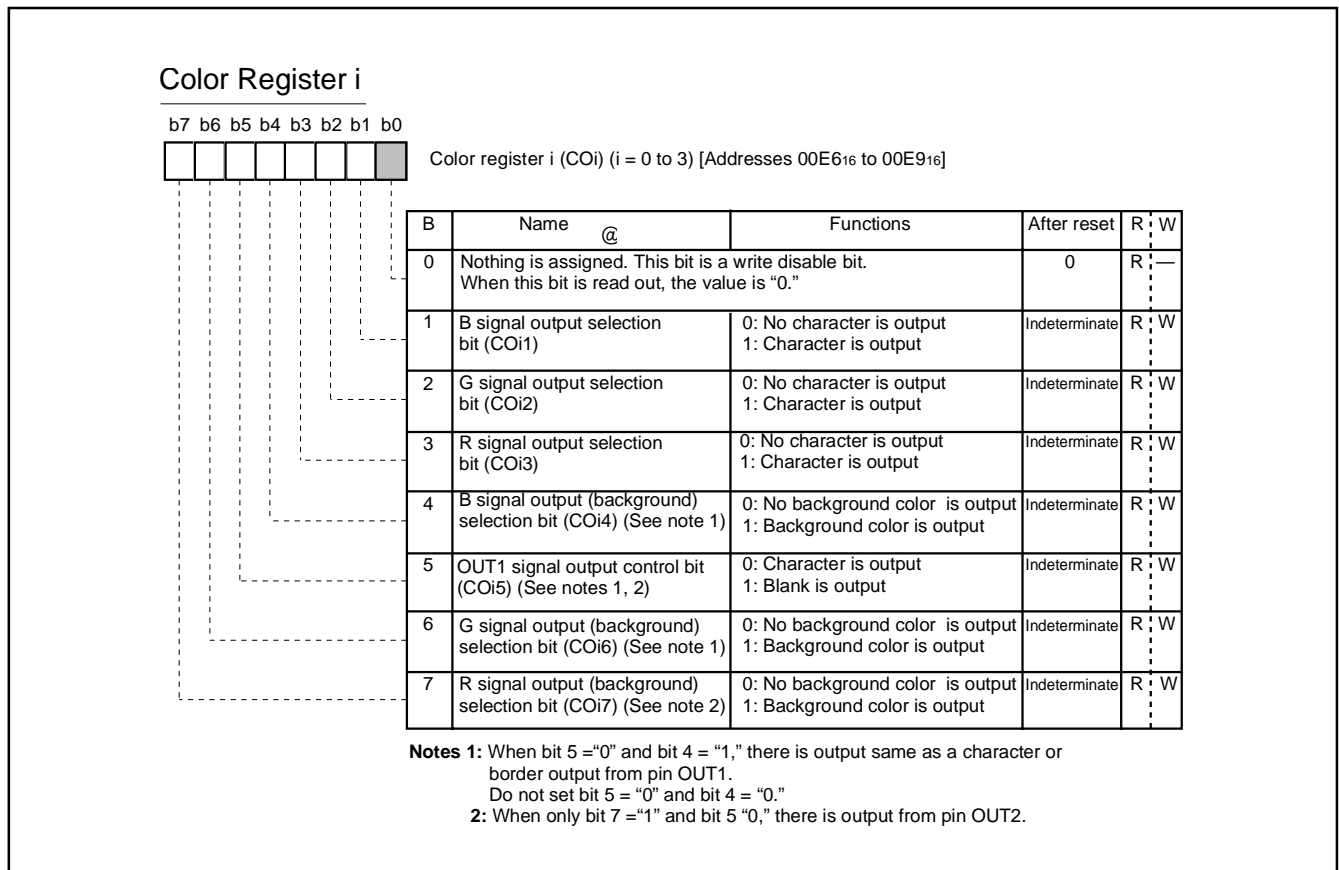


Fig. 8.10.13 Color Register i

**M37212M4/M8-XXXSP, M37212M6-XXXSP/FP  
M37212EFSP/FP**

SINGLE-CHIP 8-BIT CMOS MICROCOMPUTER for VOLTAGE SYNTHESIZER  
with ON-SCREEN DISPLAY CONTROLLER

**Table 8.10.5 Display Example of Character Background Coloring (When Green Is Set for a Character and Blue Is Set for Background Color)**

Border selection register			Color register i					G output	B output	OUT1 output	Character output	OUT2 output
MD <sub>0</sub>	COi7	COi6	COi5	COi4	COi3	COi2	COi1					
0	0	X	0	1	0	1	0		No output			No output (See note 2)
			(Note 1)							Same output as character A	Video signal and character color (green) are not mixed.	
0	1	X	0	1	0	1	0		No output			
										Same output as character A	Video signal and character color (green) are not mixed.	Blank output
0	0	0	1	0	0	1	0		No output			No output (See note 2)
										Blank output	TV image of character background is not displayed.	
0	0	0	1	1	0	1	0					No output (See note 2)
									Background color	Blank output	TV image of character background is not displayed.	
1	X	X	0	1	0	1	0		No output			No output (See note 2)
										Border output (Black)	Video signal and character color (green) are not mixed.	
1	0	0	1	0	0	1	0		No output			No output (See note 2)
										Blank output	TV image of character background is not displayed.	
1	0	0	1	1	0	1	0					No output (See note 2)
									Background color - border	Blank output	TV image of character background is not displayed.	

**Notes 1 :** When COi5 = "0" and COi4 = "1," there is output same as a character or border output from the OUT1 pin.  
Do not set COi5 = "0" and COi4 = "0."

**2 :** When only COi7 = "1" and COi5 = "0," there is output from pin OUT2.

**3 :** The portion "A" in which character dots are displayed is not mixed with any TV video signal.

**4 :** The wavy-lined arrows in the Table denote video signals.

**5 :** n : 0 to 3, X : 0 or 1

# M37212M4/M8-XXXSP, M37212M6-XXXSP/FP M37212EFSP/FP

SINGLE-CHIP 8-BIT CMOS MICROCOMPUTER for VOLTAGE SYNTHESIZER  
with ON-SCREEN DISPLAY CONTROLLER

## 8.10.6 Border

An border of 1 clock (1 dot) equivalent size can be added to a character to be displayed in both horizontal and vertical directions. The border is output from the OUT pin. In this case, set bit 5 of a color register to "0" (character is output).

Border can be specified in units of block by using the border selection register (address 00E5<sub>16</sub>). Figure 8.10.14 shows the border selection register. Table 8.10.6 shows the relationship between the values set in the border selection register and the character border function.

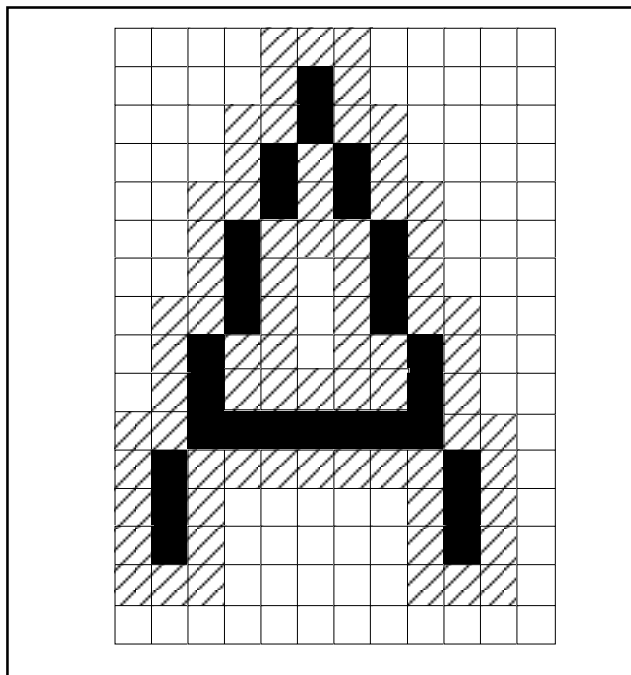


Fig. 8.10.15 Example of Border

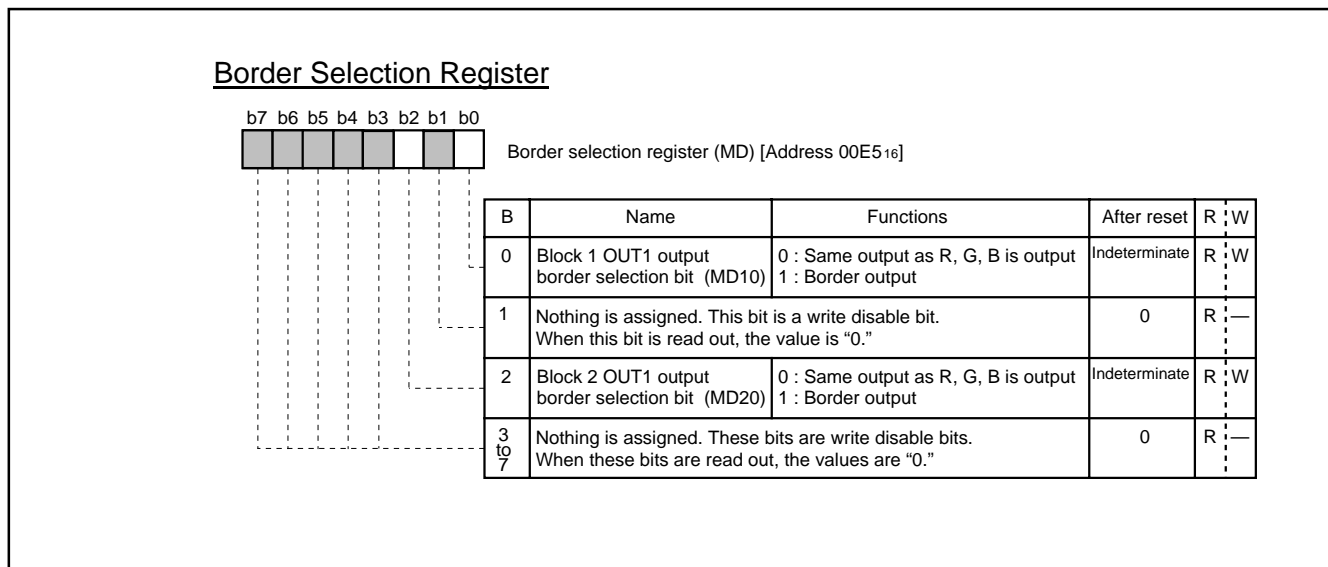


Fig. 8.10.14 Border Selection Register

Table 8.10.6 Relationship between Set Value in Border Selection Register and Character Border Function

Border selection register	Functions	Example of output	
MDn0		R, G, B output	OUT1 output
0	Ordinary		
1	Border including character		

# M37212M4/M8-XXXSP, M37212M6-XXXSP/FP M37212EFSP/FP

SINGLE-CHIP 8-BIT CMOS MICROCOMPUTER for VOLTAGE SYNTHESIZER  
with ON-SCREEN DISPLAY CONTROLLER

## 8.10.7 Multiline Display

This microcomputer can ordinarily display 2 lines on the CRT screen by displaying 2 blocks at different vertical positions. In addition, it can display up to 16 lines by using OSD interrupts.

An OSD interrupt request occurs at the point at which display of each block has been completed. In other words, when a scanning line reaches the point of the display position (specified by the vertical position registers) of a certain block, the character display of that block starts, and an interrupt occurs at the point at which the scanning line exceeds the block.

**Note:** An OSD interrupt does not occur at the end of display when the block is not displayed. In other words, if a block is set to off display by the display control bit of the CRT control register (address 00EA16), an OSD interrupt request does not occur (refer to Figure 8.10.16).

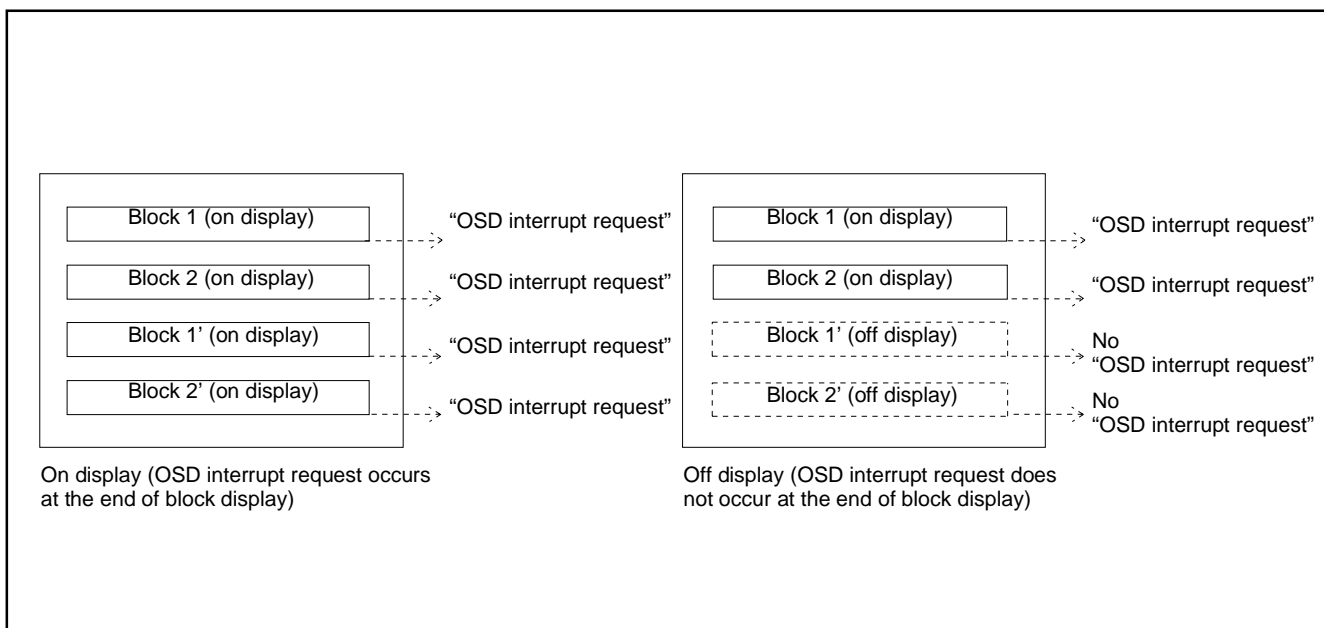


Fig. 8.10.16 Note on Occurrence of OSD Interrupt

# M37212M4/M8-XXXSP, M37212M6-XXXSP/FP M37212EFSP/FP

SINGLE-CHIP 8-BIT CMOS MICROCOMPUTER for VOLTAGE SYNTHESIZER  
with ON-SCREEN DISPLAY CONTROLLER

### 8.10.8 OSD Output Pin Control

The OSD output pins R, G, B and OUT1 can also function as ports P52-P55. Set corresponding bit of the port P5 direction register (address 00CB16) to "0" to specify these pins as OSD output pins, or set it to "1" to specify it as a general-purpose port P5.

The OUT2 can also function as port P10. Set bit 0 of the CRT port control register (address 00EC16) to "1" (output mode). After that, set bit 7 of the CRT port control register to "1" to specify the pin as OSD output pin, or set it to "0" to specify as port P10.

The input polarity of the HSYNC, VSYNC and output polarity of signals R, G, B, OUT1 and OUT2 can be specified with the CRT port control register (address 00EC) . Set a bit to "0" to specify positive polarity; set it to "1" to specify negative polarity (refer to Figure 8.11.13).

The CRT port control register is shown in Figure 8.10.17.

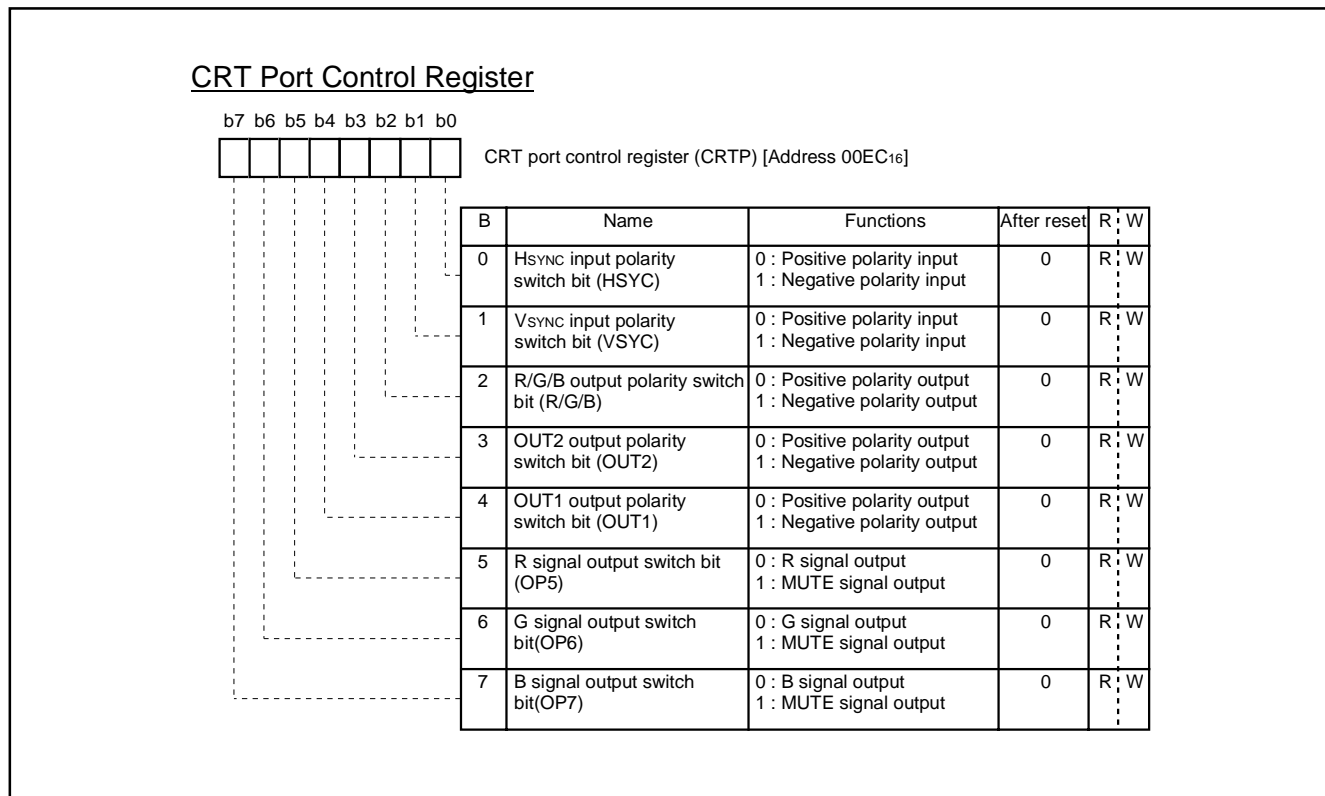


Fig. 8.10.17 CRT Port Control Register

# M37212M4/M8-XXXSP, M37212M6-XXXSP/FP M37212EFSP/FP

SINGLE-CHIP 8-BIT CMOS MICROCOMPUTER for VOLTAGE SYNTHESIZER  
with ON-SCREEN DISPLAY CONTROLLER

## 8.10.9 Raster Coloring Function

An entire screen (raster) can be colored by setting the CRT port control register. Since each of the R, G, B, OUT1, and OUT2 pins can be switched to raster coloring output, 8 raster colors can be obtained.

When the character color/the character background color overlaps with the raster color, the color (R, G, B, OUT1, OUT2), specified for the character color/the character background color, takes priority of the raster color. This ensures that character color/character background color is not mixed with the raster color.

The example of raster coloring is shown in Figure 8.10.18.

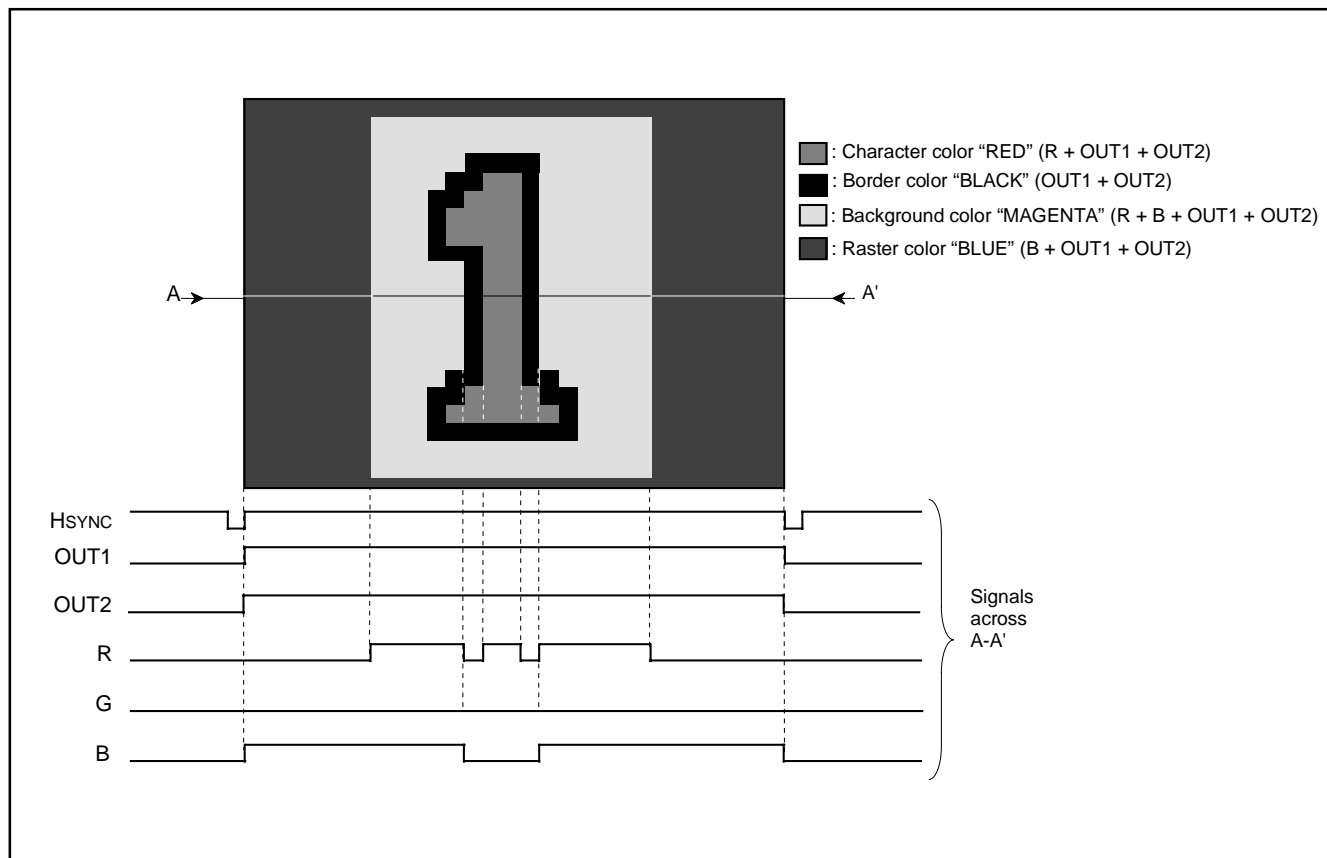


Fig. 8.10.18 Example of Raster Coloring

# M37212M4/M8-XXXSP, M37212M6-XXXSP/FP M37212EFSP/FP

SINGLE-CHIP 8-BIT CMOS MICROCOMPUTER for VOLTAGE SYNTHESIZER  
with ON-SCREEN DISPLAY CONTROLLER

## 8.11 SOFTWARE RUNAWAY DETECT FUNCTION

This microcomputer has a function to decode undefined instructions to detect a software runaway.

When an undefined op-code is input to the CPU as an instruction code during operation, the following processing is done.

- ① The CPU generates an undefined instruction decoding signal.
- ② The device is internally reset because of occurrence of the undefined instruction decoding signal.
- ③ As a result of internal reset, the same reset processing as in the case of ordinary reset operation is done, and the program restarts from the reset vector.

Note, however, that the software runaway detecting function cannot be invalid.

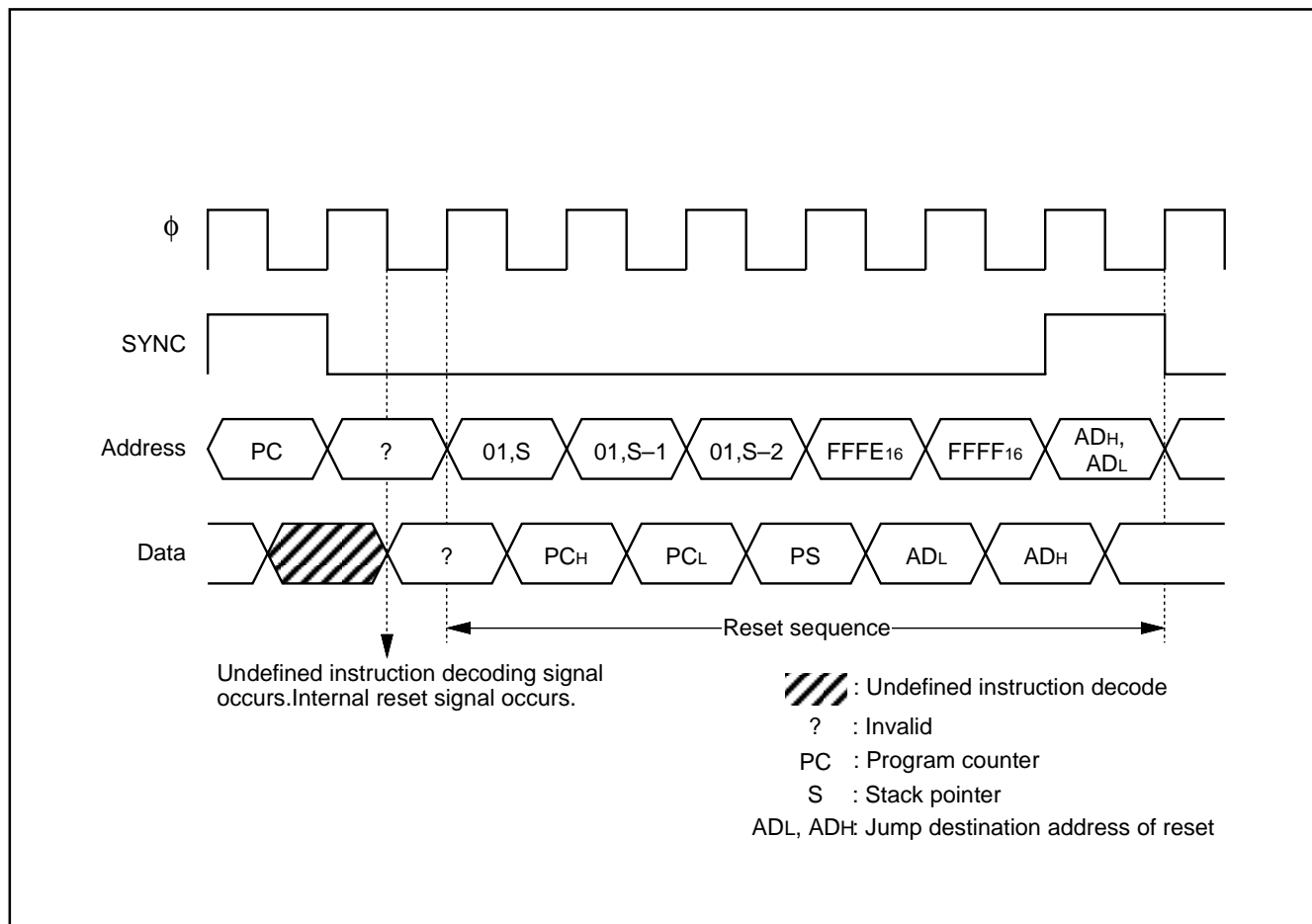


Fig. 8.11.1 Sequence at Detecting Software Runaway Detection



# M37212M4/M8-XXXSP, M37212M6-XXXSP/FP M37212EFSP/FP

SINGLE-CHIP 8-BIT CMOS MICROCOMPUTER for VOLTAGE SYNTHESIZER  
with ON-SCREEN DISPLAY CONTROLLER

## 8.12. RESET CIRCUIT

When the oscillation of a quartz-crystal oscillator or a ceramic resonator is stable and the power source voltage is  $5\text{ V} \pm 10\%$ , hold the  $\overline{\text{RESET}}$  pin at LOW for  $2\ \mu\text{s}$  or more, then return it to HIGH. Then, as shown in Figure 8.12.2, reset is released and the program starts from the address formed by using the content of address  $\text{FFFF}_{16}$  as the high-order address and the content of the address  $\text{FFFE}_{16}$  as the low-order address. The internal state of microcomputer at reset are shown in Figures 8.2.3 to 8.2.6.

An example of the reset circuit is shown in Figure 8.12.1. The reset input voltage must be kept  $0.6\text{ V}$  or less until the power source voltage surpasses  $4.5\text{ V}$ .

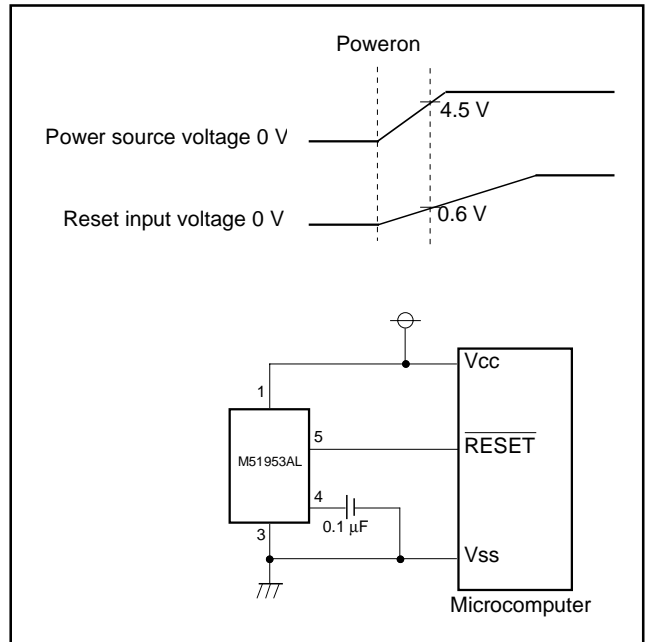


Fig. 8.12.1 Example of Reset Circuit

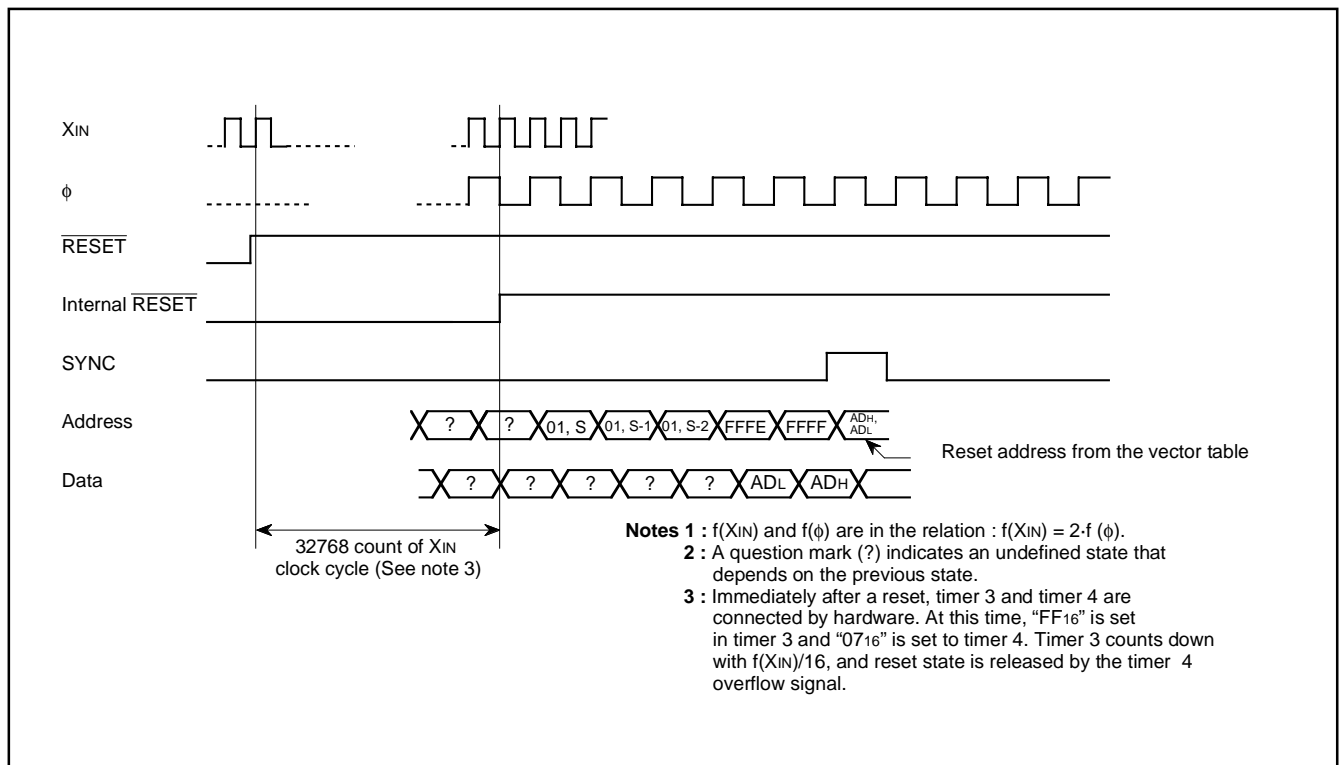


Fig. 8.12.2 Reset Sequence

# M37212M4/M8-XXXSP, M37212M6-XXXSP/FP M37212EFSP/FP

SINGLE-CHIP 8-BIT CMOS MICROCOMPUTER for VOLTAGE SYNTHESIZER  
with ON-SCREEN DISPLAY CONTROLLER

## 8.13 CLOCK GENERATING CIRCUIT

The built-in clock generating circuit is shown in Figure 8.13.3. When the STP instruction is executed, the internal clock  $\phi$  stops at HIGH. At the same time, timers 3 and 4 are connected by hardware and "FF16" is set in timer 3 and "0716" is set in the timer 4. Select  $f(XIN)/16$  as the timer 3 count source (set bit 0 of the timer mode register 2 to "0" before the execution of the STP instruction). Moreover, set the timer 3 and timer 4 interrupt enable bits to disabled ("0") before execution of the STP instruction). The oscillator restarts when external interrupt is accepted. However, the internal clock  $\phi$  keeps its HIGH until timer 4 overflows, allowing time for oscillation stabilization when a ceramic resonator or a quartz-crystal oscillator is used.

When the WIT instruction is executed, the internal clock  $\phi$  stops in the HIGH but the oscillator continues running. This wait state is released when an interrupt is accepted (See note). Since the oscillator does not stop, the next instruction can be executed at once.

When returning from the stop or the wait state, to accept an interrupt, set the corresponding interrupt enable bit to "1" before executing the STP or the WIT instructions.

**Note:** In the wait mode, the following interrupts are invalid.

- VSYNC interrupt
- OSD interrupt
- All timers interrupts using TIM2 and TIM3 pins input as count source
- All timers interrupts using  $f(XIN)/2$  as count source
- All timers interrupts using  $f(XIN)/4092$  as count source
- $f(XIN)/4096$  interrupt
- Multi-master I<sup>2</sup>C-BUS interface interrupt

A circuit example using a ceramic resonator (or a quartz-crystal oscillator) is shown in Figure 8.13.1. Use the circuit constants in accordance with the resonator manufacture's recommended values. A circuit example with external clock input is shown in Figure 8.13.2. Input the clock to the XIN pin, and open the XOUT pin.

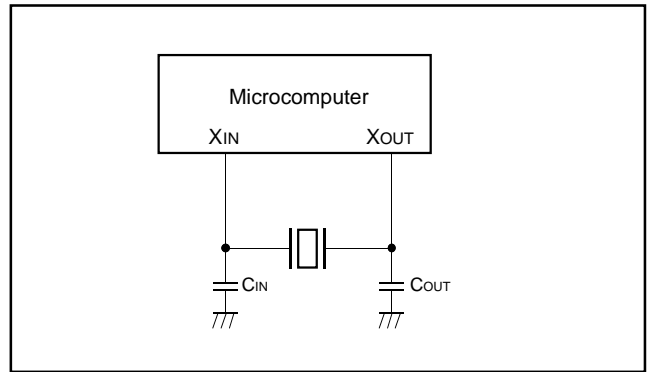


Fig. 8.13.1 Ceramic Resonator Circuit Example

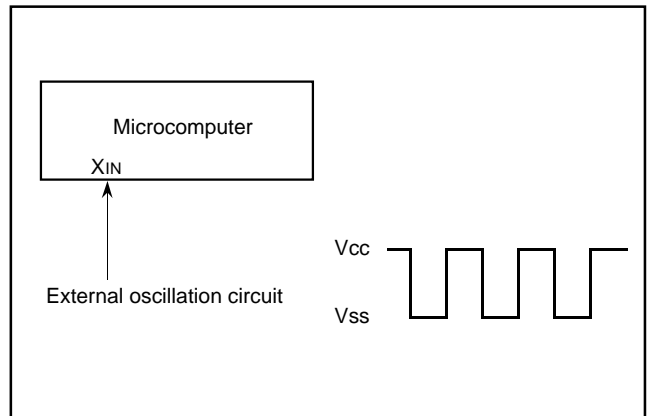


Fig. 8.13.2 External Clock Input Circuit Example

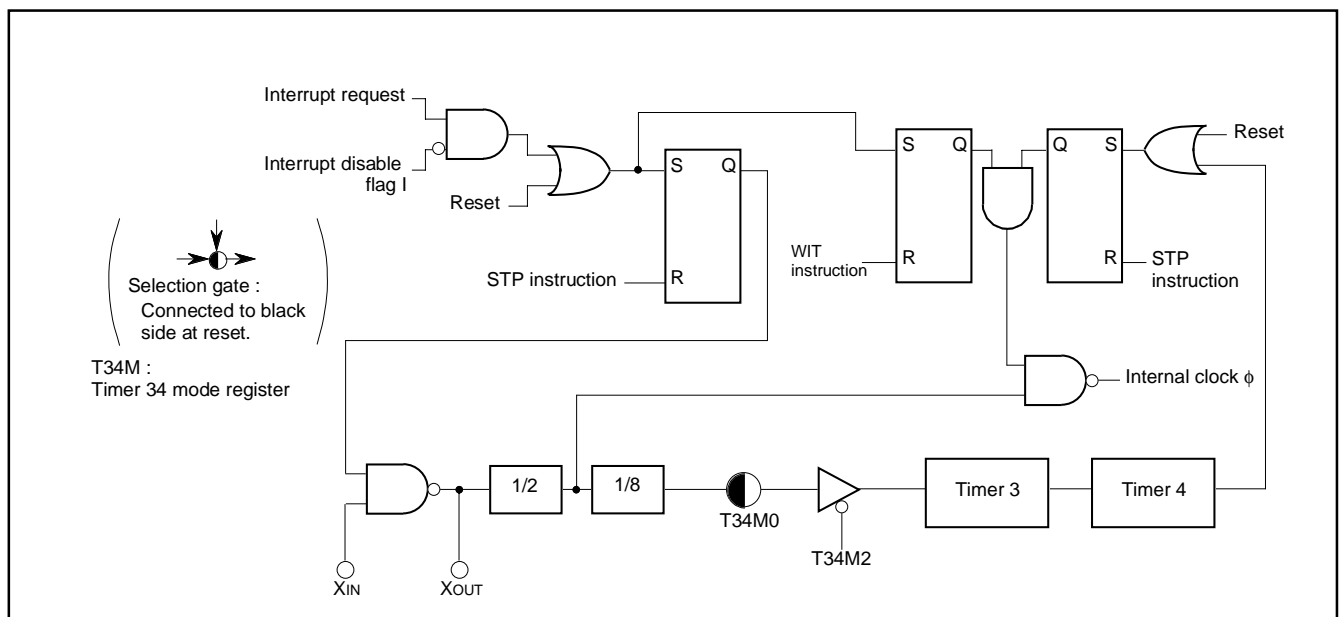


Fig. 8.13.3 Clock Generating Circuit Block Diagram

# M37212M4/M8-XXXSP, M37212M6-XXXSP/FP M37212EFSP/FP

SINGLE-CHIP 8-BIT CMOS MICROCOMPUTER for VOLTAGE SYNTHESIZER  
with ON-SCREEN DISPLAY CONTROLLER

## 8.14 DISPLAY OSCILLATION CIRCUIT

The OSD oscillation circuit has a built-in clock oscillation circuits, so that a clock for OSD can be obtained simply by connecting an LC, an RC, a ceramic resonator, or a quartz-crystal oscillator across the pins OSC1 and OSC2. Which of the sub-clock or the OSD oscillation circuit is selected by setting bits 0 and 1 of the CRT clock selection register (address 00ED16).

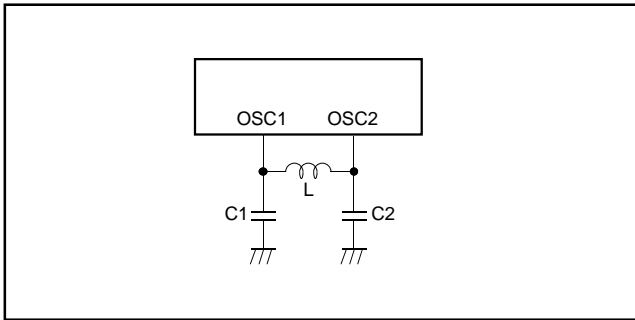


Fig. 8.14.1 Display Oscillation Circuit

## 8.15 AUTO-CLEAR CIRCUIT

When a power source is supplied, the auto-clear function will operate by connecting the following circuit to the  $\overline{\text{RESET}}$  pin.

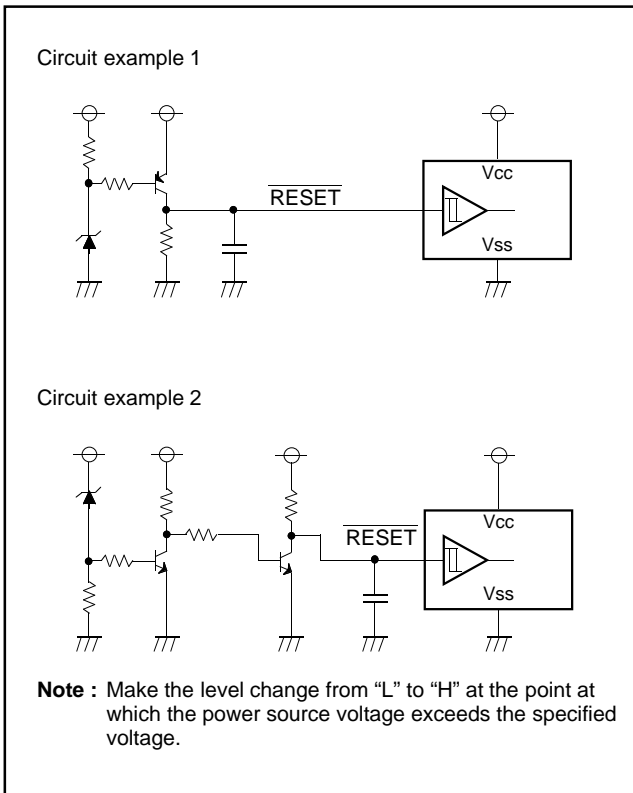


Fig. 8.15.1 Auto-clear Circuit Example

## 8.16 ADDRESSING MODE

The memory access is reinforced with 17 kinds of addressing modes. Refer to SERIES 740 <Software> User's Manual for details.

## 8.17 MACHINE INSTRUCTIONS

There are 71 machine instructions. Refer to SERIES 740 <Software> User's Manual for details.

## 9. PROGRAMMING NOTES

- The divide ratio of the timer is  $1/(n+1)$ .
- Even though the BBC and BBS instructions are executed immediately after the interrupt request bits are modified (by the program), those instructions are only valid for the contents before the modification. At least one instruction cycle is needed (such as an NOP) between the modification of the interrupt request bits and the execution of the BBC and BBS instructions.
- After the ADC and SBC instructions are executed (in the decimal mode), one instruction cycle (such as an NOP) is needed before the SEC, CLC, or CLD instruction is executed.
- An NOP instruction is needed immediately after the execution of a PLP instruction.
- In order to avoid noise and latch-up, connect a bypass capacitor ( $\approx 0.1\mu\text{F}$ ) directly between the VCC pin-VSS pin and the VCC pin-CNVSS pin, using a thick wire.

**M37212M4/M8-XXXSP, M37212M6-XXXSP/FP  
M37212EFSP/FP**

SINGLE-CHIP 8-BIT CMOS MICROCOMPUTER for VOLTAGE SYNTHESIZER  
with ON-SCREEN DISPLAY CONTROLLER

**10. ABSOLUTE MAXIMUM RATINGS**

Symbol	Parameter	Conditions	Ratings	Unit
V <sub>CC</sub> , AV <sub>CC</sub>	Power source voltage V <sub>CC</sub>	All voltages are based on V <sub>SS</sub> . Output transistors are cut off.	-0.3 to 6	V
V <sub>I</sub>	Input voltage CNV <sub>SS</sub>		-0.3 to 6	V
V <sub>I</sub>	Input voltage P00-P07, P10-P17, P20-P27, P30-P37, P40-P42, OSC1, XIN, HSYNC, VSYNC, RESET		-0.3 to V <sub>CC</sub> + 0.3	V
V <sub>O</sub>	Output voltage P10-P14, P20-P17, P30, P31, P40, P41, R, G, B, OUT1, DA XOUT, OSC2		-0.3 to V <sub>CC</sub> + 0.3	V
V <sub>O</sub>	Output voltage P00-P07, P60-P63		-0.3 to 13	V
I <sub>OH</sub>	Circuit current R, G, B, OUT1, P10-P14, P20-P27, P30, P31, DA		0 to 1 (See note 1)	mA
I <sub>OL1</sub>	Circuit current R, G, B, OUT1, P06, P07, P10, P20-P23, P30, P31, P40, P41, DA		0 to 2 (See note 2)	mA
I <sub>OL2</sub>	Circuit current P11-P14		0 to 6 (See note 2)	mA
I <sub>OL3</sub>	Circuit current P00-P07, P60-P63		0 to 1 (See note 2)	mA
I <sub>OL4</sub>	Circuit current P24-P27		0 to 10 (See note 3)	mA
P <sub>d</sub>	Power dissipation	T <sub>a</sub> = 25 °C	550	mW
T <sub>opr</sub>	Operating temperature		-10 to 70	°C
T <sub>stg</sub>	Storage temperature		-40 to 125	°C

**11. RECOMMENDED OPERATING CONDITIONS** (T<sub>a</sub> = -10 °C to 70 °C, V<sub>CC</sub> = 5 V ± 10 %, unless otherwise noted)

Symbol	Parameter	Limits			Unit
		Min.	Typ.	Max.	
V <sub>CC</sub>	Power source voltage (See note 4), During CPU, OSD operation	4.5	5.0	5.5	V
V <sub>SS</sub>	Power source voltage	0	0	0	V
V <sub>IH1</sub>	HIGH input voltage P00-P07, P10-P17, P20-P27, P30-P37, S <sub>IN</sub> , S <sub>CLK</sub> , H <sub>SYNC</sub> , V <sub>SYNC</sub> , RESET, X <sub>IN</sub> , OSC1, TIM2, TIM3, INT1-INT3	0.8V <sub>CC</sub>		V <sub>CC</sub>	V
V <sub>IH2</sub>	HIGH input voltage SCL1, SCL2, SDA1, SDA2 (When using I <sup>2</sup> C-BUS)	0.7V <sub>CC</sub>		V <sub>CC</sub>	V
V <sub>IL1</sub>	LOW input voltage P00-P07, P10-P17, P20-P27, P30-P37, P40-P42	0		0.4 V <sub>CC</sub>	V
V <sub>IL2</sub>	LOW input voltage SCL1, SCL2, SDA1, SDA2 (When using I <sup>2</sup> C-BUS)	0		0.3 V <sub>CC</sub>	V
V <sub>IL3</sub>	LOW input voltage (See note 6) H <sub>SYNC</sub> , V <sub>SYNC</sub> , RESET, TIM2, TIM3, INT1-INT3, X <sub>IN</sub> , OSC1, S <sub>IN</sub> , S <sub>CLK</sub>	0		0.2 V <sub>CC</sub>	V
I <sub>OH</sub>	HIGH average output current (See note 1) R, G, B, OUT1, DA, P10-P14, P20-P27, P30, P31			1	mA
I <sub>OL1</sub>	LOW average output current (See note 2) R, G, B, OUT1, DA, P10, P20-P23, P30, P31, P40, P41			2	mA
I <sub>OL2</sub>	LOW average output current (See note 2) P11-P14			6	mA
I <sub>OL3</sub>	LOW average output current (See note 2) P00-P07, P60-P63			1	mA
I <sub>OL4</sub>	LOW average output current (See note 3) P24-P27			10	mA
f(X <sub>IN</sub> )	Oscillation frequency (for CPU operation) (See note 5) X <sub>IN</sub>	7.9	8.0	8.1	MHz
f <sub>osc</sub>	Oscillation frequency (for OSD) OSC1	5.0		8.0	MHz
f <sub>hs1</sub>	Input frequency TIM2, TIM3			100	kHz
f <sub>hs2</sub>	Input frequency S <sub>CLK</sub>			1	MHz
f <sub>hs3</sub>	Input frequency SCL1, SCL2			400	kHz

**M37212M4/M8-XXXSP, M37212M6-XXXSP/FP  
M37212EFSP/FP**

SINGLE-CHIP 8-BIT CMOS MICROCOMPUTER for VOLTAGE SYNTHESIZER  
with ON-SCREEN DISPLAY CONTROLLER

**12. ELECTRIC CHARACTERISTICS** ( $V_{CC} = 5\text{ V} \pm 10\%$ ,  $V_{SS} = 0\text{ V}$ ,  $f(X_{IN}) = 8\text{ MHz}$ ,  $T_a = -10\text{ }^\circ\text{C}$  to  $70\text{ }^\circ\text{C}$ , unless otherwise noted)

Symbol	Parameter		Test conditions		Limits			Unit	Test circuit
					Min.	Typ.	Max.		
I <sub>CC</sub>	Power source current	System operation	$V_{CC} = 5.5\text{ V}$ , $f(X_{IN}) = 4\text{ MHz}$	OSD OFF		10	20	mA	1
				OSD ON		20	40		
		Stop mode	$V_{CC} = 5.5\text{ V}$ , $f(X_{IN}) = 8\text{ MHz}$	OSD OFF		20	40		
				OSD ON		30	60		
						300	$\mu\text{A}$		
VOH	HIGH output voltage	R, G, B, OUT1, DA, P10-P14, P20-P27, P30, P31	$V_{CC} = 4.5\text{ V}$ $I_{OH} = -0.5\text{ mA}$		2.4			V	2
VOL	LOW output voltage	R, G, B, OUT1, DA, P10, P20-P23, P30, P31, P40, P41	$V_{CC} = 4.5\text{ V}$ $I_{OL} = 0.5\text{ mA}$				0.4	V	
	LOW output voltage	P24-P27	$V_{CC} = 4.5\text{ V}$ $I_{OL} = 10.0\text{ mA}$				3.0		
	LOW output voltage	P11-P14	$V_{CC} = 4.5\text{ V}$	$I_{OL} = 3\text{ mA}$			0.4		
				$I_{OL} = 6\text{ mA}$			0.6		
	LOW output voltage	P00-P07, P60-P63	$V_{CC} = 4.5\text{ V}$ $I_{OL} = 0.5\text{ mA}$				0.4		
V <sub>T+</sub> - V <sub>T-</sub>	Hysteresis	RESET	$V_{CC} = 5.0\text{ V}$			0.5	0.7	V	3
	Hysteresis (See note 6)	HSYNC, VSYNC, TIM2, TIM3, INT1-INT3, SCL1, SCL2, SDA1, SDA2, SIN, SCLK	$V_{CC} = 5.0\text{ V}$			0.5	1.3		
I <sub>IZH</sub>	HIGH input leak current	RESET, P10-P17, P20-P27, P30-P37, P40-P42, HSYNC, VSYNC	$V_{CC} = 5.5\text{ V}$ $V_I = 5.5\text{ V}$				5	$\mu\text{A}$	4
I <sub>IZL</sub>	LOW input leak current	RESET, P00-P07, P10-P17, P20-P27, P30-P37, P40-P42, P60-P63, HSYNC, VSYNC	$V_{CC} = 5.5\text{ V}$ $V_I = 0\text{ V}$				5	$\mu\text{A}$	
I <sub>OZH</sub>	HIGH input leak current	P00-P07, P60-P63	$V_{CC} = 5.5\text{ V}$ $V_I = 12\text{ V}$				10	$\mu\text{A}$	5
R <sub>BS</sub>	I <sup>2</sup> C-BUS-BUS switch connection resistor (between SCL1 and SCL2, SDA1 and SDA2)		$V_{CC} = 4.5\text{ V}$				130	$\Omega$	6

- Notes 1:** The total current that flows out of the IC must be 20 mA or less.
- 2:** The total input current to IC ( $I_{OL1} + I_{OL2} + I_{OL3}$ ) must be 30 mA or less.
- 3:** The total average input current for ports P24-P27 to IC must be 20 mA or less.
- 4:** Connect 0.1  $\mu\text{F}$  or more capacitor externally between the power source pins  $V_{CC}$ - $V_{SS}$  so as to reduce power source noise.  
Also connect 0.1  $\mu\text{F}$  or more capacitor externally between the pins  $V_{CC}$ - $CNV_{SS}$ .
- 5:** Use a quartz-crystal oscillator or a ceramic resonator for the CPU oscillation circuit. When using the data slicer, use 8 MHz.
- 6:** P15, P32-P35 have the hysteresis when these pins are used as interrupt input pins or timer input pins. P11-P14 have the hysteresis when these pins are used as multi-master I<sup>2</sup>C-BUS interface ports. P40-P42 have the hysteresis when these pins are used as serial I/O pins.
- 7:** Pin names in each parameter is described as below.
- (1) Dedicated pins: dedicated pin names.
  - (2) Duple-/triple-function ports
    - When the same limits: I/O port name.
    - When the limits of functins except ports are different from I/O port limits: function pin name.

# M37212M4/M8-XXXSP, M37212M6-XXXSP/FP M37212EFSP/FP

SINGLE-CHIP 8-BIT CMOS MICROCOMPUTER for VOLTAGE SYNTHESIZER  
with ON-SCREEN DISPLAY CONTROLLER

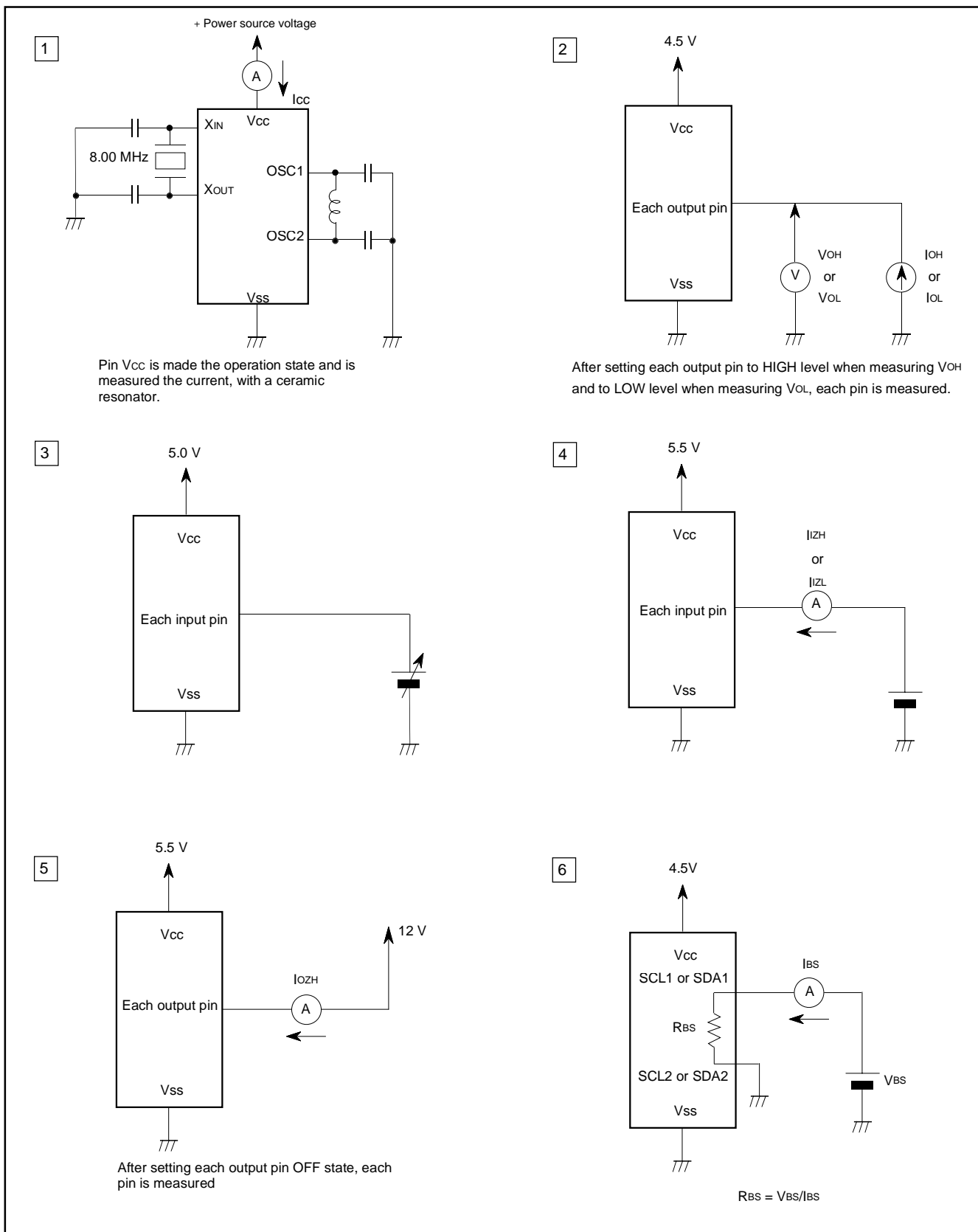


Fig.12.1 Measure Circuits

# M37212M4/M8-XXXSP, M37212M6-XXXSP/FP M37212EFSP/FP

SINGLE-CHIP 8-BIT CMOS MICROCOMPUTER for VOLTAGE SYNTHESIZER  
with ON-SCREEN DISPLAY CONTROLLER

## 13. A-D COMPARISON CHARACTERISTICS

(VCC = 5 V ± 10 %, VSS = 0 V, f(XIN) = 8 MHz, Ta = 25 °C, unless otherwise noted)

Symbol	Parameter	Test conditions	Limits			Unit
			Min.	Typ.	Max.	
—	Resolution				6	bits
—	Absolute accuracy		0	±1	±2	LSB

## 14. MULTI-MASTER I<sup>2</sup>C-BUS BUS LINE CHARACTERISTICS

Symbol	Parameter	Standard clock mode		High-speed clock mode		Unit
		Min.	Max.	Min.	Max.	
t <sub>BUF</sub>	Bus free time	4.7		1.3		μs
t <sub>HD; STA</sub>	Hold time for START condition	4.0		0.6		μs
t <sub>LOW</sub>	LOW period of SCL clock	4.7		1.3		μs
t <sub>R</sub>	Rising time of both SCL and SDA signals		1000	20+0.1C <sub>b</sub>	300	ns
t <sub>HD; DAT</sub>	Data hold time	0		0	0.9	μs
t <sub>HIGH</sub>	HIGH period of SCL clock	4.0		0.6		μs
t <sub>F</sub>	Falling time of both SCL and SDA signals		300	20+0.1C <sub>b</sub>	300	ns
t <sub>SU; DAT</sub>	Data set-up time	250		100		ns
t <sub>SU; STA</sub>	Set-up time for repeated START condition	4.7		0.6		μs
t <sub>SU; STO</sub>	Set-up time for STOP condition	4.0		0.6		μs

**Note:** C<sub>b</sub> = total capacitance of 1 bus line

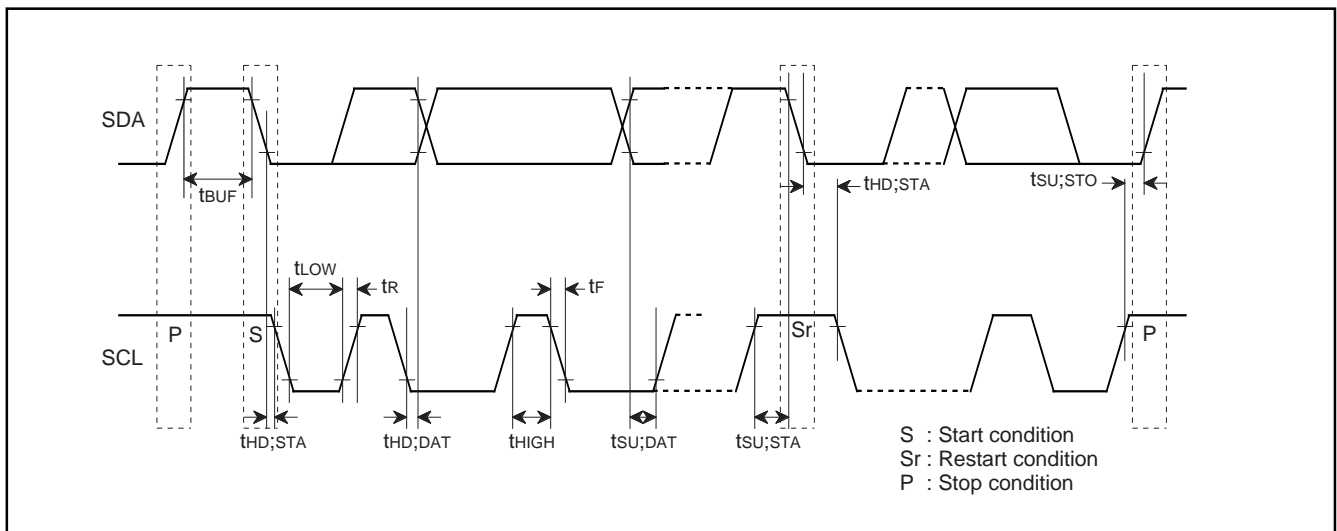


Fig.14.1 Definition Diagram of Timing on Multi-master I<sup>2</sup>C-BUS

# M37212M4/M8-XXXSP, M37212M6-XXXSP/FP M37212EFSP/FP

SINGLE-CHIP 8-BIT CMOS MICROCOMPUTER for VOLTAGE SYNTHESIZER  
with ON-SCREEN DISPLAY CONTROLLER

## 15. PROM PROGRAMMING METHOD

The built-in PROM of the One Time PROM version (blank) and the built-in EPROM version can be read or programmed with a general-purpose PROM programmer using a special programming adapter.

Product	Name of Programming Adapter
M37212EFSP	PCA7406
M37212EFPF	PCA7420

The PROM of the One Time PROM version (blank) is not tested or screened in the assembly process nor any following processes. To ensure proper operation after programming, the procedure shown in Figure 15.1 is recommended to verify programming.

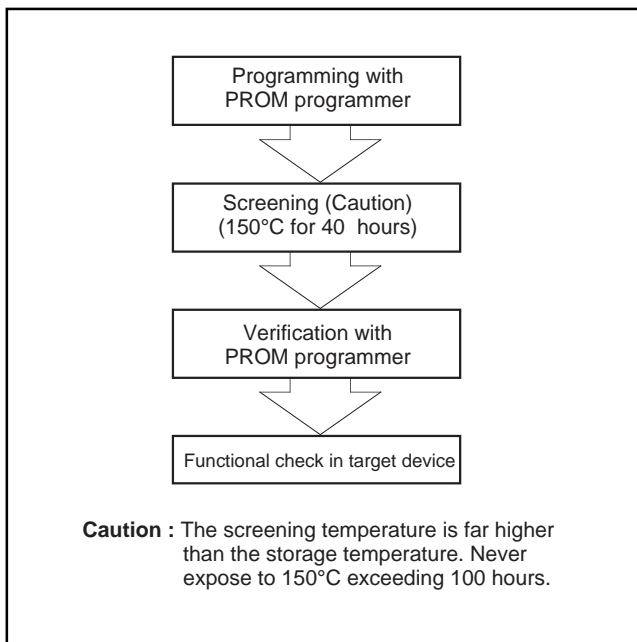


Fig. 15.1 Programming and Testing of One Time PROM Version



# M37212M4/M8-XXXSP, M37212M6-XXXSP/FP M37212EFSP/FP

SINGLE-CHIP 8-BIT CMOS MICROCOMPUTER for VOLTAGE SYNTHESIZER  
with ON-SCREEN DISPLAY CONTROLLER

---

## 16. DATA REQUIRED FOR MASK ORDERS

The following are necessary when ordering a mask ROM production:

- Mask ROM Order Confirmation Form
- Mask Specification Form
- Data to be written to ROM, in EPROM form (32-pin DIP Type 27C101, three identical copies) or FDK

# M37212M4/M8-XXXSP, M37212M6-XXXSP/FP M37212EFSP/FP

SINGLE-CHIP 8-BIT CMOS MICROCOMPUTER for VOLTAGE SYNTHESIZER  
with ON-SCREEN DISPLAY CONTROLLER

## 17. MASK CONFIRMATION FORM

GZZ-SH55-23B < 91A0 >

Mask ROM number	
-----------------	--

### 740 FAMILY MASK ROM CONFIRMATION FORM SINGLE-CHIP MICROCOMPUTER M37212M4-XXXSP MITSUBISHI ELECTRIC

Receipt	Date:	
	Section head signature	Supervisor signature

Note : Please fill in all items marked \*.

* Customer	Company name	TEL (     )	Issuance signature	Submitted by	Supervisor
	Date issued	Date :			

### \*1. Confirmation

Three EPROMs are required for each pattern if this order is performed by EPROMs.  
One floppy disk is required for each pattern if this order is performed by a floppy disk.

Ordering by EPROMs

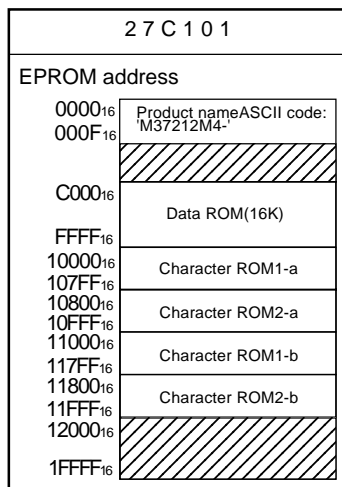
If at least two of the three sets of EPROMs submitted contain identical data, we will produce masks based on this data. We shall assume the responsibility for errors only if the mask ROM data on the products we produce differs from this data. Thus, extreme care must be taken to verify the data in the submitted EPROMs.

Checksum code for entire EPROM 

--	--	--	--

 (hexadecimal notation)

EPROM type (indicate the type used)



(1) Set "FF<sub>16</sub>" in the shaded area.

(1/3)

**M37212M4/M8-XXXSP, M37212M6-XXXSP/FP  
M37212EFSP/FP**

SINGLE-CHIP 8-BIT CMOS MICROCOMPUTER for VOLTAGE SYNTHESIZER  
with ON-SCREEN DISPLAY CONTROLLER

GZZ-SH55-23B < 91A0 >

**740 FAMILY MASK ROM CONFIRMATION FORM  
SINGLE-CHIP MICROCOMPUTER M37212M4-XXXSP  
MITSUBISHI ELECTRIC**

(2) Write the ASCII codes that indicate the product name of "M37212M4-" to addresses 0000<sub>16</sub> to 000F<sub>16</sub>.

Addresses 0000<sub>16</sub> to 000F<sub>16</sub> store the product name.  
ASCII codes 'M37212M4-' are listed on the right.  
The addresses and data are in hexadecimal notation.

Address		Address	
0000 <sub>16</sub>	'M' = 4D <sub>16</sub>	0008 <sub>16</sub>	'-' = 2D <sub>16</sub>
0001 <sub>16</sub>	'3' = 33 <sub>16</sub>	0009 <sub>16</sub>	FF <sub>16</sub>
0002 <sub>16</sub>	'7' = 37 <sub>16</sub>	000A <sub>16</sub>	FF <sub>16</sub>
0003 <sub>16</sub>	'2' = 32 <sub>16</sub>	000B <sub>16</sub>	FF <sub>16</sub>
0004 <sub>16</sub>	'1' = 31 <sub>16</sub>	000C <sub>16</sub>	FF <sub>16</sub>
0005 <sub>16</sub>	'2' = 32 <sub>16</sub>	000D <sub>16</sub>	FF <sub>16</sub>
0006 <sub>16</sub>	'M' = 4D <sub>16</sub>	000E <sub>16</sub>	FF <sub>16</sub>
0007 <sub>16</sub>	'4' = 34 <sub>16</sub>	000F <sub>16</sub>	FF <sub>16</sub>

**Note:** If the name of the product contained in the EPROMs does not match the name on the mask ROM confirmation form, the ROM processing is disabled. Please make sure the data is written correctly.

Ordering by floppy disk

We will produce masks based on the mask files generated by the mask file generating utility. We shall assume the responsibility for errors only if the mask ROM data on the products we produce differs from this mask file. Thus, extreme care must be taken to verify the mask file in the submitted floppy disk.

The submitted floppy disk must be 3.5-inch 2HD type and DOS/V format. And the number of the mask files must be 1 in one floppy disk.

File code 

--	--	--	--	--	--	--	--

 (hexadecimal notation)

Mask file name 

--	--	--	--	--	--	--	--

 .MSK (equal or less than eight characters)

\*2. Mark specification

Mark specification must be submitted using the correct form for the type of package being ordered. Fill the appropriate mark specification form (52P4B for M37212M4-XXXSP) and attach to the mask ROM confirmation form.

\*3. Comments

# M37212M4/M8-XXXSP, M37212M6-XXXSP/FP M37212EFSP/FP

SINGLE-CHIP 8-BIT CMOS MICROCOMPUTER for VOLTAGE SYNTHESIZER  
with ON-SCREEN DISPLAY CONTROLLER

GZZ-SH55-23B < 91A0 >

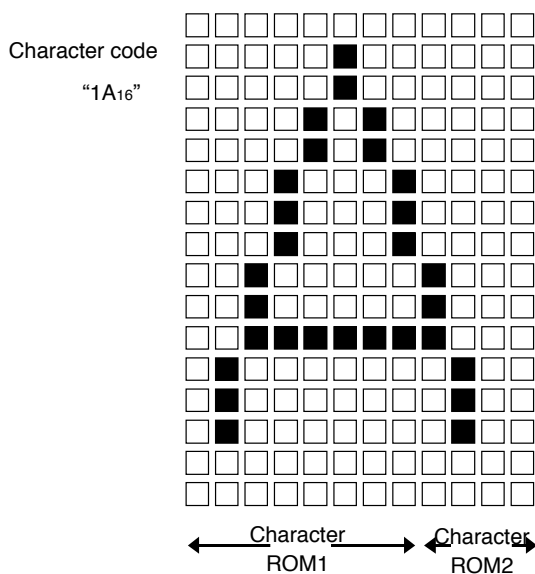
## 740 FAMILY MASK ROM CONFIRMATION FORM SINGLE-CHIP MICROCOMPUTER M37212M4-XXXSP MITSUBISHI ELECTRIC

Inputting the character ROM

Input the character ROM data by dividing it into character ROM1 and character ROM2.

The structure of character ROM (divided into 12 × 16 dots font)

Example



(Note)

Write the character code "00<sub>16</sub>" to "7F<sub>16</sub>" to Addresses 10000<sub>16</sub> to 10FFF<sub>16</sub>.

Write the character code "80<sub>16</sub>" to "FF<sub>16</sub>" to Addresses 11000<sub>16</sub> to 11FFF<sub>16</sub>.

	b7	b6	b5	b4	b3	b2	b1	b0	
0									00 <sub>16</sub>
1									04 <sub>16</sub>
2									04 <sub>16</sub>
3									0A <sub>16</sub>
4									0A <sub>16</sub>
5									11 <sub>16</sub>
6									11 <sub>16</sub>
7									11 <sub>16</sub>
8									20 <sub>16</sub>
9									20 <sub>16</sub>
A									3F <sub>16</sub>
B									40 <sub>16</sub>
C									40 <sub>16</sub>
D									40 <sub>16</sub>
E									00 <sub>16</sub>
F									00 <sub>16</sub>

Example 101A0<sub>16</sub>  
to  
101AF<sub>16</sub>

	b7	b6	b5	b4	b3	b2	b1	b0	
0									F0 <sub>16</sub>
1									F0 <sub>16</sub>
2									F0 <sub>16</sub>
3									F0 <sub>16</sub>
4									F0 <sub>16</sub>
5									F0 <sub>16</sub>
6									F0 <sub>16</sub>
7									F0 <sub>16</sub>
8									F8 <sub>16</sub>
9									F8 <sub>16</sub>
A									F8 <sub>16</sub>
B									F4 <sub>16</sub>
C									F4 <sub>16</sub>
D									F4 <sub>16</sub>
E									F0 <sub>16</sub>
F									F0 <sub>16</sub>

Example 109A0<sub>16</sub>  
to  
109AF<sub>16</sub>

# M37212M4/M8-XXXSP, M37212M6-XXXSP/FP M37212EFSP/FP

SINGLE-CHIP 8-BIT CMOS MICROCOMPUTER for VOLTAGE SYNTHESIZER  
with ON-SCREEN DISPLAY CONTROLLER

GZZ-SH55-24B < 91A0 >

Mask ROM number	
-----------------	--

## 740 FAMILY MASK ROM CONFIRMATION FORM SINGLE-CHIP MICROCOMPUTER M37212M6-XXXSP/FP MITSUBISHI ELECTRIC

Receipt	Date:	
	Section head signature	Supervisor signature

Note : Please fill in all items marked \*.

*	Customer	Company name	TEL ( )	Issuance signature	Submitted by	Supervisor
		Date issued	Date :			

\*1. Confirmation

Specify the name of the product being ordered.

Three EPROMs are required for each pattern if this order is performed by EPROMs.

One floppy disk is required for each pattern if this order is performed by a floppy disk.

Microcomputer name :     M37212M6-XXXSP     M37212M6-XXXFP

Ordering by EPROMs

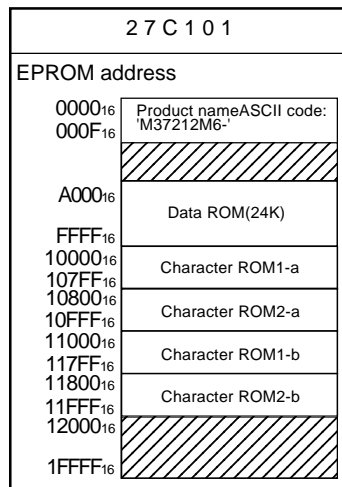
If at least two of the three sets of EPROMs submitted contain identical data, we will produce masks based on this data. We shall assume the responsibility for errors only if the mask ROM data on the products we produce differs from this data. Thus, extreme care must be taken to verify the data in the submitted EPROMs.

Checksum code for entire EPROM    

--	--	--	--

 (hexadecimal notation)

EPROM type (indicate the type used)



(1) Set "FF<sub>16</sub>" in the shaded area.

**M37212M4/M8-XXXSP, M37212M6-XXXSP/FP  
M37212EFSP/FP**

SINGLE-CHIP 8-BIT CMOS MICROCOMPUTER for VOLTAGE SYNTHESIZER  
with ON-SCREEN DISPLAY CONTROLLER

GZZ-SH55-24B < 91A0 >

**740 FAMILY MASK ROM CONFIRMATION FORM  
SINGLE-CHIP MICROCOMPUTER M37212M6-XXXSP/FP  
MITSUBISHI ELECTRIC**

(2) Write the ASCII codes that indicate the product name of "M37212M6-" to addresses 0000<sub>16</sub> to 000F<sub>16</sub>.

Addresses 0000<sub>16</sub> to 000F<sub>16</sub> store the product name.  
ASCII codes 'M37212M6-' are listed on the right.  
The addresses and data are in hexadecimal notation.

Address		Address	
0000 <sub>16</sub>	'M' = 4D <sub>16</sub>	0008 <sub>16</sub>	'-' = 2D <sub>16</sub>
0001 <sub>16</sub>	'3' = 33 <sub>16</sub>	0009 <sub>16</sub>	FF <sub>16</sub>
0002 <sub>16</sub>	'7' = 37 <sub>16</sub>	000A <sub>16</sub>	FF <sub>16</sub>
0003 <sub>16</sub>	'2' = 32 <sub>16</sub>	000B <sub>16</sub>	FF <sub>16</sub>
0004 <sub>16</sub>	'1' = 31 <sub>16</sub>	000C <sub>16</sub>	FF <sub>16</sub>
0005 <sub>16</sub>	'2' = 32 <sub>16</sub>	000D <sub>16</sub>	FF <sub>16</sub>
0006 <sub>16</sub>	'M' = 4D <sub>16</sub>	000E <sub>16</sub>	FF <sub>16</sub>
0007 <sub>16</sub>	'6' = 36 <sub>16</sub>	000F <sub>16</sub>	FF <sub>16</sub>

**Note:** If the name of the product contained in the EPROMs does not match the name on the mask ROM confirmation form, the ROM processing is disabled. Please make sure the data is written correctly.

Ordering by floppy disk

We will produce masks based on the mask files generated by the mask file generating utility. We shall assume the responsibility for errors only if the mask ROM data on the products we produce differs from this mask file. Thus, extreme care must be taken to verify the mask file in the submitted floppy disk.

The submitted floppy disk must be 3.5-inch 2HD type and DOS/V format. And the number of the mask files must be 1 in one floppy disk.

File code 

--	--	--	--	--	--	--	--

 (hexadecimal notation)

Mask file name 

--	--	--	--	--	--	--	--

.MSK (equal or less than eight characters)

**\*2. Mark specification**

Mark specification must be submitted using the correct form for the type of package being ordered. Fill the appropriate mark specification form (52P4B for M37212M6-XXXSP , 80P6N for M37212M6-XXXFP) and attach to the mask ROM confirmation form.

**\*3. Comments**

# M37212M4/M8-XXXSP, M37212M6-XXXSP/FP M37212EFSP/FP

SINGLE-CHIP 8-BIT CMOS MICROCOMPUTER for VOLTAGE SYNTHESIZER  
with ON-SCREEN DISPLAY CONTROLLER

GZZ-SH55-24B < 91A0 >

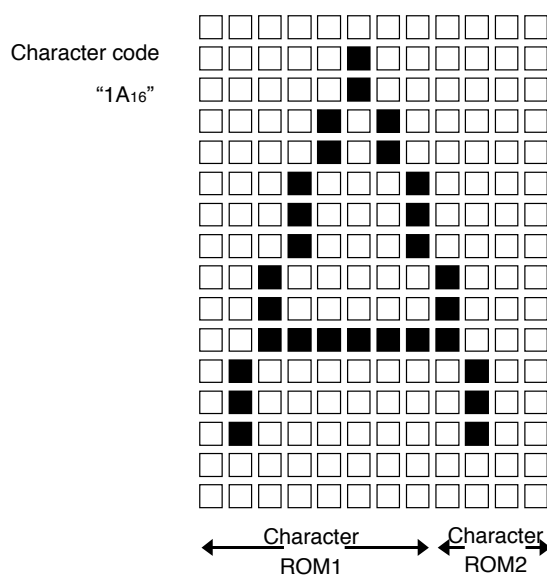
## 740 FAMILY MASK ROM CONFIRMATION FORM SINGLE-CHIP MICROCOMPUTER M37212M6-XXXSP/FP MITSUBISHI ELECTRIC

Inputting the character ROM

Input the character ROM data by dividing it into character ROM1 and character ROM2.

The structure of character ROM(divided into 12×16 dots font)

Example



(Note)

Write the character code "00<sub>16</sub>" to "7F<sub>16</sub>"  
to Addresses 10000<sub>16</sub> to 10FFF<sub>16</sub>.

Write the character code "80<sub>16</sub>" to "FF<sub>16</sub>"  
to Addresses 11000<sub>16</sub> to 11FFF<sub>16</sub>.

	b7	b6	b5	b4	b3	b2	b1	b0	
0									00 <sub>16</sub>
1									04 <sub>16</sub>
2									04 <sub>16</sub>
3									0A <sub>16</sub>
4									0A <sub>16</sub>
5									11 <sub>16</sub>
6									11 <sub>16</sub>
7									11 <sub>16</sub>
8									20 <sub>16</sub>
9									20 <sub>16</sub>
A									3F <sub>16</sub>
B									40 <sub>16</sub>
C									40 <sub>16</sub>
D									40 <sub>16</sub>
E									00 <sub>16</sub>
F									00 <sub>16</sub>

	b7	b6	b5	b4	b3	b2	b1	b0	
0									F0 <sub>16</sub>
1									F0 <sub>16</sub>
2									F0 <sub>16</sub>
3									F0 <sub>16</sub>
4									F0 <sub>16</sub>
5									F0 <sub>16</sub>
6									F0 <sub>16</sub>
7									F0 <sub>16</sub>
8									F8 <sub>16</sub>
9									F8 <sub>16</sub>
A									F8 <sub>16</sub>
B									F4 <sub>16</sub>
C									F4 <sub>16</sub>
D									F4 <sub>16</sub>
E									F0 <sub>16</sub>
F									F0 <sub>16</sub>

Example 101A0<sub>16</sub>  
to  
101AF<sub>16</sub>

Example 109A0<sub>16</sub>  
to  
109AF<sub>16</sub>

(3/3)

**M37212M4/M8-XXXSP, M37212M6-XXXSP/FP  
M37212EFSP/FP**

SINGLE-CHIP 8-BIT CMOS MICROCOMPUTER for VOLTAGE SYNTHESIZER  
with ON-SCREEN DISPLAY CONTROLLER

GZZ-SH55-42B < 91A0 >

Mask ROM number	
-----------------	--

**740 FAMILY MASK ROM CONFIRMATION FORM  
SINGLE-CHIP MICROCOMPUTER M37212M8-XXXSP  
MITSUBISHI ELECTRIC**

Receipt	Date:	
	Section head signature	Supervisor signature

Note : Please fill in all items marked \*.

*	Customer	Company name	TEL ( )	Issuance signature	Submitted by	Supervisor
		Date issued	Date :			

**\*1. Confirmation**

Three EPROMs are required for each pattern if this order is performed by EPROMs.  
One floppy disk is required for each pattern if this order is performed by a floppy disk.

Ordering by EPROMs

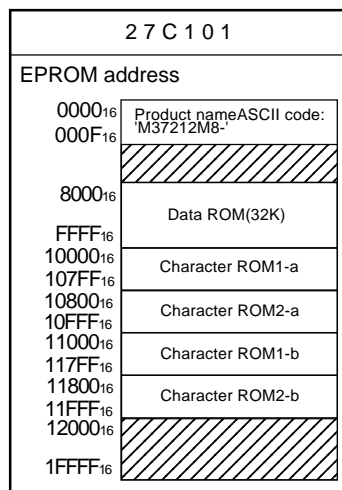
If at least two of the three sets of EPROMs submitted contain identical data, we will produce masks based on this data. We shall assume the responsibility for errors only if the mask ROM data on the products we produce differs from this data. Thus, extreme care must be taken to verify the data in the submitted EPROMs.

Checksum code for entire EPROM 

--	--	--	--

 (hexadecimal notation)

EPROM type (indicate the type used)



(1) Set "FF<sub>16</sub>" in the shaded area.



**M37212M4/M8-XXXSP, M37212M6-XXXSP/FP  
M37212EFSP/FP**

SINGLE-CHIP 8-BIT CMOS MICROCOMPUTER for VOLTAGE SYNTHESIZER  
with ON-SCREEN DISPLAY CONTROLLER

GZZ-SH55-42B < 91A0 >

**740 FAMILY MASK ROM CONFIRMATION FORM  
SINGLE-CHIP MICROCOMPUTER M37212M8-XXXSP**

(2) Write the ASCII codes that indicate the product name of "M37212M8-" to addresses 0000<sub>16</sub> to 000F<sub>16</sub>.

Addresses 0000<sub>16</sub> to 000F<sub>16</sub> store the product name.  
ASCII codes 'M37212M8-' are listed on the right.  
The addresses and data are in hexadecimal notation.

Address		Address	
0000 <sub>16</sub>	'M' = 4D <sub>16</sub>	0008 <sub>16</sub>	'-' = 2D <sub>16</sub>
0001 <sub>16</sub>	'3' = 33 <sub>16</sub>	0009 <sub>16</sub>	FF <sub>16</sub>
0002 <sub>16</sub>	'7' = 37 <sub>16</sub>	000A <sub>16</sub>	FF <sub>16</sub>
0003 <sub>16</sub>	'2' = 32 <sub>16</sub>	000B <sub>16</sub>	FF <sub>16</sub>
0004 <sub>16</sub>	'1' = 31 <sub>16</sub>	000C <sub>16</sub>	FF <sub>16</sub>
0005 <sub>16</sub>	'2' = 32 <sub>16</sub>	000D <sub>16</sub>	FF <sub>16</sub>
0006 <sub>16</sub>	'M' = 4D <sub>16</sub>	000E <sub>16</sub>	FF <sub>16</sub>
0007 <sub>16</sub>	'8' = 38 <sub>16</sub>	000F <sub>16</sub>	FF <sub>16</sub>

**Note:** If the name of the product contained in the EPROMs does not match the name on the mask ROM confirmation form, the ROM processing is disabled. Please make sure the data is written correctly.

Ordering by floppy disk

We will produce masks based on the mask files generated by the mask file generating utility. We shall assume the responsibility for errors only if the mask ROM data on the products we produce differs from this mask file. Thus, extreme care must be taken to verify the mask file in the submitted floppy disk.

The submitted floppy disk must be 3.5-inch 2HD type and DOS/V format. And the number of the mask files must be 1 in one floppy disk.

File code 

--	--	--	--	--	--	--	--

 (hexadecimal notation)

Mask file name 

--	--	--	--	--	--	--	--

 .MSK (equal or less than eight characters)

**\*2. Mark specification**

Mark specification must be submitted using the correct form for the type of package being ordered. Fill the appropriate mark specification form (52P4B for M37212M8-XXXSP) and attach to the mask ROM confirmation form.

**\*3. Comments**

# M37212M4/M8-XXXSP, M37212M6-XXXSP/FP M37212EFSP/FP

SINGLE-CHIP 8-BIT CMOS MICROCOMPUTER for VOLTAGE SYNTHESIZER  
with ON-SCREEN DISPLAY CONTROLLER

GZZ-SH55-42B < 91A0 >

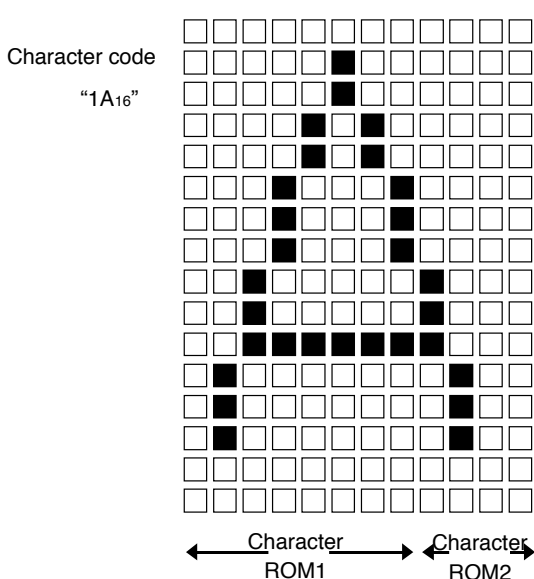
## 740 FAMILY MASK ROM CONFIRMATION FORM SINGLE-CHIP MICROCOMPUTER M37212M8-XXXSP MITSUBISHI ELECTRIC

### Inputting the character ROM

Input the character ROM data by dividing it into character ROM1 and character ROM2.

The structure of character ROM (divided into 12 X 16 dots font)

Example



(Note)

Write the character code "00<sub>16</sub>" to "7F<sub>16</sub>"  
to addresses 10000<sub>16</sub> to 10FFF<sub>16</sub>.

Write the character code "80<sub>16</sub>" to "FF<sub>16</sub>"  
to addresses 11000<sub>16</sub> to 11FFF<sub>16</sub>.

	b7	b6	b5	b4	b3	b2	b1	b0	
0									00 <sub>16</sub>
1							1		04 <sub>16</sub>
2							1		04 <sub>16</sub>
3						1	1		0A <sub>16</sub>
4						1	1		0A <sub>16</sub>
5					1			1	11 <sub>16</sub>
6					1			1	11 <sub>16</sub>
7					1			1	11 <sub>16</sub>
8				1					20 <sub>16</sub>
9				1					20 <sub>16</sub>
A				1	1	1	1	1	3F <sub>16</sub>
B				1					40 <sub>16</sub>
C				1					40 <sub>16</sub>
D				1					40 <sub>16</sub>
E									00 <sub>16</sub>
F									00 <sub>16</sub>

	b7	b6	b5	b4	b3	b2	b1	b0	
0									F0 <sub>16</sub>
1									F0 <sub>16</sub>
2									F0 <sub>16</sub>
3									F0 <sub>16</sub>
4									F0 <sub>16</sub>
5									F0 <sub>16</sub>
6									F0 <sub>16</sub>
7									F0 <sub>16</sub>
8					1				F8 <sub>16</sub>
9					1				F8 <sub>16</sub>
A					1				F8 <sub>16</sub>
B					1				F4 <sub>16</sub>
C					1				F4 <sub>16</sub>
D					1				F4 <sub>16</sub>
E									F0 <sub>16</sub>
F									F0 <sub>16</sub>

Example 101A0<sub>16</sub>  
to  
101AF<sub>16</sub>

(3/3)

Example 109A0<sub>16</sub>  
to  
109AF<sub>16</sub>

# M37212M4/M8-XXXSP, M37212M6-XXXSP/FP M37212EFSP/FP

SINGLE-CHIP 8-BIT CMOS MICROCOMPUTER for VOLTAGE SYNTHESIZER  
with ON-SCREEN DISPLAY CONTROLLER

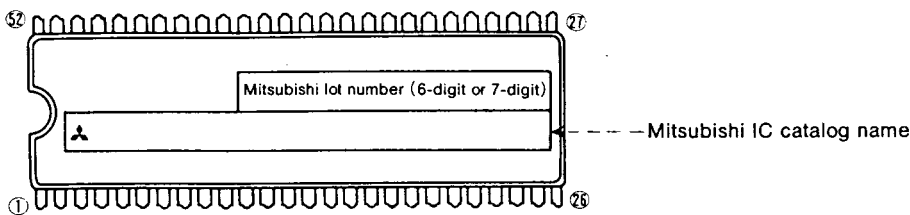
## 18. MARK SPECIFICATION FORM

### 52P4B (52-PIN SHRINK DIP) MARK SPECIFICATION FORM

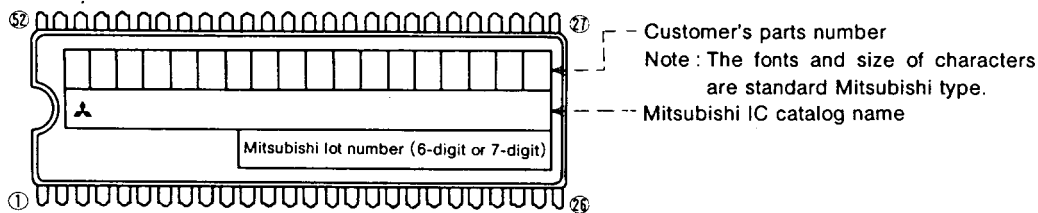
Mitsubishi IC catalog name

Please choose one of the marking types below (A, B, C), and enter the Mitsubishi IC catalog name and the special mark (if needed).

#### A. Standard Mitsubishi Mark



#### B. Customer's Parts Number + Mitsubishi Catalog Name



Note1: The mark field should be written right aligned.

2: The fonts and size of characters are standard Mitsubishi type.

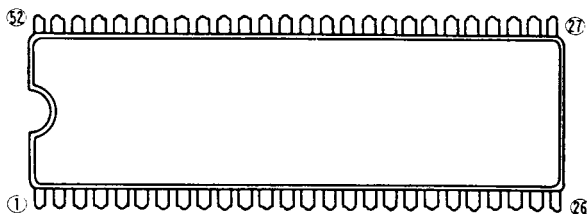
3: Customer's parts number can be up to 18 characters:

Only 0~9, A~Z, +, -, /, (, ), &, ©, . (period), and , (comma) are usable.

4: If the Mitsubishi logo is not required, check the box on the right.

Mitsubishi logo is not required

#### C. Special Mark Required



Note1: If the special mark is to be printed, indicate the desired layout of the mark in the upper figure. The layout will be duplicated as close as possible. Mitsubishi lot number (6-digit or 7-digit) and mask ROM number (3-digit) are always marked.

2: If the customer's trade mark logo must be used in the special mark, check the box below. Please submit a clean original of the logo.

For the new special character fonts a clean font original (ideally logo drawing) must be submitted.

Special logo required

The standard Mitsubishi font is used for all characters except for a logo.

# M37212M4/M8-XXXSP, M37212M6-XXXSP/FP M37212EFSP/FP

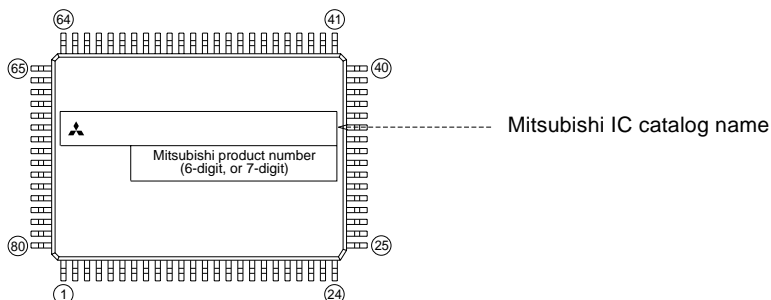
SINGLE-CHIP 8-BIT CMOS MICROCOMPUTER for VOLTAGE SYNTHESIZER  
with ON-SCREEN DISPLAY CONTROLLER

## 80P6N (80-PIN QFP) MARK SPECIFICATION FORM

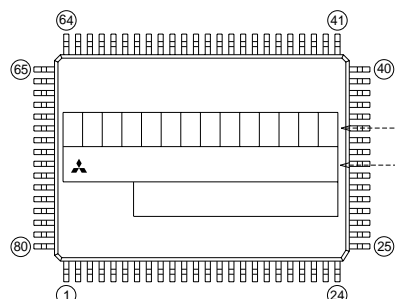
Mitsubishi IC catalog name

Please choose one of the marking types below (A, B, C), and enter the Mitsubishi IC catalog name and the special mark (if needed).

### A. Standard Mitsubishi Mark



### B. Customer's Parts Number + Mitsubishi IC Catalog Name



Customer's Parts Number

Note : The fonts and size of characters are standard Mitsubishi type.

Mitsubishi IC catalog name

Notes 1 : The mark field should be written right aligned.

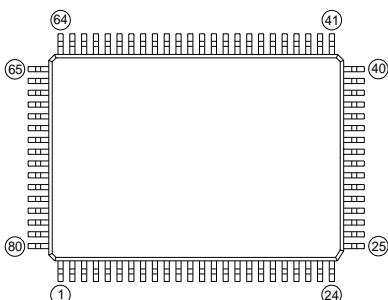
2 : The fonts and size of characters are standard Mitsubishi type.

3 : Customer's parts number can be up to 14 alphanumeric characters for capital letters, hyphens, commas, periods and so on.

4 : If the Mitsubishi logo is not required, check the box below.

Mitsubishi logo is not required

### C. Special Mark Required



Notes1 : If special mark is to be printed, indicate the desired layout of the mark in the left figure. The layout will be duplicated technically as close as possible.

Mitsubishi product number (6-digit, or 7-digit) and Mask ROM number (3-digit) are always marked for sorting the products.

2 : If special character fonts (e.g., customer's trade mark logo) must be used in Special Mark, check the box below.

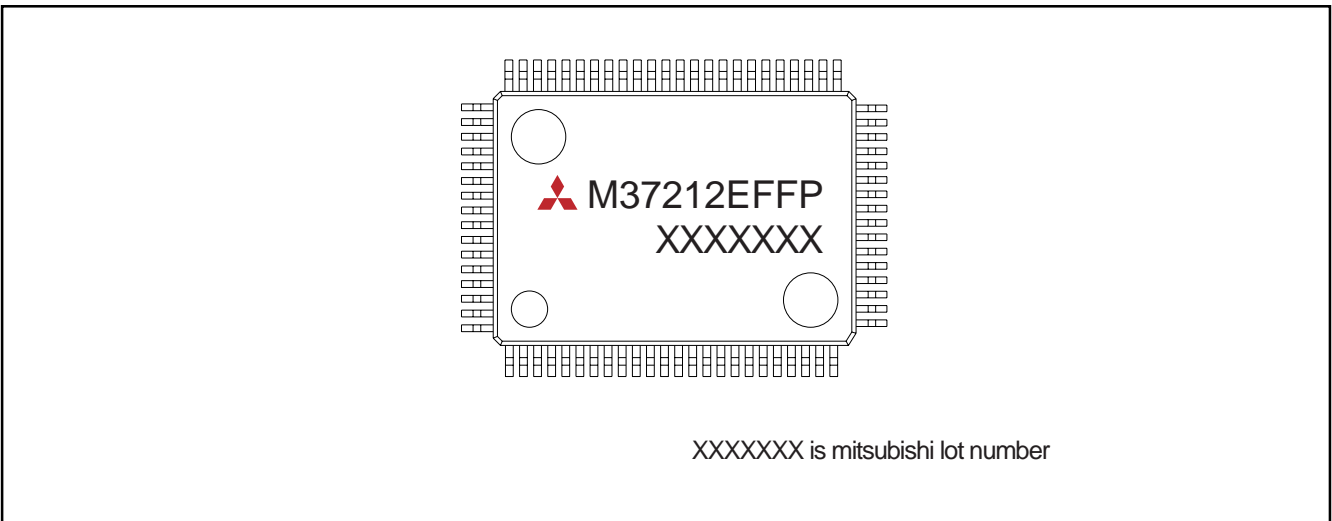
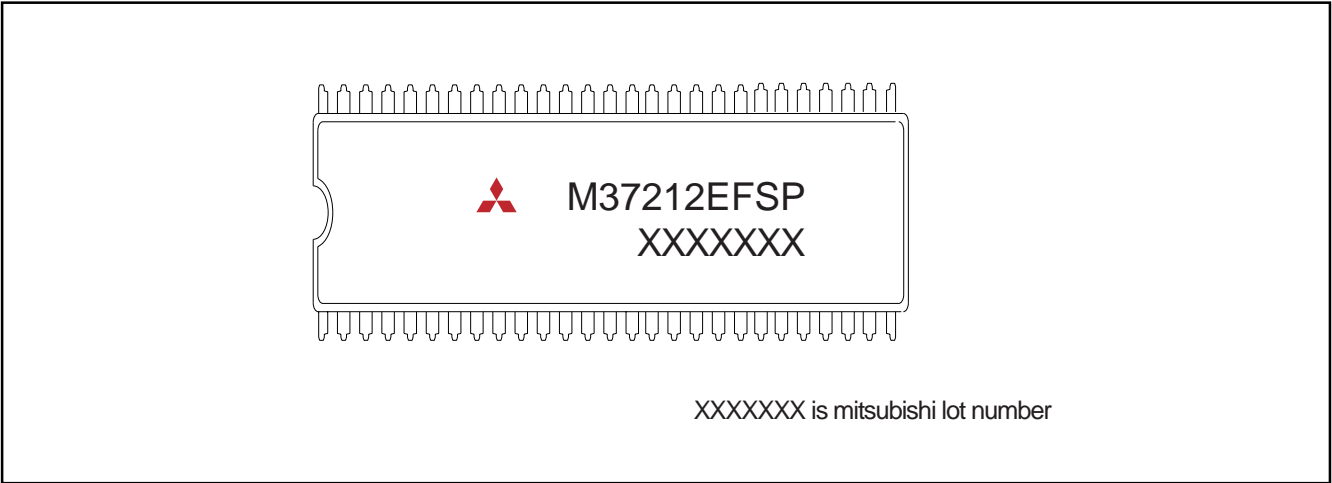
For the new special character fonts, a clean font original (ideally logo drawing) must be submitted.

Special character fonts required

# M37212M4/M8-XXXSP, M37212M6-XXXSP/FP M37212EFSP/FP

SINGLE-CHIP 8-BIT CMOS MICROCOMPUTER for VOLTAGE SYNTHESIZER  
with ON-SCREEN DISPLAY CONTROLLER

## 19. ONE TIME PROM VERSION M37212EFSP/FP MARKING

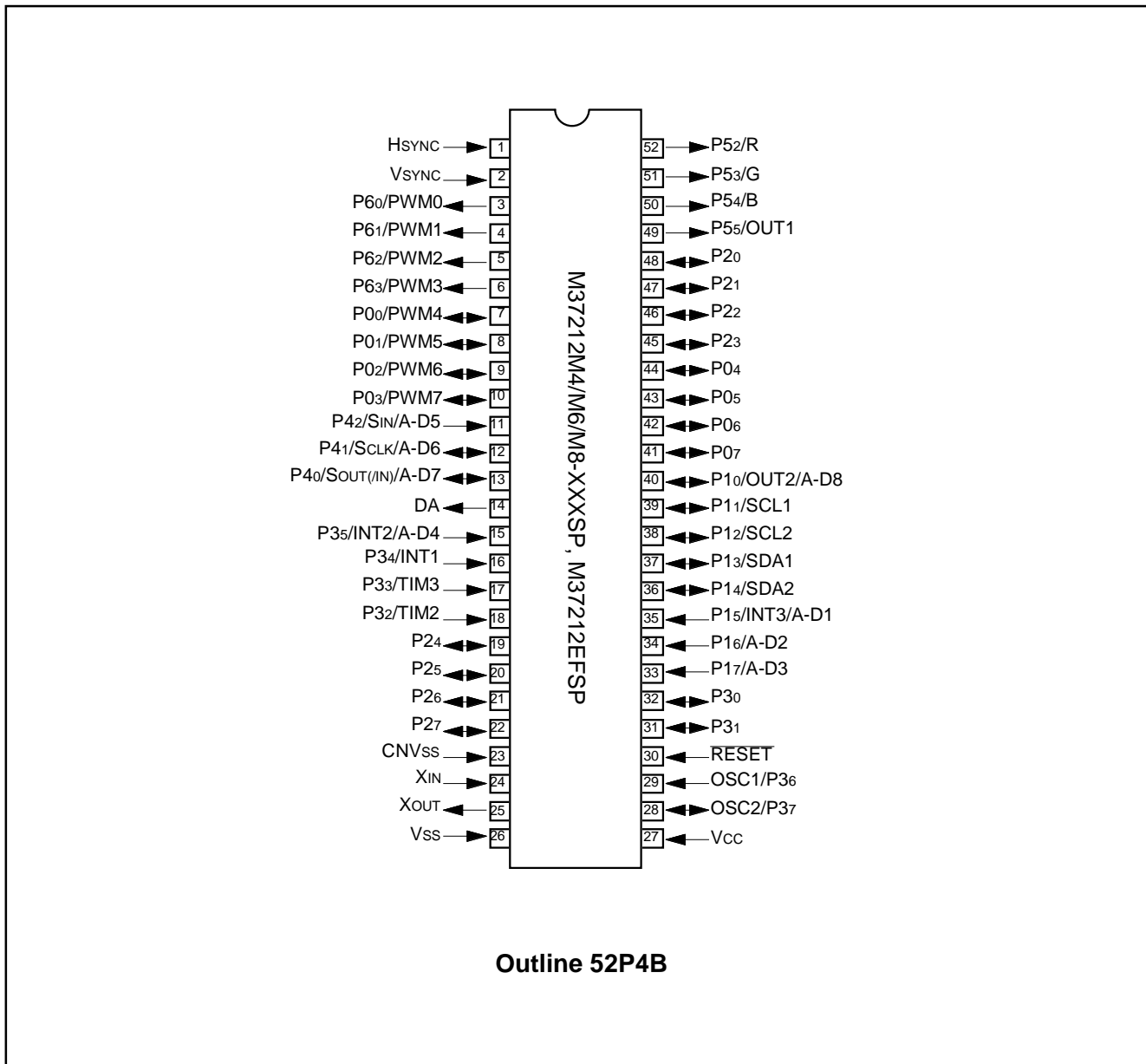


# M37212M4/M8-XXXSP, M37212M6-XXXSP/FP M37212EFSP/FP

SINGLE-CHIP 8-BIT CMOS MICROCOMPUTER for VOLTAGE SYNTHESIZER  
with ON-SCREEN DISPLAY CONTROLLER

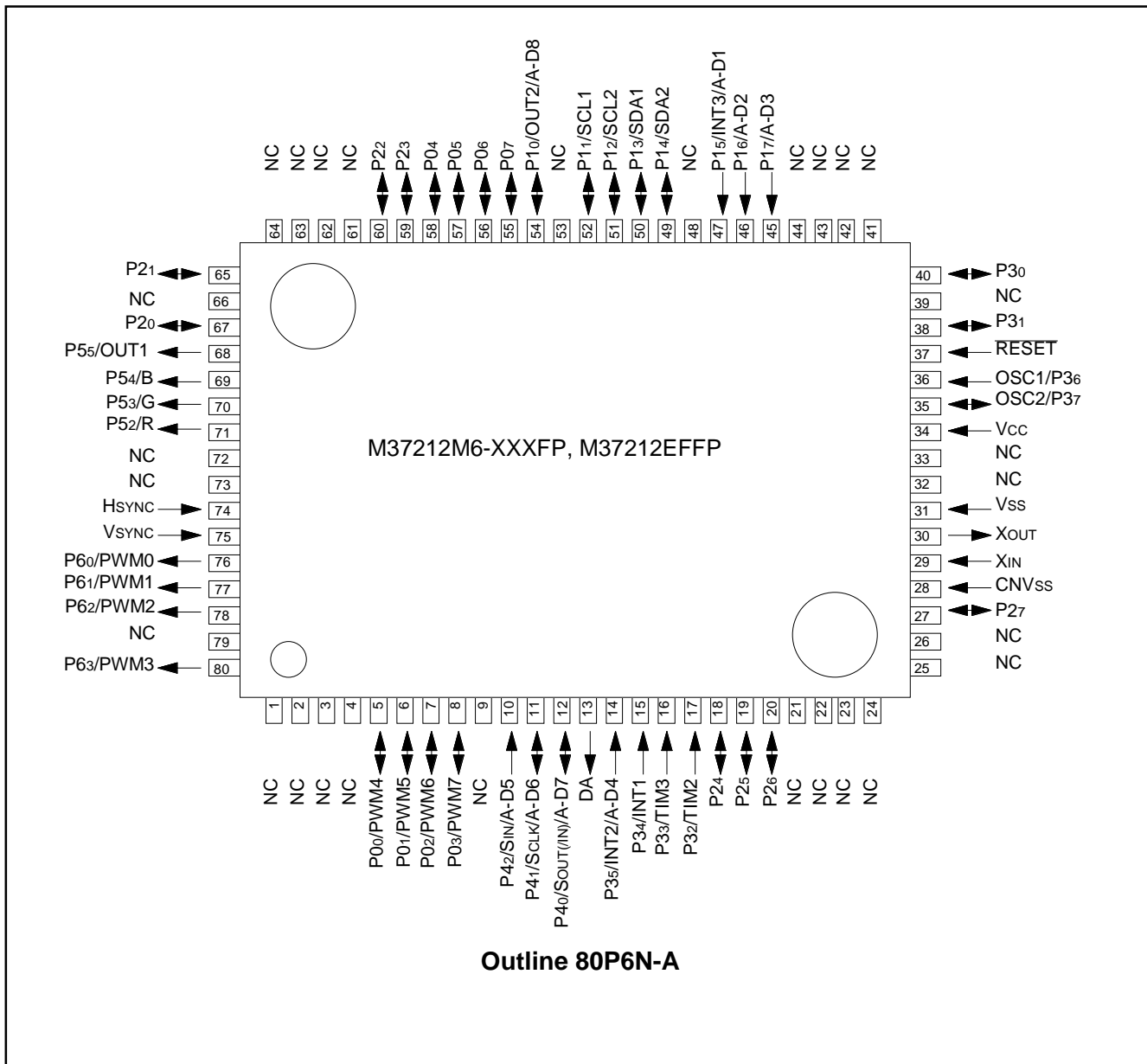
## 20. APPENDIX

### Pin Configuration (TOP VIEW)



# M37212M4/M8-XXXSP, M37212M6-XXXSP/FP M37212EFSP/FP

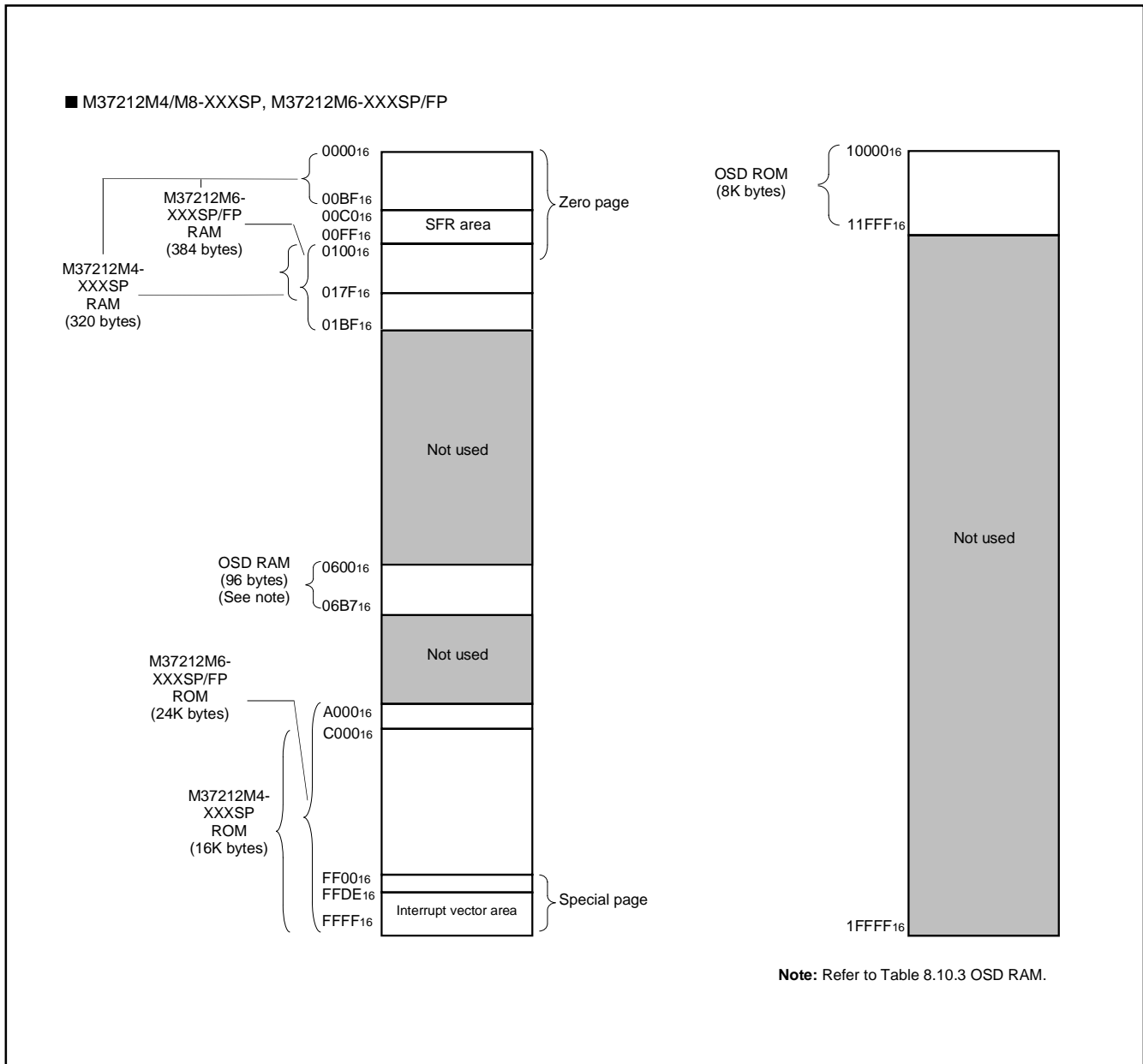
SINGLE-CHIP 8-BIT CMOS MICROCOMPUTER for VOLTAGE SYNTHESIZER  
with ON-SCREEN DISPLAY CONTROLLER



# M37212M4/M8-XXXSP, M37212M6-XXXSP/FP M37212EFSP/FP

SINGLE-CHIP 8-BIT CMOS MICROCOMPUTER for VOLTAGE SYNTHESIZER  
with ON-SCREEN DISPLAY CONTROLLER

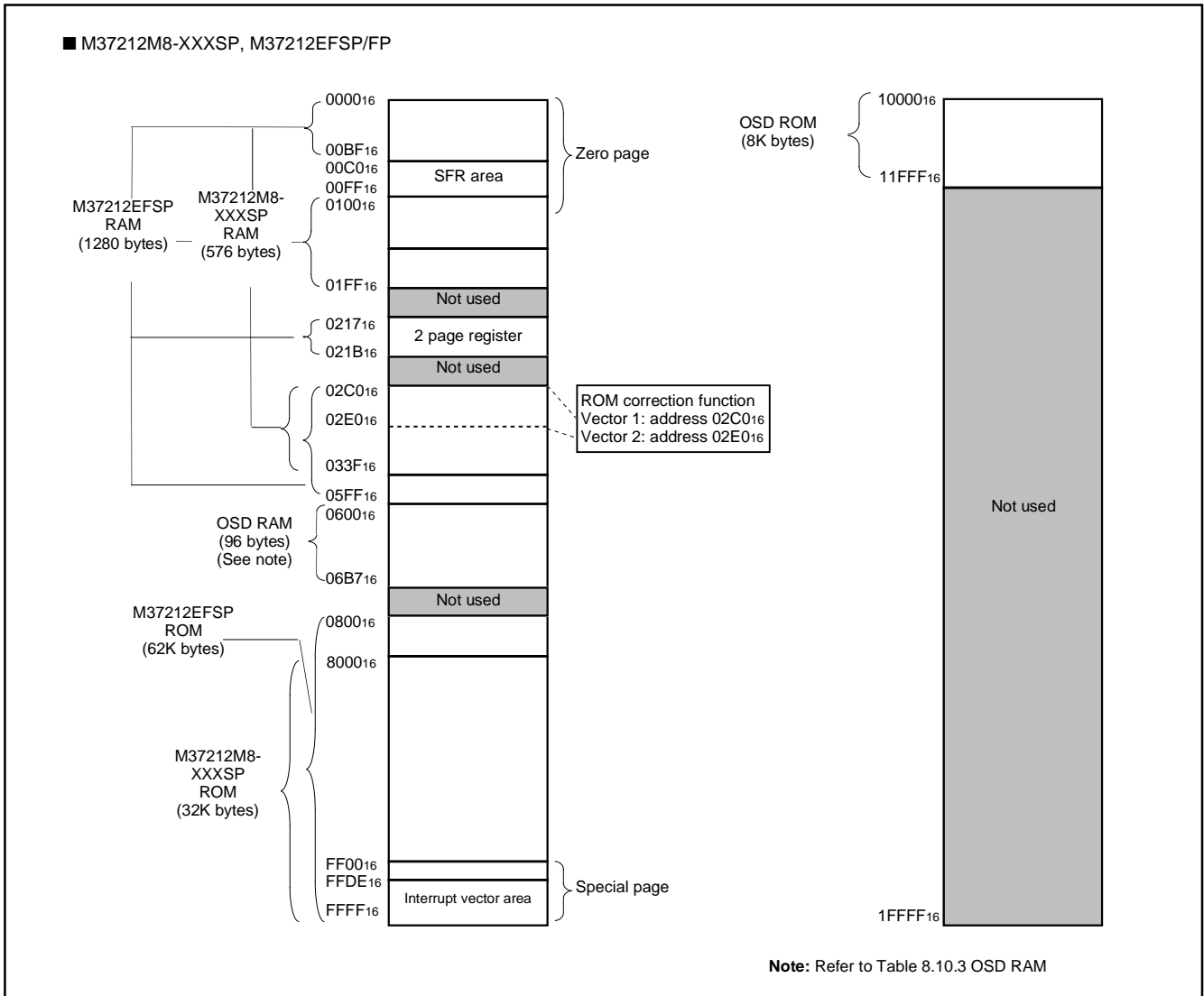
## Memory Map





# M37212M4/M8-XXXSP, M37212M6-XXXSP/FP M37212EFSP/FP

SINGLE-CHIP 8-BIT CMOS MICROCOMPUTER for VOLTAGE SYNTHESIZER  
with ON-SCREEN DISPLAY CONTROLLER



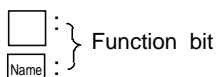
# M37212M4/M8-XXXSP, M37212M6-XXXSP/FP M37212EFSP/FP

SINGLE-CHIP 8-BIT CMOS MICROCOMPUTER for VOLTAGE SYNTHESIZER  
with ON-SCREEN DISPLAY CONTROLLER

## Memory Map of Special Function Register (SFR)

### ■ SFR area (addresses C0<sub>16</sub> to DF<sub>16</sub>)

Bit allocation



: No function bit

: Fix to this bit to "0"  
(do not write to "1")

: Fix to this bit to "1"  
(do not write to "0")

State immediately after reset

: "0" immediately after reset

: "1" immediately after reset

: Indeterminate immediately after reset

Address	Register	Bit allocation								State immediately after reset							
		b7							b0	b7							b0
C0 <sub>16</sub>	Port P0 (P0)																?
C1 <sub>16</sub>	Port P0 direction register (D0)																00 <sub>16</sub>
C2 <sub>16</sub>	Port P1 (P1)																?
C3 <sub>16</sub>	Port P1 direction register (D1)																00 <sub>16</sub>
C4 <sub>16</sub>	Port P2 (P2)																?
C5 <sub>16</sub>	Port P2 direction register (D2)																00 <sub>16</sub>
C6 <sub>16</sub>	Port P3 (P3)																?
C7 <sub>16</sub>	Port P3 direction register (D3)								P31D P30D								00 <sub>16</sub>
C8 <sub>16</sub>	Port P4 (P4)								P41 P40	0	0	0	0	0	?	?	?
C9 <sub>16</sub>	Port P4 direction register (D4)								P41D P40D	0	0	0	0	0	?	?	?
CA <sub>16</sub>	Port P5 (P5)			P55	P54	P53	P52			0	0	?	?	?	?	0	0
CB <sub>16</sub>	Port P5 direction register (D5)			P55 SEL	P54 SEL	P53 SEL	P52 SEL	0	0								00 <sub>16</sub>
CC <sub>16</sub>	Port P6 (P6)							P63 P62	P61 P60								0F <sub>16</sub>
CD <sub>16</sub>						1	1	1	1								0F <sub>16</sub>
CE <sub>16</sub>	DA-H register (DA-H)																?
CF <sub>16</sub>	DA-L register (DA-L)									0	0	?	?	?	?	?	?
D0 <sub>16</sub>	PWM0 register (PWM0)																?
D1 <sub>16</sub>	PWM1 register (PWM1)																?
D2 <sub>16</sub>	PWM2 register (PWM2)																?
D3 <sub>16</sub>	PWM3 register (PWM3)																?
D4 <sub>16</sub>	PWM4 register (PWM4)																?
D5 <sub>16</sub>	PWM output control register 1 (PW)	PW7	PW6	PW5	PW4	PW3	PW2	PW1	PW0								00 <sub>16</sub>
D6 <sub>16</sub>	PWM output control register 2 (PN)				PN4	PN3	PN2	PN1	PN0								00 <sub>16</sub>
D7 <sub>16</sub>	I <sup>2</sup> C data shift register (S0)	D7	D6	D5	D4	D3	D2	D1	D0								?
D8 <sub>16</sub>	I <sup>2</sup> C address register (S0D)	SAD6	SAD5	SAD4	SAD3	SAD2	SAD1	SAD0	RBW								00 <sub>16</sub>
D9 <sub>16</sub>	I <sup>2</sup> C status register (S1)	MST	TRX	BB	PIN	AL	AAS	ADO	LRB	0	0	0	1	0	0	0	?
DA <sub>16</sub>	I <sup>2</sup> C control register (S1D)	BSEL1	BSEL0	10BIT SAD	ALS	ESO	BC2	BC1	BC0								00 <sub>16</sub>
DB <sub>16</sub>	I <sup>2</sup> C clock control register (S2)	ACK BIT	FAST MODE	CCR4	CCR3	CCR2	CCR1	CCR0									00 <sub>16</sub>
DC <sub>16</sub>	Serial I/O mode register (SM)		SM6	SM5	0	SM3	SM2	SM1	SM0								00 <sub>16</sub>
DD <sub>16</sub>	Serial I/O register (SIO)																?
DE <sub>16</sub>																	?
DF <sub>16</sub>																	?

# M37212M4/M8-XXXSP, M37212M6-XXXSP/FP M37212EFSP/FP

SINGLE-CHIP 8-BIT CMOS MICROCOMPUTER for VOLTAGE SYNTHESIZER  
with ON-SCREEN DISPLAY CONTROLLER

## ■ SFR area (addresses E0<sub>16</sub> to FF<sub>16</sub>)

### Bit allocation

: Function bit  
Name :

: No function bit

0 : Fix to this bit to "0"  
(do not write to "1")

1 : Fix to this bit to "1"  
(do not write to "0")

### State immediately after reset

0 : "0" immediately after reset

1 : "1" immediately after reset

? : Indeterminate immediately after reset

Address	Register	Bit allocation								State immediately after reset								
		b7				b0				b7				b0				
E0 <sub>16</sub>	Horizontal position register (HR)			HR5	HR4	HR3	HR2	HR1	HR0	00 <sub>16</sub>								
E1 <sub>16</sub>	Vertical position register 1 (CV1)		CV16	CV15	CV14	CV13	CV12	CV11	CV10	0	?	?	?	?	?	?	?	?
E2 <sub>16</sub>	Vertical position register 2 (CV2)		CV26	CV25	CV24	CV23	CV22	CV21	CV20	0	?	?	?	?	?	?	?	?
E3 <sub>16</sub>										00 <sub>16</sub>								
E4 <sub>16</sub>	Character size register (CS)					CS21	CS20	CS11	CS10	0	0	0	0	?	?	?	?	?
E5 <sub>16</sub>	Border selection register (MD)						MD20		MD10	0	0	0	0	0	0	?	0	?
E6 <sub>16</sub>	Color register 0 (CO0)	CO07	CO06	CO05	CO04	CO03	CO02	CO01		00 <sub>16</sub>								
E7 <sub>16</sub>	Color register 1 (CO1)	CO17	CO16	CO15	CO14	CO13	CO12	CO11		00 <sub>16</sub>								
E8 <sub>16</sub>	Color register 2 (CO2)	CO27	CO26	CO25	CO24	CO23	CO22	CO21		00 <sub>16</sub>								
E9 <sub>16</sub>	Color register 3 (CO3)	CO37	CO36	CO35	CO34	CO33	CO32	CO31		00 <sub>16</sub>								
EA <sub>16</sub>	CRT control register (CC)	CC7					CC2	CC1	CC0	00 <sub>16</sub>								
EB <sub>16</sub>										00 <sub>16</sub>								
EC <sub>16</sub>	CRT port control register (CRTP)	OP7	OP6	OP5	OUT1	OUT2	R/G/B	VSYC	HSYC	00 <sub>16</sub>								
ED <sub>16</sub>	CRT clock selection register (CK)	0	0	0	0	0	0	CK1	CK0	00 <sub>16</sub>								
EE <sub>16</sub>	A-D mode register (ADM)				ADM4		ADM2	ADM1	ADM0	0	0	0	?	0	0	0	0	0
EF <sub>16</sub>	A-D control register (ADC)			ADC5	ADC4	ADC3	ADC2	ADC1	ADC0	00 <sub>16</sub>								
F0 <sub>16</sub>	Timer 1 (T1)									FF <sub>16</sub>								
F1 <sub>16</sub>	Timer 2 (T2)									07 <sub>16</sub>								
F2 <sub>16</sub>	Timer 3 (T3)									FF <sub>16</sub>								
F3 <sub>16</sub>	Timer 4 (T4)									07 <sub>16</sub>								
F4 <sub>16</sub>	Timer 12 mode register (T12M)			0	T12M4	T12M3	T12M2	T12M1	T12M0	00 <sub>16</sub>								
F5 <sub>16</sub>	Timer 34 mode register (T34M)			T34M5	T34M4	T34M3	T34M2	T34M1	T34M0	00 <sub>16</sub>								
F6 <sub>16</sub>	PWM5 register (PWM5)									?								
F7 <sub>16</sub>	PWM6 register (PWM6)									?								
F8 <sub>16</sub>	PWM7 register (PWM7)									?								
F9 <sub>16</sub>	Interrupt input polarity register (RE)	0		RE5	RE4	RE3	0			00 <sub>16</sub>								
FA <sub>16</sub>										?								
FB <sub>16</sub>	CPU mode register (CM)	1	1	1	1	1	CM2	0	0	FC <sub>16</sub>								
FC <sub>16</sub>	Interrupt request register 1 (IREQ1)	IT3R	IICR	VSCR	OSDR	TM4R	TM3R	TM2R	TM1R	00 <sub>16</sub>								
FD <sub>16</sub>	Interrupt request register 2 (IREQ2)	0			MSR		S1R	IT2R	IT1R	00 <sub>16</sub>								
FE <sub>16</sub>	Interrupt control register 1 (ICON1)	IT3E	IICE	VSCC	OSDE	TM4E	TM3E	TM2E	TM1E	00 <sub>16</sub>								
FF <sub>16</sub>	Interrupt control register 2 (ICON2)		0	0	MSE	0	S1E	IT2E	IT1E	?	0	0	0	0	0	0	0	0

# M37212M4/M8-XXXSP, M37212M6-XXXSP/FP M37212EFSP/FP

SINGLE-CHIP 8-BIT CMOS MICROCOMPUTER for VOLTAGE SYNTHESIZER  
with ON-SCREEN DISPLAY CONTROLLER

## ■ 2 page register area (addresses 217<sub>16</sub> to 21B<sub>16</sub>)

### Bit allocation

- : } Function bit
- Name : }
- : No function bit
- 0 : Fix to this bit to "0"  
(do not write to "1")
- 1 : Fix to this bit to "1"  
(do not write to "0")

### State immediately after reset

- 0 : "0" immediately after reset
- 1 : "1" immediately after reset
- ? : Indeterminate immediately after reset

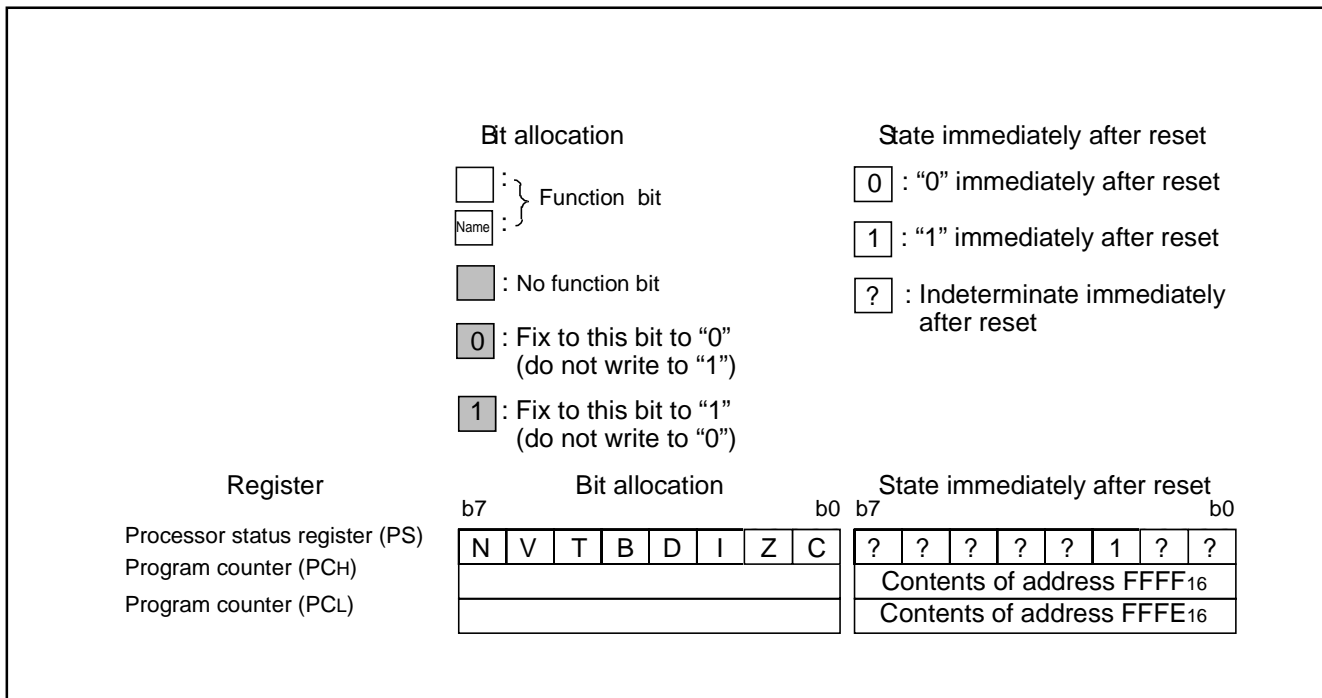
Address	Register	Bit allocation		State immediately after reset	
		b7	b0	b7	b0
217 <sub>16</sub>	ROM correction address 1 (high-order)			00 <sub>16</sub>	
218 <sub>16</sub>	ROM correction address 1 (low-order)			00 <sub>16</sub>	
219 <sub>16</sub>	ROM correction address 2 (high-order)			00 <sub>16</sub>	
21A <sub>16</sub>	ROM correction address 2 (low-order)			00 <sub>16</sub>	
21B <sub>16</sub>	ROM correction enable register (RCR)	<input checked="" type="checkbox"/>	<input checked="" type="checkbox"/>	RCR1	RCR0

**Note:** Only M37212M8-XXXSP and M37212EFSP/FP have 2 page register.

# M37212M4/M8-XXXSP, M37212M6-XXXSP/FP M37212EFSP/FP

SINGLE-CHIP 8-BIT CMOS MICROCOMPUTER for VOLTAGE SYNTHESIZER  
with ON-SCREEN DISPLAY CONTROLLER

## Internal State of Processor Status Register and Program Counter at Reset



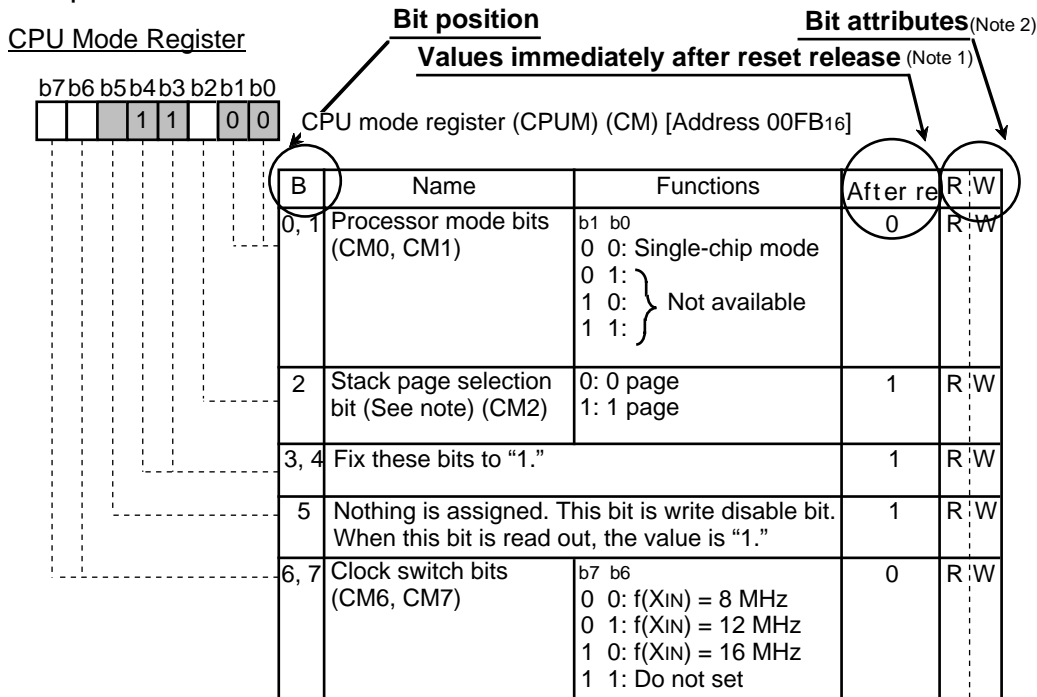
# M37212M4/M8-XXXSP, M37212M6-XXXSP/FP M37212EFSP/FP

SINGLE-CHIP 8-BIT CMOS MICROCOMPUTER for VOLTAGE SYNTHESIZER  
with ON-SCREEN DISPLAY CONTROLLER

## Structure of Register

The figure of each register structure describes its functions, contents at reset, and attributes as follows:

<Example>



: Bit in which nothing is assigned

**Notes 1:** Values immediately after reset release

- 0 ..... "0" after reset release
- 1 ..... "1" after reset release
- Indeterminate...Indeterminate after reset release

**2:** Bit attributes.....

The attributes of control register bits are classified into 3 types : read-only, write-only and read and write. In the figure, these attributes are represented as follows :

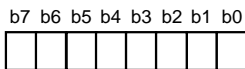
- |                     |  |
|---------------------|--|
| R.....Read          | W.....Write  |
| R.....Read enabled  | W.....Write enabled                                      |
| -.....Read disabled | -.....Write disabled                                     |
|                     | *....."0" can be set by software, but "1" cannot be set. |

# M37212M4/M8-XXXSP, M37212M6-XXXSP/FP M37212EFSP/FP

SINGLE-CHIP 8-BIT CMOS MICROCOMPUTER for VOLTAGE SYNTHESIZER  
with ON-SCREEN DISPLAY CONTROLLER

**Addresses 00C1<sub>16</sub>, 00C3<sub>16</sub>, 00C5<sub>16</sub>**

## Port Pi Direction Register

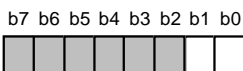


Port Pi direction register (Di) (i=0,1,2) [Addresses 00C1<sub>16</sub>, 00C3<sub>16</sub>, 00C5<sub>16</sub>]

B	Name	Functions	After reset	R	W
0	Port Pi direction register	0 : Port Pi <sub>0</sub> input mode 1 : Port Pi <sub>0</sub> output mode	0	R	W
1		0 : Port Pi <sub>1</sub> input mode 1 : Port Pi <sub>1</sub> output mode	0	R	W
2		0 : Port Pi <sub>2</sub> input mode 1 : Port Pi <sub>2</sub> output mode	0	R	W
3		0 : Port Pi <sub>3</sub> input mode 1 : Port Pi <sub>3</sub> output mode	0	R	W
4		0 : Port Pi <sub>4</sub> input mode 1 : Port Pi <sub>4</sub> output mode	0	R	W
5		0 : Port Pi <sub>5</sub> input mode 1 : Port Pi <sub>5</sub> output mode	0	R	W
6		0 : Port Pi <sub>6</sub> input mode 1 : Port Pi <sub>6</sub> output mode	0	R	W
7		0 : Port Pi <sub>7</sub> input mode 1 : Port Pi <sub>7</sub> output mode	0	R	W

**Address 00C7<sub>16</sub>**

## Port Pi Direction Register



Port Pi direction register (Di) (i = 3, 4) [Address 00C7<sub>16</sub>, 00C9<sub>16</sub>]

B	Name	Functions	After reset	R	W
0	Port Pi direction register	0 : Port Pi <sub>0</sub> input mode 1 : Port Pi <sub>0</sub> output mode	0	R	W
1		0 : Port Pi <sub>1</sub> input mode 1 : Port Pi <sub>1</sub> output mode	0	R	W
2 to 7	Nothing is assigned. These bits are write disable bits. When these bits are read out, the values are indeterminate.		indeterminate	R	—

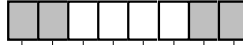
# M37212M4/M8-XXXSP, M37212M6-XXXSP/FP M37212EFSP/FP

SINGLE-CHIP 8-BIT CMOS MICROCOMPUTER for VOLTAGE SYNTHESIZER  
with ON-SCREEN DISPLAY CONTROLLER

**Address 00CB<sub>16</sub>**

## Port P5 Direction Register

b7 b6 b5 b4 b3 b2 b1 b0



Port P5 direction register (D5) [Address 00CB<sub>16</sub>]

b	Name	Functions	After reset	R	W
0, 1	Nothing is assigned. These bits are write disable bits. When these bits are read out, the values are "0."		0	R	—
2	Port P5 <sub>2</sub> output signal selection bit (P52SEL)	0 : R signal output 1 : Port P5 <sub>2</sub> output	0	R	W
3	Port P5 <sub>3</sub> output signal selection bit (P53SEL)	0 : G signal output 1 : Port P5 <sub>3</sub> output	0	R	W
4	Port P5 <sub>4</sub> output signal selection bit (P54SEL)	0 : B signal output 1 : Port P5 <sub>4</sub> output	0	R	W
5	Port P5 <sub>5</sub> output signal selection bit (P55SEL)	0 : OUT1 signal output 1 : Port P5 <sub>5</sub> output	0	R	W
6, 7	Nothing is assigned. These bits are write disable bits. When these bits are read out, the values are "0."		Indeterminate	R	—

**Address 00D5<sub>16</sub>**

## PWM Output Control Register 1

b7 b6 b5 b4 b3 b2 b1 b0



PWM output control register 1 (PW) [Address 00D5<sub>16</sub>]

B	Name	Functions	After reset	R	W
0	DA, PWM count source selection bit (PW0)	0 : Count source supply 1 : Count source stop	0	R	W
1	DA/PN4 selection bit (PW1)	0 : DA output 1 : PN4 output	0	R	W
2	P6 <sub>0</sub> /PWM0 output selection bit (PW2)	0: P6 <sub>0</sub> output 1: PWM0 output	0	R	W
3	P6 <sub>1</sub> /PWM1 output selection bit (PW3)	0: P6 <sub>1</sub> output 1: PWM1 output	0	R	W
4	P6 <sub>2</sub> /PWM2 output selection bit (PW4)	0: P6 <sub>2</sub> output 1: PWM2 output	0	R	W
5	P6 <sub>3</sub> /PWM3 output selection bit (PW5)	0: P6 <sub>3</sub> output 1: PWM3 output	0	R	W
6	P0 <sub>0</sub> /PWM4 output selection bit (PW6)	0: P0 <sub>0</sub> output 1: PWM4 output	0	R	W
7	P0 <sub>1</sub> /PWM5 output selection bit (PW7)	0: P0 <sub>1</sub> output 1: PWM5 output	0	R	W

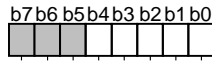


# M37212M4/M8-XXXSP, M37212M6-XXXSP/FP M37212EFSP/FP

SINGLE-CHIP 8-BIT CMOS MICROCOMPUTER for VOLTAGE SYNTHESIZER  
with ON-SCREEN DISPLAY CONTROLLER

**Address 00D6<sub>16</sub>**

### PWM Output Control Register 2

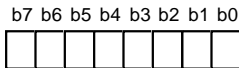


PWM output control register 2 (PN) [Address 00D6<sub>16</sub>]

B	Name	Functions	After reset	R	W
0	P0 <sub>2</sub> /PWM6 output selection bit (PN0)	0 : P0 <sub>2</sub> 1 : PWM6 output	0	R	W
1	P0 <sub>3</sub> /PWM7 output selection bit (PN1)	0 : P0 <sub>3</sub> 1 : PWM7 output	0	R	W
2	DA output polarity selection bit (PN2)	0 : Positive polarity 1 : Negative polarity	0	R	W
3	PWM output polarity selection bit (PN3)	0 : Positive polarity 1 : Negative polarity	0	R	W
4	DA general-purpose output bit (PN4)	0 : Output LOW 1 : Output HIGH	0	R	W
5 to 7	Nothing is assigned. These bits are write disable bits. When these bits are read out, the values are "0."		0	R	—

**Address 00D7<sub>16</sub>**

### I<sup>2</sup>C Data Shift Register



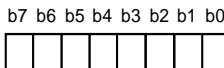
I<sup>2</sup>C data shift register (S0) [Address 00D7<sub>16</sub>]

B	Name	Functions	After reset	R	W
0 to 7	D0 to D7	This is an 8-bit shift register to store receive data and write transmit data.	Indeterminate	R	W

**Note:** To write data into the I<sup>2</sup>C data shift register after setting the MST bit to "0" (slave mode), keep an interval of 8 machine cycles or more.

**Address 00D8<sub>16</sub>**

### I<sup>2</sup>C Address Register



I<sup>2</sup>C address register (S0D) [Address 00D8<sub>16</sub>]

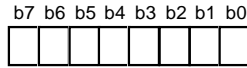
B	Name	Functions	After reset	R	W
0	Read/write bit (RBW)	<Only in 10-bit addressing (in slave) mode> The last significant bit of address data is compared. 0: Wait the first byte of slave address after START condition (read state) 1: Wait the first byte of slave address after RESTART condition (write state)	0	R	—
1 to 7	Slave address (SAD0 to SAD6)	<In both modes> The address data is compared.	0	R	W

**M37212M4/M8-XXXSP, M37212M6-XXXSP/FP  
M37212EFSP/FP**

SINGLE-CHIP 8-BIT CMOS MICROCOMPUTER for VOLTAGE SYNTHESIZER  
with ON-SCREEN DISPLAY CONTROLLER

**Address 00D9<sub>16</sub>**

I<sup>2</sup>C Status Register



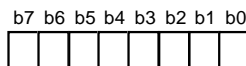
I<sup>2</sup>C status register (S1) [Address 00D9<sub>16</sub>]

B	Name	Functions	After reset	R	W
0	Last receive bit (LRB) (See note)	0 : Last bit = "0" 1 : Last bit = "1" (See note)	Indeterminate	R	—
1	General call detecting flag (AD0) (See note)	0 : No general call detected 1 : General call detected (See note)	0	R	—
2	Slave address comparison flag (AAS) (See note)	0 : Address mismatch 1 : Address match (See note)	0	R	—
3	Arbitration lost detecting flag (AL) (See note)	0 : Not detected 1 : Detected (See note)	0	R	—
4	I <sup>2</sup> C-BUS interface interrupt request bit (PIN)	0 : Interrupt request issued 1 : No interrupt request issued	1	R	W
5	Bus busy flag (BB)	0 : Bus free 1 : Bus busy	0	R	W
6, 7	Communication mode specification bits (TRX, MST)	b7 b6 0 0 : Slave receive mode 0 1 : Slave transmit mode 1 0 : Master receive mode 1 1 : Master transmit mode	0	R	W

**Note :** These bits and flags can be read out, but cannot be written.

**Address 00DA<sub>16</sub>**

I<sup>2</sup>C Control Register



I<sup>2</sup>C control register (S1D) [Address 00DA<sub>16</sub>]

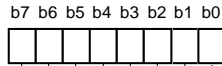
B	Name	Functions	After reset	R	W
0 to 2	Bit counter (Number of transmit/receive bits) (BC0 to BC2)	b2 b1 b0 0 0 0: 8 0 0 1: 7 0 1 0: 6 0 1 1: 5 1 0 0: 4 1 0 1: 3 1 1 0: 2 1 1 1: 1	0	R	W
3	I <sup>2</sup> C-BUS interface use enable bit (ESO)	0: Disabled 1: Enabled	0	R	W
4	Data format selection bit(ALS)	0: Addressing format 1: Free data format	0	R	W
5	Addressing format selection bit (10BIT SAD)	0: 7-bit addressing format 1: 10-bit addressing format	0	R	W
6, 7	Connection control bits between I <sup>2</sup> C-BUS interface and ports (BSEL0, BSEL1)	b7 b6 Connection port (See note) 0 0: None 0 1: SCL1, SDA1 1 0: SCL2, SDA2 1 1: SCL1, SDA1, SCL2, SDA2	0	R	W

# M37212M4/M8-XXXSP, M37212M6-XXXSP/FP M37212EFSP/FP

SINGLE-CHIP 8-BIT CMOS MICROCOMPUTER for VOLTAGE SYNTHESIZER  
with ON-SCREEN DISPLAY CONTROLLER

**Address 00DB<sub>16</sub>**

## I<sup>2</sup>C Clock Control Register



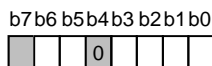
I<sup>2</sup>C clock control register (S2) [Address 00DB<sub>16</sub>]

B	Name	Functions	After reset	R:W		
0 to 4	SCL frequency control bits (CCR0 to CCR4)	Setup value of CCR4-CCR0	Standard clock mode	0	R:W	
		00 to 02	Setup disabled			Setup disabled
		03	Setup disabled			333
		04	Setup disabled			250
		05	100			400 (See note)
		06	83.3			166
		:	500/CCR value			1000/CCR value
		1D	17.2			34.5
		1E	16.6			33.3
		1F	16.1			32.3
(at $\phi = 4$ MHz, unit : kHz)						
5	SCL mode specification bit (FAST MODE)	0: Standard clock mode 1: High-speed clock mode	0	R:W		
6	ACK bit (ACK BIT)	0: ACK is returned. 1: ACK is not returned.	0	R:W		
7	ACK clock bit (ACK)	0: No ACK clock 1: ACK clock	0	R:W		

**Note:** At 400 kHz in the high-speed clock mode, the duty is as below.  
 "0" period : "1" period = 3 : 2  
 In the other cases, the duty is as below.  
 "0" period : "1" period = 1 : 1

**Address 00DC<sub>16</sub>**

## Serial I/O Mode Register



Serial I/O mode register (SM) [Address 00DC<sub>16</sub>]

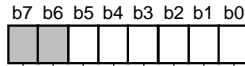
B	Name	Functions	After reset	R:W
0, 1	Internal synchronous clock selection bits (SM0, SM1)	b1 b0 0 0: f(X <sub>IN</sub> )/4 0 1: f(X <sub>IN</sub> )/16 1 0: f(X <sub>IN</sub> )/32 1 1: f(X <sub>IN</sub> )/64	0	R:W
2	Synchronous clock selection bit (SM2)	0: External clock 1: Internal clock	0	R:W
3	Serial I/O port selection bit (SM3)	0: P40, P41 1: SOUT(/IN), SCLK	0	R:W
4	Fix this bit to "0."		0	R:W
5	Transfer direction selection bit (SM5)	0: LSB first 1: MSB first	0	R:W
6	Serial input pin selection bit (SM6)	0: Input signal from SIN pin. 1: Input signal from SOUT pin.	0	R:W
7	Nothing is assigned. This bit is a write disable bit. When this bit is read out, the value is "0."		0	R:—

# M37212M4/M8-XXXSP, M37212M6-XXXSP/FP M37212EFSP/FP

SINGLE-CHIP 8-BIT CMOS MICROCOMPUTER for VOLTAGE SYNTHESIZER  
with ON-SCREEN DISPLAY CONTROLLER

## Address 00E0<sub>16</sub>

### Horizontal Position Register

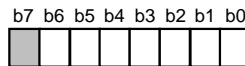


Horizontal position register (HR) [Address 00E0<sub>16</sub>]

B	Name	Functions	After reset	R	W
0 to 5	Horizontal display start positions (HR0 to HR5)	64 steps (00 <sub>16</sub> to 3F <sub>16</sub> )	0	R	W
6, 7	Nothing is assigned. These bits are write disable bits. When these bits are read out, the values are "0."		0	R	—

## Addresses 00E1<sub>16</sub> and 00E2<sub>16</sub>

### Vertical Position Register i

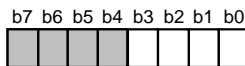


Vertical position register i (CVi) (i = 1 and 2) [Addresses 00E1<sub>16</sub>, 00E2<sub>16</sub>]

B	Name	Functions	After reset	R	W
0 to 6	Vertical display start positions (CVi : CVi0 to CVi6)	128 steps (00 <sub>16</sub> to 7F <sub>16</sub> )	Indeterminate	R	W
7	Nothing is assigned. This bit is a write disable bit. When this bit is read out, the value is "0."		0	R	—

## Address 00E4<sub>16</sub>

### Character Size Register



Character size register (CS) [Address 00E4<sub>16</sub>]

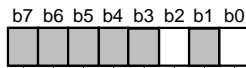
B	Name	Functions	After reset	R	W
0, 1	Character size of block 1 selection bits (CS10, CS11)	00 : Minimum size 01 : Medium size 10 : Large size 11 : Do not set.	Indeterminate	R	W
2, 3	Character size of block 2 selection bits (CS20, CS21)	00 : Minimum size 01 : Medium size 10 : Large size 11 : Do not set.	Indeterminate	R	W
4 to 7	Nothing is assigned. These bits are write disable bits. When these bits are read out, the values are "0."		0	R	—

# M37212M4/M8-XXXSP, M37212M6-XXXSP/FP M37212EFSP/FP

SINGLE-CHIP 8-BIT CMOS MICROCOMPUTER for VOLTAGE SYNTHESIZER  
with ON-SCREEN DISPLAY CONTROLLER

**Address 00E5<sub>16</sub>**

## Border Selection Register

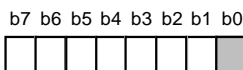


Border selection register (MD) [Address 00E5<sub>16</sub>]

B	Name	Functions	After reset	R	W
0	Block 1 OUT1 output border selection bit (MD10)	0 : Same output as R, G, B is output 1 : Border output	Indeterminate	R	W
1	Nothing is assigned. This bit is a write disable bit. When this bit is read out, the value is "0."		0	R	—
2	Block 2 OUT1 output border selection bit (MD20)	0 : Same output as R, G, B is output 1 : Border output	Indeterminate	R	W
3 to 7	Nothing is assigned. These bits are write disable bits. When these bits are read out, the values are "0."		0	R	—

**Addresses 00E6<sub>16</sub> to 00E9<sub>16</sub>**

## Color Register i



Color register i (COi) (i = 0 to 3) [Addresses 00E6<sub>16</sub> to 00E9<sub>16</sub>]

B	Name @	Functions	After reset	R	W
0	Nothing is assigned. This bit is a write disable bit. When this bit is read out, the value is "0."		0	R	—
1	B signal output selection bit (COi1)	0: No character is output 1: Character is output	Indeterminate	R	W
2	G signal output selection bit (COi2)	0: No character is output 1: Character is output	Indeterminate	R	W
3	R signal output selection bit (COi3)	0: No character is output 1: Character is output	Indeterminate	R	W
4	B signal output (background) selection bit (COi4) (See note 1)	0: No background color is output 1: Background color is output	Indeterminate	R	W
5	OUT1 signal output control bit (COi5) (See notes 1, 2)	0: Character is output 1: Blank is output	Indeterminate	R	W
6	G signal output (background) selection bit (COi6) (See note 1)	0: No background color is output 1: Background color is output	Indeterminate	R	W
7	R signal output (background) selection bit (COi7) (See note 2)	0: No background color is output 1: Background color is output	Indeterminate	R	W

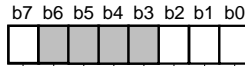
**Notes** 1: When bit 5 = "0" and bit 4 = "1," there is output same as a character or border output from pin OUT1.  
Do not set bit 5 = "0" and bit 4 = "0."  
2: When only bit 7 = "1" and bit 5 "0," there is output from pin OUT2.

# M37212M4/M8-XXXSP, M37212M6-XXXSP/FP M37212EFSP/FP

SINGLE-CHIP 8-BIT CMOS MICROCOMPUTER for VOLTAGE SYNTHESIZER  
with ON-SCREEN DISPLAY CONTROLLER

**Address 00EA<sub>16</sub>**

## CRT Control Register



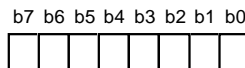
CRT control register (CC) [Address 00EA<sub>16</sub>]

B	Name	Functions	After reset	R : W
0	All-blocks display control bit (CC0) (See note)	0 : All-blocks display off 1 : All-blocks display on	0	R : W
1	Block 1 display control bit (CC1)	0 : Block 1 display off 1 : Block 1 display on	0	R : W
2	Block 2 display control bit (CC2)	0 : Block 2 display off 1 : Block 2 display on	0	R : W
3 to 6	Nothing is assigned. These bits are write disable bits. When these bits are read out, the values are "0."		0	R : —
7	P1 <sub>0</sub> /OUT2 pin switch bit (CC7)	0 : P1 <sub>0</sub> 1 : OUT2	0	R : W

**Note:** Display is controlled by logical product (AND) between the all-blocks display control bit and each block control bit.

**Addresses 00EC<sub>16</sub>**

## CRT Port Control Register



CRT port control register (CRTP) [Address 00EC<sub>16</sub>]

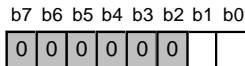
B	Name	Functions	After reset	R : W
0	Hsync input polarity switch bit (HSYC)	0 : Positive polarity input 1 : Negative polarity input	0	R : W
1	Vsync input polarity switch bit (VSYC)	0 : Positive polarity input 1 : Negative polarity input	0	R : W
2	R/G/B output polarity switch bit (R/G/B)	0 : Positive polarity output 1 : Negative polarity output	0	R : W
3	OUT2 output polarity switch bit (OUT2)	0 : Positive polarity output 1 : Negative polarity output	0	R : W
4	OUT1 output polarity switch bit (OUT1)	0 : Positive polarity output 1 : Negative polarity output	0	R : W
5	R signal output switch bit (OP5)	0 : R signal output 1 : MUTE signal output	0	R : W
6	G signal output switch bit (OP6)	0 : G signal output 1 : MUTE signal output	0	R : W
7	B signal output switch bit (OP7)	0 : B signal output 1 : MUTE signal output	0	R : W

# M37212M4/M8-XXXSP, M37212M6-XXXSP/FP M37212EFSP/FP

SINGLE-CHIP 8-BIT CMOS MICROCOMPUTER for VOLTAGE SYNTHESIZER  
with ON-SCREEN DISPLAY CONTROLLER

## Address 00ED<sub>16</sub>

### CRT Clock Selection Register



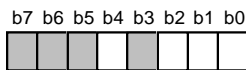
CRT clock selection register (CK) [Address 00ED<sub>16</sub>]

B	Name	Functions	After reset	R	W			
0, 1	CRT clock selection bits (CK0,CK1)	b1 b0		0	R	W		
		0	0				The clock for display is supplied by connecting RC or LC across the pins OSC1 and OSC2.	
		0	1				Since the main clock is used as the clock for display, the oscillation frequency is limited. Because of this, the character size in width (horizontal) direction is also limited. In this case, pins OSC1 and OSC2 are also used as input ports P3 <sub>6</sub> and P3 <sub>7</sub> respectively.	OSD oscillation frequency = $f(X_{IN})$
		1	0				The clock for OSD is supplied by connecting the following across the pins OSC1 and OSC2. <ul style="list-style-type: none"> <li>• a ceramic resonator only for OSD and a feedback resistor</li> <li>• a quartz-crystal oscillator only for OSD and a feedback resistor (See note)</li> </ul>	OSD oscillation frequency = $f(X_{IN})/1.5$
2 to 7	Fix these bits to "0."		0	R	W			

**Note:** It is necessary to connect other ceramic resonator or quartz-crystal oscillator across the pins X<sub>IN</sub> and X<sub>OUT</sub>.

## Addresses 00EE<sub>16</sub>

### A-D Mode Register



A-D mode register (ADM) [Address 00EE<sub>16</sub>]

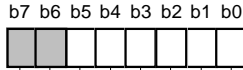
B	Name	Functions	After reset	R	W
0 to 2	Analog input pin selection bits (ADM0 to ADM2)	b2 b1 b0 0 0 0 : A-D1 0 0 1 : A-D2 0 1 0 : A-D3 0 1 1 : A-D4 1 0 0 : A-D5 1 0 1 : A-D6 1 1 0 : A-D7 1 1 1 : A-D8	0	R	W
3	This bit is a write disable bit. When this bit is read out, the value is "0."		0	R	
4	Storage bit of comparison result (ADM4)	0: Input voltage < reference voltage 1: Input voltage > reference voltage	Indeterminate	R	
5 to 7	Nothing is assigned. This bits are write disable bits. When these bits are read out, the values are "0."		0	R	

**M37212M4/M8-XXXSP, M37212M6-XXXSP/FP  
M37212EFSP/FP**

SINGLE-CHIP 8-BIT CMOS MICROCOMPUTER for VOLTAGE SYNTHESIZER  
with ON-SCREEN DISPLAY CONTROLLER

**Address 00EF<sub>16</sub>**

A-D Control Register

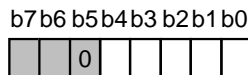


A-D control register (ADC) [Address 00EF<sub>16</sub>]

B	Name	Functions	After reset	R : W
0 to 5	D-A converter set bits (ADC0 to ADC5)	b5 b4 b3 b2 b1 b0 0 0 0 0 0 0 : 1/128Vcc 0 0 0 0 0 1 : 3/128Vcc 0 0 0 0 1 0 : 5/128Vcc ⋮ 1 1 1 1 0 1 : 123/128Vcc 1 1 1 1 1 0 : 125/128Vcc 1 1 1 1 1 1 : 127/128Vcc	0	R : W
6, 7	Nothing is assigned. These bits are write disable bits. When these bits are read out, the values are "0."		0	R : —

**Addresses 00F4<sub>16</sub>**

Timer 12 Mode Register



Timer mode register (T12M) [Address 00F4<sub>16</sub>]

B	Name	Functions	After reset	R : W
0	Timer 1 count source selection bit 1 (T12M0)	0: f(X <sub>IN</sub> )/16 1: f(X <sub>IN</sub> )/4096	0	R : W
1	Timer 2 count source selection bit (T12M1)	0: Interrupt clock source 1: External clock from TIM2 pin	0	R : W
2	Timer 1 count stop bit (T12M2)	0: Count start 1: Count stop	0	R : W
3	Timer 2 count stop bit (T12M3)	0: Count start 1: Count stop	0	R : W
4	Timer 2 internal count source selection bit 2 (T12M4)	0: f(X <sub>IN</sub> )/16 1: Timer 1 overflow	0	R : W
5	Fix this bit to "0."		0	R : W
6, 7	Nothing is assigned. These bits are write disable bits. When these bits are read out, the values are "0."		0	R : —



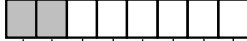
**M37212M4/M8-XXXSP, M37212M6-XXXSP/FP  
M37212EFSP/FP**

SINGLE-CHIP 8-BIT CMOS MICROCOMPUTER for VOLTAGE SYNTHESIZER  
with ON-SCREEN DISPLAY CONTROLLER

**Address 00F5<sub>16</sub>**

Timer 34 Mode Register

b7 b6 b5 b4 b3 b2 b1 b0



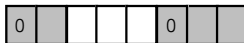
Timer 34 mode register (T34M) [Address 00F5<sub>16</sub>]

B	Name	Functions	After reset	R	W
0	Timer 3 count source selection bit (T34M0)	0 : f(X <sub>IN</sub> )/16 1 : External clock source	0	R	W
1	Timer 4 internal interrupt count source selection bit (T34M1)	0 : Timer 3 overflow signal 1 : f(X <sub>IN</sub> )/16	0	R	W
2	Timer 3 count stop bit (T34M2)	0: Count start 1: Count stop	0	R	W
3	Timer 4 count stop bit (T34M3)	0: Count start 1: Count stop	0	R	W
4	Timer 4 count source selection bit (T34M4)	0: Internal clock source 1: f(X <sub>IN</sub> )/2	0	R	W
5	Timer 3 external count source selection bit (T34M5)	0: TIM3 pin input 1: HSYNC pin input	0	R	W
6, 7	Nothing is assigned. These bits are write disable bits. When these bits are read out, the values are "0."		0	R	—

**Addresses 00F9<sub>16</sub>**

Interrupt Input Polarity Register

b7 b6 b5 b4 b3 b2 b1 b0



Interrupt input polarity register(RE) [Address 00F9<sub>16</sub>]

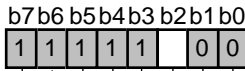
B	Name	Functions	After reset	R	W
0, 1	Nothing is assigned. These bits are write disable bits. When these bits are read out, the values are "0."		0	R	—
2	Fix this bit to "0."		0	R	W
3	INT1 polarity switch bit (RE3)	0 : Positive polarity 1 : Negative polarity	0	R	W
4	INT2 polarity switch bit (RE4)	0 : Positive polarity 1 : Negative polarity	0	R	W
5	INT3 polarity switch bit (RE5)	0 : Positive polarity 1 : Negative polarity	0	R	W
6	Nothing is assigned. This bit is a write disable bit. When this bit is read out, the value is "0."		0	R	—
7	Fix this bit to "0."		0	R	W

**M37212M4/M8-XXXSP, M37212M6-XXXSP/FP  
M37212EFSP/FP**

SINGLE-CHIP 8-BIT CMOS MICROCOMPUTER for VOLTAGE SYNTHESIZER  
with ON-SCREEN DISPLAY CONTROLLER

**Address 00FB<sub>16</sub>**

CPU Mode Register



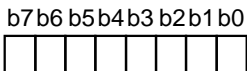
CPU mode register (CM) [Address 00FB<sub>16</sub>]

B	Name	Functions	After reset	R	W
0, 1	Fix these bits to "0."		Indeterminate	R	W
2	Stack page selection bit (CM2) (See note)	0: 0 page 1: 1 page	1	R	W
3 to 7	Fix these bits to "1."		Indeterminate	R	W

**Note:** This bit is set to "1" after the reset release.

**Addresses 00FC<sub>16</sub>**

Interrupt Request Register 1



Interrupt request register 1 (IREQ1) [Address 00FC<sub>16</sub>]

B	Name	Functions	After reset	R	W
0	Timer 1 interrupt request bit (TM1R)	0 : No interrupt request issued 1 : Interrupt request issued	0	R	*
1	Timer 2 interrupt request bit (TM2R)	0 : No interrupt request issued 1 : Interrupt request issued	0	R	*
2	Timer 3 interrupt request bit (TM3R)	0 : No interrupt request issued 1 : Interrupt request issued	0	R	*
3	Timer 4 interrupt request bit (TM4R)	0 : No interrupt request issued 1 : Interrupt request issued	0	R	*
4	OSD interrupt request bit (OSDR)	0 : No interrupt request issued 1 : Interrupt request issued	0	R	*
5	VSYNC interrupt request bit (VSCR)	0 : No interrupt request issued 1 : Interrupt request issued	0	R	*
6	Multi-master I <sup>2</sup> C-BUS interface interrupt request bit (IICR)	0 : No interrupt request issued 1 : Interrupt request issued	0	R	*
7	INT3 external interrupt request bit (IT3R)	0 : No interrupt request issued 1 : Interrupt request issued	0	R	*

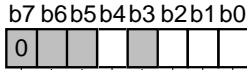
\*: "0" can be set by software, but "1" cannot be set.

**M37212M4/M8-XXXSP, M37212M6-XXXSP/FP  
M37212EFSP/FP**

SINGLE-CHIP 8-BIT CMOS MICROCOMPUTER for VOLTAGE SYNTHESIZER  
with ON-SCREEN DISPLAY CONTROLLER

**Address 00FD<sub>16</sub>**

Interrupt Request Register 2



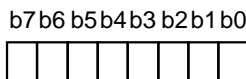
Interrupt request register 2 (IREQ2) [Address 00FD<sub>16</sub>]

B	Name	Functions	After reset	R	W
0	INT1 external interrupt request bit (IT1R)	0 : No interrupt request issued 1 : Interrupt request issued	0	R	*
1	INT2 external interrupt request bit (IT2R)	0 : No interrupt request issued 1 : Interrupt request issued	0	R	*
2	Serial I/O interrupt request bit (S1R)	0 : No interrupt request issued 1 : Interrupt request issued	0	R	*
3	Nothing is assigned. This bit is a write disable bit. When this bit is read out, the value is "0."		0	R	—
4	f(XIN)/4096 interrupt request bit (MSR)	0 : No interrupt request issued 1 : Interrupt request issued	0	R	*
5, 6	Nothing is assigned. These bits are write disable bits. When these bits are read out, the values are "0."		0	R	—
7	Fix this bit to "0."		0	R	W

\*: "0" can be set by software, but "1" cannot be set.

**Addresses 00FE<sub>16</sub>**

Interrupt Control Register 1



Interrupt control register 1 (ICON1) [Address 00FE<sub>16</sub>]

B	Name	Functions	After reset	R	W
0	Timer 1 interrupt enable bit (TM1E)	0 : Interrupt disabled 1 : Interrupt enabled	0	R	W
1	Timer 2 interrupt enable bit (TM2E)	0 : Interrupt disabled 1 : Interrupt enabled	0	R	W
2	Timer 3 interrupt enable bit (TM3E)	0 : Interrupt disabled 1 : Interrupt enabled	0	R	W
3	Timer 4 interrupt enable bit (TM4E)	0 : Interrupt disabled 1 : Interrupt enabled	0	R	W
4	OSD interrupt enable bit (OSDE)	0 : Interrupt disabled 1 : Interrupt enabled	0	R	W
5	Vsync interrupt enable bit (VSCE)	0 : Interrupt disabled 1 : Interrupt enabled	0	R	W
6	Multi-master I <sup>2</sup> C-BUS interface interrupt enable bit (IICE)	0 : Interrupt disabled 1 : Interrupt enabled	0	R	W
7	INT3 external interrupt enable bit (IT3E)	0 : Interrupt disabled 1 : Interrupt enabled	0	R	W

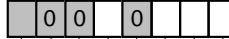
**M37212M4/M8-XXXSP, M37212M6-XXXSP/FP  
M37212EFSP/FP**

SINGLE-CHIP 8-BIT CMOS MICROCOMPUTER for VOLTAGE SYNTHESIZER  
with ON-SCREEN DISPLAY CONTROLLER

**Address 00FF<sub>16</sub>**

Interrupt Control Register 2

b7 b6 b5 b4 b3 b2 b1 b0



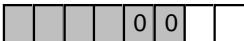
Interrupt control register 2 (ICON2) [Address 00FF<sub>16</sub>]

B	Name	Functions	After reset	R : W
0	INT1 external interrupt enable bit (IT1E)	0 : Interrupt disabled 1 : Interrupt enabled	0	R : W
1	INT2 external interrupt enable bit (IT2E)	0 : Interrupt disabled 1 : Interrupt enabled	0	R : W
2	Serial I/O interrupt enable bit (S1E)	0 : Interrupt disabled 1 : Interrupt enabled	0	R : W
3	Fix this bit to "0."		0	R : W
4	f(XIN)/4096 interrupt enable bit (MSE)	0 : Interrupt disabled 1 : Interrupt enabled	0	R : W
5, 6	Fix these bits to "0."		0	R : W
7	Nothing is assigned. These bits are write disable bits. When these bits are read out, the values are "indeterminate."		indeterminate	R : —

**Addresses 021B<sub>16</sub>**

ROM Correction Enable Register

b7 b6 b5 b4 b3 b2 b1 b0



ROM correction enable register (RCR) [Address 021B<sub>16</sub>]

B	Name	Functions	After reset	R : W
0	Vector 1 enable bit (RC0)	0: Disabled 1: Enabled	0	R : W
1	Vector 2 enable bit (RC1)	0: Disabled 1: Enabled	0	R : W
2, 3	Fix these bits to "0."		0	R : W
4 to 7	Nothing is assigned. These bits are write disable bits. When these bits are read out, the values are "0."		0	R : —

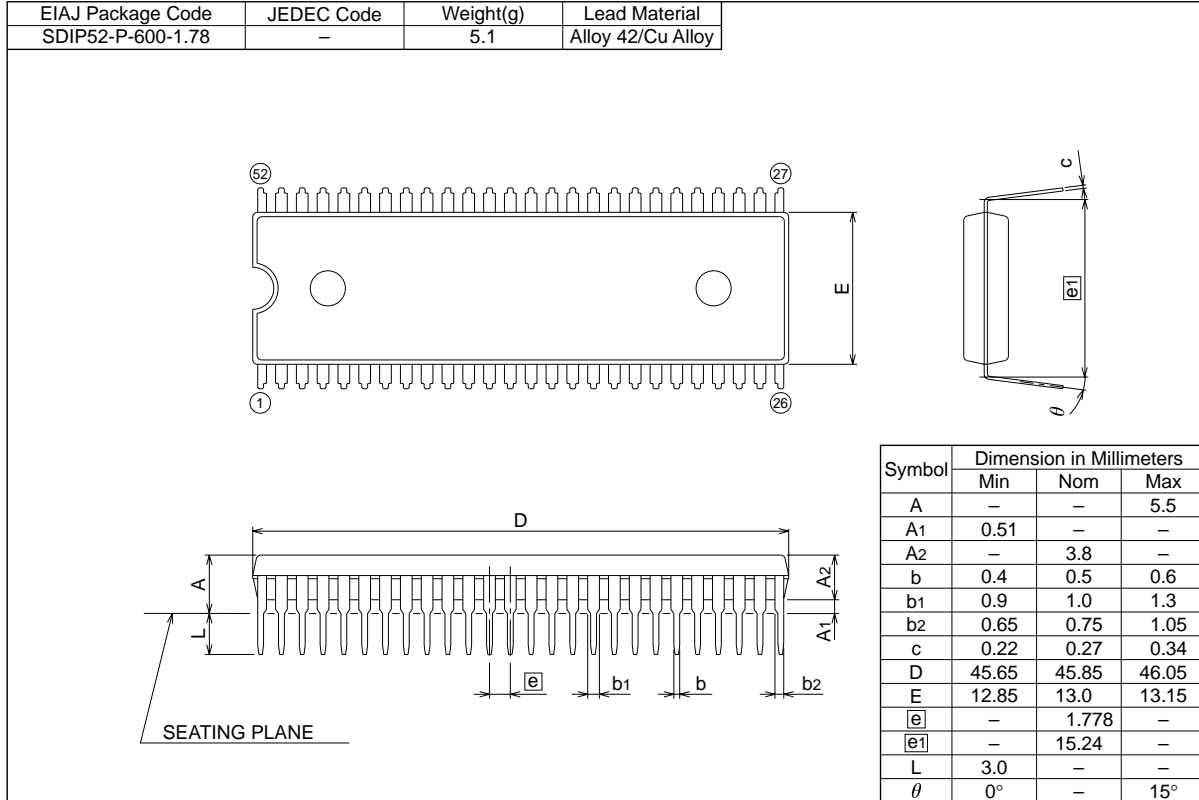
# M37212M4/M8-XXXSP, M37212M6-XXXSP/FP M37212EFSP/FP

SINGLE-CHIP 8-BIT CMOS MICROCOMPUTER for VOLTAGE SYNTHESIZER  
with ON-SCREEN DISPLAY CONTROLLER

## 21. PACKAGE OUTLINE

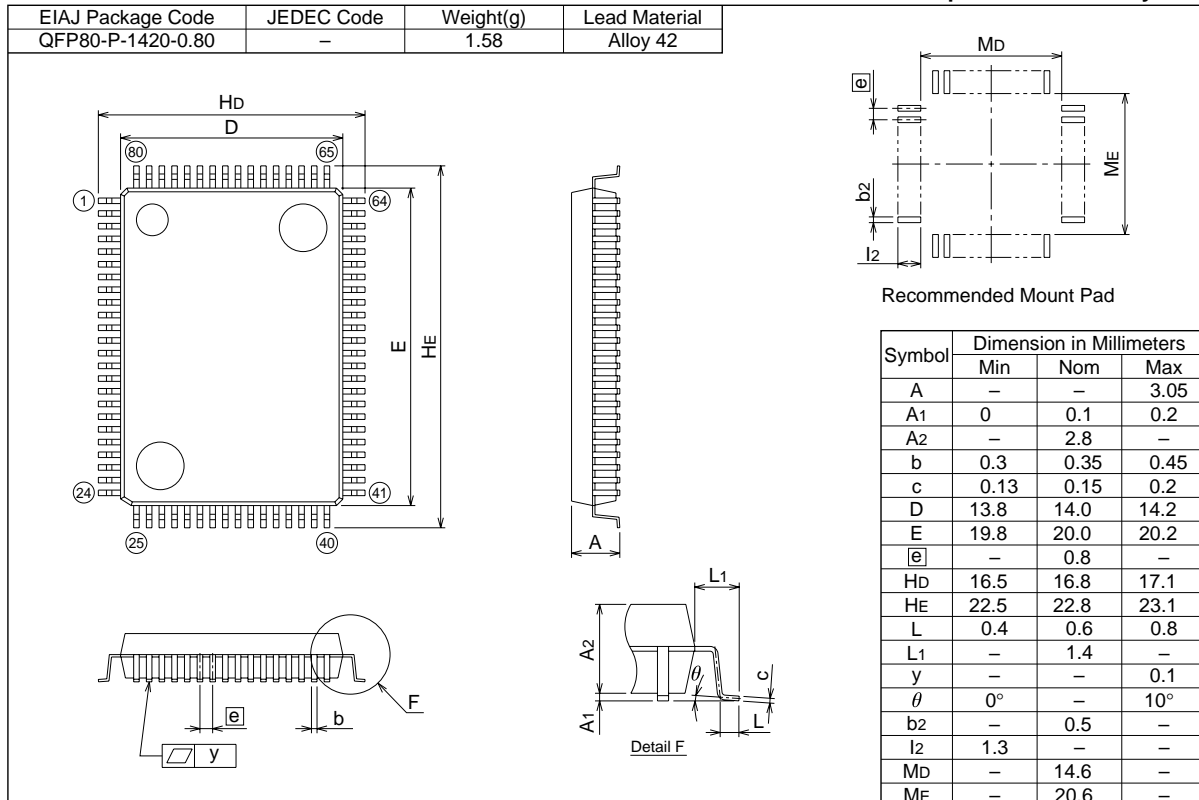
### 52P4B

Plastic 52pin 600mil SDIP



### 80P6N-A

Plastic 80pin 14X20mm body QFP



**M37212M4/M8-XXXSP, M37212M6-XXXSP/FP  
M37212EFSP/FP**

SINGLE-CHIP 8-BIT CMOS MICROCOMPUTER for VOLTAGE SYNTHESIZER  
with ON-SCREEN DISPLAY CONTROLLER



**Keep safety first in your circuit designs!**

- Mitsubishi Electric Corporation puts the maximum effort into making semiconductor products better and more reliable, but there is always the possibility that trouble may occur with them. Trouble with semiconductors may lead to personal injury, fire or property damage. Remember to give due consideration to safety when making your circuit designs, with appropriate measures such as (i) placement of substitutive, auxiliary circuits, (ii) use of non-flammable material or (iii) prevention against any malfunction or mishap.

**Notes regarding these materials**

- These materials are intended as a reference to assist our customers in the selection of the Mitsubishi semiconductor product best suited to the customer's application; they do not convey any license under any intellectual property rights, or any other rights, belonging to Mitsubishi Electric Corporation or a third party.
- Mitsubishi Electric Corporation assumes no responsibility for any damage, or infringement of any third-party's rights, originating in the use of any product data, diagrams, charts, programs, algorithms, or circuit application examples contained in these materials.
- All information contained in these materials, including product data, diagrams, charts, programs and algorithms represents information on products at the time of publication of these materials, and are subject to change by Mitsubishi Electric Corporation without notice due to product improvements or other reasons. It is therefore recommended that customers contact Mitsubishi Electric Corporation or an authorized Mitsubishi Semiconductor product distributor for the latest product information before purchasing a product listed herein.
- The information described here may contain technical inaccuracies or typographical errors. Mitsubishi Electric Corporation assumes no responsibility for any damage, liability, or other loss rising from these inaccuracies or errors. Please also pay attention to information published by Mitsubishi Electric Corporation by various means, including the Mitsubishi Semiconductor home page (<http://www.mitsubishichips.com>).
- When using any or all of the information contained in these materials, including product data, diagrams, charts, programs, and algorithms, please be sure to evaluate all information as a total system before making a final decision on the applicability of the information and products. Mitsubishi Electric Corporation assumes no responsibility for any damage, liability or other loss resulting from the information contained herein.
- Mitsubishi Electric Corporation semiconductors are not designed or manufactured for use in a device or system that is used under circumstances in which human life is potentially at stake. Please contact Mitsubishi Electric Corporation or an authorized Mitsubishi Semiconductor product distributor when considering the use of a product contained herein for any specific purposes, such as apparatus or systems for transportation, vehicular, medical, aerospace, nuclear, or undersea repeater use.
- The prior written approval of Mitsubishi Electric Corporation is necessary to reprint or reproduce in whole or in part these materials.
- If these products or technologies are subject to the Japanese export control restrictions, they must be exported under a license from the Japanese government and cannot be imported into a country other than the approved destination.
- Any diversion or reexport contrary to the export control laws and regulations of Japan and/or the country of destination is prohibited.
- Please contact Mitsubishi Electric Corporation or an authorized Mitsubishi Semiconductor product distributor for further details on these materials or the products contained therein.



**M37212M4/M8-XXXSP, M37212M6-XXXSP/FP  
M37212EFSP/FP**

SINGLE-CHIP 8-BIT CMOS MICROCOMPUTER for VOLTAGE SYNTHESIZER  
with ON-SCREEN DISPLAY CONTROLLER

REVISION HISTORY	M37212M4/M8-XXXSP, M37212M6-XXXSP/FP, M37212EFSP/FP (Rev.1.0)	DATA SHEET
------------------	--	------------

Rev. No.	Revision Description	Rev. date
1.0	PDF First Edition	9909