

PLEASE CHECK WWW.MOLEX.COM FOR LATEST PART INFORMATION

Part Number: [0395033004](#)
Status: **Active**
Description: 3.50mm (.138") Pitch Eurostyle™ Vertical Plug, Front Wire Entry, 4 Circuits

Documents:

[Drawing \(PDF\)](#) [RoHS Certificate of Compliance \(PDF\)](#)
[Product Specification PS-39500-001 \(PDF\)](#)

General

Product Family	Terminal Blocks
Series	39503
Application	Wire-to-Board
Comments	Front Wire Entry
Component Type	Plug
Product Literature Order No	USA-355
Product Name	ESE, Eurostyle™ Pluggable
Type	Euro Block

Physical

Circuits (Loaded)	4
Entry Angle	Horizontal
Lock to Mating Part	None
Number of Rows	1
Orientation	Vertical
Panel Mount	No
Pitch - Mating Interface (in)	0.138 In
Pitch - Mating Interface (mm)	3.50 mm
Polarized to Mating Part	Yes
Stackable	No
Temperature Range - Operating	-40°C to +105°C
Wire Size AWG	16, 18, 20, 22, 24
Wire Size mm²	0.20 - 1.31

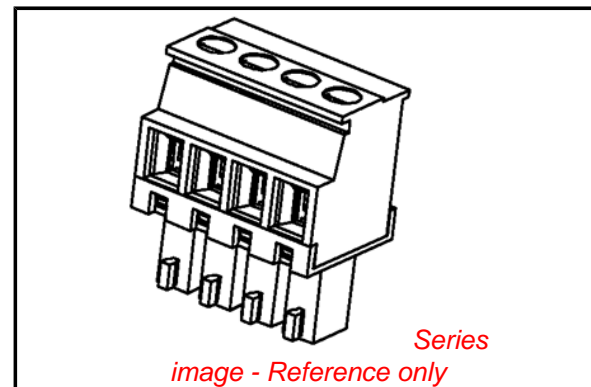
Electrical

Current - Maximum per Contact	8A
Voltage - Maximum	300V

Material Info

Reference - Drawing Numbers

Product Specification	PS-39500-001
Sales Drawing	SD-39503-001



EU RoHS

ELV and RoHS Compliant
REACH SVHC
 Not Reviewed
Halogen-Free Status

China RoHS



Not Reviewed

Need more information on product environmental compliance?

Email productcompliance@molex.com
 For a multiple part number RoHS Certificate of Compliance, [click here](#)

Please visit the [Contact Us](#) section for any non-product compliance questions.

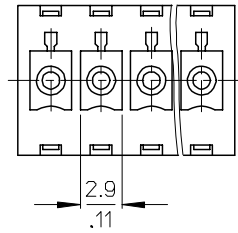
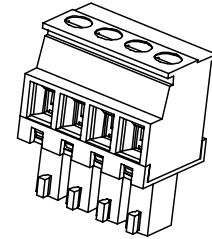
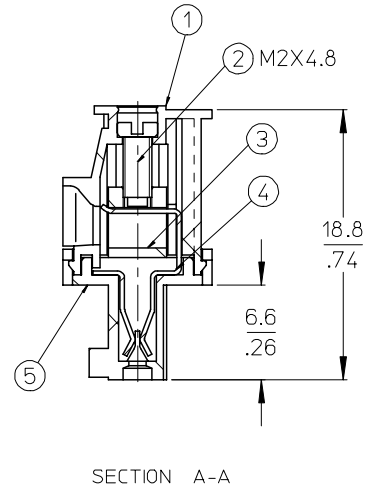
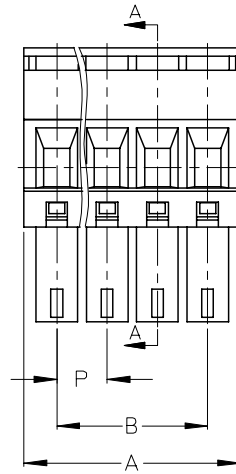
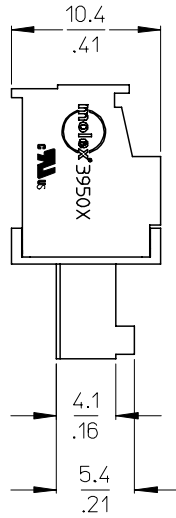
Search Parts in this Series

[39503Series](#)

Mates With

[39501](#) Vertical PCB Header, [39502](#) Horizontal PCB Header, Most 3.50mm (.138") Pitch Industry Standard PCB Headers

PLEASE CHECK WWW.MOLEX.COM FOR LATEST PART INFORMATION



SPECIFICATIONS

1. Material:
 - (1). Body: PA66
 - (2). Screw: Steel
 - (3). Cage: Brass
 - (4). Contact: Brass
 - (5). Cover: PA66
2. Wire range: 16 - 24AWG
3. Electrical rating: 300V, 8A.
4. Wire stip length: 6.5mm.
5. Operating temperature: -40°C to +105°C.
6. Max torque: 2 in.-lbs.
7. Insulation resistance: DC 500V, 500 Megohms.
8. Dielectric withstand: AC 2500V for 1 minute
9. Breakdown voltage: 4000V
10. Contact resistance: <10 milliohms
11. DIM. A = B + 4.60
12. DIM. B = (N - 1) X P
13. DIM. P (PITCH) = 3.50mm (.138")
14. N = Number of positions available 2 through 20.
15. ALL COMPONENTS ARE ROHS COMPLIANT.

EDIT TITLE EC NO: ETC2007-0459 DRWN: CLYORK 2007/06/17 CHKD: DEROSS 2007/06/22 APPR: JMACNEIL 2007/06/25	QUALITY SYMBOLS ▽=0 ▽=0	GENERAL TOLERANCES (UNLESS SPECIFIED)		DIMENSION STYLE	SCALE	DESIGN UNITS	THIRD ANGLE PROJECTION		
			mm	INCH	MM/IN	3:1	INCH		
		4 PLACES	± ---	± ---	DRAWN BY	DATE	TITLE		
		3 PLACES	± ---	± .005	C. YORK	2006/03/17	3.50MM, EURO PLUG, VERTICAL, FRONT WIRE ENTRY		
2 PLACES	± 0.13	± .01	CHECKED BY	DATE	MOLEX INCORPORATED				
1 PLACE	± 0.3	± ---	R. DEROSS	2006/03/17	DOCUMENT NO. SD-39503-001				
ANGULAR ± 2 °		APPROVED BY		DATE	SHEET NO. 1 OF 2				
DRAFT WHERE APPLICABLE MUST REMAIN WITHIN DIMENSIONS		R. DEROSS		2006/03/17	THIS DRAWING CONTAINS INFORMATION THAT IS PROPRIETARY TO MOLEX INCORPORATED AND SHOULD NOT BE USED WITHOUT WRITTEN PERMISSION				
REV	DESCRIPTION	MATERIAL NO.		SEE SHT. 2					

Circuit size	Material Numbers												Dimensional Information						
	Black						Green												
	100% Tin			30 u" Gold			100% Tin			30 u" Gold			Dim. A		Dim B				
	Printing Options			Printing Options			Printing Options			Printing Options			mm	inch	mm	inch			
	None	10AV	11AV	None	10AV	11AV	None	10AV	11AV	None	10AV	11AV	None	10AV	11AV	mm	inch	mm	inch
2	395033002	395033302	395033402	395033502	395033802	395033902	395038002	395038302	395038402	395038502	395038802	395038902	8.1	0.32	3.5	0.14			
3	395033003	395033303	395033403	395033503	395033803	395033903	395038003	395038303	395038403	395038503	395038803	395038903	11.6	0.46	7.0	0.28			
4	395033004	395033304	395033404	395033504	395033804	395033904	395038004	395038304	395038404	395038504	395038804	395038904	15.1	0.59	10.5	0.41			
5	395033005	395033305	395033405	395033505	395033805	395033905	395038005	395038305	395038405	395038505	395038805	395038905	18.6	0.73	14.0	0.55			
6	395033006	395033306	395033406	395033506	395033806	395033906	395038006	395038306	395038406	395038506	395038806	395038906	22.1	0.87	17.5	0.69			
7	395033007	395033307	395033407	395033507	395033807	395033907	395038007	395038307	395038407	395038507	395038807	395038907	25.6	1.01	21.0	0.83			
8	395033008	395033308	395033408	395033508	395033808	395033908	395038008	395038308	395038408	395038508	395038808	395038908	29.1	1.15	24.5	0.97			
9	395033009	395033309	395033409	395033509	395033809	395033909	395038009	395038309	395038409	395038509	395038809	395038909	32.6	1.28	28.0	1.10			
10	395033010	395033310	395033410	395033510	395033810	395033910	395038010	395038310	395038410	395038510	395038810	395038910	36.1	1.42	31.5	1.24			
11	395033011	395033311	395033411	395033511	395033811	395033911	395038011	395038311	395038411	395038511	395038811	395038911	39.6	1.56	35.0	1.38			
12	395033012	395033312	395033412	395033512	395033812	395033912	395038012	395038312	395038412	395038512	395038812	395038912	43.1	1.70	38.5	1.52			
13	395033013	395033313	395033413	395033513	395033813	395033913	395038013	395038313	395038413	395038513	395038813	395038913	46.6	1.84	42.0	1.65			
14	395033014	395033314	395033414	395033514	395033814	395033914	395038014	395038314	395038414	395038514	395038814	395038914	50.1	1.97	45.5	1.79			
15	395033015	395033315	395033415	395033515	395033815	395033915	395038015	395038315	395038415	395038515	395038815	395038915	53.6	2.11	49.0	1.93			
16	395033016	395033316	395033416	395033516	395033816	395033916	395038016	395038316	395038416	395038516	395038816	395038916	57.1	2.25	52.5	2.07			
17	395033017	395033317	395033417	395033517	395033817	395033917	395038017	395038317	395038417	395038517	395038817	395038917	60.6	2.39	56.0	2.21			
18	395033018	395033318	395033418	395033518	395033818	395033918	395038018	395038318	395038418	395038518	395038818	395038918	64.1	2.52	59.5	2.34			
19	395033019	395033319	395033419	395033519	395033819	395033919	395038019	395038319	395038419	395038519	395038819	395038919	67.6	2.66	63.0	2.48			
20	395033020	395033320	395033420	395033520	395033820	395033920	395038020	395038320	395038420	395038520	395038820	395038920	71.1	2.80	66.5	2.62			

SEE SHEET 1 EC NO: ETC2007-0459 DRWN: CLYORK 2007/06/17 CHKD: DEROSS 2007/06/22 APPR: JMACNEIL 2007/06/25	QUALITY SYMBOLS ▽=0 ▽=0	GENERAL TOLERANCES (UNLESS SPECIFIED)		DIMENSION STYLE		SCALE	DESIGN UNITS	THIRD ANGLE PROJECTION		
				MM/IN		3:1	INCH			
				mm	INCH	DRAWN BY	DATE	TITLE 3.50MM, EURO PLUG, VERTICAL, FRONT WIRE ENTRY		
				4 PLACES ± --- ± ---		C. YORK	2006/03/17			
		3 PLACES ± --- ± .005		CHECKED BY	DATE	MOLEX MOLEX INCORPORATED				
		2 PLACES ± 0.13 ± .01		R. DEROSS	2006/03/17					
		1 PLACE ± 0.3 ± ---		APPROVED BY	DATE	DOCUMENT NO. SD-39503-001				
		ANGULAR ± 2 °		R. DEROSS	2006/03/17					
		DRAFT WHERE APPLICABLE MUST REMAIN WITHIN DIMENSIONS		MATERIAL NO.		SHEET NO.				
				SEE CHART		2 OF 2				
				SIZE B		THIS DRAWING CONTAINS INFORMATION THAT IS PROPRIETARY TO MOLEX INCORPORATED AND SHOULD NOT BE USED WITHOUT WRITTEN PERMISSION				