

Please  
Do NOT  
Send

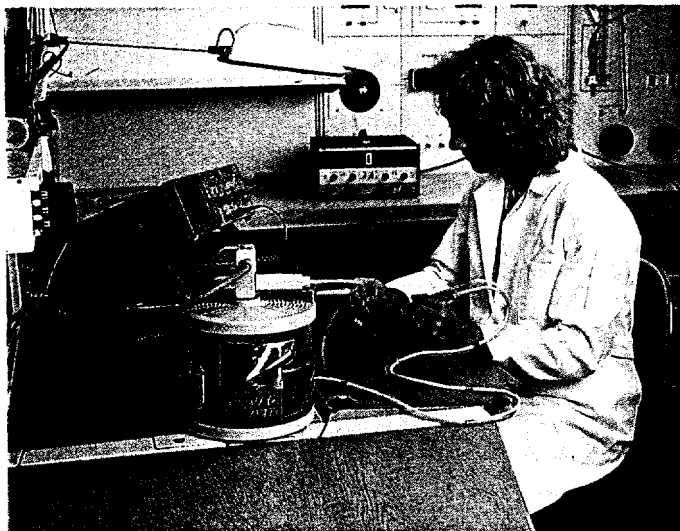
# SOLDER **VAC**

609 699

# **Air EX**

## The Best Solution!

*Demands of a good and healthy working environment increase constantly. Soldering produces fumes and gases which are hazardous to employees and damaging to the products and facilities. **Air EX** is the first in the new **SOLDER VAC** product line for the efficient removal of hazardous soldering fumes.*



**Air EX** is placed at the work station and connected to a compressed air supply.



When a larger working area is needed the **Air EX** can be hung on the work bench.

**Air EX** is a complete 3-stage filter that insures 99.97% filtration of particles. The unit requires very little space and can be placed conveniently without disturbing the surrounding work areas. The unit is designed to connect to soldering irons with integral fume extraction or converted soldering irons with "Clip-On-Kits".

- Easy to install, connects to a compressed air supply.
- Long service life.
- Can be connected to exhaust air piping system.
- Good value. Low operating costs.
- Kit for connection of two soldering irons available as an accessory.
- Quiet operation - will not disturb surrounding work areas.
- Supplied complete with 1.5 m extractor hose and 1 m compressed air hose.
- Can be connected to soldering irons with twin-hose for cooling the handle.

## Function

**Air Ex** is connected to a soldering iron via integral fume extraction or to converted soldering irons with "Clip-On-Kits".

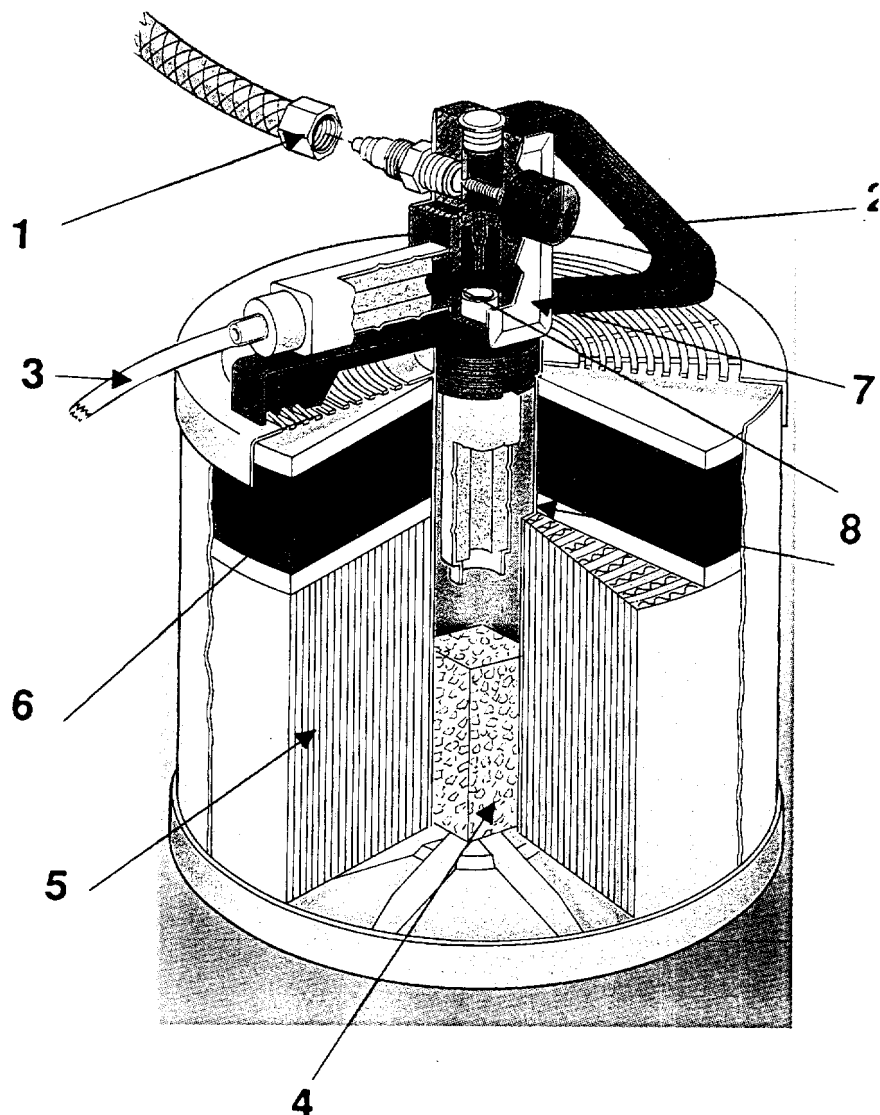
Connect the compressed air hose (1) to the air inlet nipple.

Use the control valve (2) to adjust the airflow as required, and to turn the **Air EX** on and off.

The contaminated air is drawn into the soldering iron and carried by the extractor hose (3) to the **Air EX** where it is forced through the filter, aided by the ejector.

The contaminated air passes through three different filters. The flux filter (4), or coarse filter, filters out the coarser particles, e.g. condensed flux. The fine filter (5) separates smoke particles. The gas filter (6) removes gaseous contaminants from the solder fumes.

The filter should be replaced when the fume extraction ability of the soldering iron becomes impaired.



## Technical data

Filtration efficiency	99.97%
Height	280 mm
Weight	1.8 kg
Diameter	210 mm
Active filter surface	90 dm <sup>2</sup>
Noise level	42 dB(A)
Working pressure	3-8 bar
Extractor hose connector	4-6 mm Ø

## Spare parts/Accessories

<b>Air EX</b>	680001
Hose 1.5 m, Ø 4,2 mm	402226
Filter	366681
Silencer filter	430680
Kit for connection of twin hose	550200
Kit for connection of two soldering irons	550250
Exhaust air fitting for permanent installation	550255

609 699.  
609 705  
OLG.

**SOLDER VAC AIR EX**  
**Small and Efficient Solder Fume Extractor**

**SUCTION CAPACITY AND MAX VACUUM AT DIFFERENT AIR PRESSURE FLOW**

System pressure: 6 Bar

— Suction flow      ▨ Max vacuum m Bar

