



STRATAXGS II™ 24-PORT GE REFERENCE DESIGN

FEATURES

The BCM95695R24X2S is a 24-port stackable multilayer Gigabit Ethernet switch reference design with two 10GE ports. The design is based on the advanced BCM5695 multilayer HiGig switch and the enhanced BCM5675-based switch fabric.

- Wire-speed Layer 2/3 switching performance
- Full-featured Layer 3 GE switch for use with Broadcom CLI or Embedded merchant software
- 24 GE ports, two flexible 10GE CX-4 or fibre ports and two stacking ports
- Choice of PowerPC 8245, BCM4704(MIPS) or SiByte BCM1125 CPU
- RJ-45 and serial interface for management access
- Fixed power supply and fans
- Access to registers and advanced debug environment
- The BCM95695R24X2S reference design kit includes:
 - Main PCB with two BCM5695, two BCM5673 and one BCM5675
 - Two GE ports are combo TX or SFP cages that support pluggable SFP's (not included)
 - WindRiver® VxWorks® embedded real-time operating system (run time license)
 - Broadcom Software Development Kit API 4.2 or later with binary and source code files
 - Necessary online documentation to bring up the system
 - One HiGig cable, one CX4 cable, one DB-9 to DB-9 serial cable, rack mount kit, and power cord

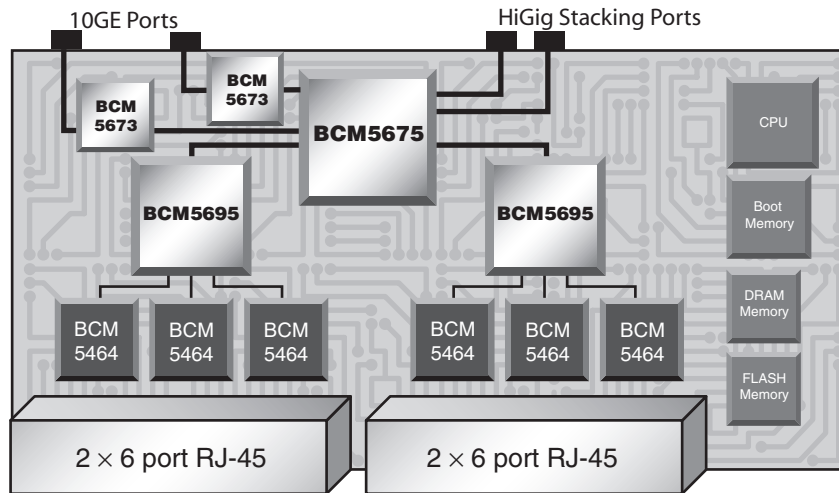
SUMMARY OF BENEFITS

- System vendors get quick time-to-market with access to complete schematics and production design files.
- System designers are able to quickly design new products and bring them to market.
- Software developers get early access to fully-functional development platform resembling the final product.
- Robust development platform accelerates product and feature evaluation very early in the design cycle.
- Flexibility of CPUs enables the most optimal choice of components very early in the design cycle.
- Broadcom's world-class applications engineering support ensures all technical issues are handled in a timely manner.
- Convenient online access to all design collateral, documentation, source code and binaries enables smooth information exchange.

BCM95695R24X2S StrataXGS™ 24-Port Gigabit Ethernet Reference Design System



OVERVIEW



General Description

The **BCM95695R24X2S** is a highly-integrated, 24-port, 10/100/1000-Mbps, multilayer switch with two flexible 10GE CX-4 compliant or fibre ports and two stacking ports. It provides a quality platform for software development and debug. It helps accelerate the development of the following types of switches:

- Stackable multilayer Gigabit Ethernet switch
- Embedded multilayer GE switch for blade servers
- Standalone multilayer GE switch
- Switch blade in a chassis-based switch product

The BCM95695R24X2S reference design does not come with a default CPU and must be ordered with one or more of the following part numbers:

- BCM95695R24X2S-02 = PowerPC 8245
- BCM95695R24X2S-04 = MIPS BCM4704
- BCM95695R24X2S-05 = SiByte BCM1125

- BCM98703XFPDB = XFP module kit (board, screws, XFP copper test cable)

The **BCM95695R24X2S** reference design is equipped with all the software and hardware necessary to simulate a typical systems environment.

Included documentation and software

- BCM95695R24X2S user manual
- SDK manual
- Online access to data sheets and theory of operations
- Online access to programmer's reference guide
- Online access to complete system schematic drawings, BOM, Gerber layout files, BCM API 5.0 code or later, and device drivers.
- Preloaded with WindRiver® VxWorks® real-time operating system

For ordering and additional information on the **BCM95695R24X2S** reference design, please contact your local sales representative

Broadcom®, the pulse logo, and Connecting everything® are trademarks of Broadcom Corporation and/or its subsidiaries in the United States and certain other countries. All other trademarks mentioned are the property of their respective owners.

Connecting
everything®



BROADCOM CORPORATION
16215 Alton Parkway, P.O. Box 57013
Irvine, California 92619-7013

© 2004 by BROADCOM CORPORATION. All rights reserved.

95692R24X2S-PB00-R 04/26/04

Phone: 949-450-8700
Fax: 949-450-8710
E-mail: info@broadcom.com
Web: www.broadcom.com