

PLEASE CHECK WWW.MOLEX.COM FOR LATEST PART INFORMATION

Part Number: [5024941270](#)
Status: **Active**
Description: 2.00mm (.079") Pitch CLIK-Mate™ Wire-to-Board PCB Receptacle, Single Row, Right Angle, 12 Circuits

Documents:

[3D Model](#) [Product Specification PS-502443-001 \(PDF\)](#)
[Drawing \(PDF\)](#) [RoHS Certificate of Compliance \(PDF\)](#)

General

Product Family	PCB Receptacles
Series	502494
Application	Wire-to-Board
MolexKits	Yes
Product Name	CLIK-Mate™

Physical

Circuits (Loaded)	12
Circuits (maximum)	12
Durability (mating cycles max)	30
Glow-Wire Compliant	No
Guide to Mating Part	Yes
Keying to Mating Part	Yes
Lock to Mating Part	Yes
Mated Height (in)	0.272 In
Mated Height (mm)	6.90 mm
Material - Plating Mating	Tin
Material - Plating Termination	Tin
Number of Rows	1
Orientation	Right Angle
PCB Locator	No
PCB Retention	Yes
Packaging Type	Embossed Tape on Reel
Pitch - Mating Interface (in)	0.079 In
Pitch - Mating Interface (mm)	2.00 mm
Pitch - Term. Interface (in)	0.079 In
Pitch - Term. Interface (mm)	2.00 mm
Plating min: Mating (µin)	80.000
Plating min: Mating (µm)	2.00
Plating min: Termination (µin)	40.000
Plating min: Termination (µm)	1.00
Polarized to Mating Part	Yes
Polarized to PCB	Yes
Stackable	No
Surface Mount Compatible (SMC)	Yes
Temperature Range - Operating	-25°C to +85°C
Termination Interface: Style	Surface Mount

Electrical

Current - Maximum per Contact	3A
Voltage - Maximum	250V AC (RMS)/DC

Material Info

Reference - Drawing Numbers

Application Specification	AS-502439-001, AS-502439-002
Packaging Specification	SPK-502494-001

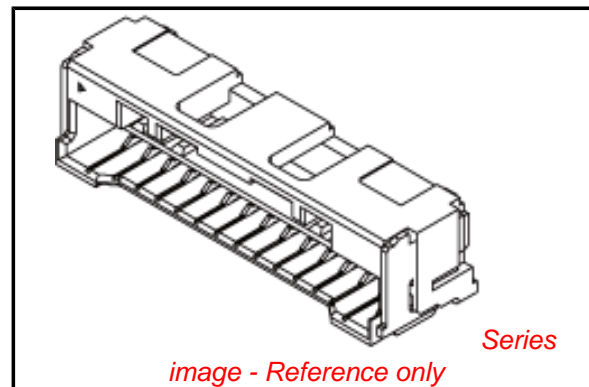


image - Reference only

EU RoHS

ELV and RoHS Compliant
REACH SVHC
 Not Reviewed
Halogen-Free Status
 Not Reviewed

China RoHS



Need more information on product environmental compliance?

Email productcompliance@molex.com
 For a multiple part number RoHS Certificate of Compliance, [click here](#)

Please visit the [Contact Us](#) section for any non-product compliance questions.

Search Parts in this Series

[502494Series](#)

Mates With

[502439 Crimp Housing](#)

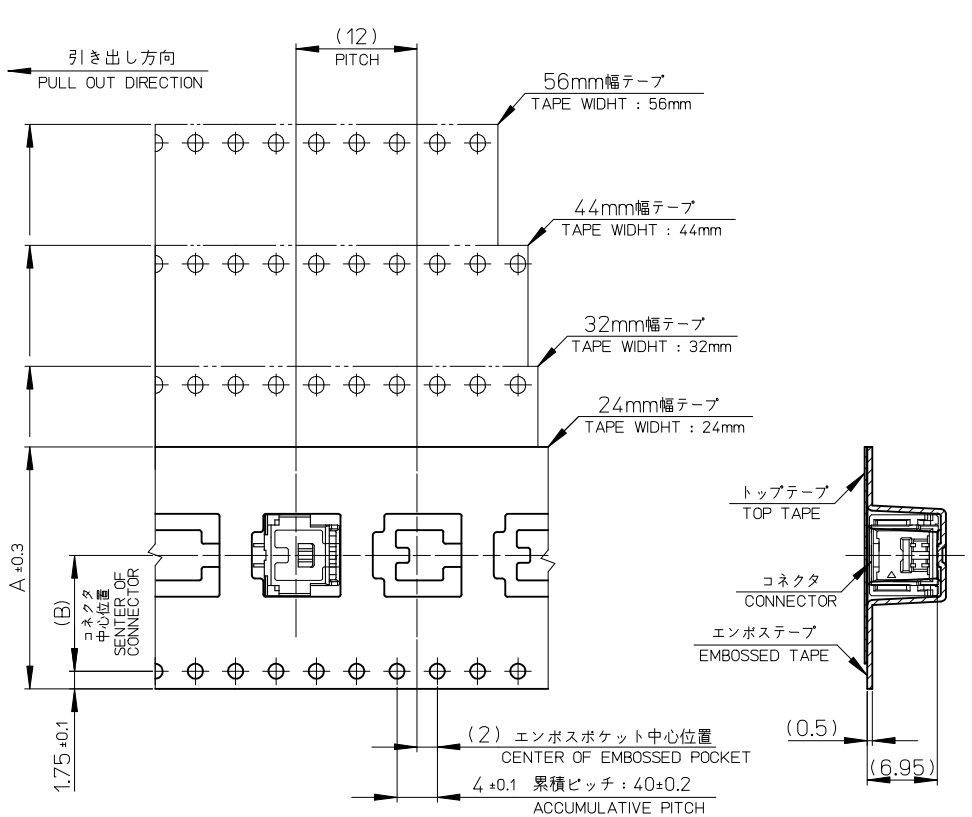
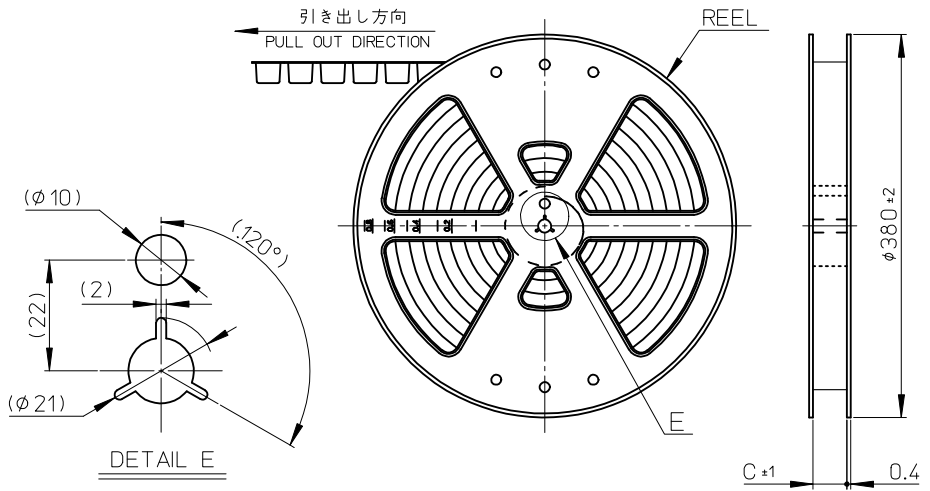
Product Specification

Sales Drawing

PS-502443-001, RPS-502443-001, RPS-502443-007,
RPS-502494-001
SD-502494-001, SD-502494-002

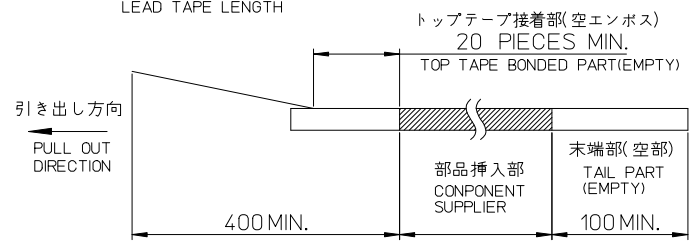
This document was generated on 06/07/2010

PLEASE CHECK WWW.MOLEX.COM FOR LATEST PART INFORMATION



NOTES

- 製品詳細寸法については、SD-502494-002を参照下さい。
PLEASE REFER TO SD-502494-002 FOR THE DETAILED DIMENSION OF THE CONNECTOR.
- 梱包数量：950個
NUMBER OF CONNECTORS：950 PIECES/REEL.
- リードテープ長さ
LEAD TAPE LENGTH

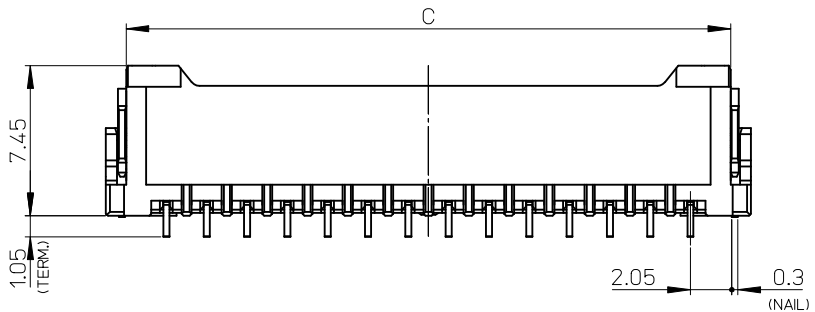
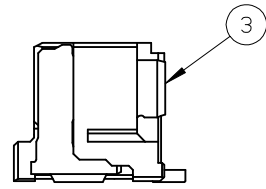
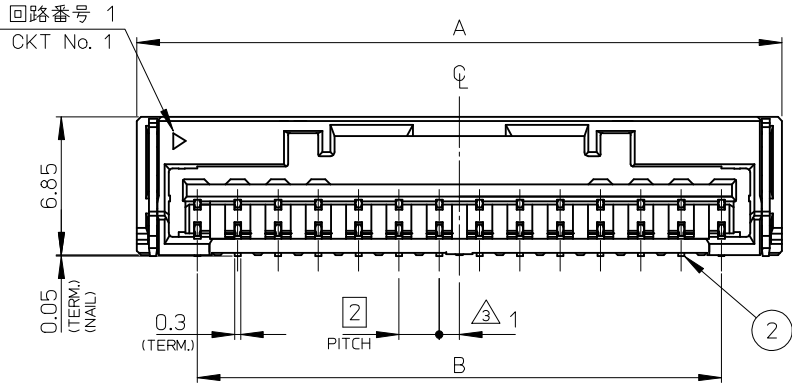
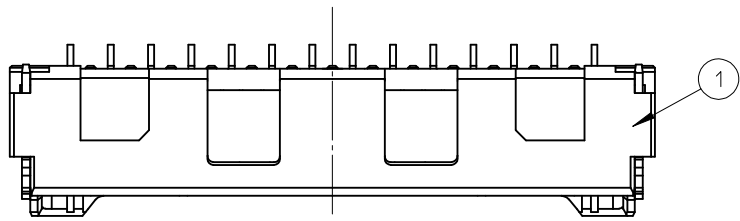


- 材料
MATERIAL
キャリアテープ：ポリスチレン
CARRIER TAPE：POLYSTYRENE
トップテープ：ポリエステル、ポリエチレン、ポリエチレンテレフタレート
TOP TAPE：POLYESTER, POLYETHYLENE, POLYETHYLENE TEREPHTHALATE
リール：ポリスチレン <リサイクル材を含む>
REEL：POLYSTYRENE <RECYCLE MATERIAL CONTAINED>
- ELV及びRoHS適合品
ELV AND RoHS COMPLIANT

57.5	26.2	56	502494-1470	14
45.5	20.2	44	502494-1370	13
45.5	20.2	44	502494-1270	12
45.5	20.2	44	502494-0870	8
33.5	14.2	32	502494-0670	6
25.5	11.5	24	502494-0470	4
C	B	エンボステープ幅 WIDTH OF TAPE	製品番号 MATERIAL NO.	極数 CXT. NO.

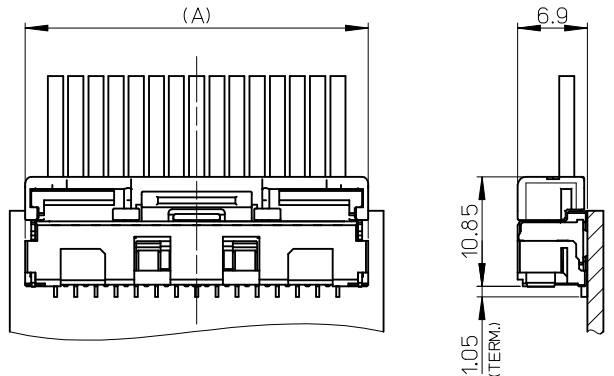
REVISED EC NO: J2010-0767 2009/10/20 DRWN: NITO CHKD: KASAKAWA 2009/10/20 APPR: NUKITA 2009/10/21	DESCRIPTION	GENERAL TOLERANCES (UNLESS SPECIFIED)		DIMENSION STYLE MM ONLY		SCALE ---	DESIGN UNITS METRIC		THIRD ANGLE PROJECTION	
		10 UNDER	±0.2	DRAWN BY NITO	DATE 2007/01/11	TITLE EMBOSSSED TAPE PACKAGE FOR 502494				
		10 OVER 30 UNDER	±0.25	CHECKED BY KASAKAWA	DATE 2007/01/11	MOLEX INCORPORATED				
		30 OVER	±0.3	APPROVED BY YOITO	DATE 2007/01/11					
ANGULAR	±3 °	DRAFT WHERE APPLICABLE MUST REMAIN WITHIN DIMENSIONS		MATERIAL NO. SEE TABLE	DOCUMENT NO. SD-502494-001	SHEET NO. 1 OF 1				
SIZE A3	THIS DRAWING CONTAINS INFORMATION THAT IS PROPRIETARY TO MOLEX INCORPORATED AND SHOULD NOT BE USED WITHOUT WRITTEN PERMISSION									

10 9 8 7 6 5 4 3 2 1



NOTES

1. 嵌合相手 : 502438-**00
MATE WITH : 502438-**00
2. 端子テール部 及び ネイルの平坦度 : 0.1MAX.
TAIL AND NAIL COPLANARITY TO BE 0.1 MAX.
3. 極数 / 2 = 偶数に適用。
APPLY FOR CKT. SIZE / 2 = EVEN.
4. 端子テール部 及び ネイルに錫めっきを使用しているため、
外觀に摺動痕が付く場合が御座います。
THE WOUND OF FRICTION MIGHT ADHERE TO EXTERNALS
BECAUSE THE TIN PLATING IS USED FOR THE TAIL AND NAIL.
5. 本製品のプラスチック部に黒点等が確認される場合や
色合いが異なる場合がありますが、製品性能に影響はありません。
THERE IS NO INFLUENCE IN THE PRODUCT PERFORMANCE THOUGH
THE BLACK SPOT ETC. MIGHT BE CONFIRMED TO THE PLASTIC PART
OF THIS PRODUCT AND THE SHADE MIGHT BE DIFFERENT.
6. ELV 及び RoHS 適合品
ELV AND RoHS COMPLIANT



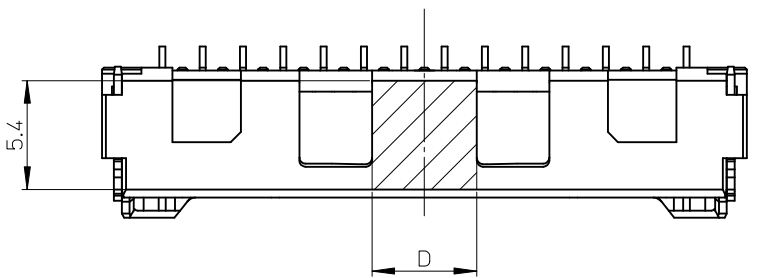
嵌合図 MATED CONNECTORS (SCALE : 2-1)

5.2	30	26	32	502494-1470	14
5.2	28	24	30	502494-1370	13
5.2	26	22	28	502494-1270	12
5.2	18	14	20	502494-0870	8
4	14	10	16	502494-0670	6
7.6	10	6	12	502494-0470	4
D	C	B	A	EMBOSSED TAPE PACKAGE	極数
				注文番号 ORDER No.	CKT. NO.

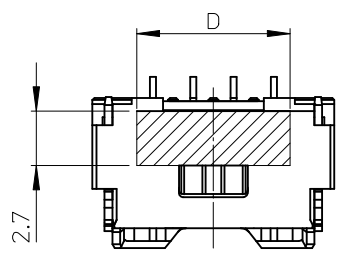
番号 NO.	部品 PART	材質 MATERIAL
①	ハウジング HOUSING	耐熱性樹脂 UL94V-0 色 : ナチュラル HEATPROOF RESIN UL94V-0 COLOR:NATURAL
②	ターミナル TERMINAL	銅合金 COPPER ALLOY 錫めっき : 1.0 micro-meter MIN. TIN (TAIL AREA) ニッケルめっき(下地) : 1.0 micro-meter MIN. NICKEL (UNDER PLATING)
③	ネイル NAIL	銅合金 COPPER ALLOY 錫めっき : 1.0 micro-meter MIN. TIN ニッケルめっき(下地) : 1.0 micro-meter MIN. NICKEL (UNDER PLATING)

REVISED EC NO: J2010-0767 2009/10/20 DRW:NITO CHKD:KASAKAWA 2009/10/20 APPR:NUKITA 2009/10/21	DESCRIPTION	GENERAL TOLERANCES (UNLESS SPECIFIED)		DIMENSION STYLE MM ONLY		SCALE 4:1	DESIGN UNITS METRIC	THIRD ANGLE PROJECTION	
		10 UNDER	±0.2	DRAWN BY NITO	DATE 2007/01/11	TITLE 2.0 W/B CONN. SINGLE R/A REC. ASSY 2-15CKT -LEAD FREE-			
		10 OVER 30 UNDER	±0.25	CHECKED BY KASAKAWA	DATE 2007/01/11	MOLEX INCORPORATED			
		30 OVER	±0.3	APPROVED BY YOITO	DATE 2007/01/11				
REV	ANGULAR ±1 °	DRAFT WHERE APPLICABLE MUST REMAIN WITHIN DIMENSIONS		MATERIAL NO. SEE TABLE	DOCUMENT NO. SD-502494-002	SHEET NO. 1 OF 2			
SIZE A3 THIS DRAWING CONTAINS INFORMATION THAT IS PROPRIETARY TO MOLEX INCORPORATED AND SHOULD NOT BE USED WITHOUT WRITTEN PERMISSION									

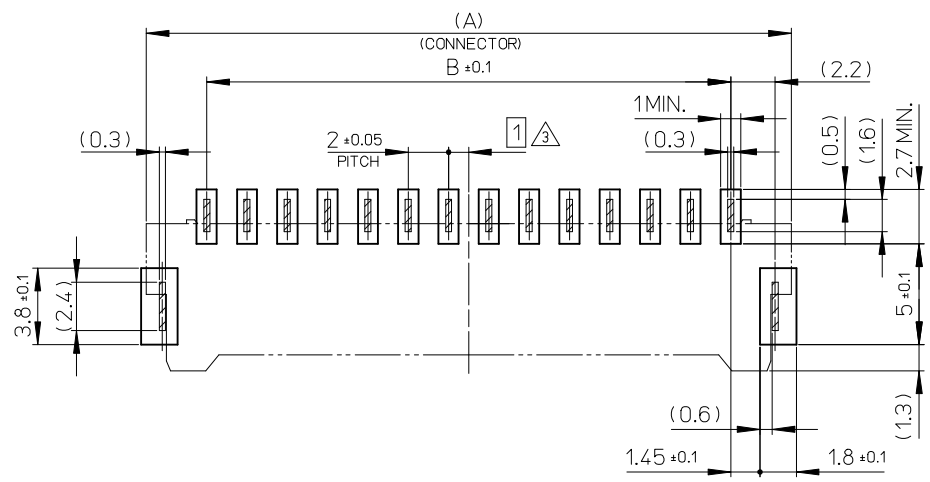
10 9 8 7 6 5 4 3 2 1



吸着エリア 6~14極
VACUME AREA 6~14CKT



吸着エリア 4極
VACUME AREA 4CKT



基板パターンレイアウト(参考)
RECCOMENDED P.C.B. PATTERN LAYOUT (REF.)

REVISED EC NO: J2010-0767 DRWN: NITO 2009/10/20 CHKD: KASAKAWA 2009/10/20 APPR: NUKITA 2009/10/21	GENERAL TOLERANCES (UNLESS SPECIFIED)		DIMENSION STYLE MM ONLY	SCALE 4:1	DESIGN UNITS METRIC	THIRD ANGLE PROJECTION
	10 UNDER	±0.2	DRAWN BY NITO	DATE 2007/01/11	TITLE 2.0 W/B CONN. SINGLE R/A REC. ASSY 2-15CKT -LEAD FREE-	
	10 OVER 30 UNDER	±0.25	CHECKED BY KASAKAWA	DATE 2007/01/11		
	30 OVER	±0.3	APPROVED BY Y01TO	DATE 2007/01/11	MOLEX INCORPORATED	
	ANGULAR ±1 °		MATERIAL NO.	DOCUMENT NO.		
DRAFT WHERE APPLICABLE MUST REMAIN WITHIN DIMENSIONS		SIZE A3	THIS DRAWING CONTAINS INFORMATION THAT IS PROPRIETARY TO MOLEX INCORPORATED AND SHOULD NOT BE USED WITHOUT WRITTEN PERMISSION			