

**PLEASE CHECK WWW.MOLEX.COM FOR LATEST PART INFORMATION**

**Part Number:** **0190670106**  
**Status:** **Active**  
**Description:** NylaKrimp™ Funnel Entry Ring Tongue Terminal for 1/0 AWG Wire, Stud #18

**Documents:**

[Drawing \(PDF\)](#) [RoHS Certificate of Compliance \(PDF\)](#)

**Agency Certification**

UL E32244

**General**

Product Family Ring and Spade Terminals  
 Series 19067  
 Crimp Quality Equipment Yes  
 Mil-Spec N/A  
 Product Name NylaKrimp™  
 Type Ring

**Physical**

Barrel Type Closed - Brazed  
 Flammability 94V-0  
 Insulation Nylon (PA)  
 Material - Plating Mating Tin  
 Packaging Type Bag  
 Plating min: Mating (µin) 100  
 Plating min: Mating (µm) 2.5  
 Plating min: Termination (µin) 100  
 Plating min: Termination (µm) 2.5  
 Stud Size 3/4" (M18)  
 Termination Interface: Style Crimp or Compression  
 Wire Insulation Diameter 17.27mm (.680") max.  
 Wire Size AWG 1

**Material Info**

Old Part Number H-982-34

**Reference - Drawing Numbers**

Sales Drawing SD-19067-007



image - Reference only

**EU RoHS**

**ELV and RoHS Compliant**  
**REACH SVHC Contains SVHC: No**  
**Halogen-Free Status**

**China RoHS**



**Not Reviewed**

**Need more information on product environmental compliance?**

Email [productcompliance@molex.com](mailto:productcompliance@molex.com)  
 For a multiple part number RoHS Certificate of Compliance, [click here](#)

Please visit the [Contact Us](#) section for any non-product compliance questions.

**Search Parts in this Series**

19067Series

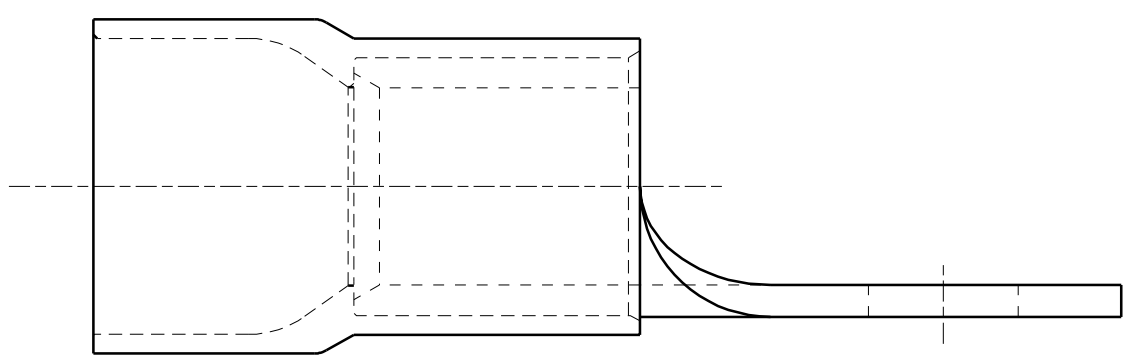
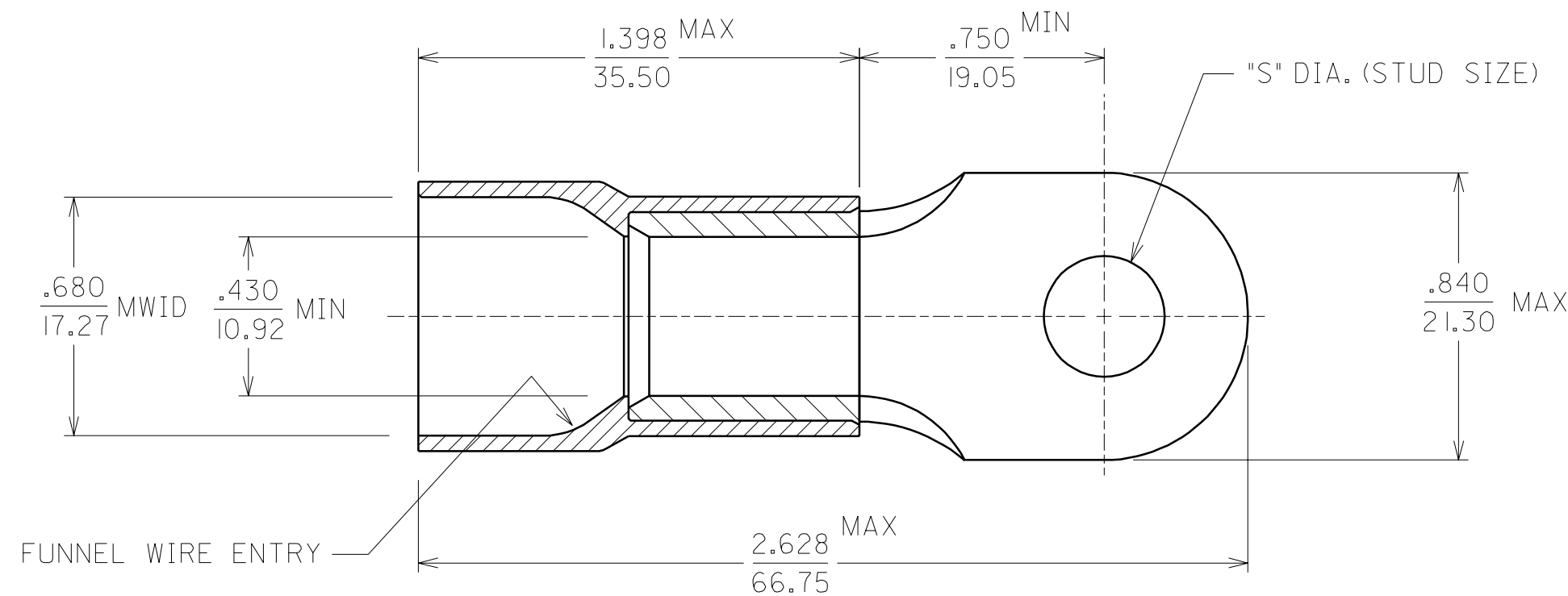
**Application Tooling | FAQ**

*Tooling specifications and manuals are found by selecting the products below. Crimp Height Specifications are then contained in the Application Tooling Specification document.*

**Global**

Description	Product #
Manual Putt Pump Hydraulic System, Die set required	<a href="#">0192860117</a>
Putt Pump Dieless Head System	<a href="#">0192860065</a>

MATERIAL NUMBER	ALTERNATE NUMBER	STUD SIZES	"S"
190670103	H-981-14	1/4	.265
190670104	H-981-56	5/16	.328



NOTES:  
 1. MATERIAL: COPPER .075 THICK  
 PLATING: ELECTROPLATE TIN  
 2. INSULATION: BLUE NYLON 6/6  
 3. MWID=MAXIMUM WIRE INSULATION DIA.  
 4. ALL DIMENSIONS IN INCHES/(MM).

A	NEW CUST DGN ETC2001-0251 01/02/27 EDB
LTR.	REVISIONS

CUSTOMER DRAWING

DIMENSIONS SHOWN (METRIC) INCH UNLESS OTHERWISE SPECIFIED TOLERANCES: ANGULAR ± 1/2°		REVISE ONLY ON CAD SYSTEM													
<table border="1"> <thead> <tr> <th></th> <th>INCH</th> <th>METRIC</th> </tr> </thead> <tbody> <tr> <td>3 PLACE</td> <td>± .005</td> <td>± ---</td> </tr> <tr> <td>2 PLACE</td> <td>± .01</td> <td>± 0.13</td> </tr> <tr> <td>1 PLACE</td> <td>± ---</td> <td>± 0.25</td> </tr> </tbody> </table>			INCH	METRIC	3 PLACE	± .005	± ---	2 PLACE	± .01	± 0.13	1 PLACE	± ---	± 0.25	TITLE NYLAKRIMP FUNNEL ENTRY RING TONGUE TERMINAL I/O AWG	
	INCH	METRIC													
3 PLACE	± .005	± ---													
2 PLACE	± .01	± 0.13													
1 PLACE	± ---	± 0.25													
DRAFT WHERE APPLICABLE MUST REMAIN WITHIN DIMENSIONS		mox ETC INC. PINELLAS PARK, FLA. 33781 U.S.A.	SHEET NO. 1 OF 1												
DRWG. BY EDB	CHK'D. BY HEB	DATE 01/02/02													
APP'D. BY RWD	SCALE NO:NE	PART NO. SEE CHART	DRWG. NO. SD-19067-007												
		FILE NAME SD19067007 DGN	THIS DRAWING CONTAINS INFORMATION THAT IS PROPRIETARY TO MOLEX-ETC INC. AND SHOULD NOT BE USED WITHOUT WRITTEN PERMISSION.												
		DIV. ET	SIZE B												