

PLEASE CHECK WWW.MOLEX.COM FOR LATEST PART INFORMATION

Part Number: **0559591830**
Status: **Active**
Overview: microclasp
Description: 2.00mm (.079") Pitch MicroClasp™ Wire-to-Board Header, Dual Row, Right Angle, 18 Circuits

Documents:

[3D Model](#) [Product Specification PS-51353-010 \(PDF\)](#)
[Drawing \(PDF\)](#) [RoHS Certificate of Compliance \(PDF\)](#)
[Product Specification PS-51353-003 \(PDF\)](#)

General

Product Family	PCB Headers
Series	<u>55959</u>
Application	Wire-to-Board
MolexKits	Yes
Overview	<u>microclasp</u>
Product Name	MicroClasp™

Physical

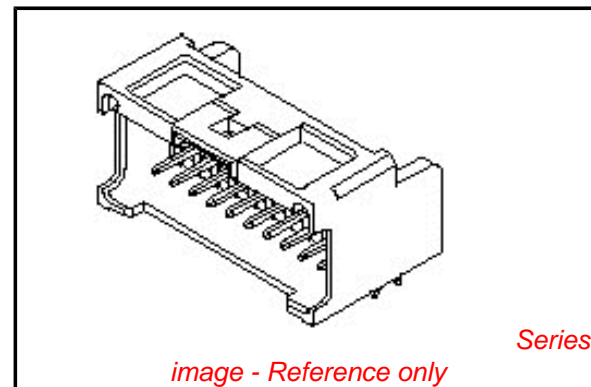
Breakaway	No
Circuits (Loaded)	18
Circuits (maximum)	18
Color - Resin	Natural
Durability (mating cycles max)	30
First Mate / Last Break	No
Glow-Wire Compliant	No
Guide to Mating Part	No
Keying to Mating Part	None
Lock to Mating Part	Yes
Material - Plating Mating	Tin
Material - Plating Termination	Tin
Material - Resin	Polyester
Number of Rows	2
Orientation	Right Angle
PC Tail Length (in)	0.126 In
PC Tail Length (mm)	3.20 mm
PCB Locator	No
PCB Retention	Yes
PCB Thickness Recommended (in)	0.045 In
PCB Thickness Recommended (mm)	1.60 mm
Packaging Type	Tray
Pitch - Mating Interface (in)	0.079 In
Pitch - Mating Interface (mm)	2.00 mm
Shrouded	Fully
Stackable	No
Surface Mount Compatible (SMC)	No
Temperature Range - Operating	-25°C to +85°C
Termination Interface: Style	Through Hole

Electrical

Current - Maximum per Contact	3A
Voltage - Maximum	250V

Material Info

Reference - Drawing Numbers



EU RoHS

ELV and RoHS Compliant
REACH SVHC
 Not Reviewed
Halogen-Free Status

China RoHS



Not Halogen-Free
Need more information on product environmental compliance?

Email productcompliance@molex.com
 For a multiple part number RoHS Certificate of Compliance, [click here](#)

Please visit the [Contact Us](#) section for any non-product compliance questions.

Search Parts in this Series

[55959Series](#)

Mates With

[51353 MicroClasp™ Wire-to-Board Receptacle Housing](#)

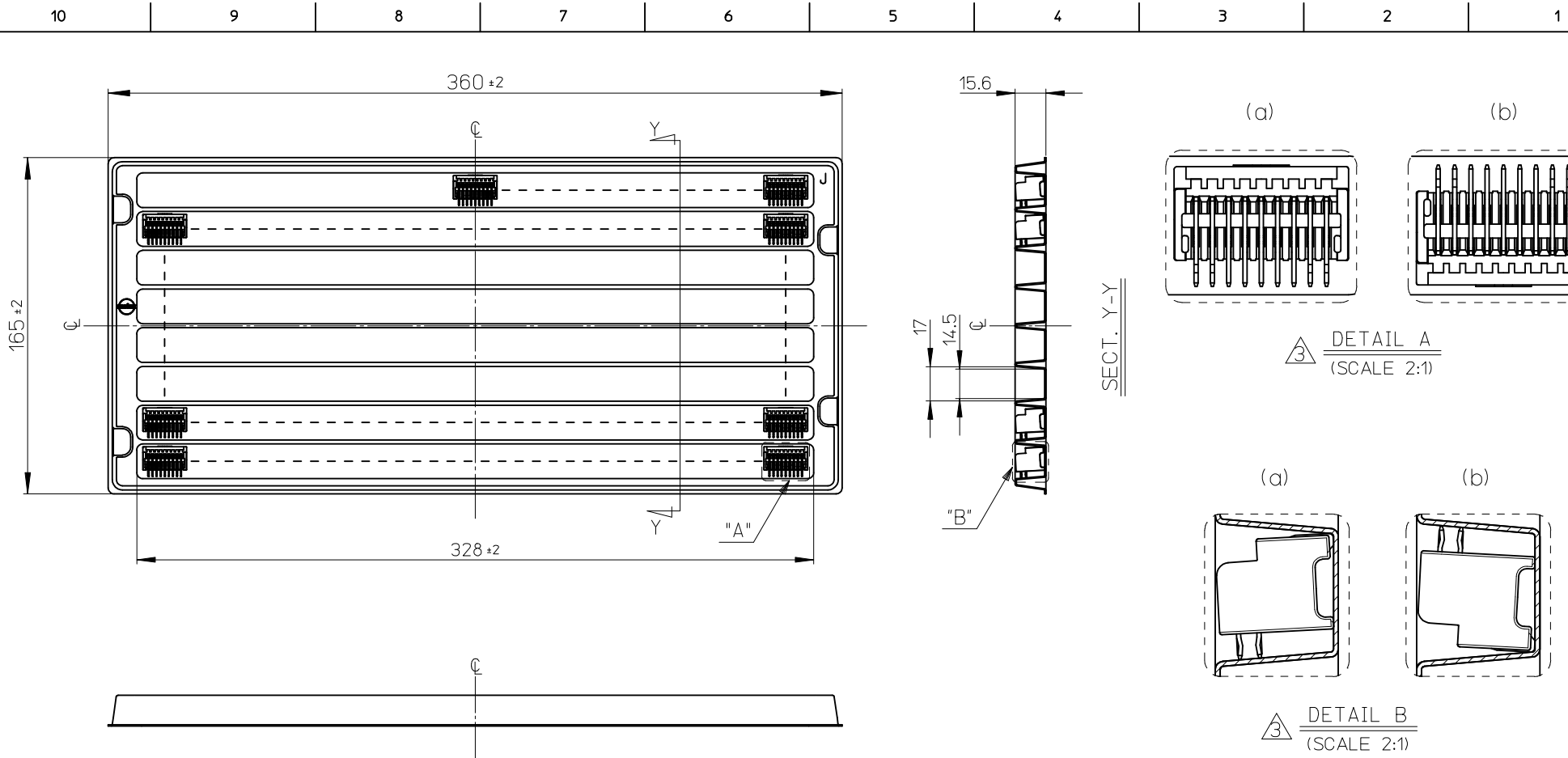
Packaging Specification
Product Specification

SPK-55959-001
PS-51353-003, PS-51353-010, RPS-51353-005,
RPS-51353-008, RPS-51353-009, RPS-51353-010,
RPS-51353-014, RPS-51353-017, RPS-51353-019,
RPS-51353-020, RPS-51353-021, RPS-51353-022,
RPS-51353-023, RPS-51353-024, RPS-51353-025,
RPS-51353-026, RPS-51353-028, RPS-51353-030
SD-55959-001, SD-55959-003

Sales Drawing

This document was generated on 06/07/2010

PLEASE CHECK WWW.MOLEX.COM FOR LATEST PART INFORMATION



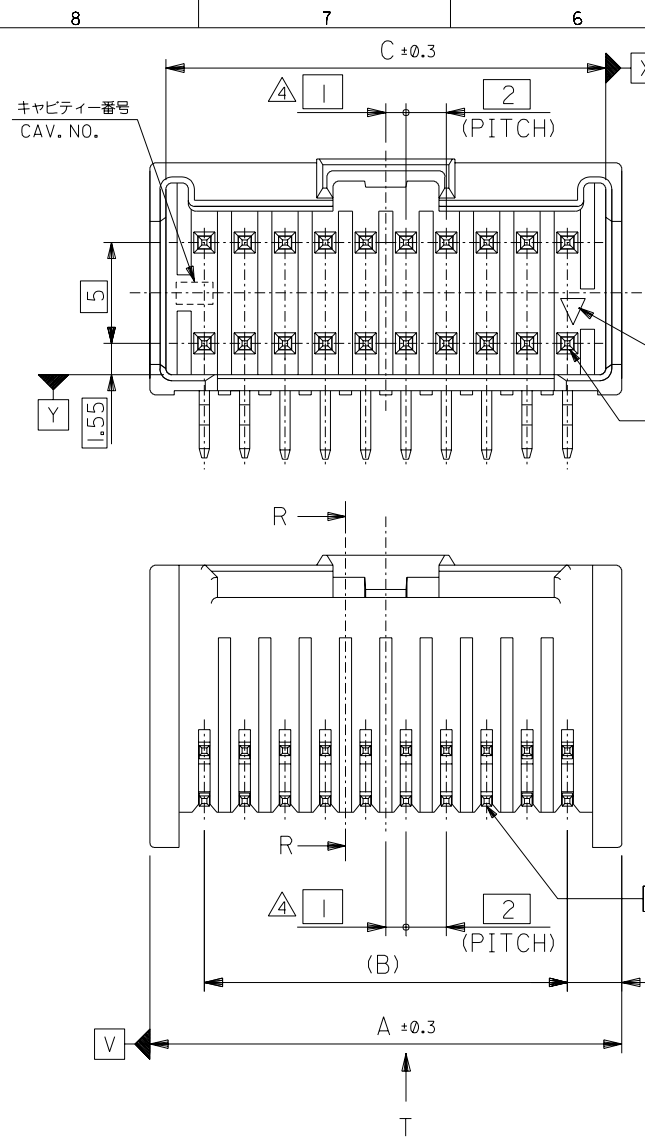
注記

1. 一般公差 : ±0.5
GENERAL TOLERANCES: ±0.5
 2. 各部の反りは2.0MAX.
WARP: 2.0MAX.
- ③ トレイの中の製品の向きは (a) 又は (b) とし、かつ同一トレイ中の製品の向きはどちらか一方で統一
PRODUCT DIRECTION SHOULD BE (a) OR (b).
ALL PRODUCTS MUST FACED THE SAME DIRECTION IN THE TRAY.

55959-**7*
55959-**3*
適用製品番号
APPLICABLE PART No.

RELEASED	EC NO: J2009-0955	DRWN: YOKUZONO 2008/10/20	CHKD: HARUYAMA 2008/10/20	APPR: NUKITA 2008/10/20	GENERAL TOLERANCES (UNLESS SPECIFIED)	DIMENSION STYLE MM ONLY	SCALE 1:2	DESIGN UNITS METRIC	THIRD ANGLE PROJECTION	
	0	REV	DESCRIPTION	10 UNDER ± ---	10 OVER 30 UNDER ± ---	30 OVER ± ---	DRAWN BY Y. TOKUZONO	DATE 2008/10/17	TITLE TRAY FOR 5959 (2.0MM W-T-B DUAL CONN. DIP PLUG HOUSING ASS'Y)	
	ANGULAR ± --- °			DRAFT WHERE APPLICABLE MUST REMAIN WITHIN DIMENSIONS			APPROVED BY N. UKITA	DATE 2008/10/17	MOLEX INCORPORATED	DOCUMENT NO. SD-55959-001
							MATERIAL NO. 098910030	SIZE A3	THIS DRAWING CONTAINS INFORMATION THAT IS PROPRIETARY TO MOLEX INCORPORATED AND SHOULD NOT BE USED WITHOUT WRITTEN PERMISSION	

DO NOT SCALE DRAWING



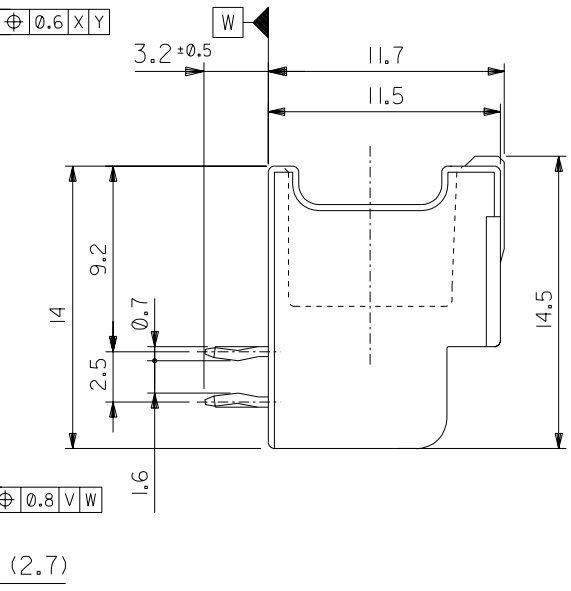
注記 NOTES

1. 材料 MATERIAL
 PIN : BRASS, TIN PLATING
 ハウジング : PBT (ガラス入り: 15%), UL94V-0
 HOUSING : PBT(G.F.: 15%), UL94V-0
2. 嵌合相手 : 51353シリーズ
 MATE WITH : 51353 SERIES
3. ソルダータールキフは、両端の8ピンのみとする。
 KINK TO BE APPLIED FOR 8 PINS AT BOTH ENDS.

△ (全極数/2) = 偶数の場合に適用。
 APPLY FOR (CIRCUIT/2)=EVEN

△ 製品番号 MATERIAL NO.
 55959-***3*
 極数 CIRCUIT SIZE 色 COLOR

ナチュラル(白) NATURAL(WHITE)	0
黒 BLACK	1
赤 RED	2
黄 YELLOW	3
青 BLUE	4
桃 PINK	5
緑 GREEN	6
茶 BROWN	7
橙 ORANGE	8
紫 VIOLET	9



41.8	38	43.4	55959-403*	40
39.8	36	41.4	-383*	38
37.8	34	39.4	-363*	36
35.8	32	37.4	-343*	34
33.8	30	35.4	-323*	32
31.8	28	33.4	-303*	30
29.8	26	31.4	-283*	28
27.8	24	29.4	-263*	26
25.8	22	27.4	-243*	24
23.8	20	25.4	-223*	22
21.8	18	23.4	-203*	20
19.8	16	21.4	-183*	18
17.8	14	19.4	-163*	16
15.8	12	17.4	-143*	14
13.8	10	15.4	-123*	12
11.8	8	13.4	-103*	10
9.8	6	11.4	55959-083*	8
C	B	A	MATERIAL NO.	CKT.

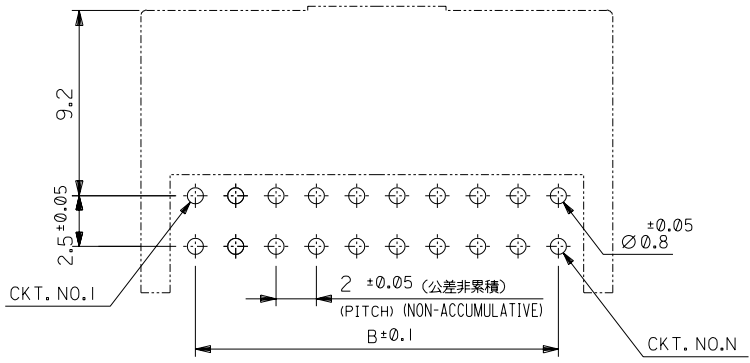
EC NO. DRWN: CHK: APPR:	EC NO. DRWN: CHK: APPR:	EC NO. DRWN: CHK: APPR:	REVISED EC NO. J2004-3728 DRWN: Y. WADA '04/04/09 CHK: M. SASAO APPR: M. SASAO	REVISED EC NO. J2003-3290 DRWN: N. ITO '03/06/26 CHK: K. ASAKAWA APPR: T. YAMAGUCHI
F		E		

MATERIAL 材料	注記参照 SEE NOTES
FINISH 仕上げ	//
WIRE RANGE 適用線径範囲	//
INS. RANGE 被覆外径	//

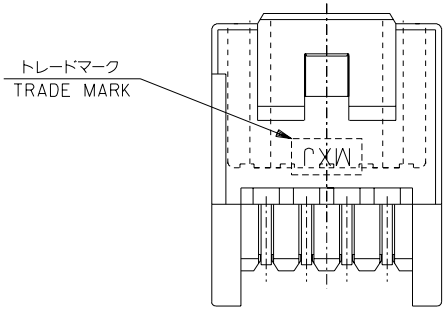
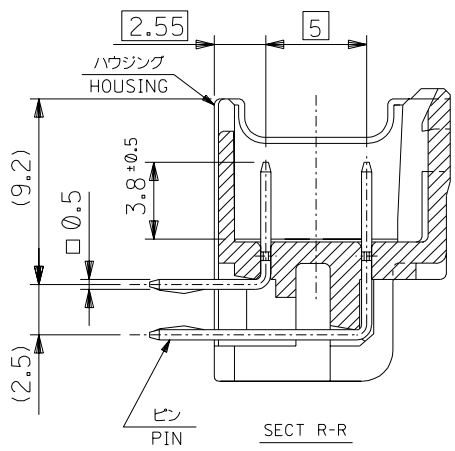
GENERAL TOLERANCES: (UNLESS SPECIFIED) 一般公差	SCALE //	DESIGN UNITS ☒ mm ☐ INCH	
10 UNDER 未満	±0.2	DRAWN BY & DATE N. ITO '02/02/24	
10 OVER 30 UNDER 未満	±0.25		CHECKED BY & DATE K. ASAKAWA '03/06/26
30 OVER 以上	±0.3		APPROVED BY & DATE T. YAMAGUCHI '03/06/26
ANGLE 角度	±3°	CAD FILENAME 55959003.S01	

55959-***3*		MODEL NO.	DIMENSIONS: THIRD ANGLE PROJECTION		SHT	REV
SCALE	DESIGN UNITS	THIRD ANGLE PROJECTION	mm INCH	mm ONLY	REVISION	CAD ONLY
TITLE: 2.0mm W-+-B DUAL CONN DIP PLUG HOUSING ASS'Y R/A (WITHOUT BOSS) -LEAD FREE-						
MOLEX INCORPORATED						
CAD FILENAME	MATERIAL NO.	DRAWING NO.	SHEET NO.		REV	
55959003.S01	SEE CHART	SD-55959-003	1 OF 3			
THIS DRAWING CONTAINS INFORMATION THAT IS PROPRIETARY TO MOLEX INCORPORATED AND SHOULD NOT BE USED WITHOUT WRITTEN PERMISSION.						
						SIZE B

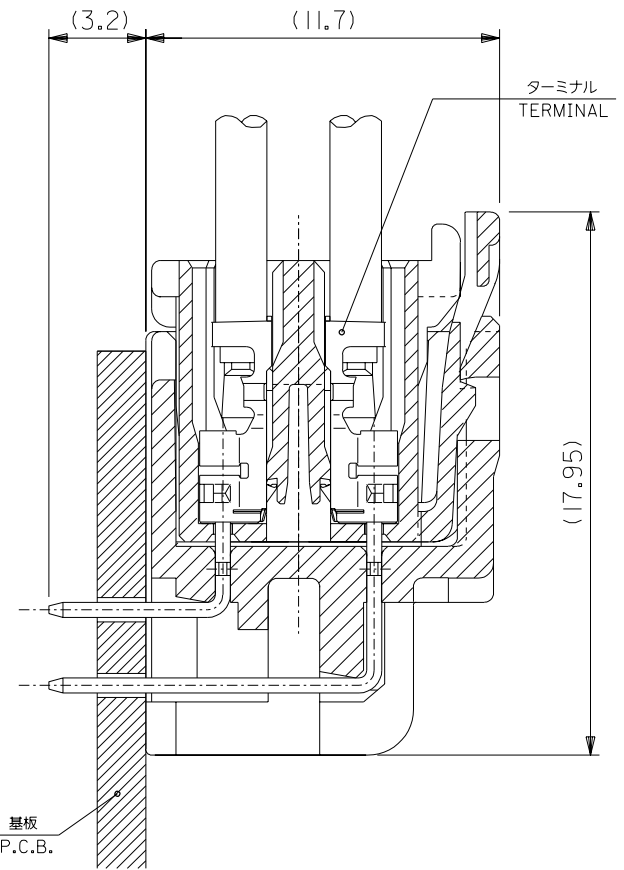
DWG. NO. SD-55959-003



基板取付穴推奨寸法 (マウント面)
 RECOMMENDED P.C.BOARD
 HOLE DIMENSION
 (MOUNTING SIDE)
 (t = 1.2, 1.6)



8 CIRCUIT



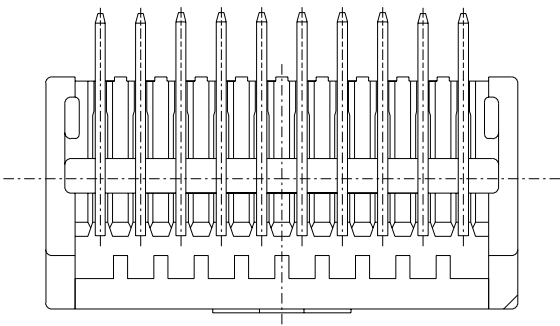
嵌合断面図 (参考)
 MATED DRAWING (REF.)

DO NOT SCALE DRAWING

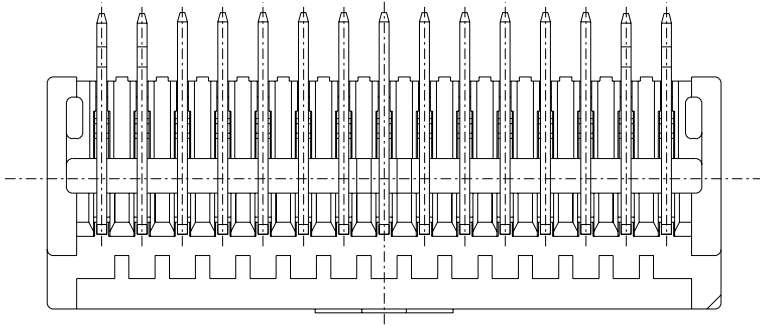
EC NO. DRWN: CHK: APPR:	EC NO. DRWN: CHK: APPR:	EC NO. DRWN: CHK: APPR:	REVISED EC NO. J2004-3728 DRWN: Y. WADA '04/04/09 CHK: M. SASAO APPR: M. SASAO	REVISED EC NO. J2003-3290 DRWN: N. ITO '03/06/26 CHK: K. ASAKAWA APPR: T. YAMAGUCHI	MATERIAL 材料 注記参照 SEE NOTES	GENERAL TOLERANCES: (UNLESS SPECIFIED) 一般公差
					FINISH 仕上げ //	10 UNDER 未満 ±0.2
					WIRE RANGE 適用 線径 範囲 //	10 OVER 30 UNDER 以上 未満 ±0.25
					INS. RANGE 被覆 外径 //	30 OVER 以上 ±0.3
						ANGLE 角度 ±3°

55959-***3*		MODEL NO.	DIMENSIONS:		SHT	REV	
SCALE //	DESIGN UNITS <input checked="" type="checkbox"/> mm <input type="checkbox"/> INCH	<input checked="" type="checkbox"/> THIRD ANGLE <input type="checkbox"/> PROJECTION	<input type="checkbox"/> mm <input type="checkbox"/> INCH	<input type="checkbox"/> mm ONLY		REVISE ON CAD ONLY	
DRAWN BY & DATE N. ITO '02/02/24		TITLE: 2.0mm W+-B DUAL CONN DIP PLUG HOUSING ASS'Y R/A (WITHOUT BOSS) -LEAD FREE-					
CHECKED BY & DATE K. ASAKAWA '03/06/26		APPROVED BY & DATE T. YAMAGUCHI '03/06/26				MOLEX INCORPORATED	
CAD FILENAME 55959003.S02	MATERIAL NO. SEE CHART	DRAWING NO. SD-55959-003	SHEET NO. 2 OF 3				
THIS DRAWING CONTAINS INFORMATION THAT IS PROPRIETARY TO MOLEX INCORPORATED AND SHOULD NOT BE USED WITHOUT WRITTEN PERMISSION.						SIZE B	

DWG. NO. SD-55959-003

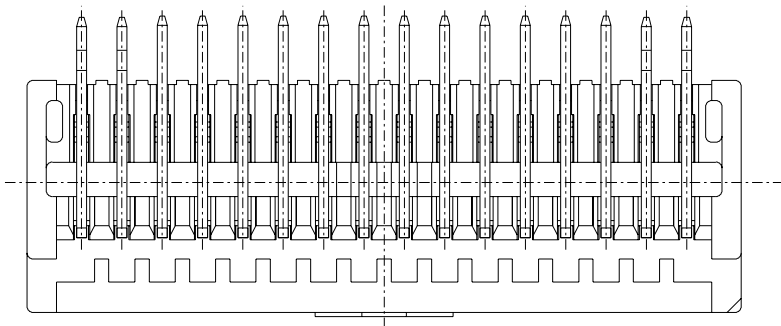


8-20 CIRCUIT



22,26,30,34,38 CIRCUIT

VIEW "T"



24,28,32,36,40 CIRCUIT

DO NOT SCALE DRAWING

EC NO. DRWN: CHK: APPR:	EC NO. DRWN: CHK: APPR:	EC NO. DRWN: CHK: APPR:	REVISED	EC NO. J2003-3290 DRWN:N.ITO '03/06/26 CHK: K.ASAKAWA APPR:T.YAMAGUCHI	MATERIAL 材料 注記参照 SEE NOTES	GENERAL TOLERANCES: (UNLESS SPECIFIED) 一般公差	55959-***3*		MODEL NO.	DIMENSIONS:	SHT	REV
			EC NO. J2004-3728 DRWN:Y.WADA '04/04/09 CHK: M.SASAO APPR:M.SASAO				FINISH 仕上り //	10 UNDER 未満 ±0.2	SCALE //	DESIGN UNITS <input checked="" type="checkbox"/> mm <input type="checkbox"/> INCH	<input type="checkbox"/> mm <input type="checkbox"/> INCH <input checked="" type="checkbox"/> mm ONLY	
			REVISED			10 OVER 30 UNDER 以上 未満 ±0.25	DRAWN BY & DATE N.ITO '02/02/24	THIRD ANGLE PROJECTION		TITLE: 2.0mm W+-B DUAL CONN DIP PLUG HOUSING ASS'Y R/A (WITHOUT BOSS) -LEAD FREE-		
						30 OVER 以上 ±0.3	CHECKED BY & DATE K.ASAKAWA '03/06/26	<input checked="" type="checkbox"/> mm <input type="checkbox"/> INCH		MOLEX INCORPORATED		
						ANGLE 角度 ±3°	APPROVED BY & DATE T.YAMAGUCHI '03/06/26	<input type="checkbox"/> mm <input type="checkbox"/> INCH		MATERIAL NO. SEE CHART		
							CAD FILENAME 55959003.S03	<input type="checkbox"/> mm <input type="checkbox"/> INCH		DRAWING NO. SD-55959-003		
								<input type="checkbox"/> mm <input type="checkbox"/> INCH		SHEET NO. 3 OF 3		
								<input type="checkbox"/> mm <input type="checkbox"/> INCH		THIS DRAWING CONTAINS INFORMATION THAT IS PROPRIETARY TO MOLEX INCORPORATED AND SHOULD NOT BE USED WITHOUT WRITTEN PERMISSION.		
								<input type="checkbox"/> mm <input type="checkbox"/> INCH		SIZE B		