

FEATURES AND SPECIFICATIONS

Features and Benefits

- Leaf-style contact design prevents damage to contacts during mating and unmating
- Highly reliable contact interface
- Trapezoidal-shaped housing provides polarization
- Fitting nails increase retention to board
- Options include polarizing pegs and pick-and-place cover

Reference Information

Product Specification: PS-87433-0001
 Packaging: Tube or embossed tape and reel
 Mates With: 87433 receptacle
 Designed In: Millimeters

Electrical

Voltage: 125V
 Current: 1.0A
 Contact Resistance: 30mΩ max.
 Dielectric Withstanding Voltage: 500V AC
 Insulation Resistance: 1000 MΩ min.

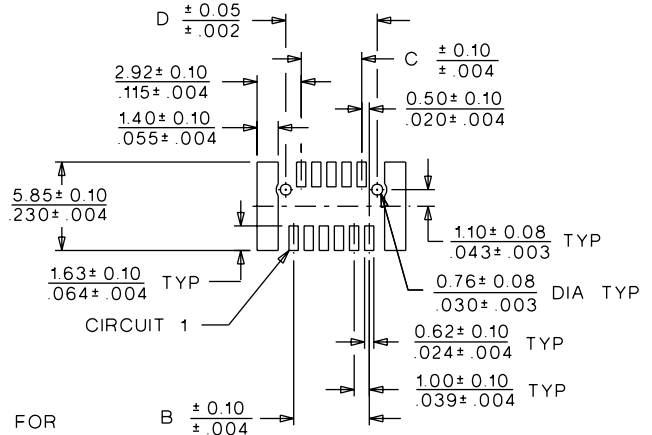
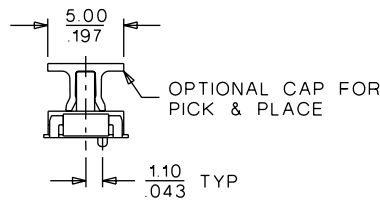
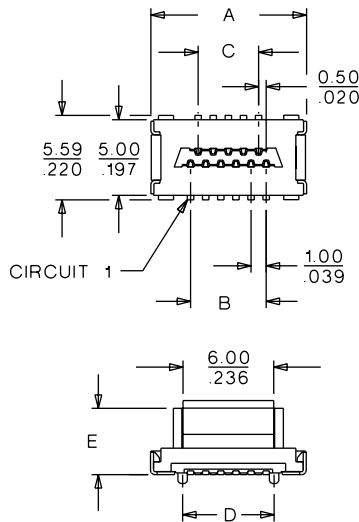
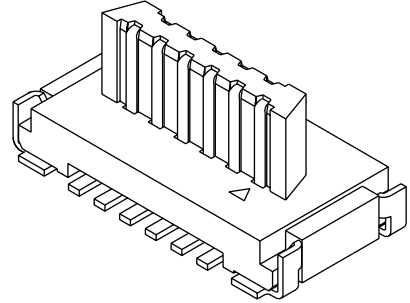
Physical

Housing: High-temperature thermoplastic, UL 94V-0
 Contact: Phosphor Bronze
 Plating: 30μm (0.76μm min.) select Gold
 Temperature: -30 to +85°C

molex® 1.00mm (.039") Pitch ZYTON™ Stacking System Board-to-Board Plug

87436

SMT, Dual Row Vertical Stacking



PCB LAYOUT: COMPONENT SIDE

ORDERING INFORMATION AND DIMENSIONS

Circuits	Order No.		Dimension			
	5.00mm Stacked Height E=4.47 (.176)	7.00mm Stacked Height E=6.47 (.255)	A	B	C	D
9	87436-05*5	87436-05*7	9.30 (.366)	4.00 (.157)	3.00 (.118)	5.05 (.199)
11	87436-06*5	87436-06*7	10.30 (.406)	5.00 (.197)	4.00 (.157)	6.05 (.238)
15	87436-08*5	87436-08*7	12.30 (.484)	7.00 (.276)	6.00 (.236)	8.05 (.317)
21	87436-11*5	87436-11*7	15.30 (.602)	10.00 (.394)	9.00 (.354)	11.05 (.435)
25	87436-13*5	87436-13*7	17.30 (.681)	12.00 (.472)	11.00 (.433)	13.05 (.514)
31	87436-16*5	87436-16*7	20.30 (.799)	15.00 (.591)	14.00 (.551)	16.05 (.632)
41	87436-21*5	87436-21*7	25.30 (.996)	20.00 (.787)	19.00 (.748)	21.05 (.829)
51	87436-26*5	87436-26*7	30.30 (1.193)	25.00 (.984)	24.00 (.945)	26.05 (1.026)
69	87436-35*5	87436-35*7	39.30 (1.547)	34.00 (1.339)	33.00 (1.299)	35.05 (1.380)

Replace (*) with options desired

Note: * For Polarizing Pegs, Cover and Packaging Options			
*	Pegs	Cover	Packaging
2	No	No	Tube
3	2	No	Tube
4	No	Yes	Tube
5	2	Yes	Tube
6	No	No	Reel
7	2	No	Reel
8	No	Yes	Reel
9	2	Yes	Reel