

**PLEASE CHECK WWW.MOLEX.COM FOR LATEST PART INFORMATION**

**Part Number:** [0877823009](#)  
**Status:** **Active**  
**Description:** 0.60mm (.024") Pitch miniDIMM DDR3 Socket, Vertical, SMT, 0.76µm (30µ") Gold (Au) over Nickel, 1.5V, with Pick and Place Cover, 244 Circuits, Type D Tray, Lead free

**Documents:**

[3D Model](#) [Product Specification PS-87782-027 \(PDF\)](#)  
[Drawing \(PDF\)](#) [RoHS Certificate of Compliance \(PDF\)](#)

**General**

|                |  |
|----------------|--|
| Product Family | Memory Module Sockets                      |
| Series         | <a href="#">87782</a>                      |
| Comments       | <LI>Latches in Off-White Color<LI>With Cap |
| Component Type | Socket                                     |
| JEDEC Outline  | MO-244                                     |
| Product Name   | MiniDIMM                                   |

**Physical**

|                                |                                |
|--------------------------------|--------------------------------|
| Circuits (Loaded)              | 244                            |
| Color - Resin                  | Black                          |
| Durability (mating cycles max) | 25                             |
| Entry Angle                    | Vertical (Top Entry)           |
| Keying to Mating Part          | Yes                            |
| Material - Metal               | Copper Alloy                   |
| Material - Plating Mating      | Gold                           |
| Material - Plating Termination | Tin                            |
| Material - Resin               | High Temperature Thermoplastic |
| PCB Locator                    | Yes                            |
| PCB Retention                  | Yes                            |
| Packaging Type                 | Tray                           |
| Pitch - Mating Interface (in)  | 0.024 In                       |
| Pitch - Mating Interface (mm)  | 0.60 mm                        |
| Pitch - Term. Interface (in)   | 0.024 In                       |
| Pitch - Term. Interface (mm)   | 0.60 mm                        |
| Plating min: Mating (µin)      | 30                             |
| Plating min: Mating (µm)       | 0.76                           |
| Plating min: Termination (µin) | 100                            |
| Plating min: Termination (µm)  | 2.54                           |
| Temperature Range - Operating  | -55°C to +85°C                 |
| Termination Interface: Style   | Surface Mount                  |

**Electrical**

|                               |           |
|-------------------------------|-----------|
| Current - Maximum per Contact | 1A        |
| Voltage - Maximum             | 30V (RMS) |
| Voltage Key                   | 1.5V      |

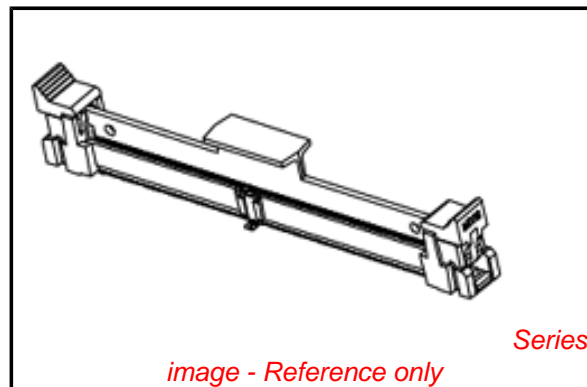
**Solder Process Data**

|  |                              |
|--|------------------------------|
| Duration at Max. Process Temperature (seconds) | 5                            |
| Lead-free Process Capability                   | SMC & Wave Capable (TH only) |
| Max. Cycles at Max. Process Temperature        | 2                            |
| Process Temperature max. C                     | 260                          |

**Material Info**

**Reference - Drawing Numbers**

|                           |              |
|---------------------------|--------------|
| Application Specification | AS-87782-001 |
| Product Specification     | PS-87782-027 |



**EU RoHS**

**ELV and RoHS Compliant**  
**REACH SVHC**  
 Not Reviewed  
**Halogen-Free Status**  
**Not Reviewed**

**China RoHS**



**Need more information on product environmental compliance?**

Email [productcompliance@molex.com](mailto:productcompliance@molex.com)  
 For a multiple part number RoHS Certificate of Compliance, [click here](#)

Please visit the [Contact Us](#) section for any non-product compliance questions.

**Search Parts in this Series**

[87782Series](#)

**Mates With**

JEDEC MO-244 Modules

This document was generated on 05/20/2010

**PLEASE CHECK [WWW.MOLEX.COM](http://WWW.MOLEX.COM) FOR LATEST PART INFORMATION**

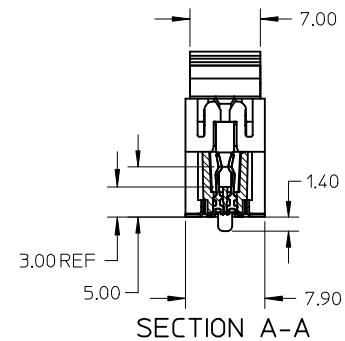
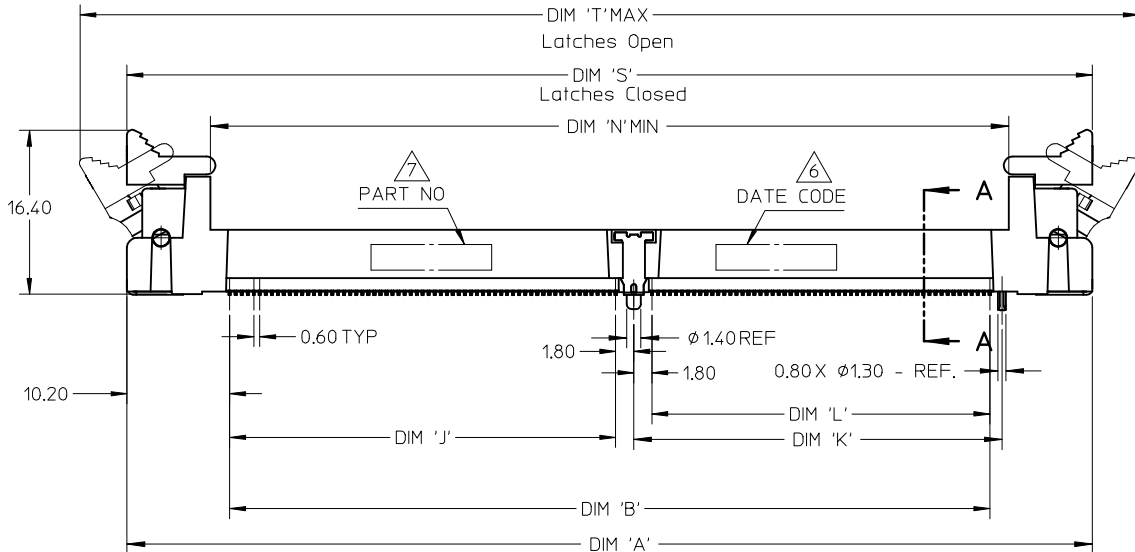
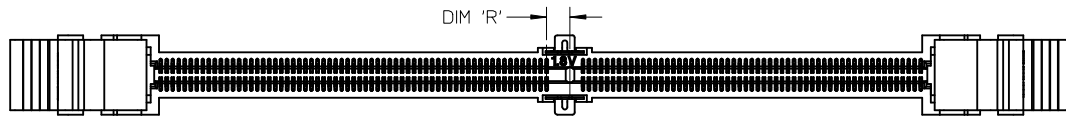
NOTES :

1. MATERIAL :
  - HOUSING : LIQUID CRYSTAL POLYMER, GLASS FILLED, UL 94V-0, COLOUR : BLACK
  - CONTACTS : COPPER ALLOY
  - LATCHES : HIGH TEMPERATURE NYLON, UL 94V-0 COLOUR : NATURAL (OFF-WHITE)

2. FINISH
  - CONTACT AREA : 0.76 MICROMETER (30 MICROINCH) MIN GOLD OVER
  - 1.25 MICROMETER (50 MICROINCH) MIN NICKEL
  - SMT TAIL : 2.54 MICROMETER (100 MICROINCH) MIN TIN OVER
  - 1.25 MICROMETER (50 MICROINCH) MIN NICKEL.
3. ACCEPTS 1.0 mm THICK MEMORY MODULE PER JEDEC MO-244 FOR 244 CKTS AND MO-258 FOR 200 CKTS.
4. PRODUCT SPECIFICATION : PS-87782-027
5. PRODUCT SHALL BE PACKED IN TRAY. PLS REFER TO SHEET 5

6. DATE CODE SHALL BE MARKED LEGIBLY AS SHOWN : YYDD

7. PART NUMBER SHALL BE MARKED LEGIBLY AS SHOWN. 87782-XXXX (REFER TO TABLE)



|  |  |                                       |  |  |  |  |              |   |  |  |  |
|--|--|---------------------------------------|--|--|--|--|--------------|---|--|--|--|
| NEW COVER<br>EC NO: S2010-0004<br>DRWN: TARUNUGHAM 2009/08/12<br>CHKD: CGTAN 2009/08/12<br>APPR: SILENI 2009/08/17 | DESCRIPTION<br>QUALITY SYMBOLS<br>▽=0<br>◻=0 | GENERAL TOLERANCES (UNLESS SPECIFIED) |  | DIMENSION STYLE<br>MM ONLY                                 |  | SCALE  | DESIGN UNITS | THIRD ANGLE PROJECTION                            |  |  |  |
|  |  |                                       |  |  |  | NTS  | METRIC       |   |  |  |  |
|  |  |                                       |  |  |  | DRAWN BY DATE  |              | TITLE   |  |  |  |
|  |  |                                       |  |  |  | CHECKED BY DATE  |              | MINI DIMM, 0.60MM PITCH<br>200/244 CKTS, VERTICAL |  |  |  |
|  |  |                                       |  | APPROVED BY DATE   |  | MOLEX INCORPORATED   |              |   |  |  |  |
|  |  |                                       |  | SKTOH 2003/07/17   |  | DOCUMENT NO.   |              | SD-87782-001                                      |  |  |  |
|  |  |                                       |  | MATERIAL NO.   |  | SEE TABLE  |              | SHEET NO.   |  |  |  |
|  |  |                                       |  | ANGULAR ± 1 °  |  |  |              | 1 OF 6  |  |  |  |
|  |  |                                       |  | DRAFT WHERE APPLICABLE<br>MUST REMAIN<br>WITHIN DIMENSIONS |  |  |              |   |  |  |  |
|  |  |                                       |  | SIZE<br>A3   |  | THIS DRAWING CONTAINS INFORMATION THAT IS PROPRIETARY TO MOLEX<br>INCORPORATED AND SHOULD NOT BE USED WITHOUT WRITTEN PERMISSION |              |   |  |  |  |

10 9 8 7 6 5 4 3 2 1

F

E

D

C

B

A

F

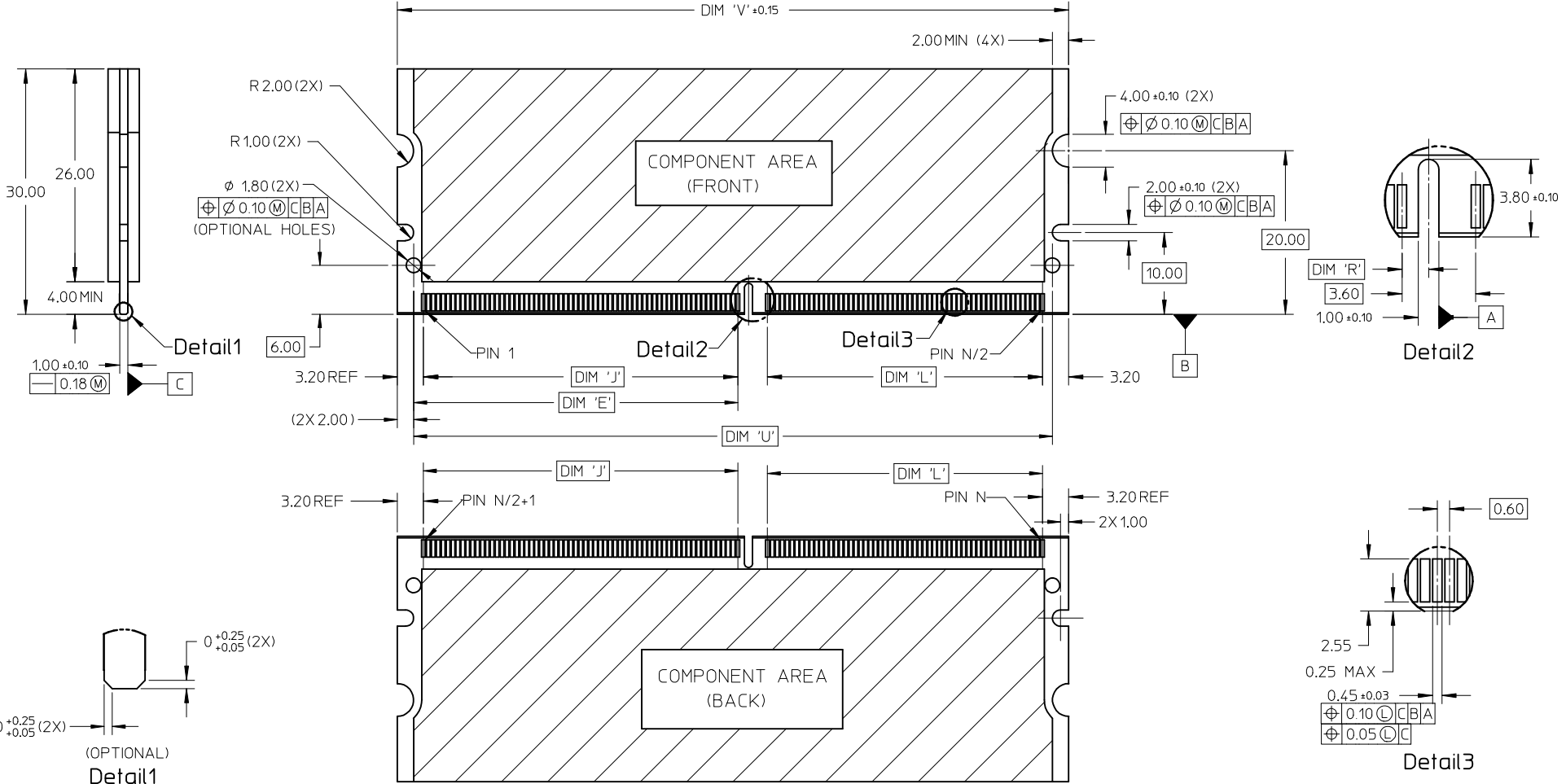
E

D

C

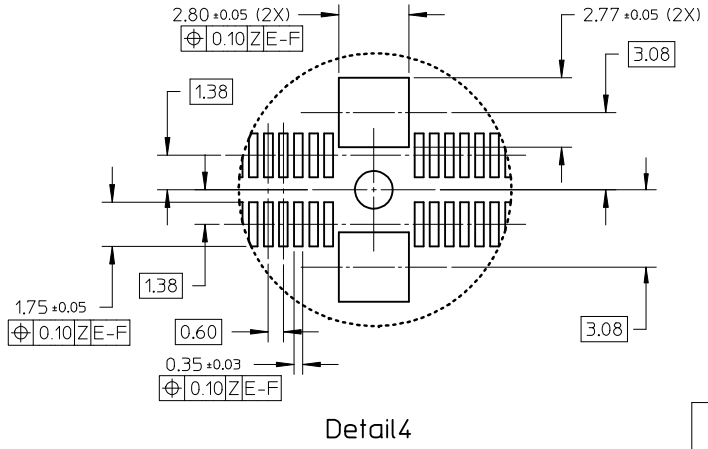
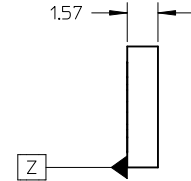
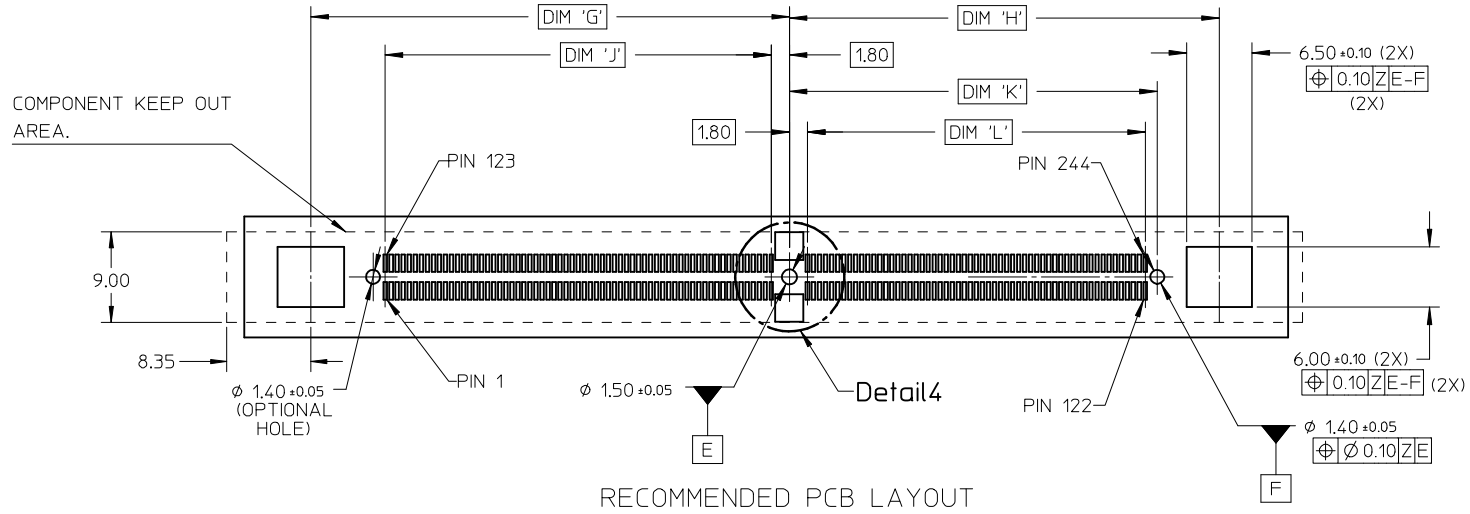
B

A



| <b>NEW COVER</b><br>EC NO: S2010-0004<br>DRWN: TARUUGHAM 2009/08/12<br>CHKD: CGTAN 2009/08/12<br>APPR: SILENI 2009/08/17 | QUALITY SYMBOLS<br>▽=0<br>◻=0                              | GENERAL TOLERANCES (UNLESS SPECIFIED)<br><table border="1"> <thead> <tr> <th></th> <th>mm</th> <th>INCH</th> </tr> </thead> <tbody> <tr> <td>4 PLACES</td> <td>± ---</td> <td>± ---</td> </tr> <tr> <td>3 PLACES</td> <td>± ---</td> <td>± ---</td> </tr> <tr> <td>2 PLACES</td> <td>± 0.13</td> <td>± ---</td> </tr> <tr> <td>1 PLACE</td> <td>± 0.25</td> <td>± ---</td> </tr> </tbody> </table> |                    | mm  | INCH                                | 4 PLACES                   | ± --- | ± --- | 3 PLACES | ± --- | ± --- | 2 PLACES | ± 0.13 | ± --- | 1 PLACE | ± 0.25 | ± --- | DIMENSION STYLE<br><b>MM ONLY</b> | SCALE<br><b>NTS</b> | DESIGN UNITS<br><b>METRIC</b> | THIRD ANGLE PROJECTION |
|--|--|--|--------------------|---|-------------------------------------|----------------------------|-------|-------|----------|-------|-------|----------|--------|-------|---------|--------|-------|-----------------------------------|---------------------|-------------------------------|------------------------|
|  |  | mm   | INCH               |   |                                     |                            |       |       |          |       |       |          |        |       |         |        |       |                                   |                     |                               |                        |
|  | 4 PLACES   | ± ---  | ± ---              |   |                                     |                            |       |       |          |       |       |          |        |       |         |        |       |                                   |                     |                               |                        |
|  | 3 PLACES   | ± ---  | ± ---              |   |                                     |                            |       |       |          |       |       |          |        |       |         |        |       |                                   |                     |                               |                        |
| 2 PLACES   | ± 0.13   | ± ---  |                    |   |                                     |                            |       |       |          |       |       |          |        |       |         |        |       |                                   |                     |                               |                        |
| 1 PLACE  | ± 0.25   | ± ---  |                    |   |                                     |                            |       |       |          |       |       |          |        |       |         |        |       |                                   |                     |                               |                        |
| DESCRIPTION<br>REV   | DRAFT WHERE APPLICABLE<br>MUST REMAIN<br>WITHIN DIMENSIONS | DRAWN BY<br>MLONG  | DATE<br>2003/01/07 | TITLE<br><b>MINI DIMM, 0.60MM PITCH<br/>         200/244 CKTS, VERTICAL</b> |                                     |                            |       |       |          |       |       |          |        |       |         |        |       |                                   |                     |                               |                        |
|  |  | CHECKED BY<br>PTLIM  | DATE<br>2003/07/16 | <b>MOLEX</b> MOLEX INCORPORATED   |                                     |                            |       |       |          |       |       |          |        |       |         |        |       |                                   |                     |                               |                        |
|  |  | APPROVED BY<br>SKTOH   | DATE<br>2003/07/17 | MATERIAL NO.<br><b>SEE TABLE</b>  | DOCUMENT NO.<br><b>SD-87782-001</b> | SHEET NO.<br><b>2 OF 6</b> |       |       |          |       |       |          |        |       |         |        |       |                                   |                     |                               |                        |

9 8 7 6 5 4 3 2 1

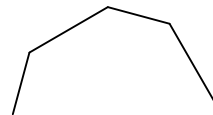
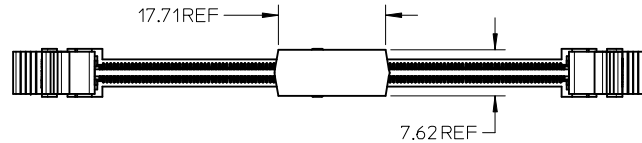
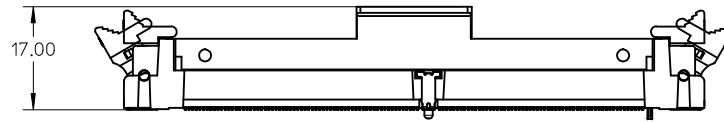


RECOMMENDED PCB LAYOUT

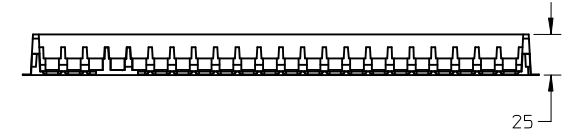
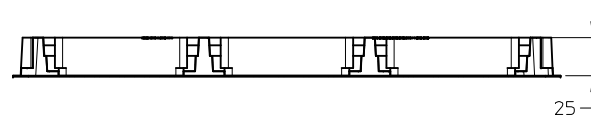
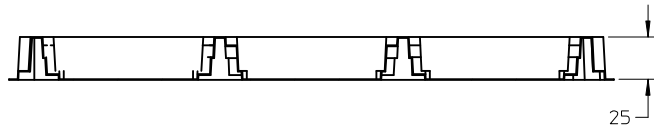
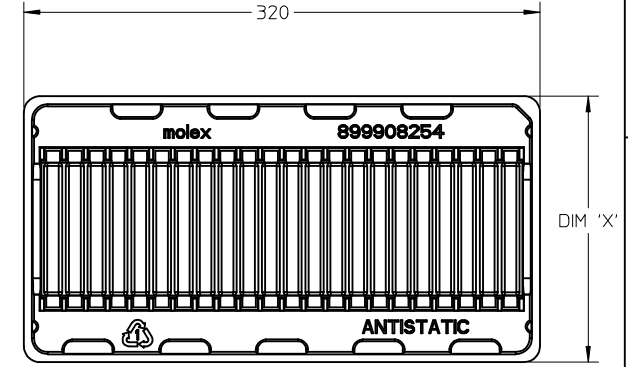
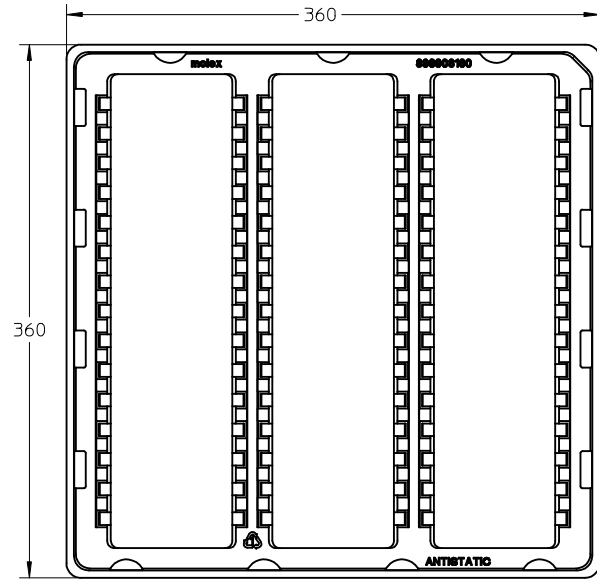
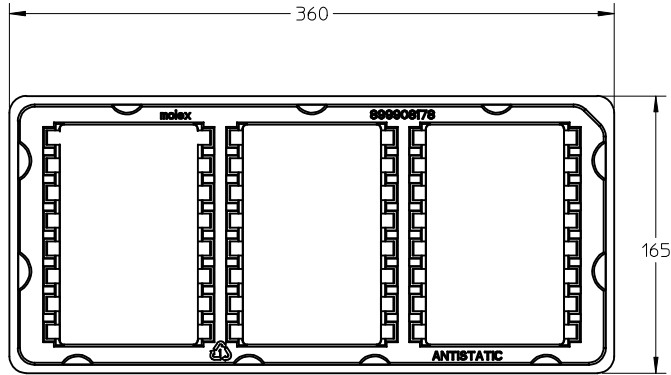
Detail 4

|   |  |  |  |   |  |  |                     |  |
|---|--|--|--|---|--|--|---------------------|--|
| <b>NEW COVER</b><br>EC NO: S2010-0004<br>DRWN: TARUMUGHAM 2009/08/12<br>CHKD: CGTAN 2009/08/12<br>APPR: SILENI 2009/08/17 | QUALITY SYMBOLS<br>▽=0<br>Ⓢ=0                        | GENERAL TOLERANCES (UNLESS SPECIFIED)<br>mm INCH<br>4 PLACES ± --- ± ---<br>3 PLACES ± --- ± ---<br>2 PLACES ± 0.13 ± ---<br>1 PLACE ± 0.25 ± ---<br>ANGULAR ± 1 ° | DIMENSION STYLE<br>MM ONLY<br>DRAWN BY DATE<br>MLONG 2003/01/07<br>CHECKED BY DATE<br>PTLIM 2003/07/16<br>APPROVED BY DATE<br>SKTOH 2003/07/17<br>MATERIAL NO. | SCALE<br>NTS<br>DESIGN UNITS<br>METRIC<br>THIRD ANGLE PROJECTION  | TITLE<br>MINI DIMM, 0.60MM PITCH<br>200/244 CKTS, VERTICAL | MOLEX INCORPORATED<br>DOCUMENT NO.<br>SD-87782-001 | SHEET NO.<br>3 OF 6 |  |
|   | DRAFT WHERE APPLICABLE MUST REMAIN WITHIN DIMENSIONS |  | SEE TABLE  | THIS DRAWING CONTAINS INFORMATION THAT IS PROPRIETARY TO MOLEX INCORPORATED AND SHOULD NOT BE USED WITHOUT WRITTEN PERMISSION |  |  |                     |  |
|   | SIZE<br>A3   |  |  |   |  |  |                     |  |
|   |  |  |  |   |  |  |                     |  |

FOR OPTIONS WITH COVER



| NEW COVER<br>EC NO: S2010-0004<br>DRWN: TARUMUGHAM 2009/08/12<br>CHKD: CGTAN 2009/08/12<br>APPR: SHLENI 2009/08/17 | QUALITY SYMBOLS   | GENERAL TOLERANCES (UNLESS SPECIFIED)   | DIMENSION STYLE           | SCALE | DESIGN UNITS | THIRD ANGLE PROJECTION |       |          |          |       |          |          |        |         |         |        |   |          |      |        |       |            |   |            |      |        |            |                    |             |      |       |            |              |
|--|---|---|---------------------------|-------|--------------|------------------------|-------|----------|----------|-------|----------|----------|--------|---------|---------|--------|---|----------|------|--------|-------|------------|---|------------|------|--------|------------|--------------------|-------------|------|-------|------------|--------------|
|  | ▼=0<br>□=0  | <table border="1"> <thead> <tr> <th></th> <th>mm</th> <th>INCH</th> </tr> </thead> <tbody> <tr> <td>4 PLACES</td> <td>± ---</td> <td>± ---</td> </tr> <tr> <td>3 PLACES</td> <td>± ---</td> <td>± ---</td> </tr> <tr> <td>2 PLACES</td> <td>± 0.13</td> <td>± ---</td> </tr> <tr> <td>1 PLACE</td> <td>± 0.25</td> <td>± ---</td> </tr> </tbody> </table> |                           | mm    | INCH         | 4 PLACES               | ± --- | ± ---    | 3 PLACES | ± --- | ± ---    | 2 PLACES | ± 0.13 | ± ---   | 1 PLACE | ± 0.25 | ± ---   | MM ONLY  | NTS  | METRIC |       |            |   |            |      |        |            |                    |             |      |       |            |              |
|  |   | mm  | INCH                      |       |              |                        |       |          |          |       |          |          |        |         |         |        |   |          |      |        |       |            |   |            |      |        |            |                    |             |      |       |            |              |
|  | 4 PLACES  | ± ---   | ± ---                     |       |              |                        |       |          |          |       |          |          |        |         |         |        |   |          |      |        |       |            |   |            |      |        |            |                    |             |      |       |            |              |
| 3 PLACES   | ± ---   | ± ---   |                           |       |              |                        |       |          |          |       |          |          |        |         |         |        |   |          |      |        |       |            |   |            |      |        |            |                    |             |      |       |            |              |
| 2 PLACES   | ± 0.13  | ± ---   |                           |       |              |                        |       |          |          |       |          |          |        |         |         |        |   |          |      |        |       |            |   |            |      |        |            |                    |             |      |       |            |              |
| 1 PLACE  | ± 0.25  | ± ---   |                           |       |              |                        |       |          |          |       |          |          |        |         |         |        |   |          |      |        |       |            |   |            |      |        |            |                    |             |      |       |            |              |
| DESCRIPTION  | <table border="1"> <thead> <tr> <th></th> <th>mm</th> <th>INCH</th> </tr> </thead> <tbody> <tr> <td>4 PLACES</td> <td>± ---</td> <td>± ---</td> </tr> <tr> <td>3 PLACES</td> <td>± ---</td> <td>± ---</td> </tr> <tr> <td>2 PLACES</td> <td>± 0.13</td> <td>± ---</td> </tr> <tr> <td>1 PLACE</td> <td>± 0.25</td> <td>± ---</td> </tr> </tbody> </table> |   | mm                        | INCH  | 4 PLACES     | ± ---                  | ± --- | 3 PLACES | ± ---    | ± --- | 2 PLACES | ± 0.13   | ± ---  | 1 PLACE | ± 0.25  | ± ---  | <table border="1"> <thead> <tr> <th>DRAWN BY</th> <th>DATE</th> <th>TITLE</th> </tr> </thead> <tbody> <tr> <td>MLONG</td> <td>2003/01/07</td> <td rowspan="2">MINI DIMM, 0.60MM PITCH<br/>200/244 CKTS, VERTICAL</td> </tr> <tr> <td>CHECKED BY</td> <td>DATE</td> </tr> <tr> <td>PTL IM</td> <td>2003/07/16</td> <td rowspan="2">MOLEX INCORPORATED</td> </tr> <tr> <td>APPROVED BY</td> <td>DATE</td> </tr> <tr> <td>SKTOH</td> <td>2003/07/17</td> <td>DOCUMENT NO.</td> </tr> </tbody> </table> | DRAWN BY | DATE | TITLE  | MLONG | 2003/01/07 | MINI DIMM, 0.60MM PITCH<br>200/244 CKTS, VERTICAL | CHECKED BY | DATE | PTL IM | 2003/07/16 | MOLEX INCORPORATED | APPROVED BY | DATE | SKTOH | 2003/07/17 | DOCUMENT NO. |
|  | mm  | INCH  |                           |       |              |                        |       |          |          |       |          |          |        |         |         |        |   |          |      |        |       |            |   |            |      |        |            |                    |             |      |       |            |              |
| 4 PLACES   | ± ---   | ± ---   |                           |       |              |                        |       |          |          |       |          |          |        |         |         |        |   |          |      |        |       |            |   |            |      |        |            |                    |             |      |       |            |              |
| 3 PLACES   | ± ---   | ± ---   |                           |       |              |                        |       |          |          |       |          |          |        |         |         |        |   |          |      |        |       |            |   |            |      |        |            |                    |             |      |       |            |              |
| 2 PLACES   | ± 0.13  | ± ---   |                           |       |              |                        |       |          |          |       |          |          |        |         |         |        |   |          |      |        |       |            |   |            |      |        |            |                    |             |      |       |            |              |
| 1 PLACE  | ± 0.25  | ± ---   |                           |       |              |                        |       |          |          |       |          |          |        |         |         |        |   |          |      |        |       |            |   |            |      |        |            |                    |             |      |       |            |              |
| DRAWN BY   | DATE  | TITLE   |                           |       |              |                        |       |          |          |       |          |          |        |         |         |        |   |          |      |        |       |            |   |            |      |        |            |                    |             |      |       |            |              |
| MLONG  | 2003/01/07  | MINI DIMM, 0.60MM PITCH<br>200/244 CKTS, VERTICAL   |                           |       |              |                        |       |          |          |       |          |          |        |         |         |        |   |          |      |        |       |            |   |            |      |        |            |                    |             |      |       |            |              |
| CHECKED BY   | DATE  |   |                           |       |              |                        |       |          |          |       |          |          |        |         |         |        |   |          |      |        |       |            |   |            |      |        |            |                    |             |      |       |            |              |
| PTL IM   | 2003/07/16  | MOLEX INCORPORATED  |                           |       |              |                        |       |          |          |       |          |          |        |         |         |        |   |          |      |        |       |            |   |            |      |        |            |                    |             |      |       |            |              |
| APPROVED BY  | DATE  |   |                           |       |              |                        |       |          |          |       |          |          |        |         |         |        |   |          |      |        |       |            |   |            |      |        |            |                    |             |      |       |            |              |
| SKTOH  | 2003/07/17  | DOCUMENT NO.  |                           |       |              |                        |       |          |          |       |          |          |        |         |         |        |   |          |      |        |       |            |   |            |      |        |            |                    |             |      |       |            |              |
| REV  | ANGULAR ± 1 °<br>DRAFT WHERE APPLICABLE<br>MUST REMAIN<br>WITHIN DIMENSIONS   | SEE TABLE<br>MATERIAL NO.   | SD-87782-001<br>SHEET NO. |       |              |                        |       |          |          |       |          |          |        |         |         |        |   |          |      |        |       |            |   |            |      |        |            |                    |             |      |       |            |              |



TRAY TYPE A  
 QTY OF CAVITY: 3 X 8 = 24 PCS  
 COLOUR: TRANSPARENT

TRAY TYPE B  
 QTY OF CAVITY: 3 X 15 = 45 PCS  
 COLOUR: TRANSPARENT

TRAY TYPE AND COLOUR - SEE TABLE  
 QTY OF CAVITY: 1 X 22 = 22 PCS  
 COLOUR - SEE TABLE

| TRAY TYPE | DIM 'X' | TRAY COLOUR |
|-----------|---------|-------------|
| C         | 165     | TRANSPARENT |
| D         | 160     | WHITE       |

|   |  |   |            |                            |   |              |                        |                        |          |       |       |          |        |       |         |        |       |  |          |      |       |            |            |      |        |            |             |      |       |            |  |  |                           |  |                              |  |                     |  |
|---|--|---|------------|----------------------------|---|--------------|------------------------|------------------------|----------|-------|-------|----------|--------|-------|---------|--------|-------|--|----------|------|-------|------------|------------|------|--------|------------|-------------|------|-------|------------|--|--|---------------------------|--|------------------------------|--|---------------------|--|
| <b>NEW COVER</b><br>EC NO: S2010-0004<br>DRWN: TARUMUGHAM 2009/08/12<br>CHKD: CGTAN 2009/08/12<br>APPR: SHLENI 2009/08/17 | QUALITY SYMBOLS  | GENERAL TOLERANCES (UNLESS SPECIFIED)   |            | DIMENSION STYLE<br>MM ONLY |   | SCALE<br>NTS | DESIGN UNITS<br>METRIC | THIRD ANGLE PROJECTION |          |       |       |          |        |       |         |        |       |  |          |      |       |            |            |      |        |            |             |      |       |            |  |  |                           |  |                              |  |                     |  |
|   | = 0<br>= 0   | <table border="1"> <tr> <td></td> <td>mm</td> <td>INCH</td> </tr> <tr> <td>4 PLACES</td> <td>± ---</td> <td>± ---</td> </tr> <tr> <td>3 PLACES</td> <td>± ---</td> <td>± ---</td> </tr> <tr> <td>2 PLACES</td> <td>± 0.13</td> <td>± ---</td> </tr> <tr> <td>1 PLACE</td> <td>± 0.25</td> <td>± ---</td> </tr> </table> |            | mm                         | INCH  | 4 PLACES     | ± ---                  | ± ---                  | 3 PLACES | ± --- | ± --- | 2 PLACES | ± 0.13 | ± --- | 1 PLACE | ± 0.25 | ± --- | <table border="1"> <tr> <td>DRAWN BY</td> <td>DATE</td> </tr> <tr> <td>MLONG</td> <td>2003/01/07</td> </tr> <tr> <td>CHECKED BY</td> <td>DATE</td> </tr> <tr> <td>PTL IM</td> <td>2003/07/16</td> </tr> <tr> <td>APPROVED BY</td> <td>DATE</td> </tr> <tr> <td>SKTOH</td> <td>2003/07/17</td> </tr> </table> | DRAWN BY | DATE | MLONG | 2003/01/07 | CHECKED BY | DATE | PTL IM | 2003/07/16 | APPROVED BY | DATE | SKTOH | 2003/07/17 | TITLE<br>MINI DIMM, 0.60MM PITCH<br>200/244 CKTS, VERTICAL |  | MATERIAL NO.<br>SEE TABLE |  | DOCUMENT NO.<br>SD-87782-001 |  | SHEET NO.<br>5 OF 6 |  |
|   |  | mm  | INCH       |                            |   |              |                        |                        |          |       |       |          |        |       |         |        |       |  |          |      |       |            |            |      |        |            |             |      |       |            |  |  |                           |  |                              |  |                     |  |
|   | 4 PLACES   | ± ---   | ± ---      |                            |   |              |                        |                        |          |       |       |          |        |       |         |        |       |  |          |      |       |            |            |      |        |            |             |      |       |            |  |  |                           |  |                              |  |                     |  |
| 3 PLACES  | ± ---  | ± ---   |            |                            |   |              |                        |                        |          |       |       |          |        |       |         |        |       |  |          |      |       |            |            |      |        |            |             |      |       |            |  |  |                           |  |                              |  |                     |  |
| 2 PLACES  | ± 0.13   | ± ---   |            |                            |   |              |                        |                        |          |       |       |          |        |       |         |        |       |  |          |      |       |            |            |      |        |            |             |      |       |            |  |  |                           |  |                              |  |                     |  |
| 1 PLACE   | ± 0.25   | ± ---   |            |                            |   |              |                        |                        |          |       |       |          |        |       |         |        |       |  |          |      |       |            |            |      |        |            |             |      |       |            |  |  |                           |  |                              |  |                     |  |
| DRAWN BY  | DATE   |   |            |                            |   |              |                        |                        |          |       |       |          |        |       |         |        |       |  |          |      |       |            |            |      |        |            |             |      |       |            |  |  |                           |  |                              |  |                     |  |
| MLONG   | 2003/01/07   |   |            |                            |   |              |                        |                        |          |       |       |          |        |       |         |        |       |  |          |      |       |            |            |      |        |            |             |      |       |            |  |  |                           |  |                              |  |                     |  |
| CHECKED BY  | DATE   |   |            |                            |   |              |                        |                        |          |       |       |          |        |       |         |        |       |  |          |      |       |            |            |      |        |            |             |      |       |            |  |  |                           |  |                              |  |                     |  |
| PTL IM  | 2003/07/16   |   |            |                            |   |              |                        |                        |          |       |       |          |        |       |         |        |       |  |          |      |       |            |            |      |        |            |             |      |       |            |  |  |                           |  |                              |  |                     |  |
| APPROVED BY   | DATE   |   |            |                            |   |              |                        |                        |          |       |       |          |        |       |         |        |       |  |          |      |       |            |            |      |        |            |             |      |       |            |  |  |                           |  |                              |  |                     |  |
| SKTOH   | 2003/07/17   |   |            |                            |   |              |                        |                        |          |       |       |          |        |       |         |        |       |  |          |      |       |            |            |      |        |            |             |      |       |            |  |  |                           |  |                              |  |                     |  |
| DESCRIPTION   | ANGULAR ± 1 °  |   | SIZE<br>A3 |                            | THIS DRAWING CONTAINS INFORMATION THAT IS PROPRIETARY TO MOLEX INCORPORATED AND SHOULD NOT BE USED WITHOUT WRITTEN PERMISSION |              |                        |                        |          |       |       |          |        |       |         |        |       |  |          |      |       |            |            |      |        |            |             |      |       |            |  |  |                           |  |                              |  |                     |  |
| REV   | DRAFT WHERE APPLICABLE<br>MUST REMAIN<br>WITHIN DIMENSIONS |   |            |                            |   |              |                        |                        |          |       |       |          |        |       |         |        |       |  |          |      |       |            |            |      |        |            |             |      |       |            |  |  |                           |  |                              |  |                     |  |

| CKT SIZE 'N' | PART NUMBER | MODULE CARD | VOLTAGE KEY | DIM 'R' | DIM 'J' | DIM 'K' | DIM 'L' | DIM 'N' | DIM 'A' | DIM 'S' | DIM 'T' | DIM 'E' | DIM 'U' | DIM 'V' | DIM 'G' | DIM 'H' | DIM 'B' | COVER | TRAY   |
|--------------|-------------|-------------|-------------|---------|---------|---------|---------|---------|---------|---------|---------|---------|---------|---------|---------|---------|---------|-------|--------|
| 244          | 87782-2001  | DDR2        | 1.8 V       | 1.30    | 38.40   | 36.60   | 33.60   | 79.00   | 96.0    | 96.0    | 106.20  | 39.60   | 78.00   | 82.00   | 47.60   | 42.75   | 75.60   | NIL   | TYPE A |
| 244          | 87782-2003  | DDR2        | 1.8 V       | 1.30    | 38.40   | 36.60   | 33.60   | 79.00   | 96.0    | 96.0    | 106.20  | 39.60   | 78.00   | 82.00   | 47.60   | 42.75   | 75.60   | YES   | TYPE B |
|              | 87782-3003  | DDR3        | 1.5 V       | 2.30    |         |         |         |         |         |         |         |         |         |         |         |         |         | YES   | TYPE B |
| 244          | 87782-2005  | DDR2        | 1.8 V       | 1.30    | 38.40   | 36.60   | 33.60   | 79.00   | 96.0    | 96.0    | 106.20  | 39.60   | 78.00   | 82.00   | 47.60   | 42.75   | 75.60   | YES   | TYPE A |
|              | 87782-3005  | DDR3        | 1.5 V       | 2.30    |         |         |         |         |         |         |         |         |         |         |         |         |         | YES   | TYPE A |
| 244          | 87782-2007  | DDR2        | 1.8 V       | 1.30    | 38.40   | 36.60   | 33.60   | 79.00   | 96.0    | 96.0    | 106.20  | 39.60   | 78.00   | 82.00   | 47.60   | 42.75   | 75.60   | YES   | TYPE C |
|              | 87782-3007  | DDR3        | 1.5 V       | 2.30    |         |         |         |         |         |         |         |         |         |         |         |         |         | YES   | TYPE C |
| 244          | 87782-2009  | DDR2        | 1.8 V       | 1.30    | 38.40   | 36.60   | 33.60   | 79.00   | 96.0    | 96.0    | 106.20  | 39.60   | 78.00   | 82.00   | 47.60   | 42.75   | 75.60   | YES   | TYPE D |
|              | 87782-3009  | DDR3        | 1.5 V       | 2.30    |         |         |         |         |         |         |         |         |         |         |         |         |         | YES   | TYPE D |
| 200          | 87782-2201  | DDR2        | 1.8 V       | 1.30    | 23.40   | 38.40   | 35.40   | 65.80   | 82.8    | 82.8    | 93.00   | 24.60   | 64.80   | 68.80   | 32.60   | 44.55   | 62.40   | NIL   | TYPE A |
|              | 87782-2202  | DDR         | 2.5 V       | 2.30    |         |         |         |         |         |         |         |         |         |         |         |         |         | NIL   | TYPE A |
| 200          | 87782-2203  | DDR2        | 1.8 V       | 1.30    | 23.40   | 38.40   | 35.40   | 65.80   | 82.8    | 82.8    | 93.00   | 24.60   | 64.80   | 68.80   | 32.60   | 44.55   | 62.40   | YES   | TYPE A |
|              | 87782-2204  | DDR         | 2.5 V       | 2.30    |         |         |         |         |         |         |         |         |         |         |         |         |         | YES   | TYPE A |

|  |                    |  |   |   |       |              |                        |
|--|--------------------|--|---|---|-------|--------------|------------------------|
| <b>NEW COVER</b><br>EC NO: S2010-0004<br>TDRWN: TARUMUGHAM 2009/08/12<br>CHKD: CGTAN 2009/08/12<br>APPR: SHLENI 2009/08/17 | DESCRIPTION<br>REV | QUALITY SYMBOLS  | GENERAL TOLERANCES (UNLESS SPECIFIED)   | DIMENSION STYLE   | SCALE | DESIGN UNITS | THIRD ANGLE PROJECTION |
|  |                    | $\nabla = 0$<br>$\square = 0$  | mm INCH   | MM ONLY   | NTS   | METRIC       |                        |
|  |                    | 4 PLACES ± --- ± ---<br>3 PLACES ± --- ± ---<br>2 PLACES ± 0.13 ± ---<br>1 PLACE ± 0.25 ± ---<br>ANGULAR ± 1 ° | DRAWN BY DATE<br>MLONG 2003/01/07<br>CHECKED BY DATE<br>PTL IM 2003/07/16<br>APPROVED BY DATE<br>SKTOH 2003/07/17 | TITLE<br>MINI DIMM, 0.60MM PITCH<br>200/244 CKTS, VERTICAL                |       |              |                        |
|  |                    | DRAFT WHERE APPLICABLE<br>MUST REMAIN<br>WITHIN DIMENSIONS   | MATERIAL NO.<br>SEE TABLE<br>SIZE<br>A3   | MOLEX INCORPORATED<br>DOCUMENT NO.<br>SD-87782-001<br>SHEET NO.<br>6 OF 6 |       |              |                        |

THIS DRAWING CONTAINS INFORMATION THAT IS PROPRIETARY TO MOLEX INCORPORATED AND SHOULD NOT BE USED WITHOUT WRITTEN PERMISSION