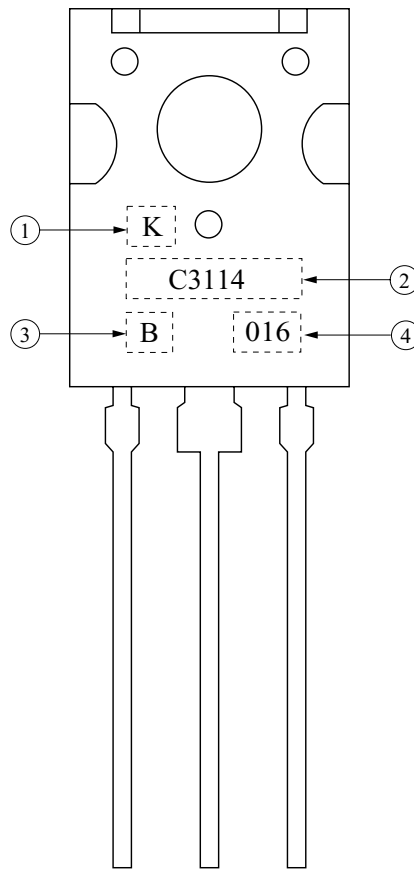


1. Marking method

Laser Marking or Ink Marking.

2. Marking



No.	Item	Marking	Description		
1	KEC	K	KEC CORP.		
2	Device Name	C3114	KTC3114		
3	hFE Grade	B	A,B		
4	Lot No.	0	0	Year	0~9 : 2000~2009
			16	Week	16 : 16th Week