

REVISIONS

| LTR | DESCRIPTION | DATE (YR-MO-DA) | APPROVED |
|-----|---|-----------------|----------------|
| A | Changes in accordance with NOR 5962-R044-96. | 96-01-24 | M. A. Frye |
| B | Changes in accordance with NOR 5962-R460-97. | 97-09-22 | Raymond Monnin |
| C | Updated boilerplate for class "T" changes. - glg | 98-12-02 | Raymond Monnin |
| D | Correction of paragraph 1.5. Table 1 changes. - glg | 99-06-24 | Raymond Monnin |

| | | | | | | | | | | | | | | | | | | | | |
|-------|----|----|----|----|--|--|--|--|--|--|--|--|--|--|--|--|--|--|--|--|
| REV | | | | | | | | | | | | | | | | | | | | |
| SHEET | | | | | | | | | | | | | | | | | | | | |
| REV | D | D | D | D | | | | | | | | | | | | | | | | |
| SHEET | 15 | 16 | 17 | 18 | | | | | | | | | | | | | | | | |

| | | | | | | | | | | | | | | | | | |
|----------------------|-------|---|---|---|---|---|---|---|---|---|----|----|----|----|----|---|---|
| REV STATUS OF SHEETS | REV | D | D | D | D | D | D | D | D | D | D | D | D | D | D | D | D |
| | SHEET | 1 | 2 | 3 | 4 | 5 | 6 | 7 | 8 | 9 | 10 | 11 | 12 | 13 | 14 | | |

| | | | | | |
|---|----------|-----------------------------------|---|---------------------------|-------------------|
| <p align="center">STANDARD MICROCIRCUIT DRAWING</p> <p>THIS DRAWING IS AVAILABLE FOR USE BY ALL DEPARTMENTS AND AGENCIES OF THE DEPARTMENT OF DEFENSE</p> <p align="center">AMSC N/A</p> | PMIC N/A | PREPARED BY Gary L. Gross | <p align="center">DEFENSE ELECTRONICS SUPPLY CENTER DAYTON, OHIO 45444</p> | | |
| | | CHECKED BY Jeff Bowling | | | |
| | | APPROVED BY Michael A. Frye | | | |
| | | DRAWING APPROVAL DATE 95-10-05 | SIZE A | CAGE CODE 67268 | 5962-95626 |
| | | REVISION LEVEL D | SHEET 1 OF 18 | | |

DSCC FORM 2233
APR 97

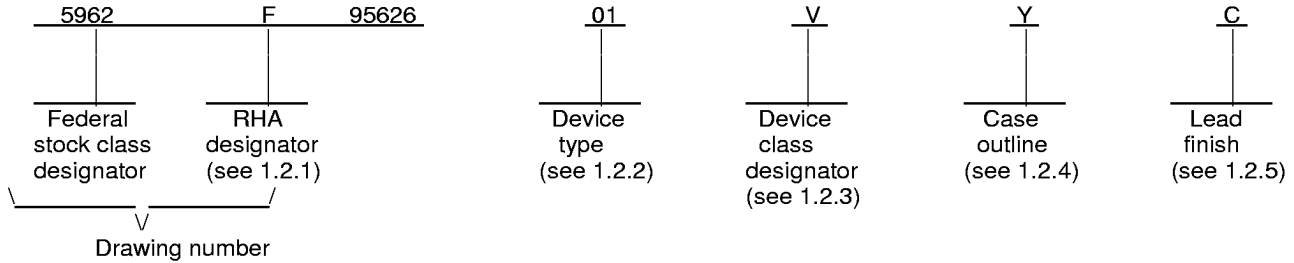
5962-E356-99

DISTRIBUTION STATEMENT A. Approved for public release; distribution is unlimited.

1. SCOPE

1.1 Scope. This drawing documents three product assurance class levels consisting of high reliability (device classes Q and M), space application (device class V), and for appropriate satellite and similar applications (device class T). A choice of case outlines and lead finishes are available and are reflected in the Part or Identifying Number (PIN). When available, a choice of Radiation Hardness Assurance (RHA) levels are reflected in the PIN. For device class T, the user is encouraged to review the manufacturers Quality Management (QM) plan as part of their evaluation of these parts and their acceptability in the intended application.

1.2 PIN. The PIN shall be as shown in the following example:



1.2.1 RHA designator. Device classes Q, T and V RHA marked devices shall meet the MIL-PRF-38535 specified RHA levels and are marked with the appropriate RHA designator. Device class M RHA marked devices meet the MIL-PRF-38535 appendix A specified RHA levels and shall be marked with the appropriate RHA designator. A dash (-) indicates a non-RHA device.

1.2.2 Device types. The device types shall identify the circuit function as follows:

| <u>Device type 1/</u> | <u>Generic number 2/</u> | <u>Circuit function</u> | <u>Access time</u> |
|-----------------------|--------------------------|------------------------------------|--------------------|
| 01 | HS-6664RH | 8K X 8-bit Radiation hardened PROM | 65 ns |

1.2.3 Device class designator. The device class designator shall be a single letter identifying the product assurance level as follows:

| <u>Device class</u> | <u>Device requirements documentation</u> |
|---------------------|---|
| M | Vendor self-certification to the requirements for MIL-STD-883 compliant, non-JAN class level B microcircuits in accordance with MIL-PRF-38535, appendix A |
| Q, V | Certification and qualification to MIL-PRF-38535 |
| T | Certification and qualification to MIL-PRF-38535 with performance as specified in the device manufacturers approved quality management plan |

1.2.4 Case outline(s). The case outline(s) shall be as designated in MIL-STD-1835 and as follows:

| <u>Outline letter</u> | <u>Descriptive designator</u> | <u>Terminals</u> | <u>Package style</u> |
|-----------------------|-------------------------------|------------------|----------------------|
| X | CDIP2-T28 | 28 | Dual-in-line package |
| Y | CDFP3-F28 | 28 | Flat pack |

1.2.5 Lead finish. The lead finish shall be as specified in MIL-PRF-38535 for classes Q, T and V or MIL-PRF-38535, appendix A for device class M.

1/ Device is available in an unprogrammed state only.

2/ Generic numbers are also listed on the Standard Microcircuit Drawing Source Approval Bulletin at the end of this document and will also be listed in QML-38535 and MIL-HDBK-103.

| | | | |
|---|-------------------|-----------------------------|--------------------|
| STANDARD MICROCIRCUIT DRAWING DEFENSE SUPPLY CENTER COLUMBUS COLUMBUS, OHIO 43216-5000 | SIZE A | | 5962-95626 |
| | | REVISION LEVEL D | SHEET 2 |

1.3 Absolute maximum ratings. 3/

| | |
|--|----------------------------------|
| Supply voltage range | -0.3 V dc to +7.0 V dc |
| Voltage on any pin with respect to ground | -0.3 V dc to $V_{DD} + 0.3$ V dc |
| Maximum power dissipation (P_D) | 1.75 W |
| Lead temperature (soldering, 10 seconds maximum) | +300°C |
| Thermal resistance, junction-to-case (Θ_{JC}) | See MIL-STD-1835 |
| Junction temperature (T_J) | +175°C |
| Storage temperature range | -65°C to +150°C |
| Temperature under bias | -55°C to +125°C |

1.4 Recommended operating conditions.

| | |
|--|-------------------------------|
| Supply voltage (V_{DD}) | +4.5 V dc to +5.5 V dc |
| Ground voltage (GND) | 0.0 V dc |
| Input high voltage (V_{IH}) | +2.4 V dc minimum to V_{CC} |
| Input Low voltage (V_{IL}) | 0.0 V dc to +0.8 V dc maximum |
| Case operating temperature range (T_C) | -55°C to +125°C |

1.5 Radiation features

| | |
|--|---|
| Maximim total dose available (dose rate = 50 - 300 rads(Si)/s) | |
| Class M, Q, and V | 300 Krads(Si) |
| Class T | 100 KRads(Si) |
| Dose rate upset | $\geq 5 \times 10^8$ Rads(Si)/sec <u>4/</u> |
| Dose rate survivability | $\geq 5 \times 10^{11}$ Rads(Si)/sec <u>4/</u> |
| Single event phenomenon (SEP) effective linear energy threshold (LET) with no upsets | ≥ 100 MEV-cm ² /mg <u>4/</u> |
| Neutron irradiation | 1×10^{14} neutrons/cm ² <u>4/</u> |

2. APPLICABLE DOCUMENTS

2.1 Government specification, standards, and handbook. The following specification, standards, and handbooks form a part of this drawing to the extent specified herein. Unless otherwise specified, the issues of these documents are those listed in the issue of the Department of Defense Index of Specifications and Standards (DoDISS) and supplement thereto, cited in the solicitation.

SPECIFICATION

DEPARTMENT OF DEFENSE

MIL-PRF-38535 - Integrated Circuits, Manufacturing, General Specification for.

STANDARDS

DEPARTMENT OF DEFENSE

- MIL-STD-883 - Test Method Standard Microcircuits.
- MIL-STD-973 - Configuration Management.
- MIL-STD-1835 - Interface Standard For Microcircuit Case Outlines.

HANDBOOKS

DEPARTMENT OF DEFENSE

- MIL-HDBK-103 - List of Standard Microcircuit Drawings (SMD's).
- MIL-HDBK-780 - Standard Microcircuit Drawings

3/ Stresses above the absolute maximum rating may cause permanent damage to the device. Extended operation at the maximum levels may degrade performance and affect reliability.
4/ Guaranteed by process or design, but not tested.

| | | | |
|--|--------------------|------------------------------|---------------------|
| STANDARD MICROCIRCUIT DRAWING DEFENSE SUPPLY CENTER COLUMBUS COLUMBUS, OHIO 43216-5000 | SIZE A | | 5962-95626 |
| | | REVISION LEVEL D | SHEET 3 |

(Unless otherwise specified, copies of the specification, standards, and handbooks are available from the Standardization Document Order Desk, 700 Robbins Avenue, Building 4D, Philadelphia, PA 19111-5094.)

2.2 Order of precedence. In the event of a conflict between the text of this drawing and the references cited herein, the text of this drawing shall take precedence. Nothing in this document, however, supercedes applicable laws and regulations unless a specific exemption was obtained.

3. REQUIREMENTS

3.1 Item requirements. The individual item requirements for device classes Q, T and V shall be in accordance with MIL-PRF-38535, and as specified herein or as modified in the device manufacturer's Quality Management (QM) plan. The modification in the QM plan shall not effect the form, fit, or function as described herein. The individual item requirements for device class M shall be in accordance with MIL-PRF-38535, appendix A and herein.

3.2 Design, construction, and physical dimensions. The design, construction, and physical dimensions shall be as specified in MIL-PRF-38535 and herein for device classes Q, T and V or MIL-PRF-38535, appendix A and herein for device class M.

3.2.1 Case outlines. The case outlines shall be in accordance with 1.2.4 herein.

3.2.2 Terminal connections. The terminal connections shall be as specified on figure 1.

3.2.3 Truth table. The truth table shall be as specified on figure 2.

3.2.3.1 Unprogrammed devices. The truth table for unprogrammed devices shall be as specified on figure 2. When required in screening (see 4.2 herein) or qualification conformance inspection, groups A, B, or C (see 4.4), the devices shall be programmed by the manufacturer prior to test. A minimum of 50 percent of the total number of cells shall be programmed.

3.2.3.2 Programmed devices. The requirements for supplying programmed devices are not a part of this drawing.

3.2.4 Radiation exposure circuit. The radiation exposure circuit shall be as specified in figure 5.

| | | | |
|---|-------------------|-----------------------------|--------------------|
| STANDARD MICROCIRCUIT DRAWING DEFENSE SUPPLY CENTER COLUMBUS COLUMBUS, OHIO 43216-5000 | SIZE A | | 5962-95626 |
| | | REVISION LEVEL D | SHEET 4 |

Table I. Electrical performance characteristics.

| Test | Symbol | Conditions ^{1/} -55°C ≤ T _C ≤ +125°C unless otherwise specified | Group A subgroups | Device type | Limits | | Unit |
|---|-------------------|--|----------------------|----------------|--------------------------|-----|------|
| | | | | | Min | Max | |
| High level output voltage | V _{OH1} | V _{DD} = 4.5 V, I _{OH} = -2.0 mA | 1,2,3 | All | 3.5 | | V |
| | | | M,D, P,L, R,F | 1 2/ | | 3/ | |
| Output high voltage | V _{OH2} | V _{DD} = 4.5 V, I _{OH} = -100 μA | 1,2,3 | All | V _{DD} - 0.3 | | V |
| | | | M,D, P,L, R,F | 1 2/ | | 3/ | |
| Low level output voltage | V _{OL} | V _{DD} = 4.5 V, I _{OL} = 4.8 mA | 1,2,3 | All | | 0.4 | V |
| | | | M,D, P,L, R,F | 1 2/ | | 3/ | |
| Input leakage current | I _I | V _{DD} = 5.5 V, \bar{P} not tested V _{IN} = GND or V _{DD} | 1,2,3 | All | -1.0 | 1.0 | μA |
| | | | M,D, P,L, R,F | 1 2/ | | 3/ | 3/ |
| High impedance output leakage current | I _{OZ} | V _{DD} = 5.5 V, \bar{E} = 5.5 V V _{I/O} = GND or V _{DD} | 1,2,3 | All | -10 | 10 | μA |
| | | | M,D, P,L, R,F | 1 2/ | | 3/ | 3/ |
| Operating supply current | I _{DDOP} | V _{DD} = 5.5 V, \bar{E} = V _{DD} I _{OUT} = 0 mA, f = 1 MHz V _{IN} = GND or V _{DD} ^{4/} | 1,2,3 | All | | 15 | mA |
| | | | M,D, P,L, R,F | 1 2/ | | 3/ | |
| Standby supply current | I _{DDSB} | V _{DD} = 5.5 V, I _{OUT} = 0 mA V _{IN} = GND or V _{DD} | 1,2,3 | All | | 500 | μA |
| | | | M,D, P,L, R,F | 1 2/ | | 3/ | |
| Input capacitance ^{5/} | C _{IN} | V _{DD} = open, T _A = +25°C, f = 1.0 MHz, see 4.4.1c | 4 | All | | 15 | pF |
| Output capacitance ^{5/} | C _{OUT} | V _{DD} = open, T _A = +25°C, f = 1.0 MHz, see 4.4.1c | 4 | All | | 12 | pF |

See footnotes at end of table.

**STANDARD
MICROCIRCUIT DRAWING
DEFENSE SUPPLY CENTER COLUMBUS
COLUMBUS, OHIO 43216-5000**

SIZE
A

5962-95626

REVISION LEVEL
D

SHEET
5

Table I. Electrical performance characteristics - Continued.

| Test | Symbol | Conditions <u>1/</u> -55°C ≤ T _C ≤ +125°C unless otherwise specified | Group A subgroups | Device type | Limits | | Unit |
|---|-------------------|--|----------------------|----------------|--------|-----------|------|
| | | | | | Min | Max | |
| Functional tests | | See 4.4.1d, V _{DD} = 4.5 V f = 1 MHz, V _{IH} = 2.4 V V _{IL} = 0.45 V, I _{OH} = -1.0 mA I _{OL} = 1.0 mA, V _{OH} ≥ 1.5 V V _{OL} ≤ 1.5 V | 7,8A,8B | All | | | |
| | | | M,D, P,L, R,F | 7 <u>2/</u> | | <u>3/</u> | |
| Address access time <u>2/</u> | t _{AVQV} | See figure 4 <u>6/</u> V _{DD} = 4.5V and 5.5V | 9,10,11 | All | | 65 | ns |
| Address setup time | t _{AVEL} | | 9,10,11 | All | 5 | | ns |
| | | | M,D, P,L, R,F | 9 <u>2/</u> | | <u>3/</u> | ns |
| Address hold time | t _{ELAX} | | 9,10,11 | All | 12 | | ns |
| | | | M,D, P,L, R,F | 9 <u>2/</u> | | <u>3/</u> | ns |
| Chip enable access time | t _{ELQV} | | 9,10,11 | All | | 60 | ns |
| | | | M,D, P,L, R,F | 9 <u>2/</u> | | <u>3/</u> | ns |
| Output enable access time | t _{GLQV} | | 9,10,11 | All | | 20 | ns |
| | | | M,D, P,L, R,F | 9 <u>2/</u> | | <u>3/</u> | ns |
| Chip enable to output active <u>2/</u> | t _{ELQX} | | 9,10,11 | All | 5 | | ns |

See footnotes at end of table.

| | | | |
|---|------------------|----------------------------|-------------------|
| STANDARD MICROCIRCUIT DRAWING DEFENSE SUPPLY CENTER COLUMBUS COLUMBUS, OHIO 43216-5000 | SIZE A | | 5962-95626 |
| | | REVISION LEVEL D | SHEET 6 |

Table I. Electrical performance characteristics - Continued.

| Test | Symbol | Conditions <u>1/</u> -55°C ≤ T _C ≤ +125°C unless otherwise specified | Group A subgroups | Device type | Limits | | Unit | |
|---|-------------------|---|----------------------|----------------|-----------|-----------|------|----|
| | | | | | Min | Max | | |
| Chip disable to output in high Z <u>7/</u> | t _{EHQZ} | See figure 4 <u>6/</u> V _{DD} = 4.5V and 5.5V | 9,10,11 | All | | 15 | ns | |
| Output enable to output active <u>7/</u> | t _{GLQX} | | 9,10,11 | All | 5 | | ns | |
| Output enable to output disable <u>7/</u> | t _{GHQZ} | | 9,10,11 | All | | 15 | ns | |
| Chip enable low width | t _{ELEH} | | 9,10,11 | All | 60 | | ns | |
| Chip enable high width | t _{EHEL} | | M,D, P,L, R,F | 9 | | | | ns |
| | | | | <u>2/</u> | | <u>3/</u> | | ns |
| Read cycle time | t _{ELEL} | 9,10,11 | All | 80 | | ns | | |
| | | M,D, P,L, R,F | 9 | | | | ns | |
| | | | <u>2/</u> | | <u>3/</u> | | ns | |

- 1/ All tests performed with \overline{P} hardwired to V_{DD}.
- 2/ When performing postirradiation electrical measurements for any RHA level T_A = +25°C. Limits shown are guaranteed at T_A = +25°C ±5°C. The M, D, P, L, R, and F in the test condition column are the postirradiation limits for the device types specified in the device types column. For classes M, Q, and V, devices are tested only at level "F"; for class T, devices are tested only at level "R" (see paragraph 1.5).
- 3/ Preirradiation values for RHA marked devices shall also be the postirradiation values, unless otherwise specified.
- 4/ Typical derating = 15mA/MHz increase in operating supply current.
- 5/ Tested initially and after any design or process changes that affect that parameter, and therefore shall be guaranteed to the limits specified in table I.
- 6/ AC measurements assume rise and fall times of 5 ns or less, timing reference levels of 1.5 V, input pulse levels of 0 to 3.0 V, and the output load = 1 TTL equivalent load and C_L ≥ 50 pF (see figure 3).
- 7/ If not specifically tested, shall be guaranteed to the limits specified in table I.

| | | | |
|---|-------------------|---------------------|-------------------|
| STANDARD MICROCIRCUIT DRAWING DEFENSE SUPPLY CENTER COLUMBUS COLUMBUS, OHIO 43216-5000 | SIZE A | | 5962-95626 |
| | | REVISION LEVEL D | SHEET 7 |

| Device types | All |
|-----------------|-----------------|
| Case outlines | X,Y |
| Terminal number | Terminal symbol |
| 1 | NC |
| 2 | A ₁₂ |
| 3 | A ₇ |
| 4 | A ₆ |
| 5 | A ₅ |
| 6 | A ₄ |
| 7 | A ₃ |
| 8 | A ₂ |
| 9 | A ₁ |
| 10 | A ₀ |
| 11 | DQ ₀ |
| 12 | DQ ₁ |
| 13 | DQ ₂ |
| 14 | GND |
| 15 | DQ ₃ |
| 16 | DQ ₄ |
| 17 | DQ ₅ |
| 18 | DQ ₆ |
| 19 | DQ ₇ |
| 20 | \bar{E} |
| 21 | A ₁₀ |
| 22 | \bar{G} |
| 23 | A ₁₁ |
| 24 | A ₉ |
| 25 | A ₈ |
| 26 | NC |
| 27 | \bar{P} |
| 28 | V _{DD} |

NOTES: NC = no connection
 \bar{P} must be hardwired at all times to V_{DD}, except during programming.

FIGURE 1. Terminal connections.

| | | | |
|--|--------------------|------------------------------|---------------------|
| STANDARD MICROCIRCUIT DRAWING DEFENSE SUPPLY CENTER COLUMBUS COLUMBUS, OHIO 43216-5000 | SIZE A | | 5962-95626 |
| | | REVISION LEVEL D | SHEET 8 |

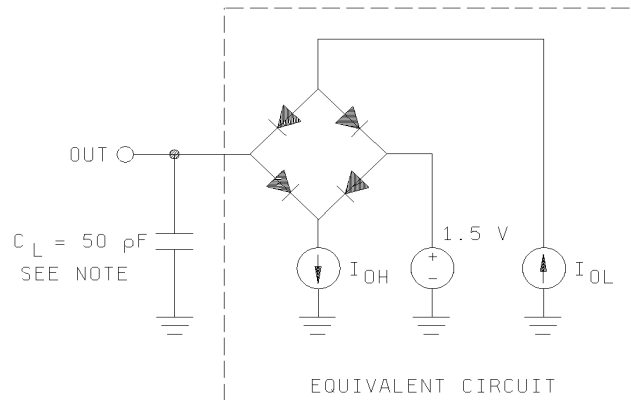
Read modes

| Mode | \bar{E} | \bar{G} | Outputs |
|----------------|-----------|-----------|---------|
| Read | L | L | Enabled |
| Output Disable | L | H | High Z |
| Standby | H | X | High Z |

NOTES:

1. L = logic low voltage level; H = logic high voltage level; X can be H or L.
2. High Z is high impedance state.

FIGURE 2. Truth table.



NOTE: C_L = load capacitance and includes scope and jig capacitance.

FIGURE 3. Output load circuit or equivalent.

| | | | |
|---|-------------------|---------------------|-------------------|
| STANDARD MICROCIRCUIT DRAWING DEFENSE SUPPLY CENTER COLUMBUS COLUMBUS, OHIO 43216-5000 | SIZE A | | 5962-95626 |
| | | REVISION LEVEL D | SHEET 9 |

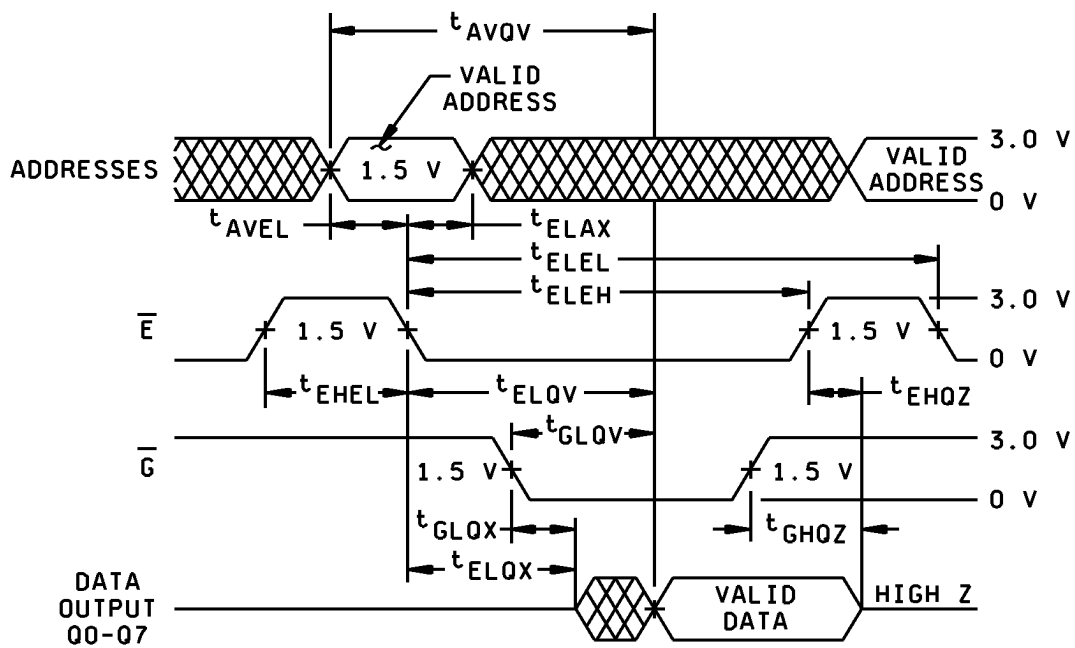
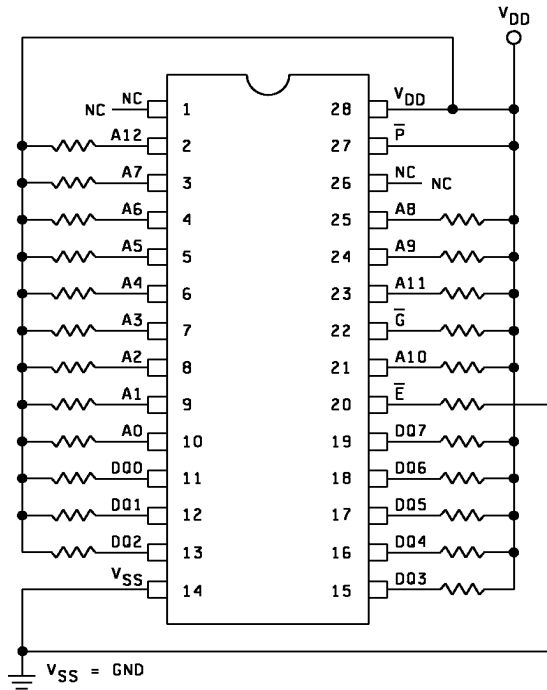


FIGURE 4. Read cycle waveform.

| | | | |
|---|-------------------|-----------------------------|---------------------|
| STANDARD MICROCIRCUIT DRAWING DEFENSE SUPPLY CENTER COLUMBUS COLUMBUS, OHIO 43216-5000 | SIZE A | | 5962-95626 |
| | | REVISION LEVEL D | SHEET 10 |

DSCC FORM 2234
APR 97



NOTES:

NC = no connection
 All resistors = $47\Omega \pm 10\%$
 $V_{DD} = 5.5\text{ v} \pm 0.5\text{ v}$

FIGURE 5. Irradiation circuit.

| | | | |
|--|----------------------------|--------------------------------------|------------------------------|
| STANDARD MICROCIRCUIT DRAWING DEFENSE SUPPLY CENTER COLUMBUS COLUMBUS, OHIO 43216-5000 | SIZE A | | 5962-95626 |
| | | REVISION LEVEL D | SHEET 11 |

3.3 Electrical performance characteristics and postirradiation parameter limits. Unless otherwise specified, the electrical performance characteristics, and postirradiation parameter limits are as specified in table I and shall apply over the full case operating temperature range.

3.4 Electrical test requirements. The electrical test requirements shall be the subgroups specified in table IIA. The electrical tests for each subgroup are defined in table I.

3.5 Marking. The part shall be marked with the PIN listed in 1.2 herein. In addition, the manufacturer's PIN may also be marked as listed in MIL-HDBK-103. For packages where marking of the entire SMD PIN number is not feasible due to space limitations, the manufacturer has the option of not marking the "5962-" on the device. For RHA product using this option, the RHA designator shall still be marked. Marking for device classes Q, T and V shall be in accordance with MIL-PRF-38535. Marking for device class M shall be in accordance with MIL-PRF-38535, appendix A.

3.5.1 Certification/compliance mark. The certification mark for device classes Q, T and V shall be a "QML" or "Q" as required in MIL-PRF-38535. The compliance mark for device class M shall be a "C" as required in MIL-PRF-38535, appendix A.

3.6 Certificate of compliance. For device classes Q, T and V, a certificate of compliance shall be required from a QML-38535 listed manufacturer in order to supply to the requirements of this drawing (see 6.6.1 herein). For device class M, a certificate of compliance shall be required from a manufacturer in order to be listed as an approved source of supply in MIL-HDBK-103 (see 6.6.2 herein). The certificate of compliance submitted to DSCC-VA prior to listing as an approved source of supply for this drawing shall affirm that the manufacturer's product meets, for device classes Q, T and V, the requirements of MIL-PRF-38535 and herein or for device class M, the requirements of MIL-PRF-38535, appendix A and herein.

3.7 Certificate of conformance. A certificate of conformance as required for device classes Q, T and V in MIL-PRF-38535 or for device class M in MIL-PRF-38535, appendix A shall be provided with each lot of microcircuits delivered to this drawing.

3.8 Notification of change for device class M. For device class M, notification to DSCC-VA of change of product (see 6.2 herein) involving devices acquired to this drawing is required for any change as defined in MIL-STD-973.

3.9 Verification and review for device class M. For device class M, DSCC, DSCC's agent, and the acquiring activity retain the option to review the manufacturer's facility and applicable required documentation. Offshore documentation shall be made available onshore at the option of the reviewer.

3.10 Microcircuit group assignment for device class M. Device class M devices covered by this drawing shall be in microcircuit group number 42 (see MIL-PRF-38535, appendix A).

3.10.1 Unprogrammed device delivered to the user. All testing shall be verified through final electrical testing as defined in 3.2.3.1 and table I. It is recommended that users perform subgroups 7 and 9 after programming to verify the specific program configuration.

4. QUALITY ASSURANCE PROVISIONS

4.1 Sampling and inspection. For device classes Q and V, sampling and inspection procedures shall be in accordance with MIL-PRF-38535 or as modified in the device manufacturer's Quality Management (QM) plan, including screening (4.2), qualification (4.3), and conformance inspection (4.4). The modification in the QM plan shall not affect the form, fit, or function as described herein.

For device class T, sampling and inspection procedures shall be in accordance with MIL-PRF-38535 and the device manufacturer's QM plan, including screening, qualification, and conformance inspection. The performance envelope and reliability information shall be as specified in the manufacturers QM plan.

For device class M, sampling and inspection procedures shall be in accordance with MIL-PRF-38535, appendix A.

4.2 Screening. For device classes Q and V, screening shall be in accordance with MIL-PRF-38535, and shall be conducted on all devices prior to qualification and technology conformance inspection. For device class M, screening shall be in accordance with method 5004 of MIL-STD-883, and shall be conducted on all devices prior to quality conformance inspection. For device class T, screening shall be in accordance with the device manufacturer's Quality Management (QM) plan, and shall be conducted on all devices prior to qualification and technology conformance inspection.

| | | | |
|---|-------------------|-----------------------------|---------------------|
| STANDARD MICROCIRCUIT DRAWING DEFENSE SUPPLY CENTER COLUMBUS COLUMBUS, OHIO 43216-5000 | SIZE A | | 5962-95626 |
| | | REVISION LEVEL D | SHEET 12 |

4.2.1 Additional criteria for device class M.

- a. Delete the sequence specified as initial (preburn-in) electrical parameters through interim (postburn-in) electrical parameters of method 5004 and substitute lines 1 through 6 of table IIA herein.
- b. For device class M, the test circuit shall be maintained by the manufacturer under document revision level control and shall be made available to the preparing or acquiring activity upon request. For device class M, the test circuit shall specify the inputs, outputs, biases, and power dissipation, as applicable, in accordance with the intent specified in test method 1015.
 - (1) Dynamic burn-in for device class M (method 1015 of MIL-STD-883, test condition D; for circuit, see 4.2.1b herein).
- c. Interim and final electrical parameters shall be as specified in table IIA herein.

4.2.2 Additional criteria for device classes Q, T and V.

- a. The burn-in test duration, test condition, and test temperature or approved alternatives shall be as specified in the device manufacturer's QM plan in accordance with MIL-PRF-38535. The burn-in test circuit shall be maintained under document revision level control of the device manufacturer's Technology Review Board (TRB) in accordance with MIL-PRF-38535 and shall be made available to the acquiring or preparing activity upon request. The test circuit shall specify the inputs, outputs, biases, and power dissipation, as applicable, in accordance with the intent specified in test method 1015 of MIL-STD-883.
- b. Interim and final electrical test parameters shall be as specified in table IIA herein.
- c. Additional screening for device class V beyond the requirements of device class Q shall be as specified in appendix B of MIL-PRF-38535 or as modified in the device manufacturers Quality Management (QM) plan.

4.3 Qualification inspection for device classes Q, T and V. Qualification inspection for device classes Q and V shall be in accordance with MIL-PRF-38535. Qualification inspection for device class T shall be in accordance with the device manufacturer's Quality Management (QM) plan. Inspections to be performed shall be those specified in MIL-PRF-38535 and herein for groups A, B, C, D, and E inspections (see 4.4.1 through 4.4.4).

4.4 Conformance inspection. Technology conformance inspection for classes Q and V shall be in accordance with MIL-PRF-38535, or as specified in the QM plan, including groups A, B, C, D, and E inspections and as specified herein except where option 2 of MIL-PRF-38535 permits alternate in-line control testing. Quality conformance inspection for device class M shall be in accordance with MIL-PRF-38535, appendix A and as specified herein. Inspections to be performed for device class M shall be those specified in method 5005 of MIL-STD-883 and herein for groups A, B, C, D, and E inspections (see 4.4.1 through 4.4.4). Technology conformance inspection for device class T shall be in accordance with the device manufacturer's Quality Management (QM) plan.

4.4.1 Group A inspection.

- a. Tests shall be as specified in table IIA herein.
- b. Subgroups 5 and 6 in table I, method 5005 of MIL-STD-883 shall be omitted.
- c. Subgroup 4 (C_{IN} and C_{OUT} measurements) shall be measured only for initial qualification and after any process or design changes which may affect input or output capacitance. Capacitance shall be measured between the designated terminal and GND at a frequency of 1 MHz.
- d. For device class M, subgroups 7, 8A and 8B tests shall be sufficient to verify the truth table. For device classes Q and V, subgroups 7, 8A and 8B shall include verifying the functionality of the device.
- e. Devices shall be tested for programmability and ac performance compliance to the requirements of group A, subgroups 9, 10, and 11. Either of two techniques is acceptable:
 - (1) Testing the entire lot using additional built-in test circuitry which allows the manufacturer to verify programmability and ac performance without programming the user array. If this is done, the resulting test patterns shall be verified on all devices during subgroups 9, 10, and 11, group A testing in accordance with the sampling plan specified in MIL-STD-883, method 5005.

| | | | |
|---|-------------------|---------------------|-------------------|
| STANDARD MICROCIRCUIT DRAWING DEFENSE SUPPLY CENTER COLUMBUS COLUMBUS, OHIO 43216-5000 | SIZE A | | 5962-95626 |
| | | REVISION LEVEL D | SHEET 13 |

(2) If such compliance cannot be tested on an unprogrammed device, a sample shall be selected to satisfy programmability requirements prior to performing subgroups 9, 10, and 11. Twelve devices shall be submitted to programming (see 3.2.3.2). If more than two devices fail to program, the lot shall be rejected. At the manufacturer's option, the sample may be increased to 24 total devices with no more than 4 total device failures allowable. Ten devices from the programmability sample shall be submitted to the requirements of group A, subgroups 9, 10, and 11. If more than two devices fail, the lot shall be rejected. At the manufacturer's option, the sample may be increased to 20 total devices with no more than 4 total device failures allowable.

4.4.2 Group C inspection. The group C inspection end-point electrical parameters shall be as specified in table IIA herein.

4.4.2.1 Additional criteria for device class M. Steady-state life test conditions, method 1005 of MIL-STD-883:

- a. Test condition D. The test circuit shall be maintained by the manufacturer under document revision level control and shall be made available to the preparing or acquiring activity upon request. The test circuit shall specify the inputs, outputs, biases, and power dissipation, as applicable, in accordance with the intent specified in test method 1005.
- b. $T_A = +125^\circ\text{C}$, minimum.
- c. Test duration: 1,000 hours, except as permitted by method 1005 of MIL-STD-883.

4.4.2.2 Additional criteria for device classes Q, T and V. The steady-state life test duration, test condition, and test temperature, or approved alternatives shall be as specified in the device manufacturer's QM plan in accordance with MIL-PRF-38535. The test circuit shall be maintained under document revision level control by the device manufacturer's TRB in accordance with MIL-PRF-38535 and shall be made available to the acquiring or preparing activity upon request. The test circuit shall specify the inputs, outputs, biases, and power dissipation, as applicable, in accordance with the intent specified in test method 1005 of MIL-STD-883.

4.4.3 Group D inspection. For group D inspection, end-point electrical parameters shall be as specified in table IIA herein.

4.4.4 Group E inspection. Group E inspection is required only for parts intended to be marked as radiation hardness assured (see 3.5 herein). RHA levels for device classes M, Q and V shall be as specified in MIL-PRF-38535 and the end-point electrical parameters shall be as specified in table IIA herein. For device class T, the RHA requirements shall be in accordance with the class T radiation requirements of MIL-PRF-38535. The end-point electrical parameters for class T devices shall be as specified in the table I, Group A subgroups, or as modified in the QM plan.

4.4.4.1 Total dose irradiation testing. Total dose irradiation testing shall be performed in accordance with MIL-STD-883 method 1019 condition A, and as specified herein. The total dose requirements shall be as defined within paragraph 1.5 herein.

4.4.4.1.1 Accelerated aging test. Accelerated aging tests shall be performed on all devices requiring a RHA level greater than 5k rads(Si). The post-anneal end-point electrical parameter limits shall be as specified in table I herein and shall be the pre-irradiation end-point electrical parameter limit at $25^\circ\text{C} \pm 5^\circ\text{C}$. Testing shall be performed at initial qualification and after any design or process changes which may affect the RHA response of the device.

4.4.4.2 Dose rate induced latchup testing. Dose rate induced latchup testing shall be performed in accordance with test method 1020 of MIL-STD-883 and as specified herein (see 1.5). Tests shall be performed on devices, SEC, or approved test structures at technology qualification and after any design or process changes which may effect the RHA capability of the process.

4.4.4.3 Dose rate upset testing. Dose rate upset testing shall be performed in accordance with test method 1021 of MIL-STD-883 and herein (see 1.5).

- a. Transient dose rate upset testing shall be performed at initial qualification and after any design or process changes which may effect the RHA performance of the devices. Test 10 devices with 0 defects unless otherwise specified.
- b. Transient dose rate upset testing for class Q, T and V devices shall be performed as specified by a TRB approved radiation hardness assurance plan and MIL-PRF-38535.

4.4.4.4 Single event phenomena (SEP). When specified in the purchase order or contract, SEP testing shall be required on class V and T devices (see 1.5 herein). SEP testing shall be performed on a technology process on the Standard Evaluation Circuit (SEC) or alternate SEP test vehicle as approved by the qualifying activity at initial qualification and after any design or process changes which may affect the upset or latchup characteristics. The recommended test conditions for SEP are as follows:

| | | | |
|---|-------------------|-----------------------------|---------------------|
| STANDARD MICROCIRCUIT DRAWING DEFENSE SUPPLY CENTER COLUMBUS COLUMBUS, OHIO 43216-5000 | SIZE A | | 5962-95626 |
| | | REVISION LEVEL D | SHEET 14 |

- a. The ion beam angle of incidence shall be between normal to the die surface and 60° to the normal, inclusive (i.e. 0° ≤ angle ≤ 60°). No shadowing of the ion beam due to fixturing or package related effects is allowed.
- b. The fluence shall be ≥ 100 errors or ≥ 10⁶ ions/cm².
- c. The flux shall be between 10² and 10⁵ ions/cm²/s. The cross-section shall be verified to be flux independent by measuring the cross-section at two flux rates which differ by at least an order of magnitude.
- d. The particle range shall be ≥ 20 microns in silicon.
- e. The test temperature shall be +25 °C and the maximum rated operating temperature ±10 °C.
- f. Bias conditions shall be defined by the manufacturer for latchup measurements.
- g. Test four devices with zero failures.

4.4.4.5 Additional information. When applicable, a copy of the following additional data shall be maintained and available from the device manufacturer:

- a. RHA upset levels.
- b. Test conditions (SEP).
- c. Number of upsets (SEP).
- d. Number of transients (SEP).
- e. Occurrence of latchup (SEP).

4.5 Programming procedure. The programming procedures shall be as specified by the device manufacturer and shall be made available upon request.

4.6 Delta measurements for device class V. Delta measurements, as specified in table IIA, shall be made and recorded before and after the required burn-in screens and steady-state life tests to determine delta compliance. The electrical parameters to be measured, with associated delta limits are listed in table IIB. The device manufacturer may, at his option, either perform delta measurements or within 24 hours after burn-in perform final electrical parameter tests, subgroups 1, 7, and 9.

| | | | |
|---|-------------------|-----------------------------|---------------------|
| STANDARD MICROCIRCUIT DRAWING DEFENSE SUPPLY CENTER COLUMBUS COLUMBUS, OHIO 43216-5000 | SIZE A | | 5962-95626 |
| | | REVISION LEVEL D | SHEET 15 |

Table IIA. Electrical test requirements. 1/ 2/ 3/ 4/ 5/ 6/ 7/

| Line no. | Test requirements | Subgroups (per method 5005, table IA) | Subgroups (per MIL-PRF-38535, table III) | | |
|----------|---|---------------------------------------|--|-----------------------------|-------------------------|
| | | Device class M | Device class Q | Device class V | Device class T |
| 1 | Interim electrical parameters (see 4.2) | 1,7,9 | 1,7,9 | 1,7,9 | As specified in QM plan |
| 2 | Static burn-in I method 1015 | Not required | Not required | Required | |
| 3 | Same as line 1 | | | 1*,7*,9* Δ | |
| 4 | Dynamic burn-in (method 1015) | Required | Required | Required | |
| 5 | Same as line 1 | | | 1*,7*,9* Δ | |
| 6 | Final electrical parameters | 1*,2,3,7*, 8A,8B,9*,10, 11 | 1*,2,3,7*, 8A,8B,9*,10, 11 | 1*,2,3,7*, 8A,8B,9*,10, 11 | |
| 7 | Group A test requirements | 1,2,3,4**,7, 8A,8B,9,10, 11 | 1,2,3,4**,7, 8A,8B,9,10, 11 | 1,2,3,4**,7, 8A,8B,9,10, 11 | |
| 8 | Group C end-point electrical parameters | 1,2,3,7, 8A,8B | 1,2,3,7, 8A,8B,9 | 1,2,3,7, 8A,8B,9,10, 11 Δ | |
| 9 | Group D end-point electrical parameters | 1,7,9 | 1,7,9 | 1,7,9 | |
| 10 | Group E end-point electrical parameters | 1,7,9 | 1,7,9 | 1,7,9 | |

- 1/ Blank spaces indicate test are not applicable.
- 2/ Any or all subgroups may be combined when using high-speed testers.
- 3/ Subgroups 7 and 8 functional tests shall verify the truth table.
- 4/ * Indicates PDA applies to subgroups 1, 7 and 9.
- 5/ ** See 4.4.1c.
- 6/ Δ Indicates delta limit (see table IIB) shall be required where specified, and the delta values shall be computed with reference to the zero hour electrical parameters (see table IIA).
- 7/ See 4.6.

| | | | |
|---|-------------------|-----------------------------|---------------------|
| STANDARD MICROCIRCUIT DRAWING DEFENSE SUPPLY CENTER COLUMBUS COLUMBUS, OHIO 43216-5000 | SIZE A | | 5962-95626 |
| | | REVISION LEVEL D | SHEET 16 |

Table IIB. Delta limits at +25°C.

| Test ^{1/} | All device types |
|--------------------|---------------------------------------|
| I _I | ±100 nA of specified value in table I |
| I _{OZ} | ±1 µA of specified value in table I |
| I _{DDSB} | ±50 µA of specified value in table I |
| V _{OL} | ±60 mV of specified value in table I |
| V _{OH2} | ±400 mV of specified value in table I |

^{1/} The above parameter shall be recorded before and after the required burn-in and life tests to determine the delta.

5. PACKAGING

5.1 Packaging requirements. The requirements for packaging shall be in accordance with MIL-PRF-38535 for device classes Q, T and V or MIL-PRF-38535, appendix A for device class M.

6. NOTES

6.1 Intended use. Microcircuits conforming to this drawing are intended for use for government microcircuit applications (original equipment), design applications, and logistics purposes.

6.1.1 Replaceability. Microcircuits covered by this drawing will replace the same generic device covered by a contractor-prepared specification or drawing.

6.1.2 Substitutability. Device class Q devices will replace device class M devices.

6.2 Configuration control of SMD's. All proposed changes to existing SMD's will be coordinated with the users of record for the individual documents. This coordination will be accomplished in accordance with MIL-STD-973 using DD Form 1693, Engineering Change Proposal (Short Form).

6.3 Record of users. Microcircuit and industrial users shall inform Defense Supply Center Columbus when a system application requires configuration control and which SMD's are applicable to that system. DSCC will maintain a record of users and this list will be used for coordination and distribution of changes to the drawings. Users of drawings covering microelectronic devices (FSC 5962) should contact DSCC-VA, telephone (614)692-0525.

6.4 Comments. Comments on this drawing should be directed to DSCC-VA, Columbus, Ohio 43216-5000, or telephone (614) 692-0674.


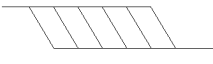
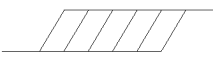
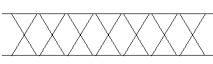
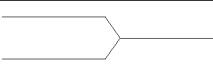
6.5 Symbols, definitions, and functional descriptions.

- C_{IN} Input terminal capacitance.
- C_{OUT} Output terminal capacitance.
- GND Ground zero voltage potential.
- I_{DD} Supply current.
- I_I Input current.
- I_O Output current.
- T_C Case temperature.
- V_{DD} Positive supply voltage.

6.5.1 Timing limits. The table of timing values shows either a minimum or a maximum limit for each parameter. Input requirements are specified from the external system point of view. For example, address setup time would be shown as a minimum since the system must supply at least that much time (even though most devices do not require it). On the other hand, responses from the memory are specified from the device point of view. For example, the access time would be shown as a maximum since the device never provides data later than that time.

| | | | |
|---|-------------------|-----------------------------|---------------------|
| STANDARD MICROCIRCUIT DRAWING DEFENSE SUPPLY CENTER COLUMBUS COLUMBUS, OHIO 43216-5000 | SIZE A | | 5962-95626 |
| | | REVISION LEVEL D | SHEET 17 |

6.5.2 Waveforms.

| Waveform symbol | Input | Output |
|---|---------------------------------|-------------------------|
|  | MUST BE VALID | WILL BE VALID |
|  | CHANGE FROM H TO L | WILL CHANGE FROM H TO L |
|  | CHANGE FROM L TO H | WILL CHANGE FROM L TO H |
|  | DON'T CARE ANY CHANGE PERMITTED | CHANGING STATE UNKNOWN |
|  | | HIGH IMPEDANCE |

6.6 Sources of supply.

6.6.1 Sources of supply for device classes Q, T and V. Sources of supply for device classes Q, T and V are listed in QML-38535. The vendors listed in QML-38535 have submitted a certificate of compliance (see 3.6 herein) to DSCC-VA and have agreed to this drawing.

6.6.2 Approved sources of supply for device class M. Approved sources of supply for class M are listed in MIL-HDBK-103. The vendors listed in MIL-HDBK-103 have agreed to this drawing and a certificate of compliance (see 3.6 herein) has been submitted to and accepted by DSCC-VA.

| | | | |
|---|-------------------|---------------------|-------------------|
| STANDARD MICROCIRCUIT DRAWING DEFENSE SUPPLY CENTER COLUMBUS COLUMBUS, OHIO 43216-5000 | SIZE A | | 5962-95626 |
| | | REVISION LEVEL D | SHEET 18 |

STANDARD MICROCIRCUIT DRAWING SOURCE APPROVAL BULLETIN

DATE: 99-06-24

Approved sources of supply for SMD 5962-95626 are listed below for immediate acquisition only and shall be added to QML-38535 and MIL-HDBK-103 during the next revision. QML-38535 and MIL-HDBK-103 will be revised to include the addition or deletion of sources. The vendors listed below have agreed to this drawing and a certificate of compliance has been submitted to and accepted by DSCC-VA. This bulletin is superseded by the next dated revisions of QML-38535 and MIL-HDBK-103.

| Standard microcircuit drawing PIN 1/ | Vendor CAGE number | Vendor similar PIN 2/ |
|--------------------------------------|--------------------|-----------------------|
| 5962F9562601QXC | 34371 | HS1-6664RH-8 |
| 5962F9562601QYC | 34371 | HS9-6664RH-8 |
| 5962F9562601VXC | 34371 | HS1-6664RH-Q |
| 5962F9562601VYC | 34371 | HS9-6664RH-Q |
| 5962R9562601TXC | 34371 | HS1-6664RH-T |
| 5962R9562601TYC | 34371 | HS9-6664RH-T |

- 1/ The lead finish shown for each PIN representing a hermetic package is the most readily available from the manufacturer listed for that part. If the desired lead finish is not listed, contact the Vendor to determine its availability.
- 2/ Caution. Do not use this number for item acquisition. Items acquired to this number may not satisfy the performance requirements of this drawing.

Vendor CAGE
number

34371

Vendor name
and address

Harris Semiconductor
P. O. Box 883
Melbourne, FL 32902-0883

| |
|---|
| The information contained herein is disseminated for convenience only and the Government assumes no liability whatsoever for any inaccuracies in this information bulletin. |
|---|