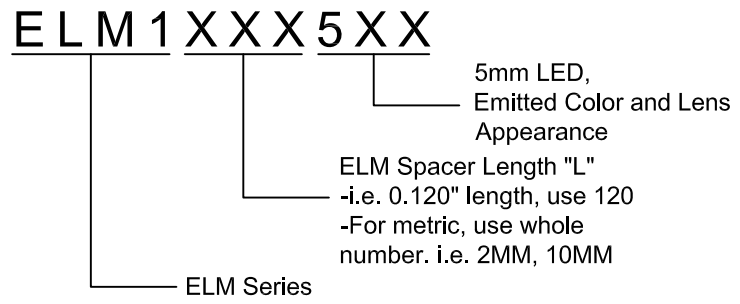
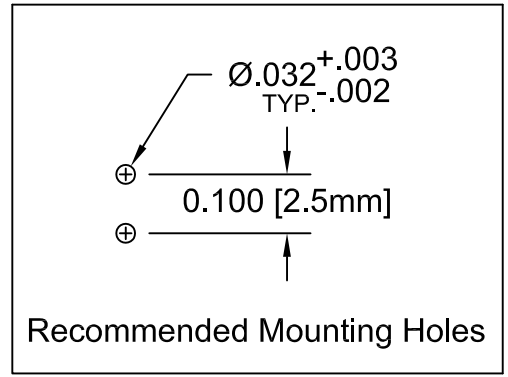
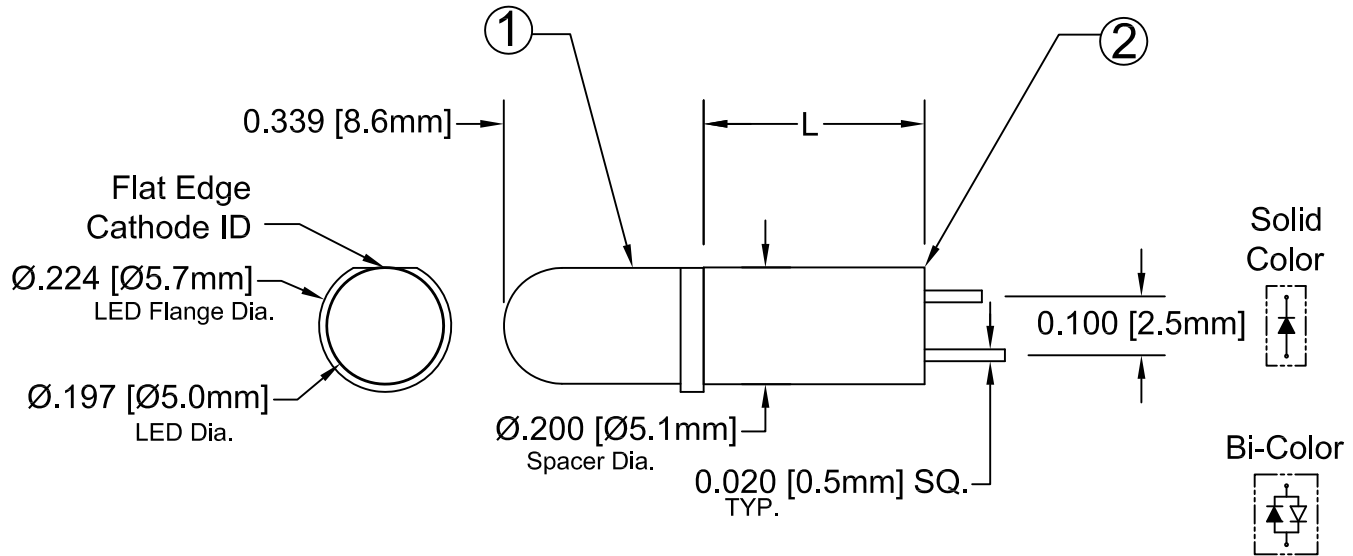


| ITEM | Q'TY | PART NUMBER | PART DESCRIPTION |
|------|------|-------------|-------------------------------------|
| 1 | 1 | 5XX-F | T-1¼ (5mm) Flanged LED, See Page 2 |
| 2 | 1 | ELM1-XXX | Extruded, Self-Retaining LED Spacer |

| REV. | DESCRIPTION | DATE | APPROVED |
|------|-----------------------------|----------|----------|
| C | Added 3SRC-F | 09/21/06 | M. C. |
| D | Added ELM1XXX5HT Specs | 07/23/08 | M. C. |
| E | Removed Tolerance Note. | 09/03/08 | M. C. |
| F | Updated Specs. | 09/23/08 | M. C. |
| G | Added P/N Designation Note. | 07/22/09 | T. Y. |



| SHORT LEAD CATHODE | PART NO. | LONG LEAD CATHODE |
|--------------------|-----------|-------------------|
| RED | 5BC-F | GREEN |
| YELLOW | 5BC-Y/G-F | GREEN |
| RED | 5BC-R/Y-F | YELLOW |


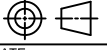
ABSOLUTE MAXIMUM RATINGS (Ta=25°C)

| | | |
|---|-------|----------------------|
| REVERSE VOLTAGE | _____ | 5V |
| REVERSE CURRENT | _____ | 100µA |
| OPERATING TEMPERATURE RANGE | _____ | -25° C - 85° C |
| STORAGE TEMPERATURE | _____ | -30° C - 100° C |
| LEAD SOLDERING TEMPERATURE(1/16" FROM BODY) | _____ | 260° C FOR 5 SECONDS |

| | | | |
|---|----------------|---|----------------------------|
| STANDARD TOLERANCE (UNLESS OTHERWISE SPECIFIED) | | BIVAR ® 4 THOMAS, IRVIN, CA. 92618 TEL: (949) 951-8808 FAX: (949) 951-3974 | |
| DECIMALS | ANGULAR | | |
| .X ±.1 | X° ± 1° | | |
| .XX ±.02 | | TITLE: EXTRUDED VERTICAL T-1¼ (5mm) LED NARROW PROFILE ASSY | |
| .XXX ±.010 | | | PART NO: ELM1XXX5XX |
| DESIGNED: Ty Yin | DATE: 03/10/04 | REVISION: G | |
| CHECKED: David Green | DATE: 03/10/04 | CAGE CODE: 32559 | SHEET # 1 OF 2 |
| CAD GENERATED DOCUMENT. DO NOT MEASURE DRAWING. | | | |

| | | | |
|------|--------------|------|----------|
| REV. | DESCRIPTION | DATE | APPROVED |
| | SEE SHEET#1. | | |
| | | | |

| LED Assy. No. | Peak Wave Length λ_p (nm) | Emitted Color | Lens Appearance | Electro-Optical Data | | | | Viewing Angle $2\theta_{1/2}$ (Deg) | LED P/N |
|--------------------|--------------------------------------|---------------|-------------------|----------------------|-----------|-----|-------------|---|-----------|
| | | | | If (mA) | Vf (V) | | Iv (mcd) | | |
| | | | | TYP | TYP | MAX | TYP | | |
| STANDARD | | | | Data @ 20mA | | | | | |
| ELM1XXX5AD | 605 | AMBER | DIFFUSED | 20 | 2.0 | 2.8 | 25 | 40 | 5AD-F |
| ELM1XXX5BWD | 430 | BLUE | DIFFUSED | 20 | 4.0 | 4.5 | 15 | 40 | 5BWD-F |
| ELM1XXX5GD | 568 | GREEN | DIFFUSED | 20 | 2.1 | 2.8 | 25 | 40 | 5GD-F |
| ELM1XXX5YD | 590 | YELLOW | DIFFUSED | 20 | 2.0 | 2.8 | 25 | 40 | 5YD-F |
| ELM1XXX5HD | 625 | HE RED | DIFFUSED | 20 | 2.0 | 2.8 | 40 | 40 | 5HD-F |
| ELM1XXX5HT | 625 | HE RED | TINTED | 20 | 2.0 | 2.8 | 50 | 35 | 5HT-F |
| ELM1XXX5RD | 700 | RED | DIFFUSED | 20 | 2.1 | 2.8 | 2 | 40 | 5RD-F |
| ELM1XXX5SRC | 645 | SUPER RED | CLEAR | 20 | 1.7 | 2.4 | 60 | 35 | 5SRC-F |
| ELM1XXX5SRD | 645 | SUPER RED | DIFFUSED | 20 | 1.7 | 2.4 | 40 | 40 | 5SRD-F |
| ELM1XXX5BC | 625 | HE RED | WHITE DIFFUSED | 20 | 2.0 | 2.8 | 8 | 45 | 5BC-F |
| | 568 | GREEN | | 20 | 2.1 | 2.8 | 8 | | |
| ELM1XXX5BC-Y/G | 590 | YELLOW | WHITE DIFFUSED | 20 | 2.0 | 2.8 | 6 | 45 | 5BC-Y/G-F |
| | 568 | GREEN | | 20 | 2.1 | 2.8 | 8 | | |
| ELM1XXX5BC-R/Y | 590 | YELLOW | WHITE DIFFUSED | 20 | 2.0 | 2.8 | 6 | 45 | 5BC-R/Y-F |
| | 625 | HE RED | | 20 | 2.0 | 2.8 | 8 | | |
| LOW CURRENT | | | | Data @ 2mA | | | | | |
| ELM1XXX5GDL | 568 | GREEN | DIFFUSED | 2 | 2.1 | 2.6 | 4 | 40 | 5GDL-F |
| ELM1XXX5YDL | 590 | YELLOW | DIFFUSED | 2 | 2.0 | 2.6 | 4 | 40 | 5YDL-F |
| ELM1XXX5HDL | 625 | HE RED | DIFFUSED | 2 | 2.0 | 2.6 | 5 | 40 | 5HDL-F |
| 5 VOLT | | | | Data @ 5V | | | | | |
| ELM1XXX5GD5V | 568 | GREEN | DIFFUSED | 8 | - | 5.0 | 25 | 40 | 5GD5V-F |
| ELM1XXX5YD5V | 590 | YELLOW | DIFFUSED | 8 | - | 5.0 | 25 | 40 | 5YD5V-F |
| ELM1XXX5HD5V | 625 | HE RED | DIFFUSED | 8 | - | 5.0 | 30 | 40 | 5HD5V-F |

| | | | |
|---|--------------------------|--|-----------------------|
| STANDARD TOLERANCE (UNLESS OTHERWISE SPECIFIED) $\pm 10\%$ ALL VALUES | |  BIVAR [®] 4 THOMAS, IRVINE, CA. 92618 TEL: (949) 951-8808 FAX: (949) 951-3974 | |
| ANGULAR $X^\circ \pm 5^\circ$ | | | |
|  | | TITLE: EXTRUDED VERTICAL T-1¼ (5mm) LED NARROW PROFILE ASSY | |
| DESIGNED: Ty Yin | DATE: 03/10/04 | PART NO: ELM1XXX5XX | REVISION: G |
| CHECKED: D. Green | DATE: 03/10/04 | CAGE CODE : 32559 | SHEET # 2 OF 2 |
| CAD GENERATED DOCUMENT, DO NOT MEASURE DRAWING. | | | |