

PLEASE CHECK WWW.MOLEX.COM FOR LATEST PART INFORMATION

Part Number: [0850132282](#)
Status: **Active**
Overview: [din_41612](#)
Description: 2.54mm (.100") Pitch DIN 41612 Header, Through Hole, Vertical, C-Pin Press-Fit Style R Reverse, 1µm (40µ") Selective Gold (Au), 64 Circuits, Lead free

Documents:

[3D Model](#) [Product Specification PS-85013-0002 \(PDF\)](#)
[Drawing \(PDF\)](#) [RoHS Certificate of Compliance \(PDF\)](#)

Agency Certification

CSA LR19980
 UL E29179

General

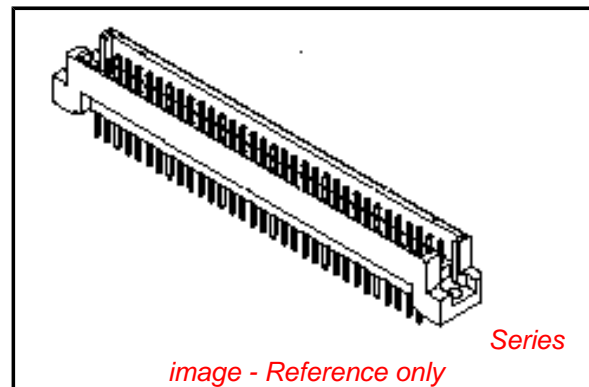
Product Family Backplane Connectors
 Series [85013](#)
 Application Daughtercard
 Component Type PCB Header
 Overview [din_41612](#)
 Product Name IEC 603-2/DIN 41612
 Style R

Physical

Circuits (Loaded) 64
 Circuits (maximum) 96
 Circuits Detail Rows A & C
 Durability (mating cycles max) 500
 First Mate / Last Break No
 Flammability 94V-0
 Guide to Mating Part No
 Keying to Mating Part Yes
 Number of Columns 32
 Number of Pairs Open Pin Field
 Number of Rows 3
 Orientation Vertical
 PC Tail Length (in) 0.522 In
 PC Tail Length (mm) 13.25 mm
 PCB Locator No
 PCB Retention Yes
 Packaging Type Tray
 Pitch - Mating Interface (in) 0.100 In
 Pitch - Mating Interface (mm) 2.54 mm
 Pitch - Term. Interface (in) 0.100 In
 Pitch - Term. Interface (mm) 2.54 mm
 Plating min: Mating (µin) 39
 Plating min: Mating (µm) 1
 Polarized to PCB No
 Stackable No
 Surface Mount Compatible (SMC) No
 Temperature Range - Operating -55°C to +125°C

Electrical

Current - Maximum per Contact 2.5A
 Data Rate 622.0 Mbps
 Real Signals (per 25mm) 30



EU RoHS

ELV and RoHS Compliant
REACH SVHC
 Not Reviewed
Halogen-Free Status
 Not Reviewed

China RoHS



Need more information on product environmental compliance?

Email productcompliance@molex.com
 For a multiple part number RoHS Certificate of Compliance, [click here](#)

Please visit the [Contact Us](#) section for any non-product compliance questions.

Search Parts in this Series

[85013Series](#)

Mates With

[85042](#) DIN 41612 Receptacle . [85052](#) DIN 41612 Header

Use With

[85089-1079](#) Press-in Tool

Shielded
Voltage - Maximum

No
1000V (RMS)

Material Info

Reference - Drawing Numbers

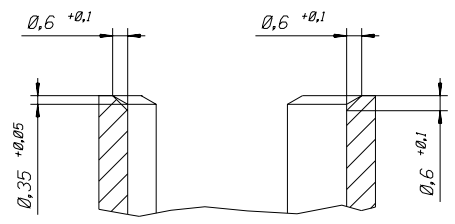
Product Specification
Sales Drawing

PS-85013-0002
610-6043-201, SD-85013-2282

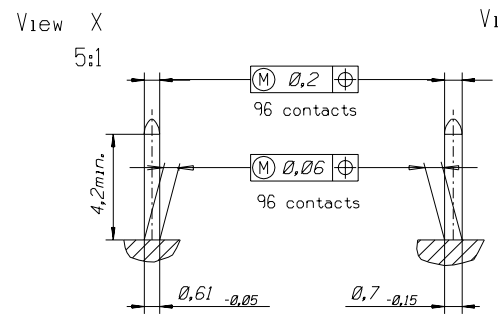
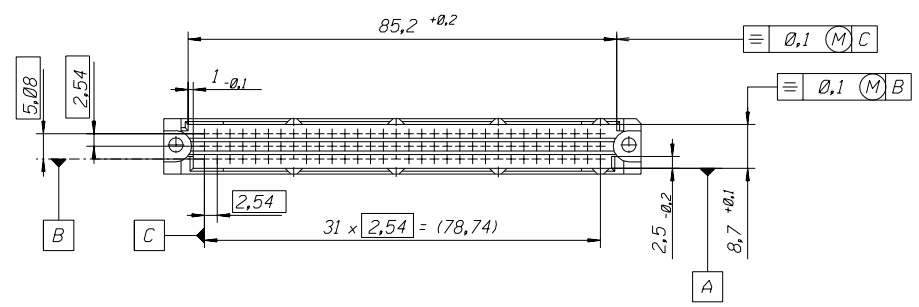
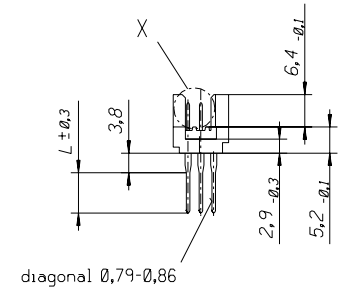
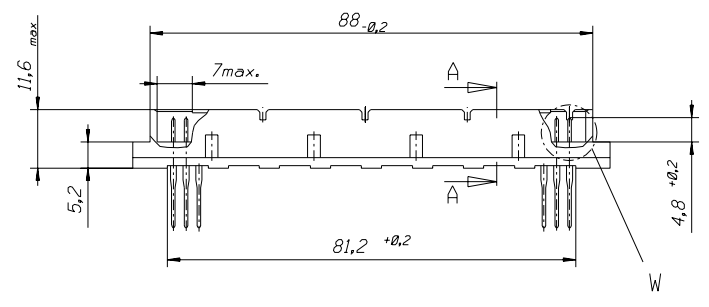
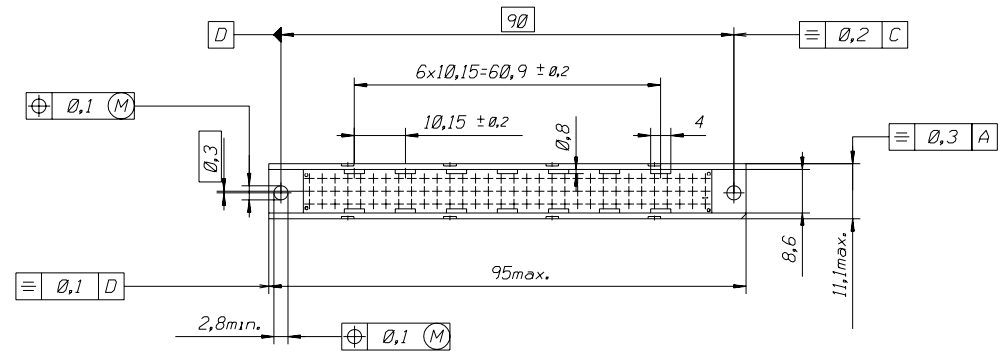
This document was generated on 05/17/2010

PLEASE CHECK WWW.MOLEX.COM FOR LATEST PART INFORMATION

PART NO.
DWG. NO.



section A-A
5:1



View X
5:1

View W
5:1

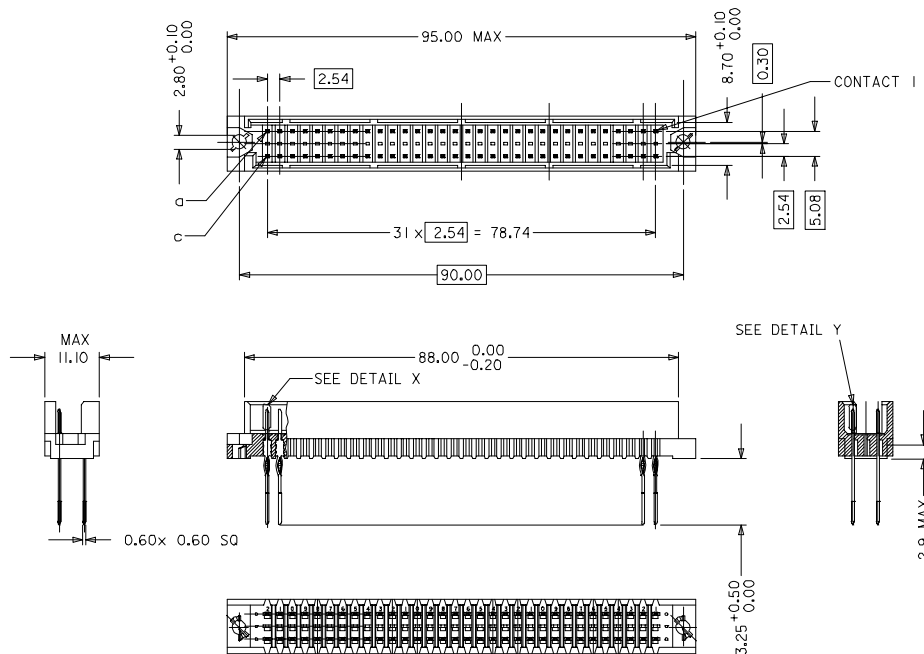
FIRST ANGLE PROJECTION REVISE ONLY ON CAD SYSTEM SH. REV.

UNLESS OTHERWISE SPECIFIED TOLERANCES: ANGULAR ±2'	DRWG BY	Ca
	CHK'D BY	KN
	APP'D BY	
	SCALE	1:1
DESIGN DIMENSION	<input checked="" type="checkbox"/> MM	
	<input type="checkbox"/> IN.	
EQUIVALENT DIMENSION	<input type="checkbox"/> MM	
	<input type="checkbox"/> IN.	
IF TWO DIMENSIONS ARE SHOWN THE UPPER IS THE DESIGN DIMENSION, LOWER IS SECONDARY		

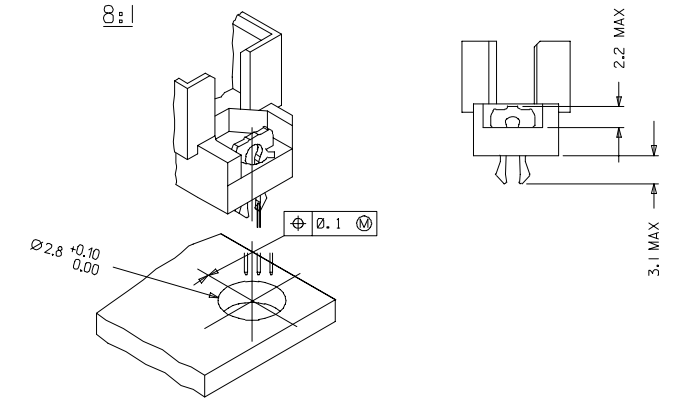
SIGN	
SIGN	
SIGN	

CAD/CAM PROJECT NAME		SH.	REV.
THIS DRAWING CONTAINS INFORMATION THAT IS PROPRIETARY TO MOLEX INC. & SHOULD NOT BE USED WITHOUT WRITTEN PERMISSION			
TITLE			
96 pos. Male connector DIN 41612 style R (C-Pin) Dimensions			
MOLEX EUROPE		SHEET NO.	DATE
		1 OF 3	9/11/28
PART NO.	DWG NO.	SIZE	
see sh. no. 2 of 3	610-6043-201	B	

ECN	MC2003-0052
WM RELEASE	02-08-15 EF
LTR	REVISIONS
FOR PREVIOUS REVISIONS SEE WRL LIST	

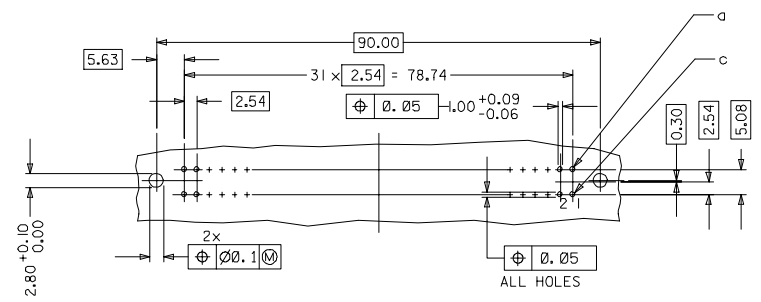


WITH MOUNTING CLIPS



- NOTES:
- 1) MATERIALS: THERMOPLASTIC POLYESTER, GLASS FILLED, UL94-V0
 COLOUR: PEBBLE GREY RAL 7032
 TERMINAL - PHOSPHOR BRONZE
 MOUNTING CLIP: STEEL
 - 2) FINISH: TERMINAL:-
 CONTACT AREA :
 PERFORMANCE LEVEL 2: SELECTIVE GOLD (Au), THICKNESS = 0.8 MICROMETER
 OVER NICKEL, THICKNESS = 1.25 MICROMETER MIN
 PRESS-IN AREA :
 Au FLASH
 OVER NICKEL, THICKNESS = 1.25 MICROMETER MIN OVERALL
 WIRE WRAP AREA :
 PERFORMANCE LEVEL 2: SELECTIVE GOLD (Au), THICKNESS = 0.8 MICROMETER
 OVER NICKEL, THICKNESS = 1.25 MICROMETER MIN
 - 3) MOUNTING CLIP:-
 TIN (Sn), THICKNESS = 5-10 MICROMETER,
 OVER NICKEL (Ni), THICKNESS = 2.5 MICROMETER
 - 4) FOR NON MOUNTING CLIP OPTION, CONNECTOR TO BE SECURED WITH
 RIVETS: 2 TUBULAR RIVETS 2.5 x 0.3 ... DIN 7340
 SCREWS: 2 CHEESEHEAD SCREWS M2.5 x ... DIN 84 AND 2 HEXAGONAL NUTS M2.5 DIN 934
 - 5) MATERIAL NUMBER, BATCH CODE, UL AND CSA MARKING
 TO BE PRINTED ON THE CONNECTOR
 - 6) CUT FACE OF TIP WITHOUT PLATING PERMITTED
 - 7) PRODUCT SPECIFICATION PS : 36515-001

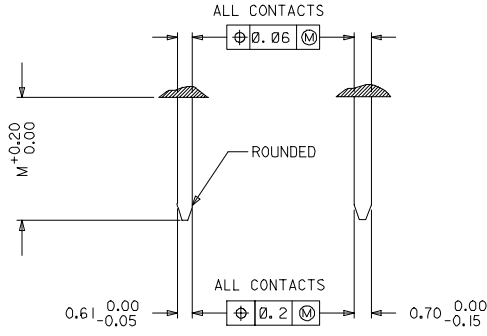
RECOMMENDED PCB LAYOUT
COMPONENT SIDE



EC NO. 12005-0365 DRAWN BY SIVAKUMAR CHECKED BY SUDHIR APPROVED BY SUDHIR	QUALITY SYMBOLS ▽=0 ▽=0	GENERAL TOLERANCES (UNLESS SPECIFIED)		DIMENSION STYLE MM ONLY		SCALE 2:1	DESIGN UNITS METRIC	THIRD ANGLE PROJECTION	
		mm	INCH	DRAWN BY SIVAKUMAR	DATE 2005/01/06	TITLE ASSY. DIN 41612. R MALE 64POS. A+C LOADED, PRESS-IN, WIRE WRAP	MATERIAL NO. 85013-2282 DOCUMENT NO. SD-85013-2282		
DRAWING SYMBOLS		4 PLACES ±---	±---	3 PLACES ±0.05	±---	CHECKED BY SUDHIR	DATE 2005/01/06	SHEET NO. 1 OF 2	
DESCRIPTION		2 PLACES ±0.1	±---	1 PLACE ±0.15	±---	APPROVED BY SUDHIR	DATE 2005/01/06	MATERIAL NO. 85013-2282 DOCUMENT NO. SD-85013-2282	
DRAFT WHERE APPLICABLE MUST REMAIN WITHIN DIMENSIONS		ANGULAR ± 2 °		SIZE A1		THIS DRAWING CONTAINS INFORMATION THAT IS PROPRIETARY TO MOLEX INCORPORATED AND SHOULD NOT BE USED WITHOUT WRITTEN PERMISSION			

20	19	18	17	16	15	14	13	12	11	10	9	8	7	6	5	4	3	2	1
MATERIAL No.	MOLEX ENG No.	PERF LEVEL	FINISH		CONTACT SEQUENCE/ROW	DIM "L" MM	MOUNTING CLIP	FMLB											
85013-2282	-	2	CONTACT AREA	TERMINATION AREA	L2.3...32 a+c	13.25	NO	NO											
			Au + Ni	Au + Ni															

DETAILY DETAILX



PRE MATING CONTACTS	5.4
NORMAL CONTACTS	4.8
	M

IEC NO. 12005-0365 DRWNSIYAKUMAR 2005/01/10 CHKDSSUDHIR 2005/01/10 APPR:KRAASAI 2005/01/10	QUALITY SYMBOLS ▽=0 ▽=0	GENERAL TOLERANCES (UNLESS SPECIFIED)		DIMENSION STYLE MM ONLY	SCALE 2:1	DESIGN UNITS METRIC	THIRD ANGLE PROJECTION
		mm	INCH	DRAWN BY SIVAKUMAR 2005/01/06	DATE 2005/01/06	TITLE ASSY. DIN 41612, R MALE 64POS, A+C LOADED, PRESS-IN, WIRE WRAP	
A	DESCRIPTION	4 PLACES ± 0.15 ± 0.15	3 PLACES ± 0.05 ± 0.05	2 PLACES ± 0.1 ± 0.1	1 PLACE ± 0.15 ± 0.15	APPROVED BY SSUDHIR 2005/01/06	DATE 2005/01/06
		ANGULAR ± 2 °		DRAFT WHERE APPLICABLE MUST REMAIN WITHIN DIMENSIONS		MATERIAL NO. 85013-2282	DOCUMENT NO. SD-85013-2282
		THIS DRAWING CONTAINS INFORMATION THAT IS PROPRIETARY TO MOLEX INCORPORATED AND SHOULD NOT BE USED WITHOUT WRITTEN PERMISSION					