

Doc. version	0
Effective date	2002.05.22
Total pages	19
(Not include this cover page)	

Product Specification

3.5" COLOR TFT-LCD MODULE

MODEL NAME: A035CN01

- () Preliminary Specification
- () Final Specification

Note: The content of this specification is subject to change.

© 2002 AU Optronics
All Rights Reserved,
Do Not Copy.

Contents:

A. Physical specifications **P3**

B. Electrical specifications **P4**

 1. Pin assignment **P4**

 2. Absolute maximum ratings **P5**

 3. Electrical characteristics **P6**

 a. Typical operating conditions **P6**

 b. Current consumption **P6**

 4. AC Timing **P7**

 a. Timing conditions **P7**

 b. Timing diagram **P7**

C. Optical specifications **P8**

D. Reliability test items **P10**

E. Packing form **P11**

Appendix:

Fig.1 Outline dimension of TFT-LCD module **P12**

Fig.2 Sampling clock timing **P13**

Fig.3 Horizontal display timing range **P14**

Fig.4-(a) Horizontal timing **P15**

Fig.4-(b) Detail horizontal timing **P16**



Fig.5 Vertical shift clock timing. **P17**
Fig.6-(a) Vertical timing (From up to down).. **P18**
Fig.6-(b) Vertical timing (From down to up) **P19**

A. Physical specifications

NO.	Item	Specification	Remark
1	Display resolution(dot)	480(W)×234(H)	
2	Active area(mm)	72(W)×50.544(H)	
3	Screen size(inch)	3.5(Diagonal)	
4	Dot pitch(mm)	0.150(W)×0.216(H)	
5	Color configuration	R. G. B. delta	
6	Overall dimension(mm)	82.8(W)×60(H)×6(D)	Note 1
7	Weight(g)	TBD	

Note 1: Refer to Fig. 1.

B. Electrical specifications

1. Pin assignment

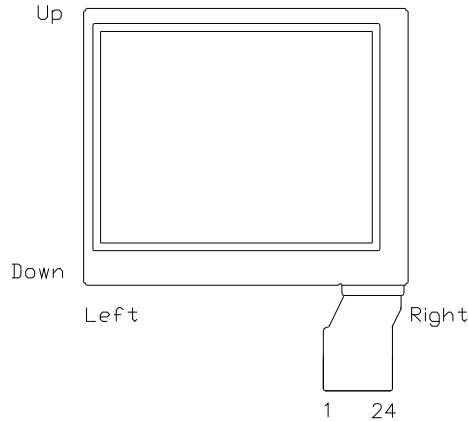
Pin no	Symbol	I/O	Description	Remark
1	STHL	I/O	Start pulse for horizontal scan line	Note 1
2	OEH	I	Output enable input for data driver	
3	Q1H	I	Analog signal rotate input	
4	CPH1	I	Sampling and shifting clock pulse for data driver	
5	CPH2	I	Sampling and shifting clock pulse for data driver	
6	CPH3	I	Sampling and shifting clock pulse for data driver	
7	GND	-	Ground	
8	VB	I	Alternated video signal input(Blue)	
9	VG	I	Alternated video signal input(Green)	
10	VR	I	Alternated video signal input(Red)	
11	NC	-	This pin should be electrical opened during operation	
12	L/R	I	Left/Right scan control input	Note 1,2
13	STHR	I/O	Start pulse for horizontal scan line	Note 1
14	AV _{DD}	I	Supply voltage for analog circuit	
15	VCOM	I	Common electrode driving signal	
16	V _{GH}	I	Positive power for scan driver	
17	V _{CC}	I	Logic power for scan & data driver	
18	STVL	I/O	Vertical start pulse	Note 1
19	OEV	I	Output enable input for scan driver	
20	CKV	I	Shift clock input for scan driver	
21	U/D	I	UP/DOWN scan control input	Note 1,2
22	STVR	I/O	Vertical start pulse	Note 1
23	NC	-	This pin should be electrical opened during operation	
24	V _{GL}	I	Negative power for scan driver	

Note 1 : Selection of scanning mode

Setting of scan control input		IN/OUT state For start pulse				Scanning direction
U/D	L/R	STVR	STVL	STHR	STHL	
GND	V _{CC}	OUT	IN	OUT	IN	From up to down, and from left to right.
V _{CC}	GND	IN	OUT	IN	OUT	From down to up, and from right to left.
GND	GND	OUT	IN	IN	OUT	From up to down, and from right to left.
V _{CC}	V _{CC}	IN	OUT	OUT	IN	From down to up, and from left to right.

IN: Input; OUT: Output.

Note 2 : Definition of scanning direction. Refer to figure as below:



2. Absolute maximum ratings

Item	Symbol	Condition	Min.	Max.	Unit	Remark
Power voltage	V_{CC}	GND=0	-0.3	7	V	
	AV_{DD}	$AV_{SS}=0$	-0.3	7	V	
	V_{GH}	GND=0	-0.3	18	V	
	V_{GL}		-18	0.3	V	
	$V_{GH}-V_{GL}$		-	33	V	
Input signal voltage	V_i		-0.3	$AV_{DD}+0.3$	V	Note 1
	V_I		-0.3	$V_{CC}+0.3$	V	Note 2
	VCOM		-2.9	5.2	V	
Operating temperature	Topa		0	60	°C	Ambient temperature
Storage temperature	Tstg		-25	80	°C	Ambient temperature

Note 1: VR, VG, VB

Note 2: STHL, STHR, Q1H, OEH, L/R, CPH1~CPH3, STVR, STVL, OEV, CKV, U/D.

3. Electrical characteristics

a. Typical operating conditions (GND=AVss=0V, Note 5)

Item	Symbol	Min.	Typ.	Max.	Unit	Remark
Power supply	V_{CC}	3	5	5.2	V	
	AV_{DD}	4.8	5	5.2	V	
	V_{GH}	14.3	15	15.7	V	
	V_{GLAC}	3.5	5	7.5	Vp-p	AC component of V_{GL} . Note 1

	V_{GL_H}	-10	-9.5	-9	V	High level of V_{GL} .
Video signal Amplitude (VR, VG, VB)	V_{iA}	$AV_{SS}+0.4$	-	$AV_{DD}-0.4$	V	Note 2
	V_{iAC}	-	3	-	V	AC component
	V_{iDC}	-	$AV_{DD}/2$	-	V	DC component
VCOM	V_{CAC}	3.5	5	7.5	Vp-p	AC component, Note 3
	V_{CDC}	-	1.1	-	V	DC component
Input Signal voltage	H Level	V_{IH}	$0.8V_{CC}$	-	V_{CC}	Note 4
	L Level	V_{IL}	0	-	$0.2V_{CC}$	

Note 1: The same phase and amplitude with common electrode driving signal (VCOM).

Note 2: Refer to Fig.4- (a)

Note 3: The brightness of LCD panel could be adjusted by the adjustment of the AC component of VCOM.

Note 4: STHL, STHR, Q1H, OEH, L/R, CPH1~CPH3, STVR, STVL, OEV, CKV, U/D.

Note 5: Be sure to apply GND, V_{CC} , V_{GL} to the LCD first, and then apply V_{GH} .

b. Current consumption (GND= AV_{SS} =0V)

Parameter	Symbol	Condition	Min.	Typ.	Max.	Unit	Remark
Current for driver	I_{GH}	$V_{GH}=15V$	-	50	100	μA	
	I_{GL}	$V_{GL_H}=-9.5V$	-	-0.2	-0.6	mA	
	I_{CC}	$V_{CC}=5V$	-	1.5	4	mA	
	I_{DD}	$AV_{DD}=5V$	-	5	10	mA	

c. Backlight driving conditions

Parameter	Symbol	Min.	Typ.	Max.	Unit	Remark
Lamp voltage	V_L	-	260	290	Vrms	Note 3
Lamp current	I_L	2.3	2.5	3.3	mArms	
Frequency	F_L	55	60	65	kHz	Note 3,4
Lamp starting voltage	V_S	-	-	550	Vrms	Note 1,3,5
		-	-	850	Vrms	Note 2,3,5

Note 1: $T_a = 25^{\circ}C$.

Note 2: $T_a = 0^{\circ}C$.

Note 3: Reference value, correct value is subject to final backlight specification which will be decided in the future.

Note 4: The lamp frequency should be selected as different as possible from display horizontal synchronous signal to avoid interference.

Note 5: For starting the backlight unit, the output voltage of DC/AC's transformer should be larger than the maximum lamp starting voltage.

4. AC Timing

a. Timing conditions

Parameter	Symbol	Min.	Typ.	Max.	Unit.	Remark
Rising time	t_r	-	-	10	ns	Note 1
Falling time	t_f	-	-	10	ns	Note 1
High and low level pulse width	t_{CPH}	299	308	319	ns	CPH1~CPH3
CPH pulse duty	t_{CWH}	40	50	60	%	CPH1~CPH3
CPH pulse delay	t_{C12} t_{C23} t_{C31}	70	$t_{CPH}/3$	$t_{CPH}/2$	ns	CPH1~CPH3
STH setup time	t_{SUH}	35	-	-	ns	STHR,STHL
STH hold time	t_{HDH}	35	-	-	ns	STHR,STHL
STH pulse width	t_{STH}	-	1	-	t_{CPH}	STHR,STHL
STH period	t_H	61.5	63.5	65.5	μs	STHR,STHL
OEH pulse width	t_{OEH}	-	3	-	t_{CPH}	OEH
Sample and hold disable time	t_{DIS1}	4	8.6	-	μs	
OEV pulse width	t_{OEV}	-	12	-	t_{CPH}	OEV
CKV pulse width	t_{CKV}	16	28	40	t_{CPH}	CKV
Clean enable time	t_{DIS2}	-	10	-	t_{CPH}	
Horizontal display start	t_{SH}	-	0	-	$t_{CPH}/3$	
Horizontal display timing range	t_{DH}	-	480	-	$t_{CPH}/3$	
STV setup time	t_{SUV}	400	-	-	ns	STVL,STVR
STV hold time	t_{HDV}	400	-	-	ns	STVL,STVR
STV pulse width	t_{STV}	-	-	1	t_H	STVL,STVR
Horizontal lines per field	t_v	256	262	268	t_H	
Vertical display start	t_{SV}	-	3	-	t_H	
Vertical display timing range	t_{DV}	-	234	-	t_H	
VCOM rising time	t_{COM}	-	-	3	μs	
VCOM falling time	t_{COM}	-	-	3	μs	
VCOM delay time	t_{DCOM}	-	-	3	μs	
RGB delay time	t_{DRGB}	-	-	1	μs	

Note 1: For all of the logic signals.

b. Timing diagram

Please refer to the attached drawings, from Fig.2 to Fig.6.

C. Optical specification (Note 1,Note 2, Note 3)

Item	Symbol	Condition	Min.	Typ.	Max.	Unit	Remark
Response time	Rise	$\theta = 0^\circ$	-	20	30	ms	Note 4, 6
	Fall		-	30	40	ms	
Contrast ratio	CR	At optimized viewing angle	100	150	-		Note 5, 6
Viewing angle	Top	$CR \geq 10$	10	-	-	deg.	Note 6, 7
	Bottom		30	-	-		
	Left		40	45	-		
	Right		40	45	-		
Brightness	Y_L	$\theta = 0^\circ$	200	250	-	nit	Note 8
White chromaticity shift	X	$\theta = 0^\circ$	0.26	0.31	0.36		
	y		0.28	0.33	0.38		

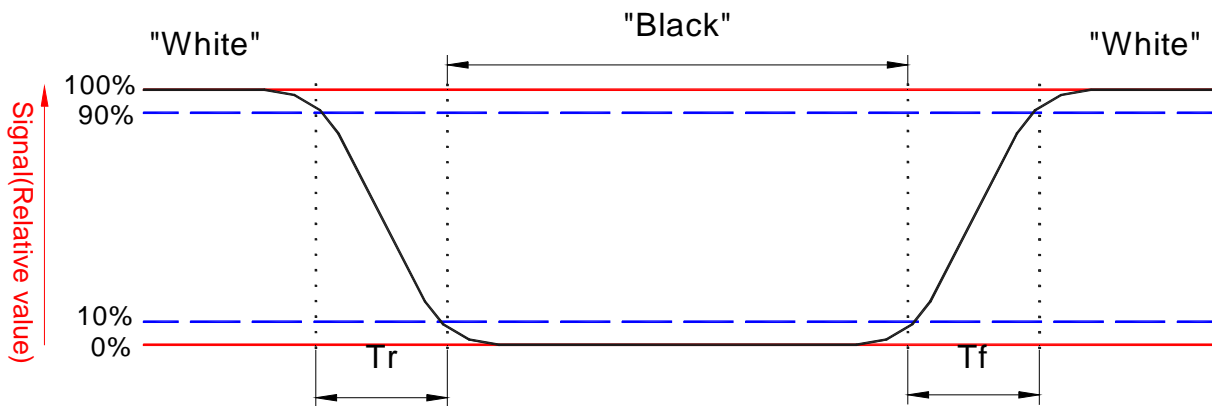
Note 1: Ambient temperature =25°C.

Note 2: To be measured in the dark room.

Note 3: To be measured at the center area of panel with a viewing cone of 1° by Topcon luminance meter BM-7, after 10 minutes operation.

Note 4: Definition of response time:

The output signals of photodetector are measured when the input signals are changed from "black" to "white"(falling time) and from "white" to "black"(rising time), respectively. The response time is defined as the time interval between the 10% and 90% of amplitudes. Refer to figure as below.



Note 5. Definition of contrast ratio:

Contrast ratio is calculated with the following formula.

$$\text{Contrast ratio (CR)} = \frac{\text{Photodetector output when LCD is at "White" state}}{\text{Photodetector output when LCD is at "Black" state}}$$

Note 6. White $V_i = V_{i50} \mp 1.5V$

Black $V_i = V_{i50} \pm 2.0V$

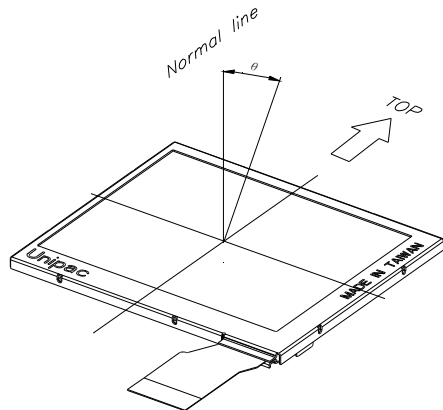
" \pm " means that the analog input signal swings in phase with COM signal.

" \mp " means that the analog input signal swings out of phase with COM signal.

V_{i50} : The analog input voltage when transmission is 50%

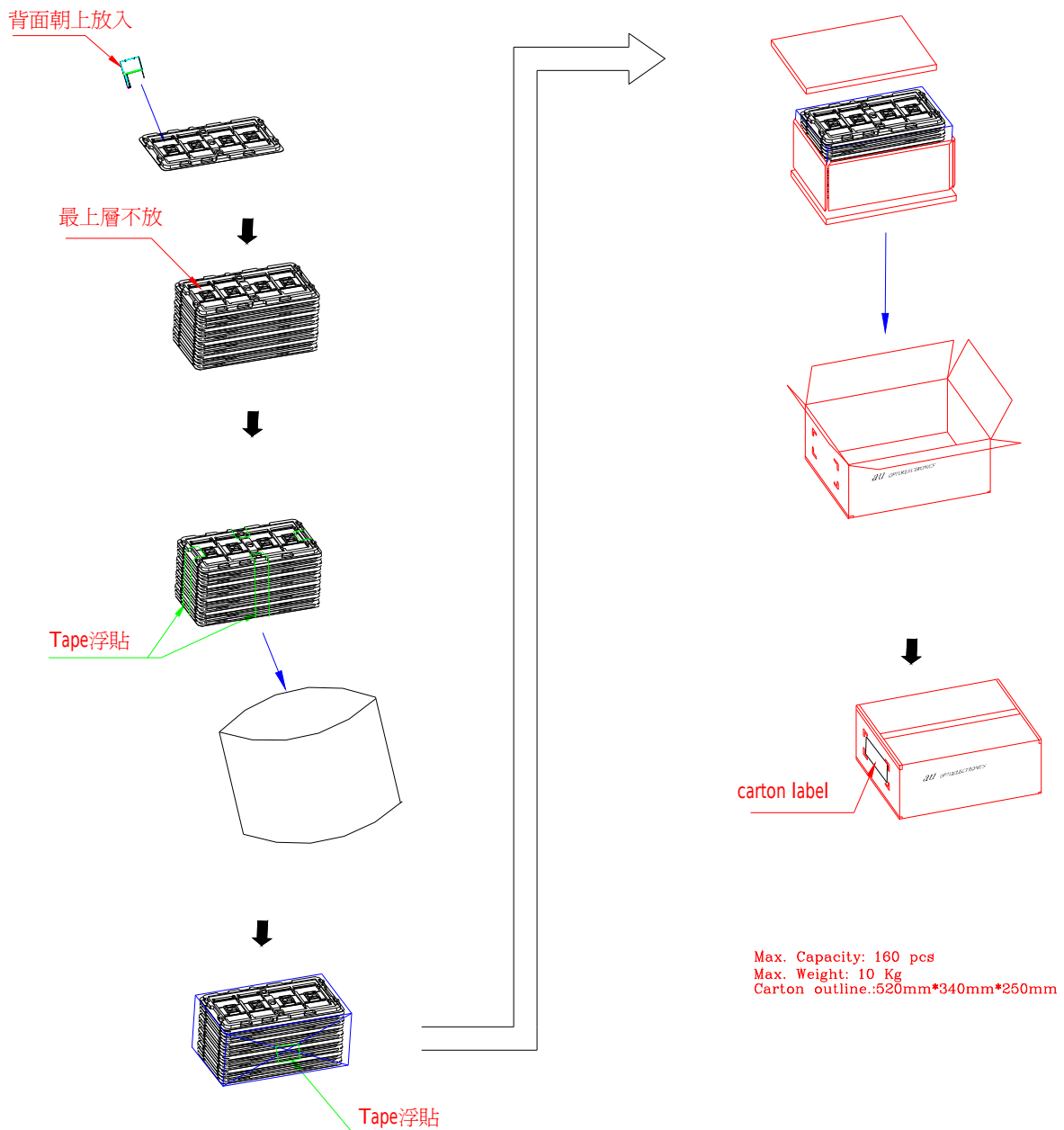
The 100% transmission is defined as the transmission of LCD panel when all the input terminals of module are electrically opened.

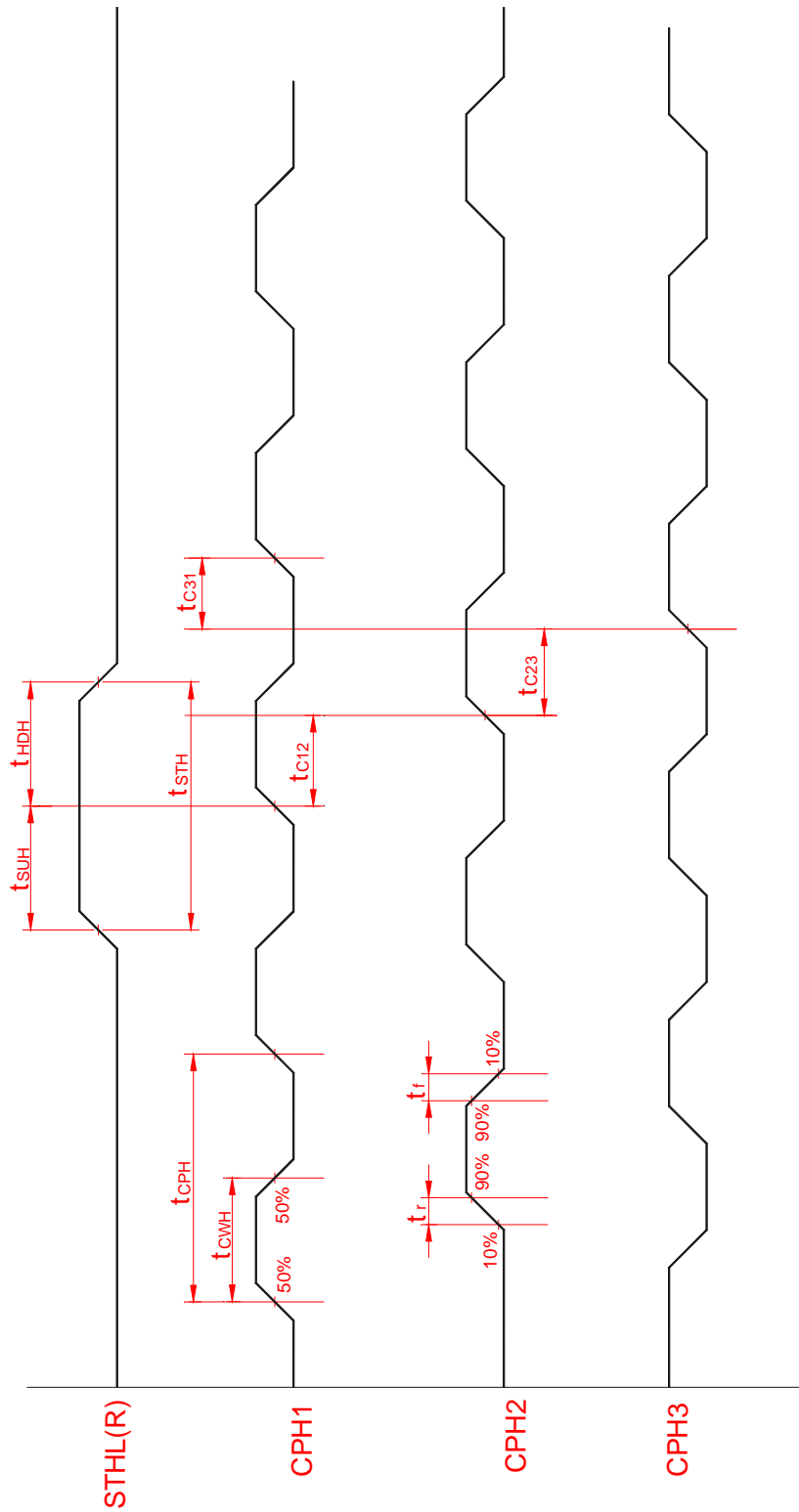
Note 7. Definition of viewing angle: Refer to figure as below.

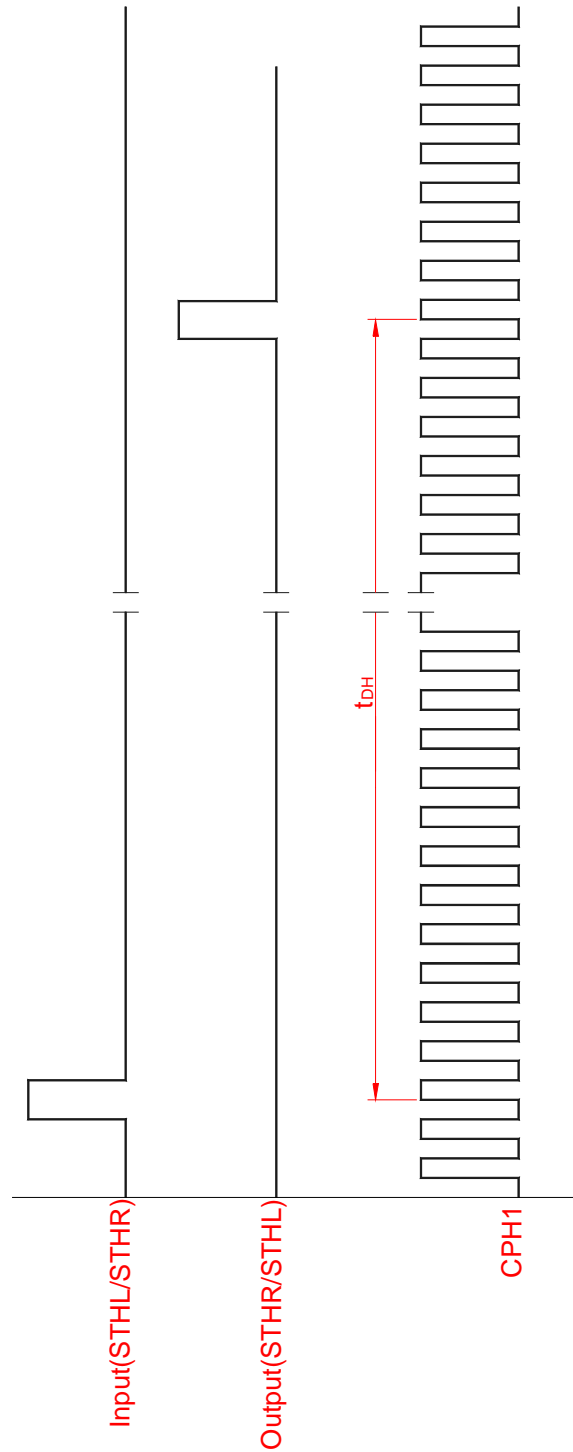


Note 8. Measured at the center area of the panel when all the input terminals of LCD panel are electrically opened.

E. Packing form







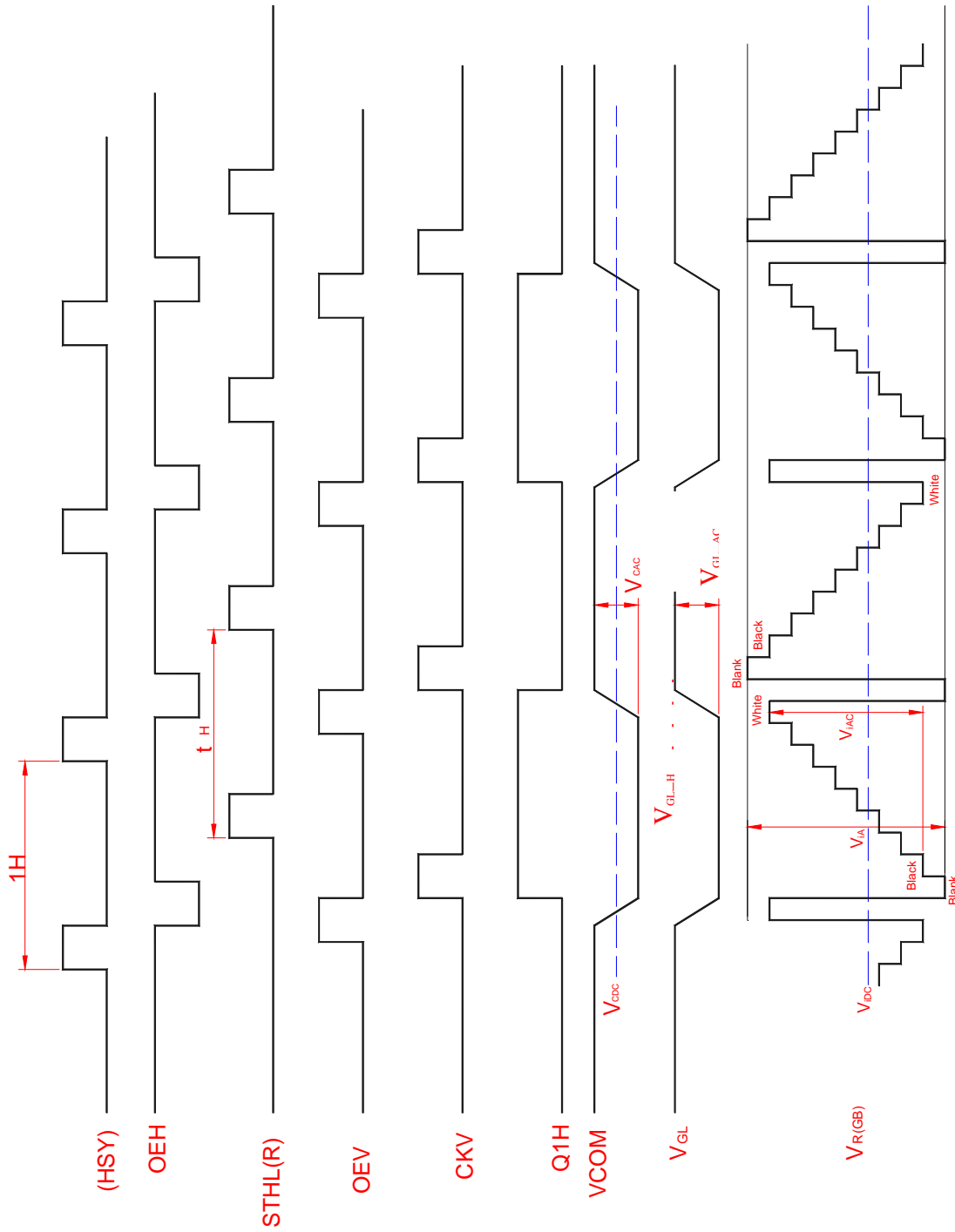


Fig.4(a) Horizontal timing

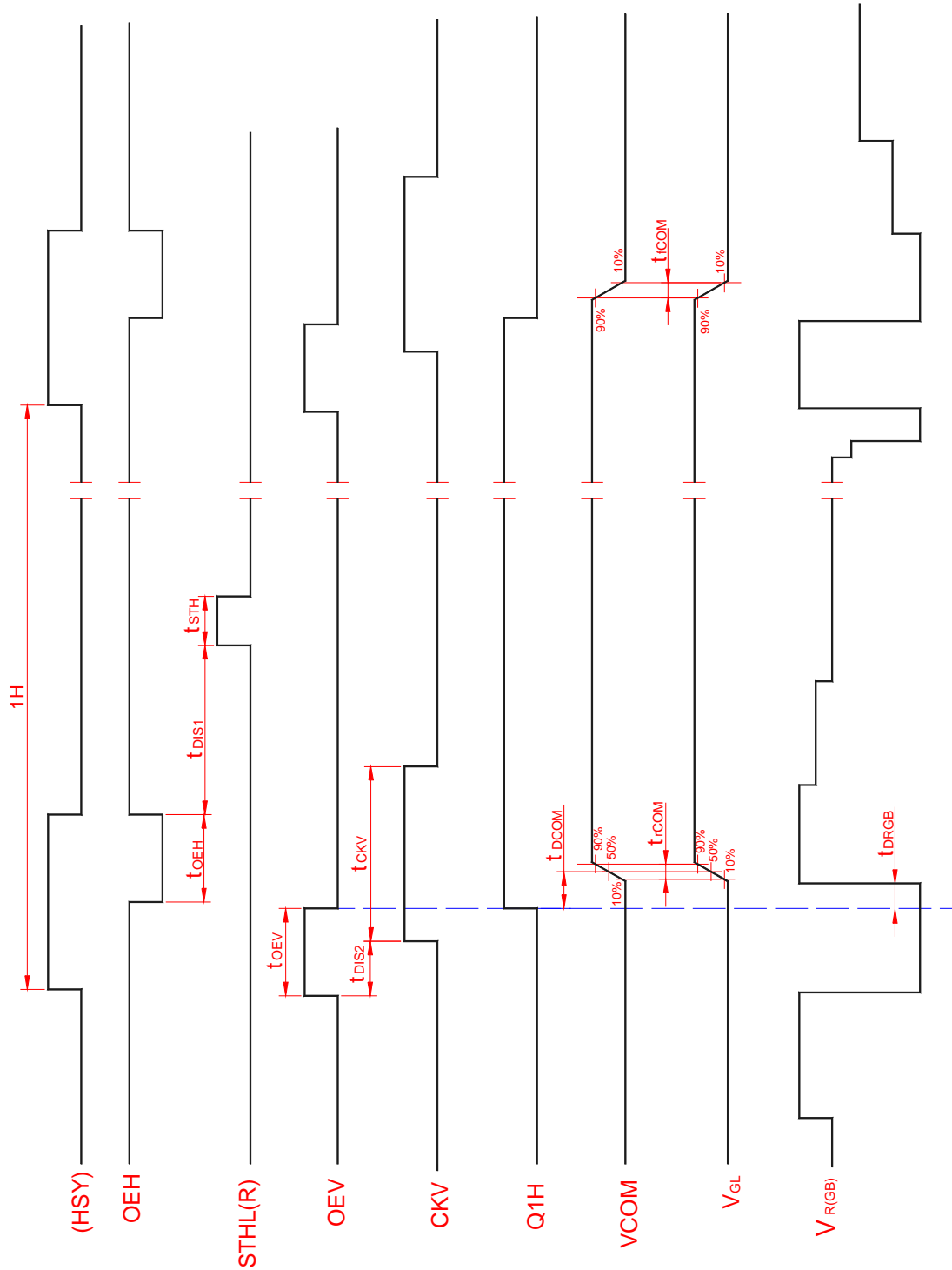


Fig.4-(b) Detail horizontal timing

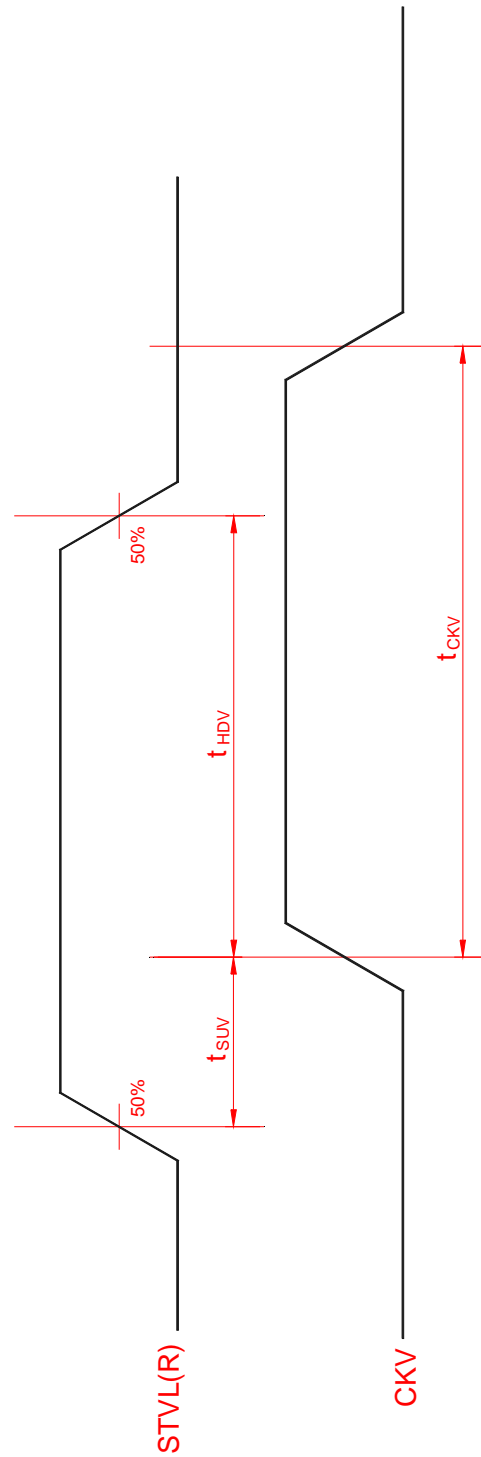


Fig.5 Vertical shift clock timing

IED, OR

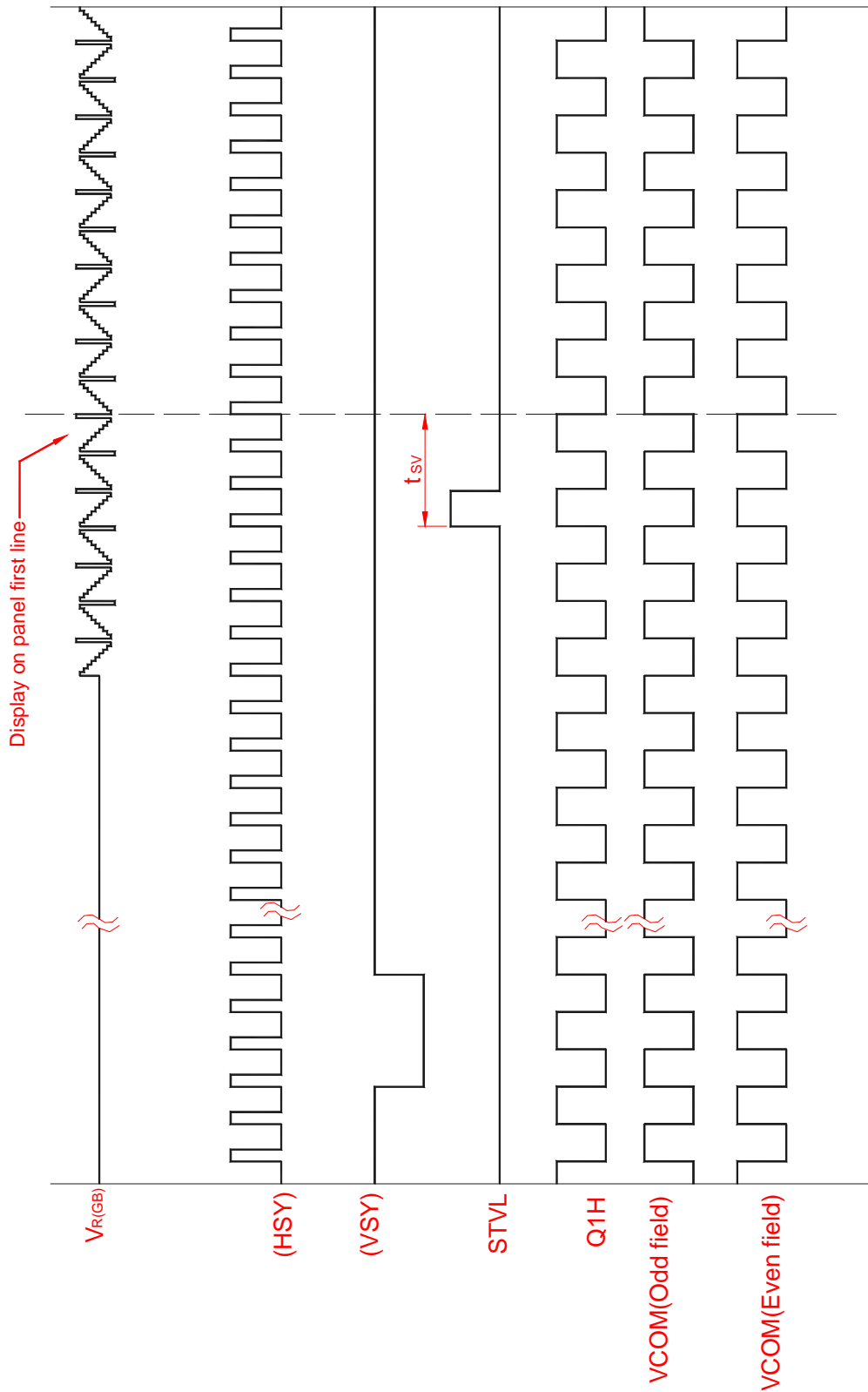


Fig.6-(a) Vertical timing (From up to down)

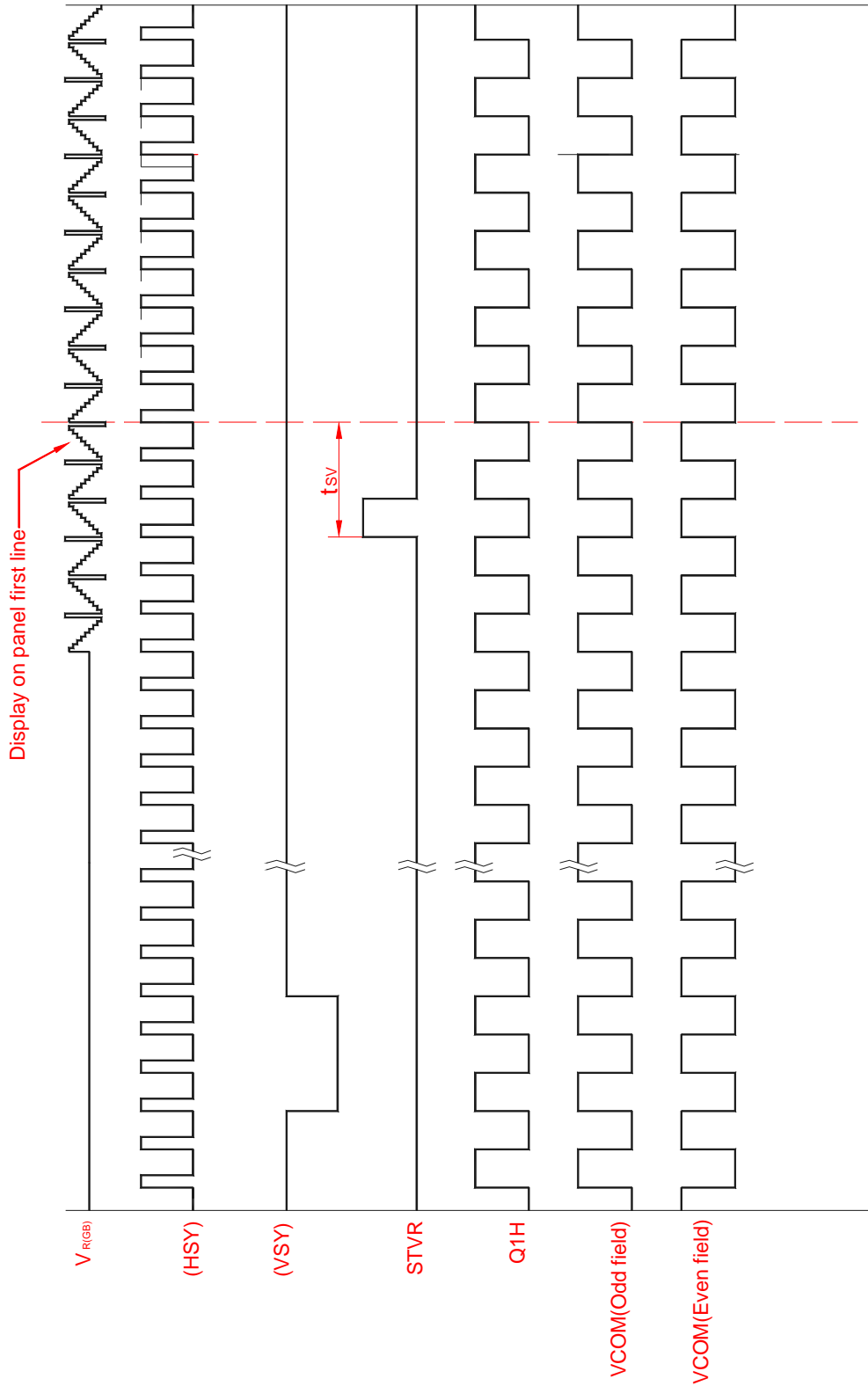


Fig.6-(b) Vertical timing (From down to up)