

# DATA SHEET

## **TDA9809M**

Single standard multimedia IF-PLL  
and FM radio demodulator

Preliminary specification  
File under Integrated Circuits, IC02

1998 Jan 08

## Single standard multimedia IF-PLL and FM radio demodulator

## TDA9809M

### FEATURES

- 5 V supply voltage
- Applicable at Intermediate Frequencies (IFs) of 38.9 and 45.75 MHz
- Gain controlled wideband Video IF (VIF) amplifier (AC-coupled)
- True synchronous demodulation with active carrier regeneration (very linear demodulation, good intermodulation figures, reduced harmonics, excellent pulse response)
- Robustness for over-modulation better than 105% due to PLL bandwidth control for negative modulation standards
- VIF AGC (Automatic Gain Control) detector for gain control, operating as peak sync detector for negative modulation standards
- Tuner AGC with adjustable TakeOver Point (TOP)
- AFC (Automatic Frequency Control) detector without extra reference circuit
- AC-coupled limiting amplifier for sound intercarrier signal
- Alignment-free FM PLL (Phase-Locked Loop) demodulator with high linearity; integrated de-emphasis resistor
- Integrated level detector
- Alignment-free FM radio AFC detector with external resonator
- RIF (Radio IF) amplifier for 10.7 MHz
- Stabilizer circuit for ripple rejection and to achieve constant output signals
- ESD (Electrostatic Discharge) protection for all pins.

### GENERAL DESCRIPTION

The TDA9809M is an integrated circuit for single standard vision IF signal processing, FM demodulation and FM radio demodulation in multimedia sets.

### ORDERING INFORMATION

TYPE NUMBER	PACKAGE		
	NAME	DESCRIPTION	VERSION
TDA9809M	SSOP20	plastic shrink small outline package; 20 leads; body width 5.3 mm	SOT339-1

# Single standard multimedia IF-PLL and FM radio demodulator

TDA9809M

## QUICK REFERENCE DATA

SYMBOL	PARAMETER	CONDITIONS	MIN.	TYP.	MAX.	UNIT
<b>Supply (pin 19)</b>						
$V_P$	supply voltage		4.5	5	5.5	V
$I_P$	supply current	TV mode	76	89	102	mA
		radio mode	29	35	41	mA
		power-down mode	5	8	11	mA
<b>Television mode</b>						
$V_{i(VIF)(rms)}$	minimum vision IF input signal voltage (RMS value)	-1 dB video at output	-	60	100	$\mu$ V
$V_{o(video)(p-p)}$	video output signal voltage (peak-to-peak value)		0.97	1.1	1.23	V
$B_{-3dB}$	-3 dB video bandwidth on pin 13	$C_L < 30$ pF; $R_L > 1.5$ k $\Omega$ ; AC load	7	8	-	MHz
$S/N_{W(video)}$	weighted signal-to-noise ratio for video		54	58	-	dB
$\alpha_{IM(0.92/1.1)}$	intermodulation attenuation at 'blue'	$f = 0.92$ or $1.1$ MHz	52	58	-	dB
$\alpha_{IM(2.76/3.3)}$	intermodulation attenuation at 'blue'	$f = 2.76$ or $3.3$ MHz	52	58	-	dB
$\alpha_{H(sup)}$	suppression of harmonics in video signal		35	40	-	dB
$V_{i(SIF)(rms)}$	minimum sound IF input signal voltage (RMS value)	-3 dB at intercarrier output	-	30	70	$\mu$ V
$V_{o(audio)(rms)}$	audio output signal voltage for FM (RMS value)		0.4	0.5	0.6	V
$THD_{video}$	total harmonic distortion for video		-	0.5	1.0	%
$S/N_{W(audio)}$	weighted signal-to-noise ratio for audio		50	55	-	dB
<b>Radio mode</b>						
$V_{i(RIF)(rms)}$	minimum radio IF input signal voltage (RMS value)	$d_3 < 60$ dB intermodulation; note 1	-	-	20	mV
$V_{i(FM)(rms)}$	minimum FM limiter input signal voltage (RMS value)	$\frac{S+N}{N}$ unweighted = 26 dB	-	100	-	$\mu$ V
$\Delta V_{LD}/\log \Delta V_i$	output voltage slope according to FM limiter input voltage		-	50	-	mV/dB $\mu$ V
$V_{o(audio)(rms)}$	audio output signal voltage for radio (peak-to-peak value)	22.5 kHz modulation	200	250	300	mV
$THD_{audio}$	total harmonic distortion for audio	22.5 kHz modulation	-	0.5	1.0	%
$S/N_{W(audio)}$	weighted signal-to-noise ratio for audio	22.5 kHz modulation; 15 kHz bandwidth	59	64	-	dB

### Note

- $d_3$  is the ratio of the intermodulation product at 10.3 MHz to the level of  $V_{i(4)(max)(rms)}$ .

# Single standard multimedia IF-PLL and FM radio demodulator

TDA9809M

## BLOCK DIAGRAM

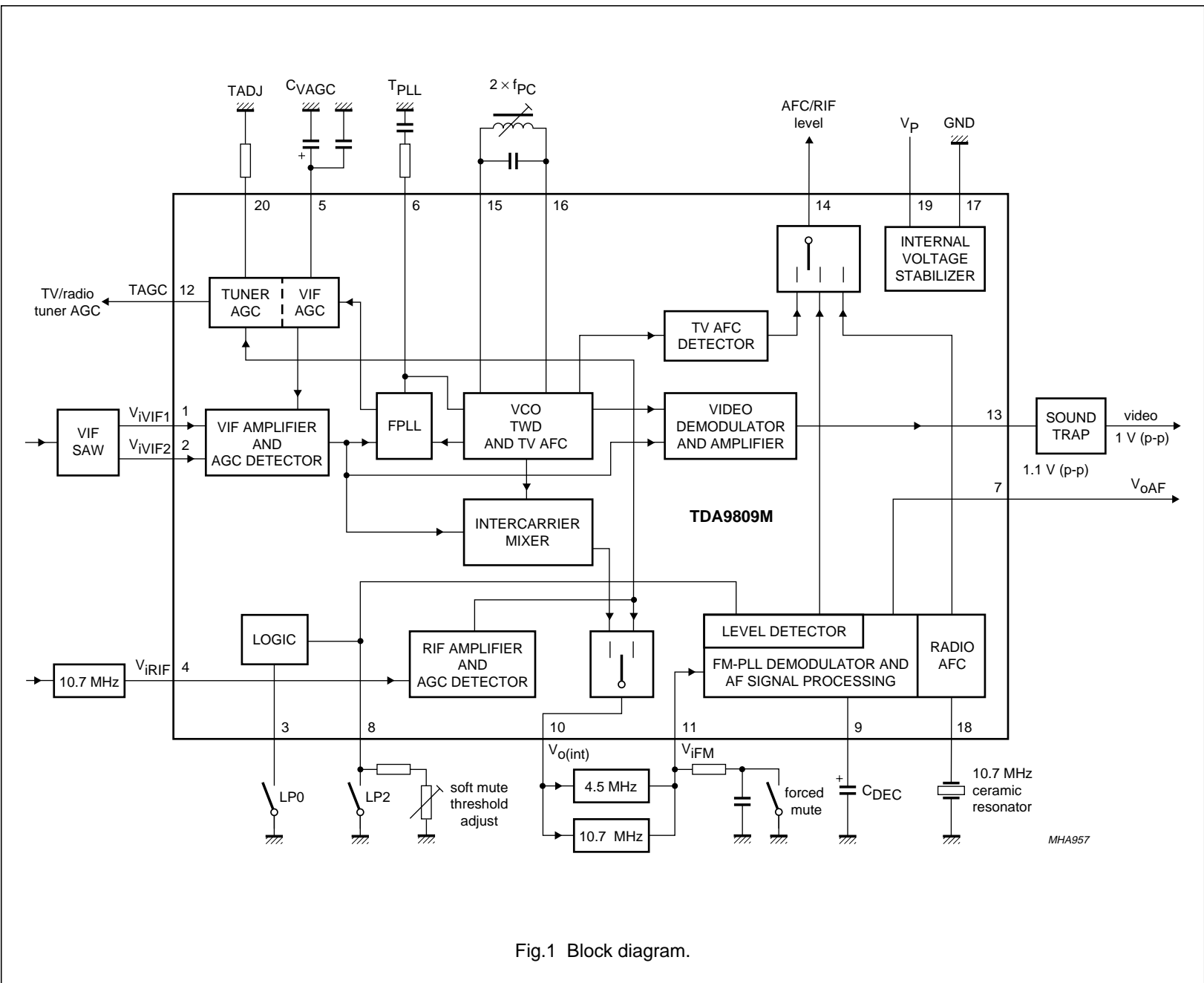


Fig.1 Block diagram.

# Single standard multimedia IF-PLL and FM radio demodulator

TDA9809M

## PINNING

SYMBOL	PIN	DESCRIPTION
V <sub>iVIF1</sub>	1	VIF differential input signal voltage 1
V <sub>iVIF2</sub>	2	VIF differential input signal voltage 2
LP0	3	logic port 0
V <sub>iRIF</sub>	4	RIF input
C <sub>VAGC</sub>	5	VIF AGC capacitor
T <sub>PLL</sub>	6	PLL loop filter
V <sub>oAF</sub>	7	audio output
LP2	8	logic port 2 and soft mute threshold adjustment
C <sub>DEC</sub>	9	decoupling capacitor
V <sub>o(int)</sub>	10	intercarrier output voltage
V <sub>iFM</sub>	11	sound intercarrier input voltage
TAGC	12	TV/radio tuner AGC output
V <sub>o(vid)</sub>	13	composite video output voltage
AFC	14	AFC/RIF level output
VCO1	15	VCO1 resonance circuit
VCO2	16	VCO2 resonance circuit
GND	17	ground
CERRES	18	ceramic resonator 10.7 MHz
V <sub>P</sub>	19	supply voltage
TADJ	20	tuner AGC takeover point adjustment

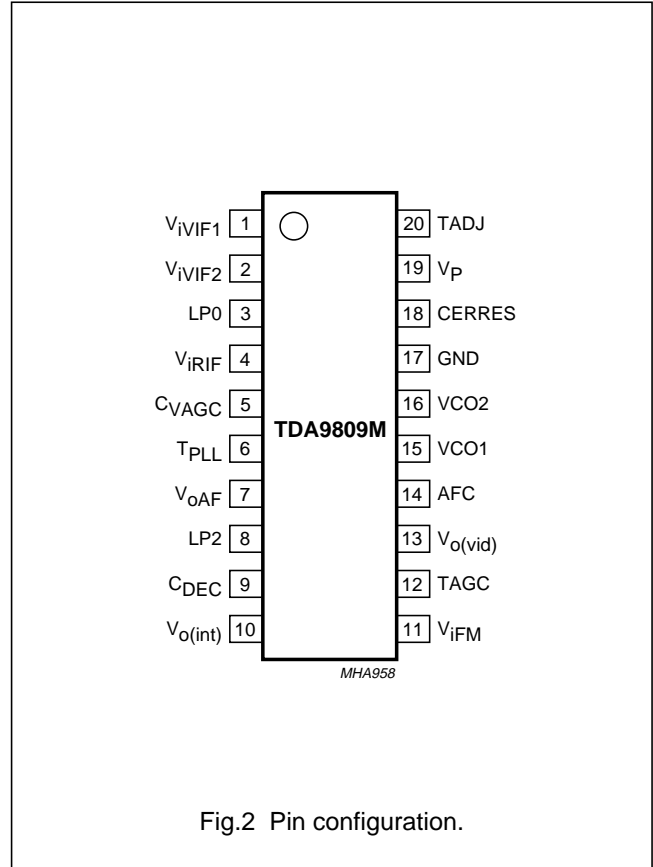


Fig.2 Pin configuration.

## FUNCTIONAL DESCRIPTION

The TDA9809M is comprised of the functional blocks shown in Fig.1:

- Vision IF amplifier and AGC detector
- Tuner (TV/radio) and VIF AGC
- Frequency Phase-Locked Loop (FPLL) detector
- VCO, Travelling Wave Divider (TWD) and TV AFC
- Video demodulator and amplifier
- Intercarrier mixer
- RIF amplifier and AGC detector
- FM-PLL demodulator, level detector and radio AFC
- Audio Frequency (AF) signal processing
- Internal voltage stabilizer
- Logic.

## Vision IF amplifier and AGC detector

The vision IF amplifier contains three AC-coupled differential amplifier stages. Each differential stage includes a feedback network controlled by emitter degeneration.

The AGC detector generates the required VIF gain control voltage for constant video output by charging/discharging the AGC capacitor. The sync level of the video signal is therefore detected for negative video modulation.

## Tuner (TV/radio) and VIF AGC

For TV operation, the AGC capacitor voltage is converted to an internal IF control signal and then fed to the tuner AGC to generate the tuner AGC output current at pin TAGC (open-collector output). The tuner AGC takeover point can be adjusted at pin TADJ. This allows the tuner to be matched to the SAW filter in order to achieve the optimum IF input level.

For FM radio operation, an AGC detector is provided to obtain some adjacent channel protection.

## Single standard multimedia IF-PLL and FM radio demodulator

TDA9809M

### Frequency Phased-Locked Loop detector (FPLL)

The VIF amplifier output signal is fed, via a limiting amplifier, to a frequency and phase detector. During acquisition, the frequency detector generates a DC current that is proportional to the difference in frequency between the input signal and the VCO signal.

After frequency lock-in, the phase detector generates a DC current proportional to the phase difference between the input signal and the VCO signal. The DC current generated by the frequency or phase detector is converted to a DC voltage via the loop filter, which controls the VCO frequency.

### VCO, TWD and TV AFC

The VCO operates with a resonance circuit (with L and C in parallel) at double the Picture Carrier (PC) frequency. The VCO is controlled by two integrated variable capacitors. The control voltage required to tune the VCO from its free-running frequency to double the PC frequency is generated by the FPLL and fed via the loop filter to the first variable capacitor. This control voltage is amplified and converted into a current which represents the AFC output signal. At the centre frequency, the AFC output current is zero.

The TWD divides the oscillator signal by 2 and generates two differential output signals with a 90° phase difference independent of frequency.

### Video demodulator and amplifier

Video demodulation is realized by a multiplier designed for low distortion and wide bandwidth. The vision IF input signal and the 'in-phase' signal of the travelling wave divider output are multiplied together.

The demodulated output signal is fed to the video amplifier via an integrated low-pass filter used to attenuate the carrier harmonics. This is an operational amplifier with internal feedback and wide bandwidth. A low-pass filter is integrated to attenuate the carrier harmonics. The video output signal at  $V_{o(vid)}$  is 1.1 V (p-p) for nominal vision IF modulation, in order to achieve 1 V (p-p) at the sound trap output.

### Intercarrier mixer

The intercarrier mixer is realized by a multiplier.

The sound IF signal passes through the vision IF SAW filter and the composite IF signal is then fed to the intercarrier mixer. Here, the IF signal is multiplied by the 90° TWD output signal to convert the sound IF to the intercarrier frequency. By using this quadrature detection, the low frequency video signals are removed. The mixer output signal is fed, via a high-pass filter used to attenuate the video signal components, at output pin 10.

### RIF amplifier and AGC detector

The radio IF amplifier amplifies the 10.7 MHz radio IF signal. This signal is supplied by the tuner and is fed to the RIF input (pin 4) via a matching circuit and a ceramic band-pass filter. This amplifier contains two stages. The first stage, a conventional 0 dB differential amplifier designed for optimal dynamic range, is followed by a switchable differential amplifier stage with a gain of 10 dB. Either the radio IF or the TV IF signal can be selected at the output (pin 10).

The RIF output signal is fed via ceramic band-pass filters to the FM-PLL demodulator and the radio IF AGC detector. The AGC threshold is very high and is designed to obtain some adjacent channel protection. The AGC detector output is fed to the tuner AGC output stage (pin 12) to control the tuner.

### FM-PLL demodulator, level detector and radio AFC

The FM-PLL demodulator consists of a limiter and an FM phase-locked loop. The 8-stage internally AC-coupled limiter amplifies and limits the TV FM sound intercarrier or the radio FM intermediate frequency signal prior to demodulation. The limiter is designed for high sensitivity and AM suppression with low DC offset and needs no external pins for DC coupling.

Furthermore, the AF output signal can be force muted by connecting a resistor between pin 11 and ground. The soft mute function can be disabled by connecting a resistor between pin 11 and the power supply. See the application circuit in Fig.16.

## Single standard multimedia IF-PLL and FM radio demodulator

TDA9809M

The FM-PLL consists of an integrated relaxation oscillator, an integrated loop filter and a phase detector.

The oscillator is locked to the FM intercarrier signal output from the limiter. As a result of locking, the oscillator frequency tracks with the modulation of the input signal and the oscillator control voltage is superimposed on the AF voltage. The FM-PLL operates as an FM demodulator.

The level detector detects, rectifies and amplifies the output signals from the first 5 limiter stages. These signals are then summed and the composite signal passed through a low-pass filter, followed by a 6 dB output amplifier. A DC voltage dependent on the limiter input level is generated for controlling the behaviour of the AF soft mute. The 6 dB output amplifier can be switched off via the control logic and the level detector output signal fed to pin 14. Furthermore, the steepness of the level detector output signal tracks that of the power supply voltage.

The radio Automatic Frequency Control (AFC) stage is comprised of a 10.7 MHz phase shifting network, a phase detector (quadrature demodulator), a differential amplifier input stage (which receives the limiting amplifier output signal) and a current mode output stage.

A ceramic resonator is used for phase shifting. This permits alignment-free operation.

### AF signal processing

The AF signal processing stage consists of a pre-amplifier for the FM-PLL demodulator output signal, an AF source selector, a soft and forced mute stage with an integrated time constant and an AF post-amplifier.

The FM demodulator output signal is pre-amplified by an operational amplifier (30 dB gain) with internal feedback, high gain and high common mode rejection. The feedback circuit, together with external capacitor  $C_{DEC}$  connected to pin 9, keeps the DC level at the pre-amplifier output constant (2.3 V). An external resistor connected in series with  $C_{DEC}$  provides a gain reduction capability.

The low-pass filter characteristic (130 kHz bandwidth) of the amplifier reduces the harmonics of the IF signal at the sound signal output.

Soft mute occurs when the internal level detector output voltage is lower than the mute threshold voltage at pin 8 (provided an external resistor is not connected between the limiter input, pin 11, and the supply voltage). The mute stage reduces the AF signal by 25 dB, with an internal time constant of approximately 7 ms.

If a resistor is connected between pin 11 and ground (forced mute), the mute stage will reduce the AF signal by more than 70 dB with the same time constant.

Otherwise, the AF signal will not be reduced.

The AF post-amplifier, which was designed to include a rail-to-rail output stage, provides the required AF output level at pin 7.

### Internal voltage stabilizer

The bandgap circuit generates a voltage of approximately 1.25 V internally, independent of supply voltage and temperature. A voltage regulator circuit connected to this voltage generates a constant 3.6 V which is used as an internal reference voltage.

### Logic

The logic circuit detects the logic levels and threshold voltages at ports LP0 and LP2 and controls the internal functions as described in Table 2.

# Single standard multimedia IF-PLL and FM radio demodulator

TDA9809M

## LIMITING VALUES

In accordance with the Absolute Maximum Rating System (IEC 134).

SYMBOL	PARAMETER	CONDITIONS	MIN.	MAX.	UNIT
$V_P$	supply voltage (pin 19)	maximum chip temperature of 130 °C; note 1	–	5.5	V
$V_n$	input voltage at pins 1 to 9, 11, 12, 14 and 17 to 20		0	$V_P$	V
$t_{sc}$	short-circuit time		–	10	s
$V_{TAGC}$	tuner AGC output voltage		0	13.2	V
$T_{stg}$	storage temperature		–25	+150	°C
$T_{amb}$	ambient operating temperature		–20	+70	°C
$V_{es}$	electrostatic handling	note 2	–300	+300	V

## Notes

- $I_P = 102$  mA;  $T_{amb} = 70$  °C;  $R_{th(j-a)} = 120$  K/W.
- Machine model class B ( $L = 2.5$   $\mu$ H).

## THERMAL CHARACTERISTICS

SYMBOL	PARAMETER	CONDITIONS	VALUE	UNIT
$R_{th(j-a)}$	thermal resistance from junction to ambient	in free air	120	K/W

## CHARACTERISTICS

$V_P = 5$  V;  $T_{amb} = 25$  °C; see Table 1 for input frequencies; input level  $V_{i(VIF)(rms)} = 10$  mV (sync-level for B/G);  $V_{i(FM)(rms)} = 10$  mV; IF input from 50  $\Omega$  via broadband transformer 1 : 1; video modulation DSB; residual carrier B/G: 10%; video signal in accordance with "CCIR, line 17" or "NTC-7 Composite"; test circuit in Fig.15 used for measurements; unless otherwise specified.

SYMBOL	PARAMETER	CONDITIONS	MIN.	TYP.	MAX.	UNIT
<b>Supply (pin 19)</b>						
$V_P$	supply voltage	note 1	4.5	5	5.5	V
$I_P$	supply current	TV mode	76	89	102	mA
		radio mode	29	35	41	mA
		power-down mode	5	8	11	mA
<b>Television mode</b>						
VISION IF AMPLIFIER (PINS 1 AND 2)						
$V_{i(VIF)(rms)}$	minimum vision IF input signal voltage (RMS value)	$f_{PC} = 38.9$ or $45.75$ MHz; –1 dB video at output	–	60	100	$\mu$ V
	maximum vision IF input signal voltage (RMS value)	$f_{PC} = 38.9$ or $45.75$ MHz; +1 dB video at output	120	200	–	mV



# Single standard multimedia IF-PLL and FM radio demodulator

TDA9809M

SYMBOL	PARAMETER	CONDITIONS	MIN.	TYP.	MAX.	UNIT
$\Delta V_{o(int)}$	internal IF amplitude difference between picture and sound carrier	within AGC range; $\Delta f = 4.5$ MHz	–	0.7	1	dB
$G_{VIF(CR)}$	VIF gain control range	see Fig.3	65	70	–	dB
$B_{VIF(-3dB)}$	–3 dB VIF bandwidth	lower limit	–	15	25	MHz
		upper limit	70	100	–	MHz
$R_{i(dif)}$	differential input resistance	note 2	1.7	2.2	2.7	k $\Omega$
$C_{i(dif)}$	differential input capacitance	note 2	1.2	1.7	2.5	pF
$V_I$	DC input voltage	note 2	–	3.4	–	V
TRUE SYNCHRONOUS VIDEO DEMODULATOR; note 3						
$f_{VCO(max)}$	maximum oscillator frequency for carrier regeneration	$f = 2f_{PC}$	125	130	–	MHz
$\Delta f_{osc}/\Delta T$	oscillator drift as a function of temperature	oscillator is free-running; $I_{AFC} = 0$ ; note 4	–	–	$\pm 20 \times 10^{-6}$	K $^{-1}$
$V_{VCO(rms)}$	oscillator voltage swing at pins 15 and 16 (RMS value)	$f_{PC} = 38.9$ MHz	50	80	110	mV
		$f_{PC} = 45.75$ MHz	40	65	90	mV
$f_{cr(PC)}$	picture carrier capture range		$\pm 1.4$	$\pm 1.8$	–	MHz
$t_{acq}$	acquisition time	Black Level (BL) = 70 kHz note 5	–	–	30	ms
$V_{i(VIF)(rms)}$	minimum vision IF input signal voltage for PLL to be locked (RMS value)	maximum IF gain; note 6	–	30	70	$\mu$ V
COMPOSITE VIDEO AMPLIFIER (PIN 13; SOUND CARRIER OFF)						
$V_{o(video)(p-p)}$	output signal voltage (peak-to-peak value)	see Fig.7	0.97	1.1	1.23	V
V/S	ratio of video (black-to-white) to sync level		1.9	2.33	3.0	–
$V_{sync}$	sync voltage level		1.4	1.5	1.6	V
$V_{clu}$	upper video clipping voltage level		$V_P - 1.1$	$V_P - 1$	–	V
$V_{cll}$	lower video clipping voltage level		–	0.7	0.9	V
$R_o$	output resistance	note 2	–	–	10	$\Omega$

# Single standard multimedia IF-PLL and FM radio demodulator

TDA9809M

SYMBOL	PARAMETER	CONDITIONS	MIN.	TYP.	MAX.	UNIT
$I_{bias(int)}$	internal DC bias current for emitter-follower		2.2	3.0	–	mA
$I_{o(sink)(max)}$	maximum AC and DC output sink current		1.6	–	–	mA
$I_{o(source)(max)}$	maximum AC and DC output source current		2.9	–	–	mA
$\Delta V_{o(CVBS)}$	deviation of CVBS output signal voltage	50 dB gain control	–	–	0.5	dB
		30 dB gain control	–	–	0.1	dB
$\Delta V_{o(bl)(BG)}$	black level tilt in B/G standard	gain variation; note 7	–	–	1	%
$G_{dif}$	differential gain	"CCIR, line 330" or "NTC-7 Composite"	–	2	5	%
$\phi_{dif}$	differential phase	"CCIR, line 330" or "NTC-7 Composite"	–	2	4	deg
$B_{V(-1dB)}$	–1 dB video bandwidth	$C_L < 50$ pF; $R_L > 1$ k $\Omega$ ; AC load	5	6	–	MHz
$B_{V(-3dB)}$	–3 dB video bandwidth	$C_L < 50$ pF; $R_L > 1$ k $\Omega$ ; AC load	7	8	–	MHz
$S/N_W$	weighted signal-to-noise ratio	see Fig.4 and note 8	54	58	–	dB
$S/N$	unweighted signal-to-noise ratio	see Fig.4 and note 8	47	51	–	dB
$\alpha_{IM(0.92/1.1)}$	intermodulation attenuation at 'blue'	$f_{IM} = 0.92$ or $1.1$ MHz; see Fig.5 and note 9	52	58	–	dB
	intermodulation attenuation at 'yellow'	$f_{IM} = 0.92$ or $1.1$ MHz; see Fig.5 and note 9	54	60	–	dB
$\alpha_{IM(2.76/3.3)}$	intermodulation attenuation at 'blue'	$f_{IM} = 2.76$ or $3.3$ MHz; see Fig.5 and note 9	52	58	–	dB
	intermodulation attenuation at 'yellow'	$f_{IM} = 2.76$ or $3.3$ MHz; see Fig.5 and note 9	54	60	–	dB
$\alpha_{r(vc)(rms)}$	residual vision carrier (RMS value)	fundamental wave and harmonics	–	2	5	mV
$\alpha_{H(sup)}$	harmonics suppression in video signal	note 10a	35	40	–	dB
$\alpha_{H(spur)}$	spurious element suppression	note 10b	40	–	–	dB
PSRR	power supply ripple rejection at pin 13	video signal; grey level; see Fig.9	30	35	–	dB

# Single standard multimedia IF-PLL and FM radio demodulator

TDA9809M

SYMBOL	PARAMETER	CONDITIONS	MIN.	TYP.	MAX.	UNIT
VIF-AGC DETECTOR (PIN 5)						
$I_{ch}$	charge current	note 7	0.75	1	1.25	mA
$I_{dch}$	discharge current		15	20	25	$\mu$ A
$t_{res(AGC)(r)}$	AGC response time to a rising VIF step	note 11	–	0.05	0.1	ms/dB
$t_{res(AGC)(f)}$	AGC response time to a falling VIF step		–	2.2	3.5	ms/dB
TV TUNER AGC (PIN 12)						
$V_{i(rms)}$	IF input signal voltage for minimum onset of tuner takeover (RMS value)	input at pins 1 and 2; $R_{TOP} = 22 \text{ k}\Omega$ ; $I_{12} = 0.4 \text{ mA}$	–	2	5	mV
	IF input signal voltage for maximum onset of tuner takeover (RMS value)	input at pins 1 and 2; $R_{TOP} = 0 \Omega$ ; $I_{12} = 0.4 \text{ mA}$	50	100	–	mV
	tuner takeover point accuracy (RMS value)	$R_{TOP} = 13 \text{ k}\Omega$ ; $I_{12} = 0.4 \text{ mA}$	5	–	20	mV
$V_{o(max)}$	maximum output voltage	from external source; note 2	–	–	13.2	V
$V_{sat}$	saturation voltage	$I_{12} = 1.5 \text{ mA}$	–	–	0.2	V
$\Delta V_{TOP}/\Delta T$	variation of takeover point with temperature	$I_{12} = 0.4 \text{ mA}$	–	0.03	0.07	dB/K
$I_{sink}$	sink current	see Fig.3 no tuner gain reduction; $V_{12} = 13.2 \text{ V}$	–	–	1	$\mu$ A
		maximum tuner gain reduction	1.5	2	2.6	mA
$\Delta G_{IF}$	IF slip by automatic gain control	tuner gain current from 20 to 80%	–	6	8	dB
TV AFC DETECTOR (PIN 14); see Fig.6 and note 12						
$CR_{stps}$	control steepness $\Delta I_{14}/\Delta f$	$f_{PC} = 38.9 \text{ MHz}$ ; note 13	0.5	0.75	1.0	$\mu$ A/kHz
		$f_{PC} = 45.75 \text{ MHz}$ ; note 13	0.4	0.65	0.9	$\mu$ A/kHz
$\Delta f_{IF}/\Delta T$	frequency variation with temperature	$I_{AFC} = 0$ ; note 4	–	–	$\pm 20 \times 10^{-6}$	$K^{-1}$
$V_{o(max)}$	output voltage upper limit	see Fig.6 without external components	$V_P - 0.6$	$V_P - 0.3$	–	V
$V_{o(min)}$	output voltage lower limit		–	0.3	0.6	V
$I_{o(source)}$	output source current		150	200	250	$\mu$ A
$I_{o(sink)}$	output sink current		150	200	250	$\mu$ A
$\Delta I_{r(mod)(p-p)}$	residual video modulation current (peak-to-peak value)		–	20	30	$\mu$ A

# Single standard multimedia IF-PLL and FM radio demodulator

TDA9809M

SYMBOL	PARAMETER	CONDITIONS	MIN.	TYP.	MAX.	UNIT
INTERCARRIER MIXER (PIN 10)						
$V_{o(\text{intercarrier})}(\text{rms})$	IF intercarrier level (RMS value)	sound carrier 1 (SC <sub>1</sub> ); SC <sub>2</sub> off; note 14	–	32	–	mV
$B_{-3\text{dB}}$	–3 dB intercarrier bandwidth	upper limit	7.5	9	–	MHz
$\alpha_{r(\text{SC})}(\text{rms})$	residual sound carrier (RMS value)	fundamental wave and harmonics	–	2	5	mV
$\alpha_{r(\text{VC})}(\text{rms})$	residual vision carrier (RMS value)	fundamental wave and harmonics	–	2	5	mV
$\alpha_{H(\text{sup})}$	suppression of video signal harmonics	intercarrier mode; $f_{\text{video}} \leq 5$ MHz	39	–	–	dB
$R_o$	output resistance	note 2	–	25	–	$\Omega$
$V_o$	DC output voltage		–	2.0	–	V
$I_{\text{bias}(\text{int})}$	DC internal bias current for emitter-follower		2.7	3.4	–	mA
$I_{o(\text{sink})}(\text{max})$	maximum AC and DC output sink current		1.5	2.0	–	mA
$I_{o(\text{source})}(\text{max})$	maximum AC and DC output source current		2.5	–	–	mA
LIMITER AMPLIFIER (PIN 11); note 15						
$V_{i(\text{FM})}(\text{rms})$	input signal voltage for lock-in (RMS value)		–	–	100	$\mu\text{V}$
	input signal voltage (RMS value)	$\frac{S+N}{N}$ weighted = 40 dB	–	250	500	$\mu\text{V}$
	allowed input signal voltage (RMS value)		200	–	–	mV
$\alpha_{\text{AM}}$	AM suppression	50 $\mu\text{s}$ de-emphasis; AM: $f_{\text{mod}} = 1$ kHz; $m = 0.3$ referenced to 27 kHz (54% FM deviation)	46	50	–	dB
$R_i$	input resistance	note 2	480	600	720	$\Omega$
$V_i$	DC input voltage		–	2.65	–	V
FM-PLL DEMODULATOR						
$f_{\text{cr}(\text{PLL})}$	catching range of PLL	upper limit	7.0	–	–	MHz
		lower limit	–	–	4.0	MHz
$f_{\text{hr}(\text{PLL})}$	holding range of PLL	upper limit	9.0	–	–	MHz
		lower limit	–	–	3.5	MHz
$t_{\text{acq}}$	acquisition time		–	–	4	$\mu\text{s}$

# Single standard multimedia IF-PLL and FM radio demodulator

TDA9809M

SYMBOL	PARAMETER	CONDITIONS	MIN.	TYP.	MAX.	UNIT
FM OPERATION (PIN 7); notes 15 and 15a						
$V_{o(AF)(rms)}$	AF output signal voltage (RMS value)	$R_x = 0 \Omega$ ; see Fig.15 and note 16 27 kHz (54% FM deviation)	400	500	600	mV
		25 kHz (50% FM deviation)	360	460	560	mV
$V_{o(AF)(cl)(rms)}$	AF output clipping signal voltage level (RMS value)	THD < 1.5%	1.0	–	1.2	V
$\Delta f_{AF}$	frequency deviation	THD < 1.5%; note 16	–	–	$\pm 53$	kHz
$\Delta V_o/\Delta T$	temperature drift of AF output signal voltage		–	$3 \times 10^{-3}$	$7 \times 10^{-3}$	dB/K
$V_g$	DC voltage at decoupling capacitor	voltage dependent on VCO frequency; note 17	1.2	–	3.0	V
$R_o$	output resistance	note 2	–	–	150	$\Omega$
$V_o$	DC output voltage		–	2.3	–	V
$I_{o(sink)(max)}$	maximum AC and DC output sink current		–	–	0.5	mA
$I_{o(source)(max)}$	maximum AC and DC output source current		–	–	0.5	mA
$B_{aud(-3dB)}$	–3 dB audio frequency bandwidth		100	125	–	kHz
THD	total harmonic distortion	27 kHz (54% FM deviation)	–	0.5	1.0	%
$S/N_w$	weighted signal-to-noise ratio	FM-PLL only; with 50 $\mu$ s de-emphasis; 27 kHz (54% FM deviation); "CCIR 468-4"; see Fig.8	50	55	–	dB
$\alpha_{r(SC)(rms)}$	residual sound carrier (RMS value)	fundamental wave and harmonics	–	–	75	mV
$\alpha_{mute(AF)}$	mute attenuation of AF signal		70	75	–	dB
$\Delta V_7$	DC jump voltage of AF output terminal for switching AF output to mute state and vice versa	FM-PLL in lock mode	–	$\pm 50$	$\pm 150$	mV
PSRR	power supply ripple rejection at pin 7	$R_x = 0 \Omega$ ; $f_{mod} = 70$ Hz; see Figs 9 and 15	20	26	–	dB

# Single standard multimedia IF-PLL and FM radio demodulator

TDA9809M

SYMBOL	PARAMETER	CONDITIONS	MIN.	TYP.	MAX.	UNIT
INTERCARRIER AF PERFORMANCE FOR FM OPERATION; notes 18, 19 and 20; see Table 1						
$S/N_{W(SC1)}$	weighted signal-to-noise ratio for $SC_1$	PC/ $SC_1$ ratio at pins 1 and 2; 27 kHz (54% FM deviation); "CCIR 468-4"; 50 $\mu$ s (75 $\mu$ s at M standard)	27	–	–	dB
		black picture	41	47	–	dB
		white picture	41	47	–	dB
		6 kHz sine wave (black-to-white modulation)	35	40	–	dB
		sound carrier subharmonics; $f_{mod} = 2.75 \text{ MHz} \pm 3 \text{ kHz}$	30	35	–	dB
<b>Radio mode</b>						
RIF AMPLIFIER (PINS 4 AND 10)						
$V_{i(4)(max)(rms)}$	maximum input signal voltage (RMS value)	$d_3 < 60 \text{ dB}$ intermodulation; notes 21 and 22	10	20	–	mV
$V_{o(10)(cl)(rms)}$	RF amplifier output clipping signal voltage level (RMS value)	–1 dB gain compression point; note 21	400	–	900	mV
$G_{RIF}$	RIF gain		10	13	16	dB
$B_{RIF(-3dB)}$	–3 dB RIF bandwidth	lower limit	–	100	–	kHz
		upper limit	–	25	–	MHz
$R_{i(SE)}$	single-ended input resistance	note 2	240	330	420	$\Omega$
$C_{i(SE)}$	single-ended input capacitance	note 2	1.5	2	2.5	pF
$R_o$	output resistance	note 2	–	25	–	$\Omega$
$V_{I(4)}$	DC input voltage	note 2	–	2.7	–	V
RADIO TUNER AGC (PIN 12)						
$I_{sink}$	sink current	maximum tuner gain reduction	1.5	2	2.6	mA
$V_{o(max)}$	maximum output voltage	from external source; note 2	–	–	13.2	V
$V_{o(10)(rms)}$	AGC onset (RMS value)	RIF amplifier output; $I_{12} = 0.4 \text{ mA}$	–	180	–	mV

# Single standard multimedia IF-PLL and FM radio demodulator

TDA9809M

SYMBOL	PARAMETER	CONDITIONS	MIN.	TYP.	MAX.	UNIT
RADIO AFC DETECTOR (PIN 14); see Fig.11 and note 12a						
$CR_{stps}$	control steepness $\Delta I_{14}/\Delta f$	note 23	0.59	0.9	1.22	$\mu A/kHz$
$\Delta f_{IF}$	frequency variation by input level	note 2	–	–	$50 \times 10^{-6}$	$(dB\mu V)^{-1}$
$V_{O(max)}$	output voltage upper limit	see Fig.11 without external components	$V_P - 0.6$	$V_P - 0.3$	–	V
$V_{O(min)}$	output voltage lower limit		–	0.3	0.6	V
$I_{O(source)}$	output source current		150	200	250	$\mu A$
$I_{O(sink)}$	output sink current		150	200	250	$\mu A$
LIMITER AMPLIFIER (PIN 11); note 15						
$V_{i(FM)(rms)}$	input signal voltage (RMS value)	–3 dB AF signal at pin 7	–	50	–	$\mu V$
		$\Delta f = 22.5$ kHz; $\frac{S+N}{N}$ unweighted = 26 dB	–	100	–	$\mu V$
	allowed input signal voltage (RMS value)		200	–	–	mV
$\alpha_{AM}$	AM suppression	50 $\mu s$ de-emphasis; AM: $f_{mod} = 1$ kHz; $m = 0.3$ referenced to 22.5 kHz	40	45	–	dB
$R_i$	input resistance	note 2	240	330	420	$\Omega$
$V_I$	DC input voltage		–	2.65	–	V
LEVEL DETECTOR (PIN 14); note 12						
$\Delta V_{LD}/\log \Delta V_i$	output voltage slope according to FM limiter input voltage		–	50	–	mV/dB $\mu V$
$V_{O(LD)(min)}$	minimum DC output voltage	$V_{i(11)} = 56$ $\mu V$ (35 dB $\mu V$ )	0	–	1.0	V
$V_{O(LD)}$	DC output voltage	$V_{i(11)} = 32$ mV (90 dB $\mu V$ )	–	3.00	–	V
$V_{O(LD)(max)}$	maximum DC output voltage		–	–	$V_P - 1.0$	V
$\Delta V_O/\Delta V_P$	output voltage variation with $V_P$		0.5	0.7	0.9	V/V
$\Delta V_O/\Delta T$	output voltage variation with temperature		–	–	$\pm 100 \times 10^{-6}$	V/K
FM-PLL DEMODULATORS						
$f_{cr(PLL)}$	catching range of PLL	upper limit	11.5	–	–	MHz
		lower limit	–	–	9.0	MHz
$f_{hr(PLL)}$	holding range of PLL	upper limit	13.0	–	–	MHz
		lower limit	–	–	8.0	MHz
$t_{acq}$	acquisition time		–	–	4	$\mu s$

# Single standard multimedia IF-PLL and FM radio demodulator

TDA9809M

SYMBOL	PARAMETER	CONDITIONS	MIN.	TYP.	MAX.	UNIT
FM OPERATION (PIN 7); notes 15 and 15a						
$V_{O(AF)(rms)}$	AF output signal voltage (RMS value)	22.5 kHz; $R_x = 0 \Omega$ ; see Fig.15 and note 16	200	250	300	mV
$V_{O(AF)(cl)(rms)}$	AF output clipping signal voltage level (RMS value)	THD < 1.5%	1.0	–	1.2	V
$\Delta f_{AF}$	frequency deviation	THD < 1.5%; note 16	–	–	$\pm 75$	kHz
$\Delta V_O/\Delta T$	temperature drift of AF output signal voltage		–	$3 \times 10^{-3}$	$7 \times 10^{-3}$	dB/K
$V_9$	DC voltage at decoupling capacitor	voltage dependent on VCO frequency; note 17	1.2	–	3.0	V
$R_O$	output resistance	note 2	–	–	150	$\Omega$
$V_O$	DC output voltage		–	2.3	–	V
$I_{O(sink)(max)}$	maximum AC and DC output sink current		–	–	0.5	mA
$I_{O(source)(max)}$	maximum AC and DC output source current		–	–	0.5	mA
$B_{AF(-3dB)}$	–3 dB AF bandwidth	22.5 kHz	100	125	–	kHz
THD	total harmonic distortion	22.5 kHz	–	0.5	1.0	%
S/N	unweighted signal-to-noise ratio	FM-PLL only; with 50 $\mu$ s de-emphasis; 22.5 kHz; 15 kHz bandwidth	59	64	–	dB
$\Delta V_7$	DC jump voltage of AF output terminal for switching AF output to mute state and vice versa	FM-PLL in lock mode	–	$\pm 50$	$\pm 150$	mV
PSRR	power supply ripple rejection at pin 7	$R_x = 0 \Omega$ ; $f_{mod} = 70$ Hz; see Figs 9 and 15	20	26	–	dB
MUTE BEHAVIOUR; note 15						
$\alpha_{mute}$	forced mute attenuation	pin 11 at $V_P$	70	75	–	dB
	soft mute attenuation	RIF level dependent; see Fig.12	20	25	30	dB
$I_{11(forced)}$	forced mute switching current	$\alpha_7 > 70$ dB	–	350	–	$\mu$ A
$I_{11(soft)(dis)}$	current for disabling soft mute	$\alpha_7 > 0$ dB	–	–350	–	$\mu$ A
$V_{th(8)}$	soft mute threshold adjustment voltage	$V_{i(11)} = 56 \mu$ V	0.8	1.0	1.2	V
		$V_{i(11)} = 560 \mu$ V	1.2	1.4	1.6	V
$t_{mute}$	time constant	mute on or off	3	–	7	ms



# Single standard multimedia IF-PLL and FM radio demodulator

TDA9809M

SYMBOL	PARAMETER	CONDITIONS	MIN.	TYP.	MAX.	UNIT
<b>Switching levels for logic port 0; see also Table 2</b>						
$V_{\text{logic}}$	DC potential for logic 1 or pin not connected		2.8	–	$V_P$	V
	DC potential for logic 0		0	–	0.8	V
$I_{\text{IL}}$	LOW-level input current	$V_{3,8} = 0 \text{ V}$	50	70	90	$\mu\text{A}$
<b>Switching levels for logic port 2; see also Table 2 and Fig.12</b>						
$V_{\text{logic}}$	DC potential for logic 1 or pin not connected		0.8	–	$V_P$	V
	DC potential for logic 0		0	–	0.8	V
$I_{\text{IL}}$	LOW-level input current	$V_{11} = 0 \text{ V}$	110	150	190	$\mu\text{A}$

## Notes

- Video and sound parameters are degraded at  $V_P \leq 4.5 \text{ V}$ .
- This parameter is not tested during production and is provided as application information for use in designing the television receiver.
- Loop bandwidth  $BL = 70 \text{ kHz}$  (natural frequency  $f_n = 12 \text{ kHz}$ ; damping factor  $d \approx 3$ ; calculated for peak level). Resonance circuit of VCO:  $Q_0 > 50$ ;  $C_{\text{VCO}} = 8.2 \text{ pF} \pm 0.25 \text{ pF}$ ;  $C_{\text{int}} \approx 8.5 \text{ pF}$  (loop voltage  $\approx 2.7 \text{ V}$ ).
- Temperature coefficient of external LC circuit is equal to zero.
- $V_{i(\text{VIF})_{\text{(rms)}}} = 10 \text{ mV}$ ;  $\Delta f = 1 \text{ MHz}$  (VCO frequency offset related to picture carrier frequency); white picture video modulation.
- $V_{i(\text{VIF})}$  signal for nominal video signal.
- The leakage current of the AGC capacitor should not exceed  $1 \mu\text{A}$  to avoid larger tilt.
- S/N is the ratio of black-to-white amplitude to the black level noise voltage (RMS value, pin 13).  $B = 5 \text{ MHz}$  weighted in accordance with "CCIR 567".
- The intermodulation figures are defined:  

$$\alpha_{\text{IM}(0.92/1.1)} = 20 \log \left( \frac{V_0 \text{ at } 3.58 \text{ (4.4) MHz}}{V_0 \text{ at } 0.92 \text{ (1.1) MHz}} \right) + 3.6 \text{ dB}; \alpha_{\text{IM}(0.92/1.1)} \text{ value at } 0.92 \text{ or } 1.1 \text{ MHz referenced to black/white signal;}$$

$$\alpha_{\text{IM}(2.76/3.3)} = 20 \log \left( \frac{V_0 \text{ at } 3.58 \text{ (4.4) MHz}}{V_0 \text{ at } 2.76 \text{ (3.3) MHz}} \right); \alpha_{\text{IM}(2.76/3.3)} \text{ value at } 2.76 \text{ or } 3.3 \text{ MHz referenced to colour carrier.}$$
- Measurements taken with SAW filter G1962 (sound shelf: 20 dB); loop bandwidth = 70 kHz.
  - Modulation VSB; sound carrier **off**;  $f_{\text{video}} > 0.5 \text{ MHz}$ .
  - Sound carrier **on**; SIF SAW filter K9453;  $f_{\text{video}} = 10 \text{ kHz to } 10 \text{ MHz}$ .
- Response speed valid for a VIF input level range of  $200 \mu\text{V}$  up to  $70 \text{ mV}$ .
- A current source output is provided to match the AFC output signal to different tuning systems. The test circuit is given in Fig.6 for TV mode and in Fig.11 for radio mode. The AFC steepness can be changed by the resistors at pin 14.
  - A voltage output is provided to match the AFC output signal to different tuning systems. The DC load current should not exceed  $180 \mu\text{A}$ .
- Depending on the ratio  $\Delta C/C_0$  of the LC resonant circuit of the VCO ( $Q_0 > 50$ ; see note 3;  $C_0 = C_{\text{int}} + C_{\text{ext}}$ ).

## Single standard multimedia IF-PLL and FM radio demodulator

TDA9809M

14. The intercarrier output signal at pin 10 can be calculated with the following formula using the video output signal at pin 13 ( $V_{o(\text{video})(p-p)} = 1.1 \text{ V}$  typical) as a reference:

$$V_{o(\text{rms})} = 1.1 \text{ V (p-p)} \times \frac{1}{2\sqrt{2}} \times 10^{\frac{\frac{V_{i(\text{SC})}}{V_{i(\text{PC})}} (\text{dB}) + 6 \text{ dB} \pm 3 \text{ dB}}{20}}$$

with  $\frac{1}{2\sqrt{2}}$  = correction term for RMS value,

$\frac{V_{i(\text{SC})}}{V_{i(\text{PC})}} (\text{dB})$  = sound-to-picture carrier ratio at VIF input (pins 1 and 2) in dB,

6 dB = correction term of internal circuitry and  $\pm 3 \text{ dB}$  = tolerance of video output and intercarrier output amplitude  $V_{o(\text{rms})}$ .

Example: SAW filter G1962 (sound shelf: 20 dB)  $\Rightarrow \frac{V_{i(\text{SC})}}{V_{i(\text{PC})}} = -27 \text{ dB} \Rightarrow V_{o(\text{rms})} = 32 \text{ mV (typ.)}$ .

15. Input level for second IF from an external generator with  $50 \Omega$  source impedance. AC-coupled with 10 nF capacitor,  $f_{\text{mod}} = 1 \text{ kHz}$ , 27 kHz (54% FM deviation) of audio reference. A VIF/SIF input signal is not permitted. Pin 5 has to be connected to the positive supply voltage for minimum IF gain. S/N and THD measurements are taken at  $50 \mu\text{s}$  (75  $\mu\text{s}$  at M standard) de-emphasis (modulator pre-emphasis has to be activated). The FM demodulator steepness  $\Delta V_{o(\text{AF})}/\Delta f_{\text{AF}}$  is positive.
- a) Second IF input level 10 mV (RMS).
16. Measured with an FM deviation of 27 kHz, the typical AF output signal is 500 mV (RMS) ( $R_x = 0 \Omega$ ). By using  $R_x = 680 \Omega$  the AF output signal is attenuated by 6 dB (250 mV RMS). For handling a frequency deviation of more than 53 kHz the AF output signal has to be reduced by using  $R_x$  in order to avoid clipping (THD < 1.5%). For an FM deviation up to 100 kHz an attenuation of 6 dB is recommended with  $R_x = 680 \Omega$ .
17. The leakage current of the decoupling capacitor (2.2  $\mu\text{F}$ ) should not exceed 1  $\mu\text{A}$ .
18. For all S/N measurements, the vision IF modulator used must meet the following specifications:
- a) Incidental phase modulation for black-to-white jump less than 0.5 degrees.
- b) QSS AF performance, measured with the television-demodulator AMF2 (audio output, weighted S/N ratio) better than 60 dB (deviation  $\pm 27 \text{ kHz}$ ) for 6 kHz sine wave black-to-white video modulation.
- c) Picture-to-sound carrier ratio;  $\text{PC}/\text{SC}_1 = 13 \text{ dB}$ ; (transmitter).
19. The  $\text{PC}/\text{SC}_1$  ratio at pins 1 and 2 is calculated as the addition of TV transmitter  $\text{PC}/\text{SC}_1$  ratio and SAW filter  $\text{PC}/\text{SC}_1$  ratio. This  $\text{PC}/\text{SC}_1$  ratio is necessary to achieve the  $\text{S}/\text{N}_{\text{V}}$  values as noted. A different  $\text{PC}/\text{SC}_1$  ratio will change these values.
20. Measurements taken with SAW filter G1962 (sound shelf: 20 dB) for vision and sound IF.
21. The RIF amplifier output (pin 10) must be connected to a multistandard application ceramic filter for 5.5, 6.0 and 10.7 MHz. This total load constitutes an impedance of  $250 \Omega$ .
22.  $d_3$  tested using two signals with frequencies of  $f_1 = 10.5 \text{ MHz}$  and  $f_2 = 10.7 \text{ MHz}$ , and with a level of  $V_{i(4)(\text{max})(\text{rms})}$  for each signal.  $d_3$  is the ratio of the intermodulation product at 10.3 MHz to the output level of  $V_{i(4)(\text{max})(\text{rms})}$ .
23. The control steepness of the radio AFC detector is dependent on the characteristic of the ceramic resonator, pin 18. The figure given here will be obtained when applying a typical resonator of the type CDA 10.7 MC1-A (Murata). The spread of the control steepness depends on the spread of the ceramic resonator characteristic (see Fig.11).

Single standard multimedia IF-PLL and FM radio demodulator

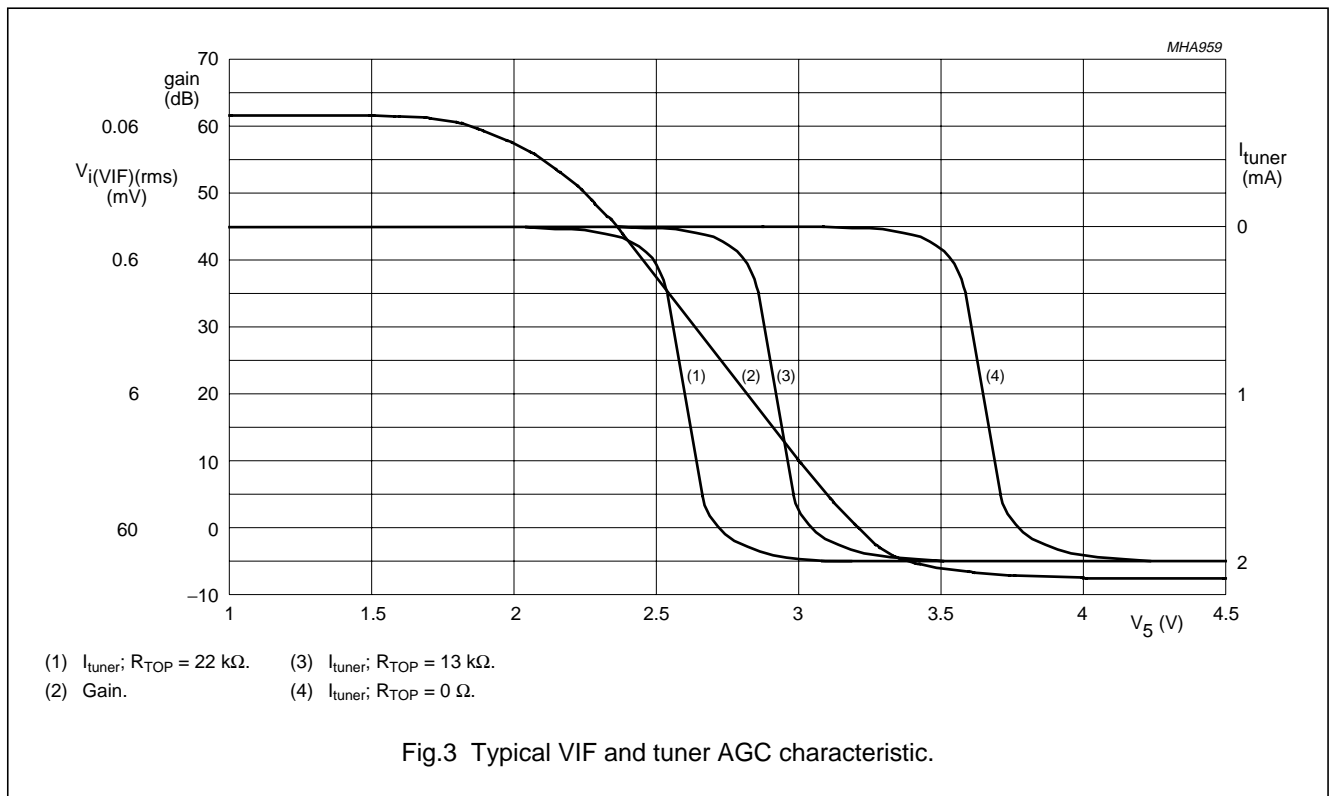
TDA9809M

**Table 1** Input frequencies and carrier ratios

DESCRIPTION	SYMBOL	B/G STANDARD	M/N STANDARD	FM RADIO	UNIT
Picture/IF carrier	$f_{PC}$ or $f_{IF}$	38.9	45.75	10.7	MHz
Sound carrier	$f_{SC1}$	33.4	41.25	–	MHz
	$f_{SC2}$	33.158	–	–	MHz
Picture-to-sound carrier	PC/SC <sub>1</sub>	13	7	–	dB
	PC/SC <sub>2</sub>	20	–	–	dB

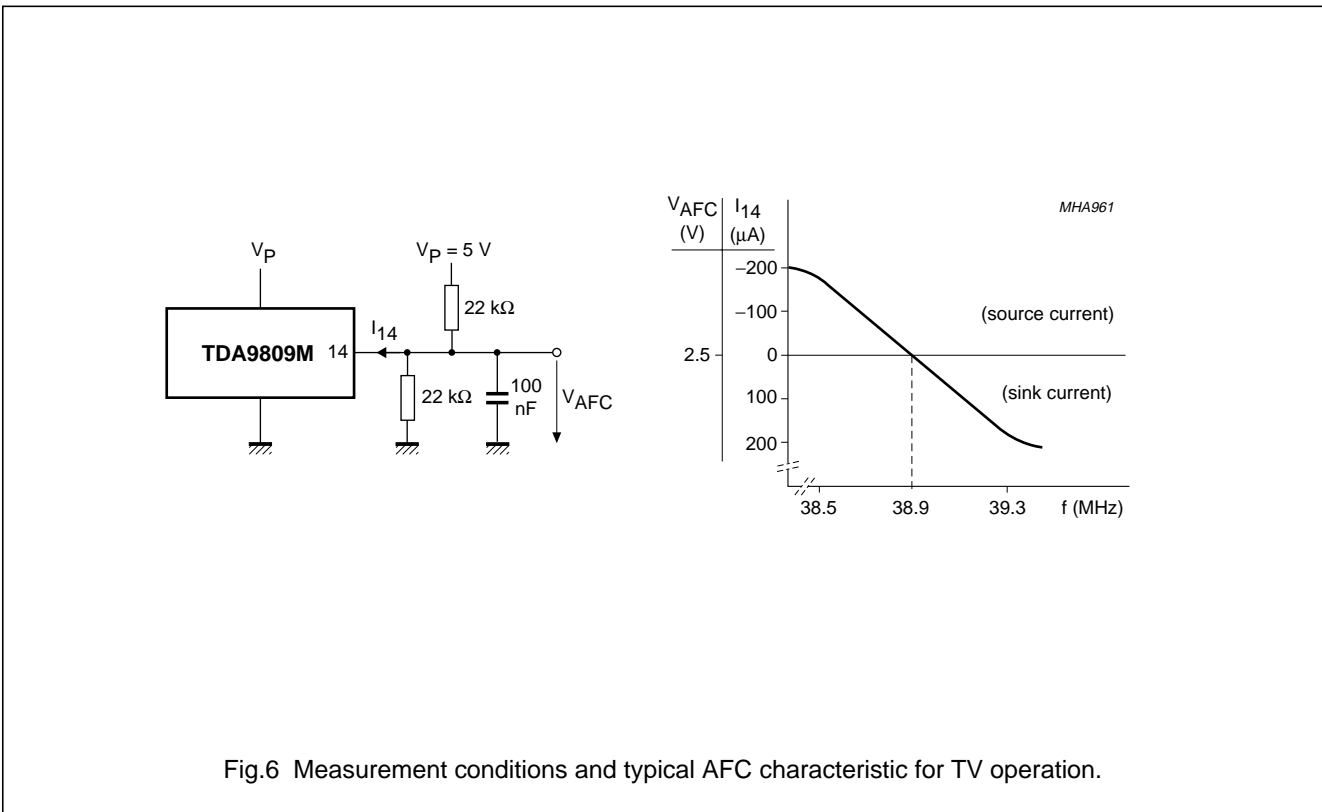
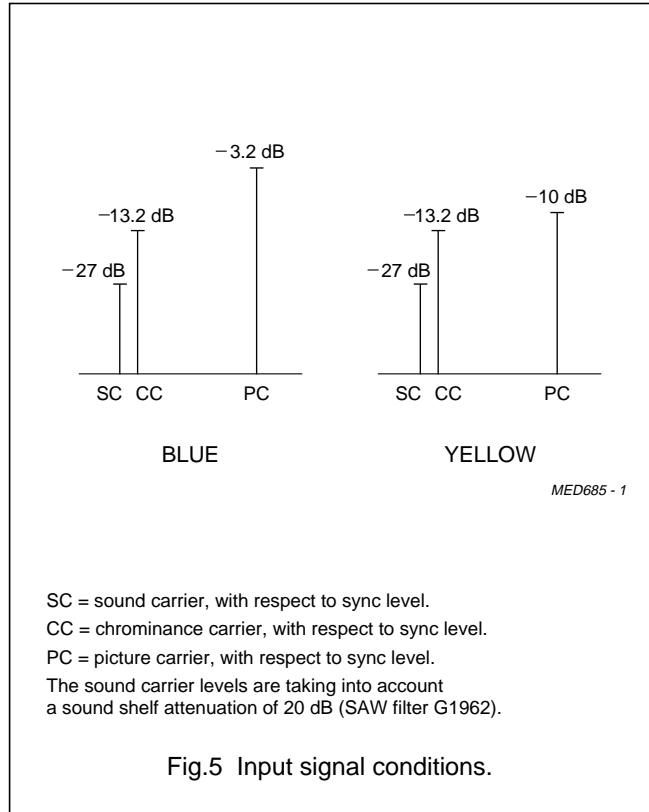
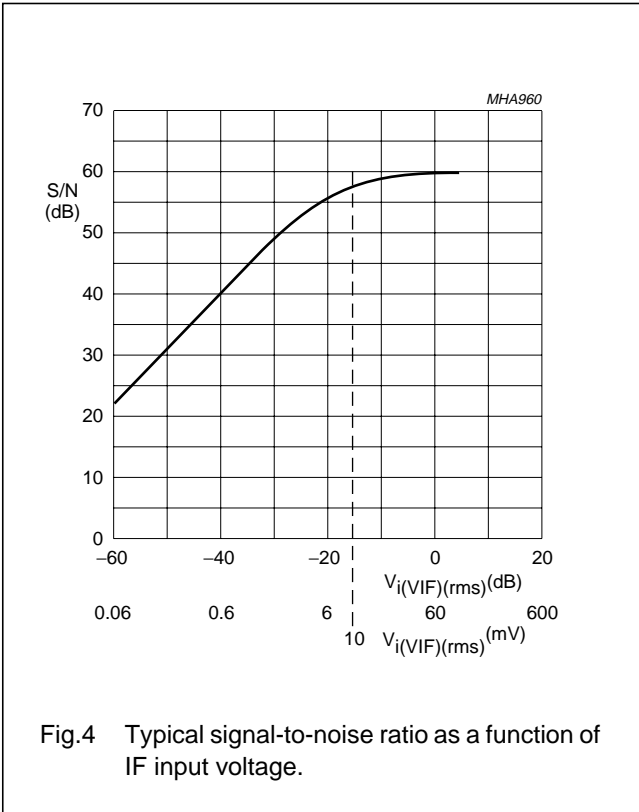
**Table 2** Switch logic

FUNCTION			LP2	LP0	REMARKS
Power-down			0	0	
TV mode		negative modulation	0	1	
Radio mode	AFC	soft mute active	1	0	RIF level dependent (25 dB)
	RIF level		1	1	



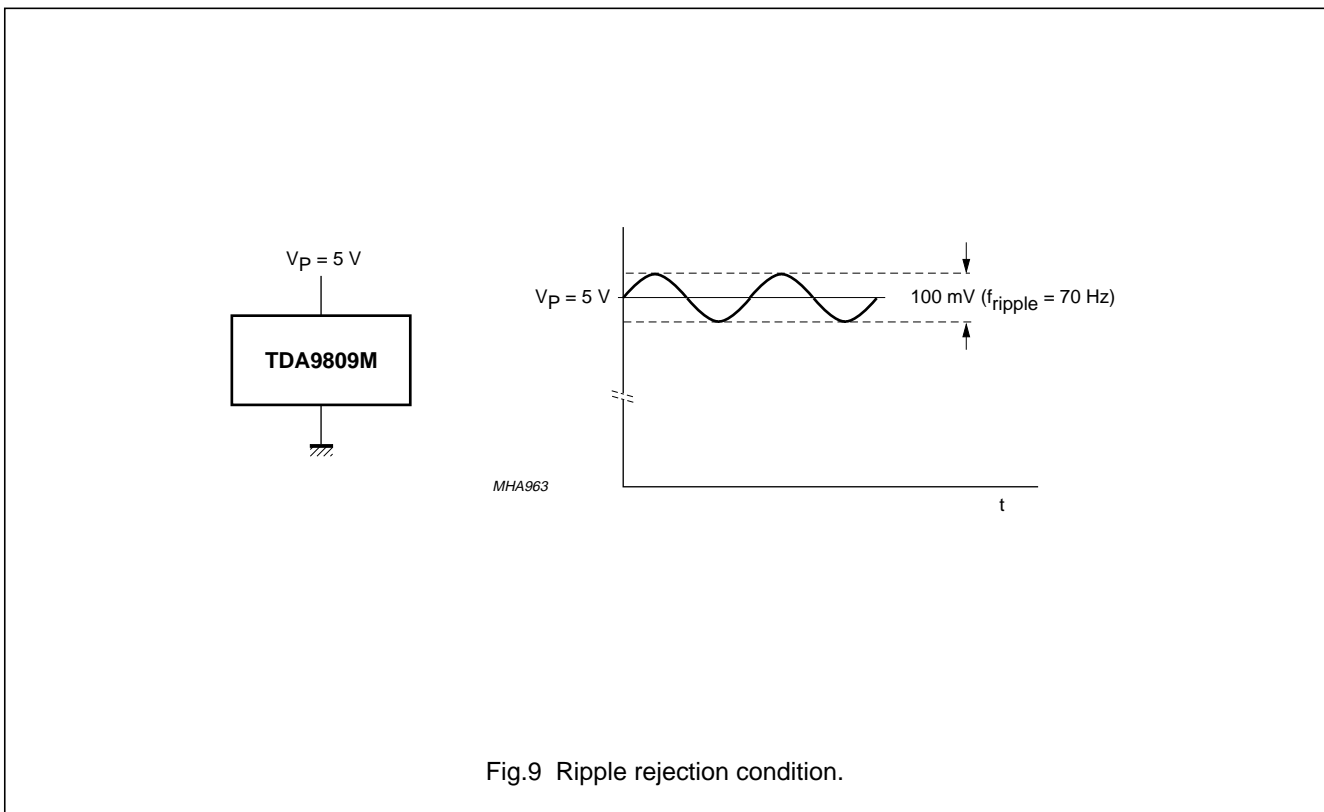
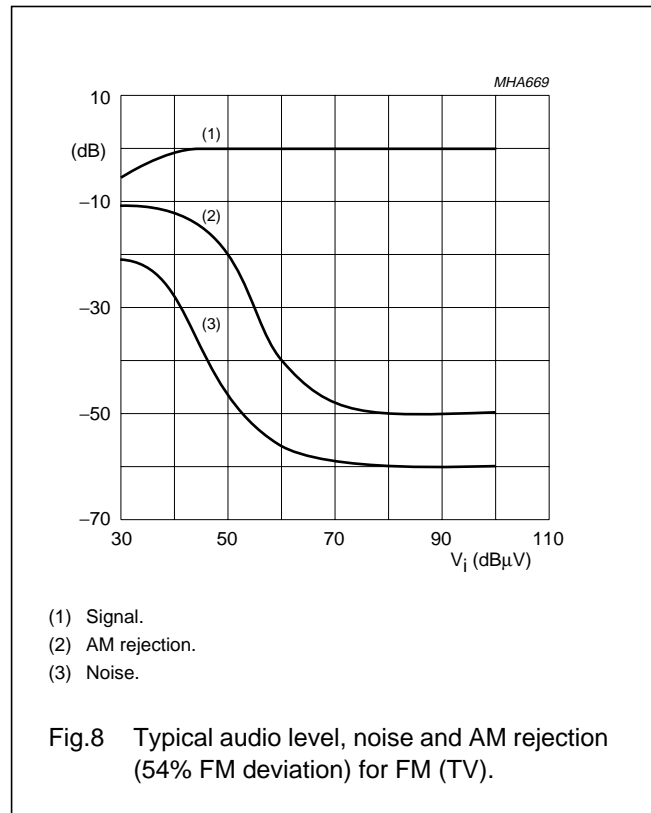
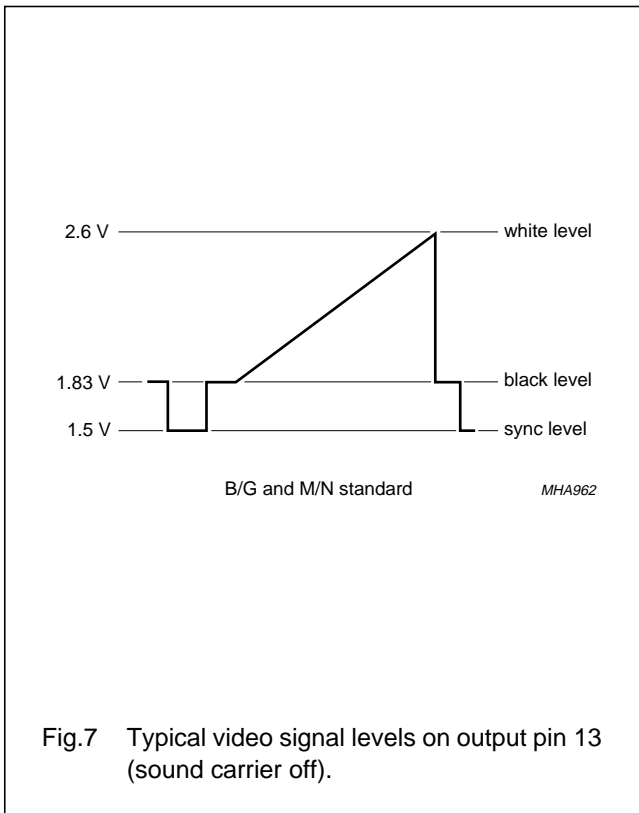
Single standard multimedia IF-PLL and FM radio demodulator

TDA9809M



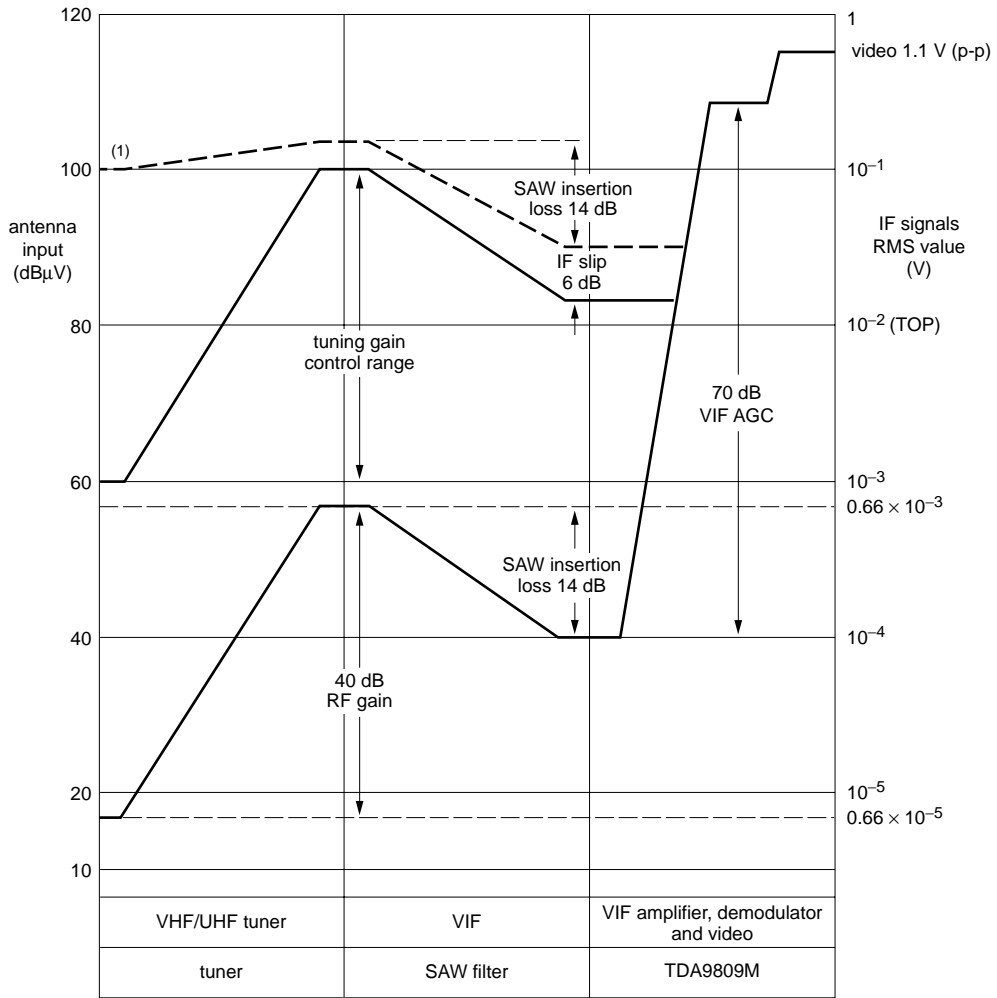
Single standard multimedia IF-PLL and FM radio demodulator

TDA9809M



Single standard multimedia IF-PLL and FM radio demodulator

TDA9809M



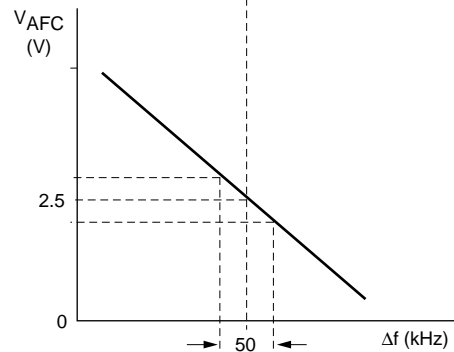
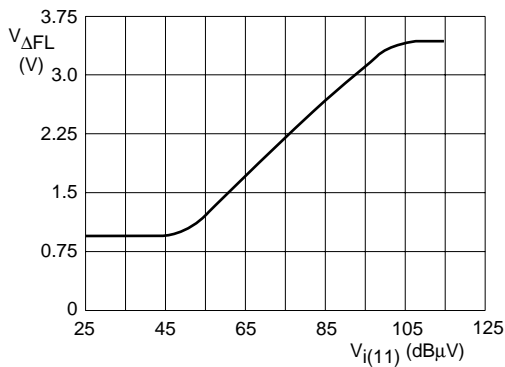
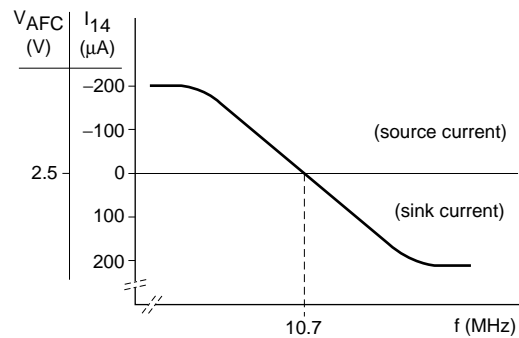
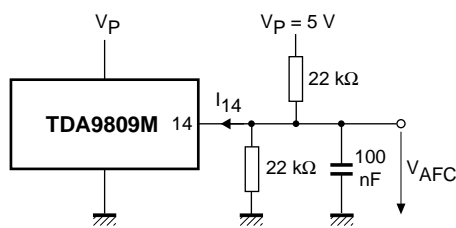
MHA964

(1) Depends on TOP.

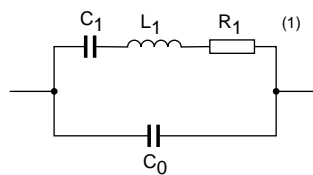
Fig.10 Front-end level diagram for TV operation.

Single standard multimedia IF-PLL and FM radio demodulator

TDA9809M



Typical level detector characteristic at radio operation



2-terminal type equivalent circuit of ceramic resonator

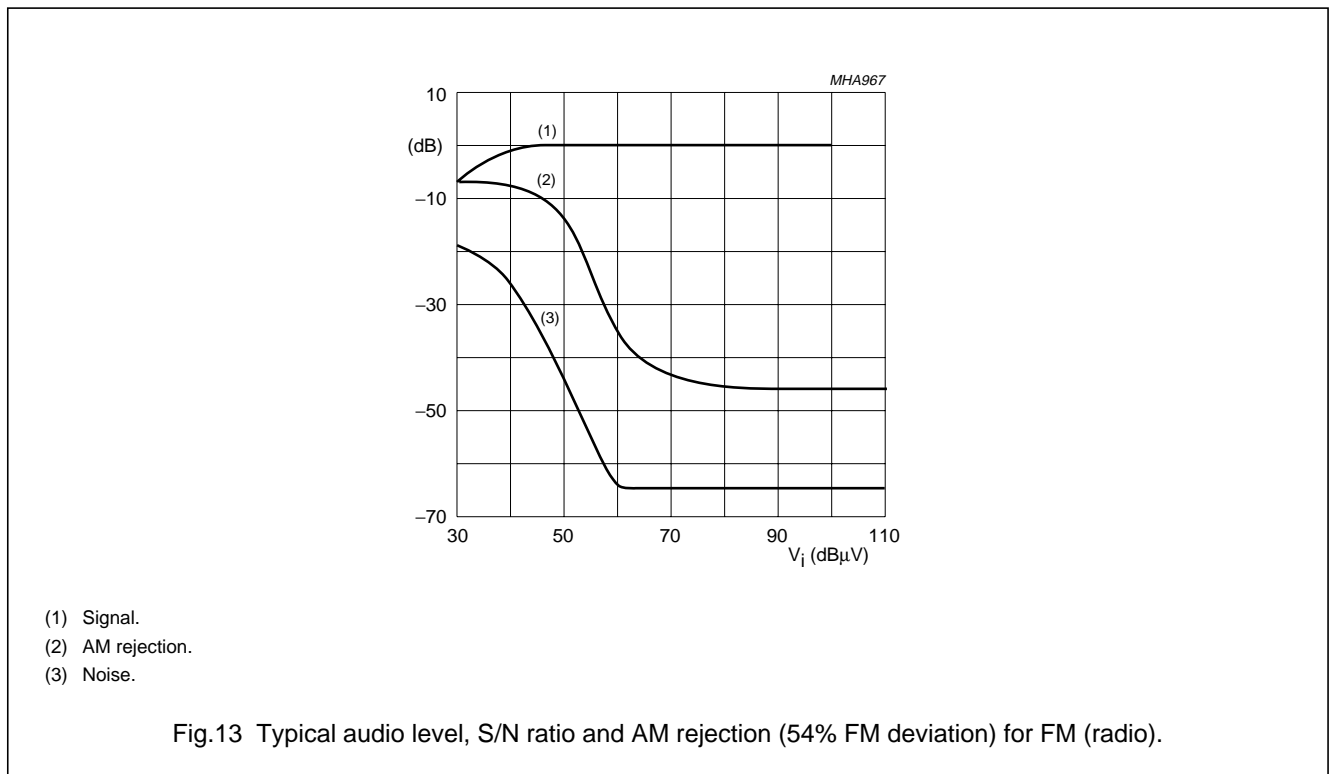
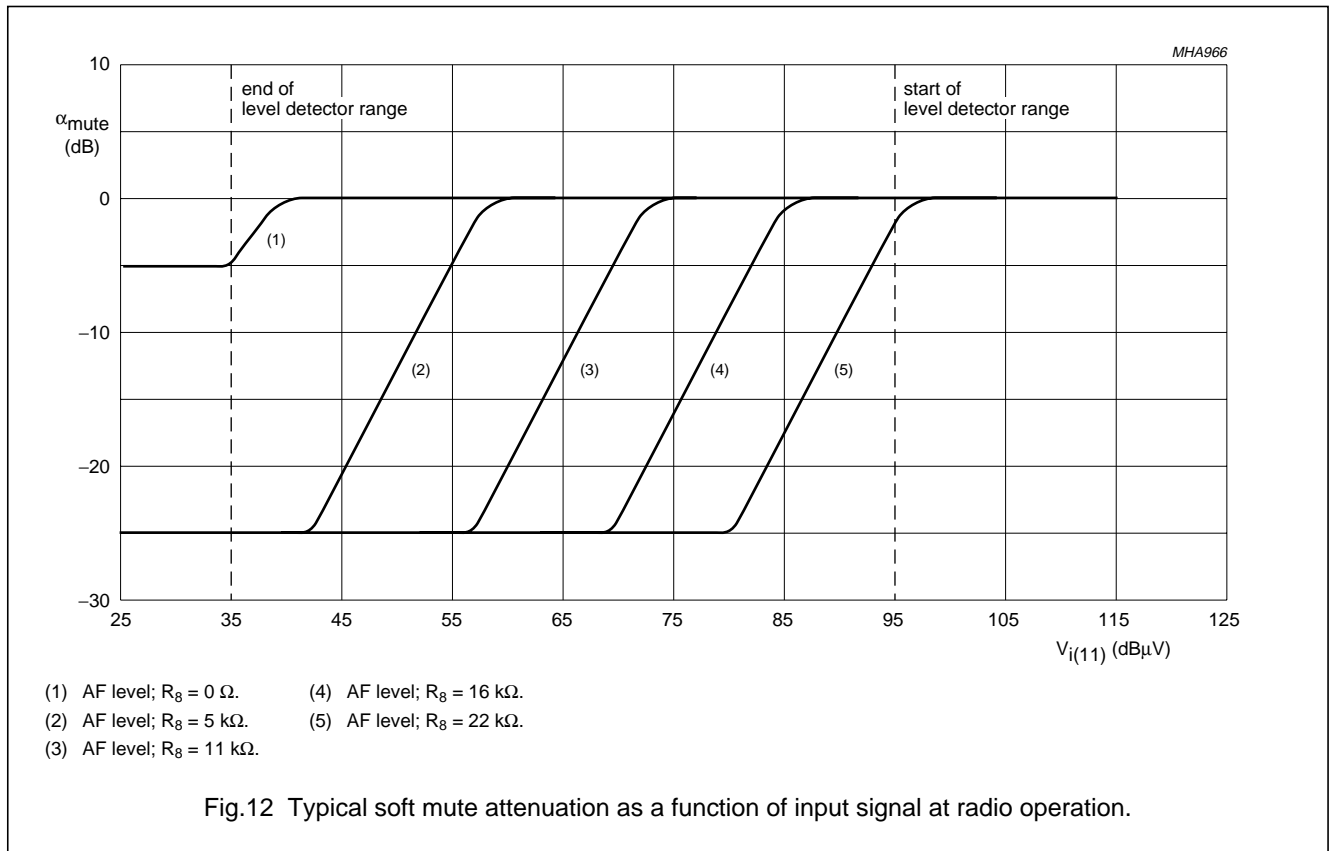
MHA965

- (1) Equivalent compliance  $C_1 = 2.35 \text{ pF}$ .
- Equivalent mass  $L_1 = 101 \text{ } \mu\text{H}$ .
- Equivalent resistance  $R_1 = 55 \text{ } \Omega$ .
- Parallel equivalent capacity  $C_0 = 18 \text{ pF}$ .

Fig.11 Measurement conditions and typical AFC characteristic for radio operation.

Single standard multimedia IF-PLL and FM  
radio demodulator

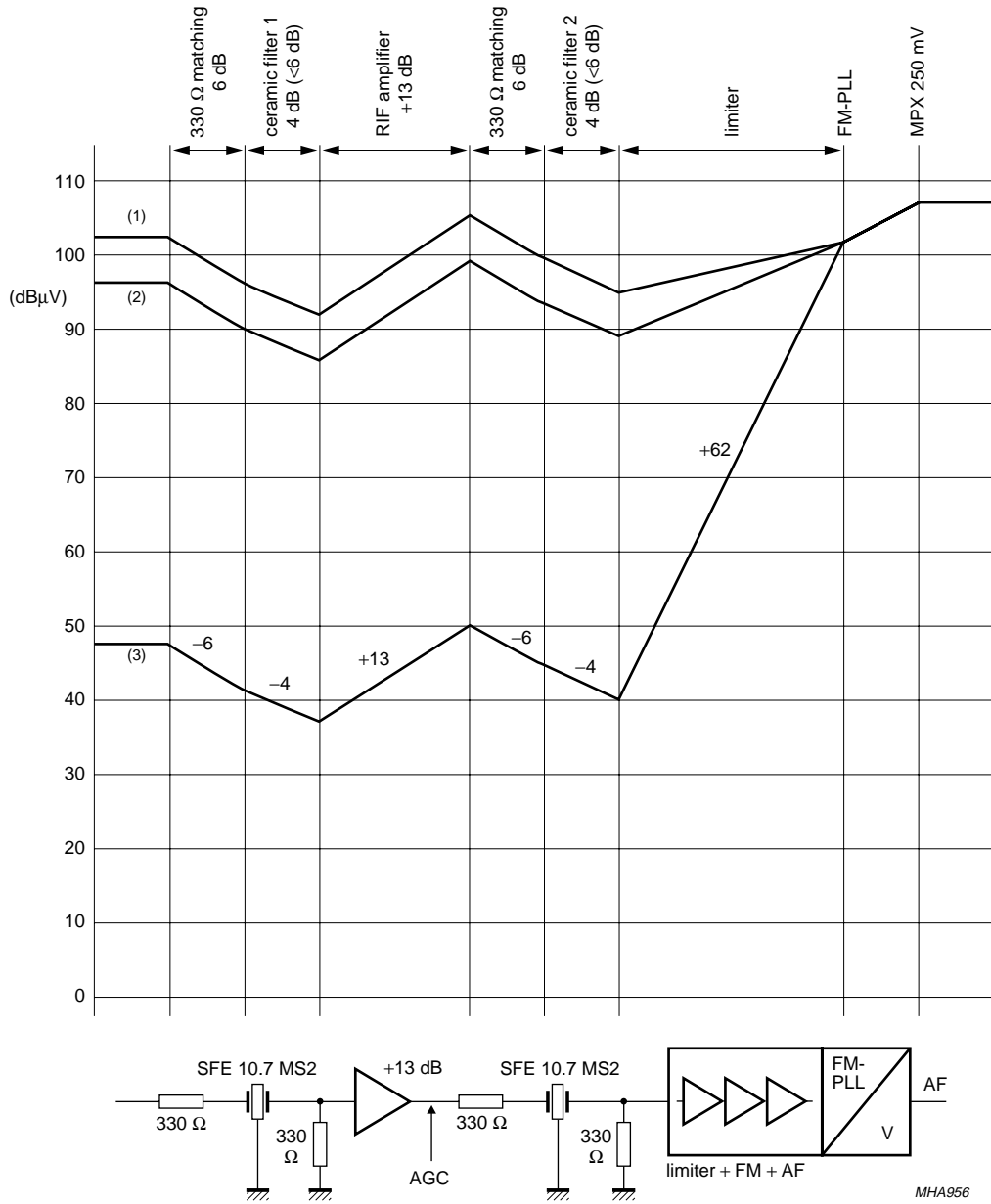
TDA9809M





Single standard multimedia IF-PLL and FM  
radio demodulator

TDA9809M



- (1) RF input 102 dBµV (onset of tuner AGC).
- (2) RF input 96 dBµV (signal condition for  $d_3 < 60$  dB).
- (3) RF input 47 dBµV.

Fig.14 Front-end level diagram for radio operation.

Single standard multimedia IF-PLL and FM radio demodulator

TDA9809M

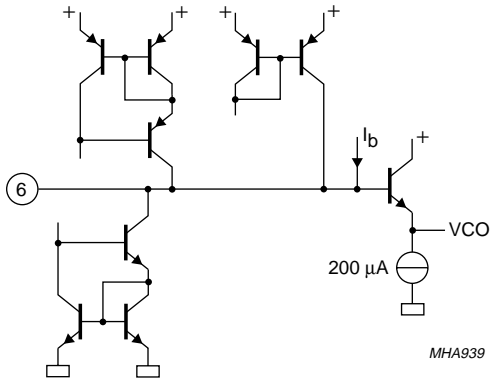
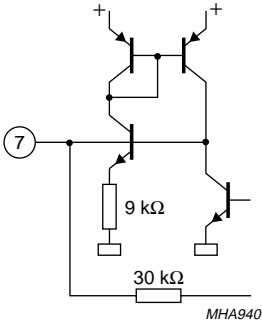
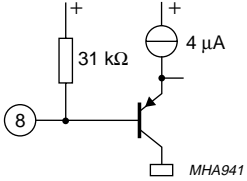
INTERNAL CIRCUITRY

Table 3 Equivalent pin circuits and pin voltages

PIN	SYMBOL	DC VOLTAGE (V)	EQUIVALENT CIRCUIT (WITHOUT ESD PROTECTION CIRCUIT)
1 2	$V_{iVIF1}$ $V_{iVIF2}$	3.4	<p>MHA935</p>
3	LP0	0 to $V_P$	<p>MHA936</p>
4	$V_{iRIF}$	2.7	<p>MHA937</p>
5	$C_{VAGC}$	1.5 to 4.0	<p>MHA938</p>

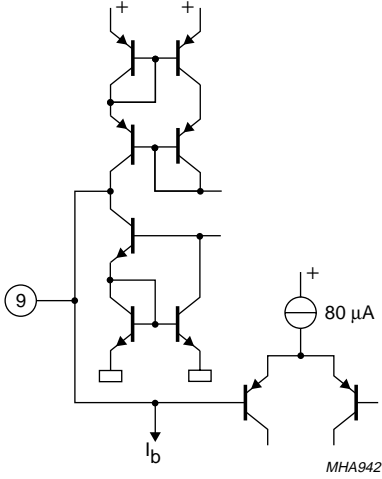
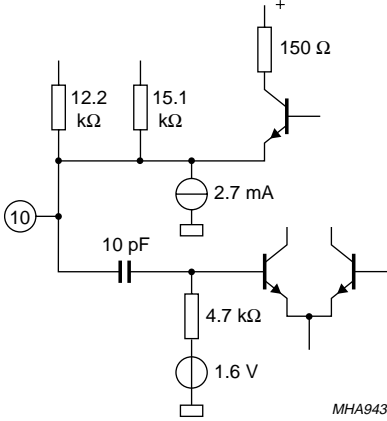
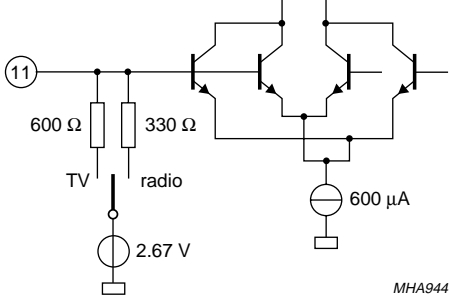
Single standard multimedia IF-PLL and FM  
radio demodulator

TDA9809M

PIN	SYMBOL	DC VOLTAGE (V)	EQUIVALENT CIRCUIT (WITHOUT ESD PROTECTION CIRCUIT)
6	$T_{PLL}$	1.5 to 4.0	
7	$V_{oAF}$	2.3	
8	LP2	0 to 3.0	

Single standard multimedia IF-PLL and FM  
radio demodulator

TDA9809M

PIN	SYMBOL	DC VOLTAGE (V)	EQUIVALENT CIRCUIT (WITHOUT ESD PROTECTION CIRCUIT)
9	$C_{DEC}$	1.2 to 3.0	
10	$V_{o(int)}$	2.0	
11	$V_{iFM}$	2.65	

Single standard multimedia IF-PLL and FM  
radio demodulator

TDA9809M

PIN	SYMBOL	DC VOLTAGE (V)	EQUIVALENT CIRCUIT (WITHOUT ESD PROTECTION CIRCUIT)
12	TAGC	0 to 13.2	
13	$V_{o(vid)}$	sync level: 1.5	
14	AFC	0.3 to $V_P - 0.3$	

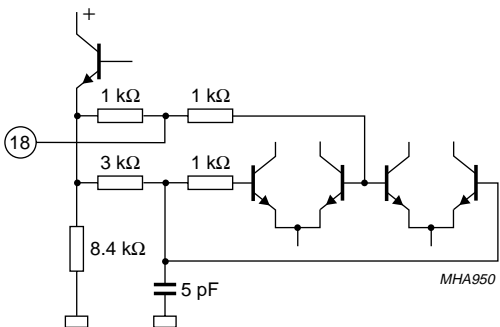
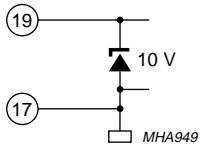
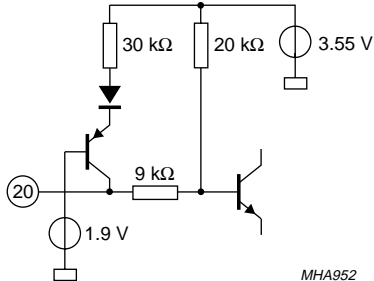
Single standard multimedia IF-PLL and FM  
radio demodulator

TDA9809M

PIN	SYMBOL	DC VOLTAGE (V)	EQUIVALENT CIRCUIT (WITHOUT ESD PROTECTION CIRCUIT)
15	VCO1	2.7	
16	VCO2	2.7	
17	GND		

Single standard multimedia IF-PLL and FM  
radio demodulator

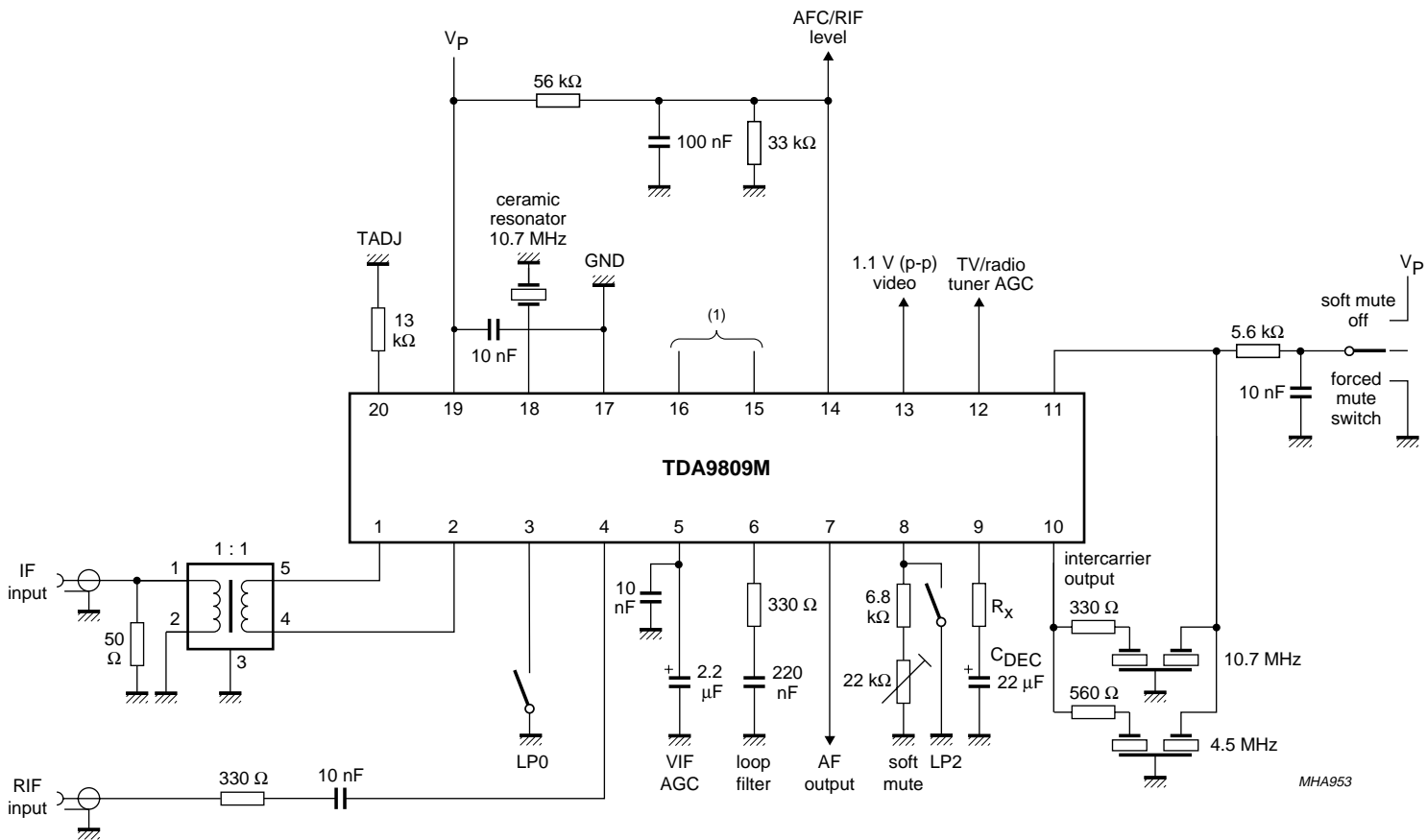
TDA9809M

PIN	SYMBOL	DC VOLTAGE (V)	EQUIVALENT CIRCUIT (WITHOUT ESD PROTECTION CIRCUIT)
18	CERRES	4.0	
19	V <sub>P</sub>		
20	TADJ	0 to 1.9	

# Single standard multimedia IF-PLL and FM radio demodulator

## TDA9809M

### TEST AND APPLICATION INFORMATION



MHA953

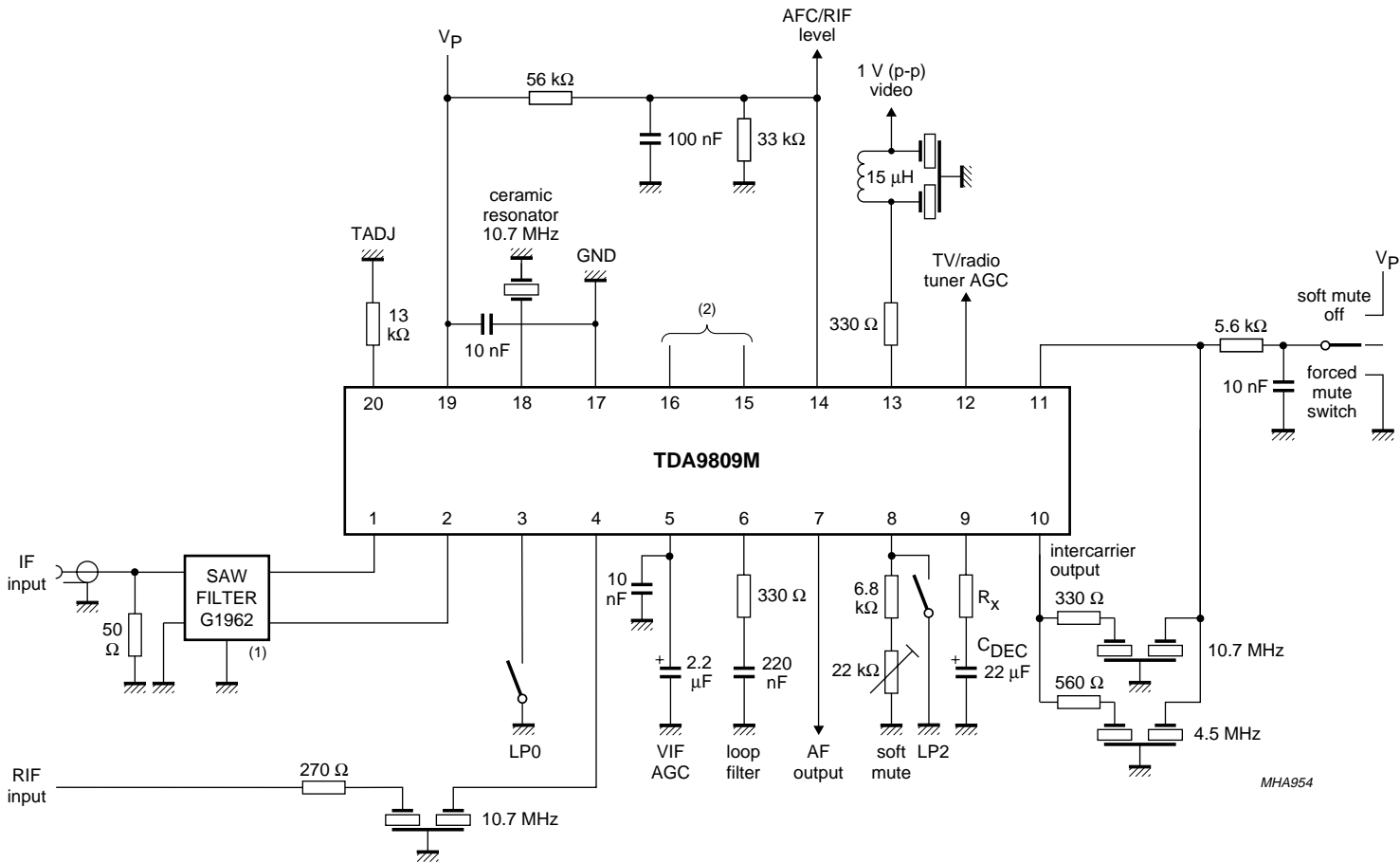
(1) See Table 4.

Fig.15 Test circuit.



# Single standard multimedia IF-PLL and FM radio demodulator

## TDA9809M



MHA954

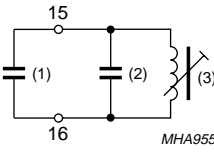
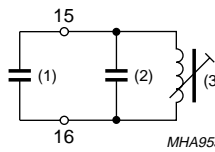
(1) Depends on standard.  
 (2) See Table 4.

Fig.16 Application circuit.

Single standard multimedia IF-PLL and FM  
radio demodulator

TDA9809M

**Table 4** Oscillator circuit for different TV standards

PARAMETER	EUROPE	USA
IF frequency	38.9 MHz	45.75 MHz
VCO frequency	77.8 MHz	91.5 MHz
Oscillator circuit	 <p>(1) <math>C_{VCO} = 8.5 \text{ pF}</math>.                  (2) <math>C = 8.2 \pm 0.25 \text{ pF}</math>.                  (3) <math>L = 251 \text{ nH}</math>.</p>	 <p>(1) <math>C_{VCO} = 8.5 \text{ pF}</math>.                  (2) <math>C = 10 \pm 0.25 \text{ pF}</math>.                  (3) <math>L = 163 \text{ nH}</math>.</p>
Toko coil	5KM 369SNS-2010Z	5KMC V369SCS-2370Z
Philips ceramic capacitor	2222 632 51828	inside coil

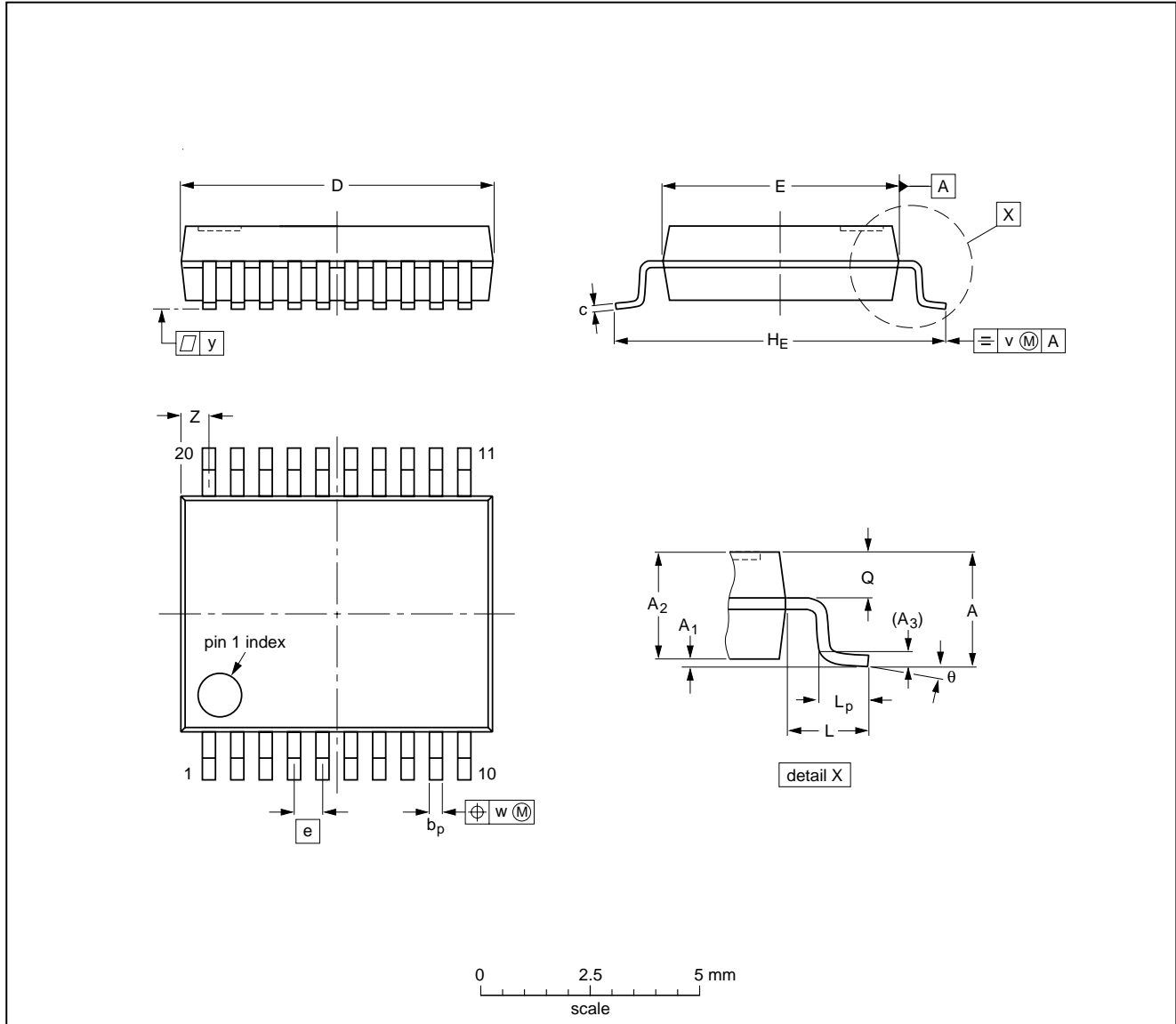
Single standard multimedia IF-PLL and FM radio demodulator

TDA9809M

PACKAGE OUTLINE

SSOP20: plastic shrink small outline package; 20 leads; body width 5.3 mm

SOT339-1



DIMENSIONS (mm are the original dimensions)

UNIT	A max.	A <sub>1</sub>	A <sub>2</sub>	A <sub>3</sub>	b <sub>p</sub>	c	D <sup>(1)</sup>	E <sup>(1)</sup>	e	H <sub>E</sub>	L	L <sub>p</sub>	Q	v	w	y	Z <sup>(1)</sup>	θ
mm	2.0	0.21 0.05	1.80 1.65	0.25	0.38 0.25	0.20 0.09	7.4 7.0	5.4 5.2	0.65	7.9 7.6	1.25	1.03 0.63	0.9 0.7	0.2	0.13	0.1	0.9 0.5	8° 0°

Note

1. Plastic or metal protrusions of 0.20 mm maximum per side are not included.

OUTLINE VERSION	REFERENCES				EUROPEAN PROJECTION	ISSUE DATE
	IEC	JEDEC	EIAJ			
SOT339-1		MO-150AE				93-09-08 95-02-04

## Single standard multimedia IF-PLL and FM radio demodulator

TDA9809M

### SOLDERING

#### Introduction

There is no soldering method that is ideal for all IC packages. Wave soldering is often preferred when through-hole and surface mounted components are mixed on one printed-circuit board. However, wave soldering is not always suitable for surface mounted ICs, or for printed-circuits with high population densities. In these situations reflow soldering is often used.

This text gives a very brief insight to a complex technology. A more in-depth account of soldering ICs can be found in our "*IC Package Databook*" (order code 9398 652 90011).

#### Reflow soldering

Reflow soldering techniques are suitable for all SSOP packages.

Reflow soldering requires solder paste (a suspension of fine solder particles, flux and binding agent) to be applied to the printed-circuit board by screen printing, stencilling or pressure-syringe dispensing before package placement.

Several techniques exist for reflowing; for example, thermal conduction by heated belt. Dwell times vary between 50 and 300 seconds depending on heating method. Typical reflow temperatures range from 215 to 250 °C.

Preheating is necessary to dry the paste and evaporate the binding agent. Preheating duration: 45 minutes at 45 °C.

#### Wave soldering

Wave soldering is **not** recommended for SSOP packages. This is because of the likelihood of solder bridging due to closely-spaced leads and the possibility of incomplete solder penetration in multi-lead devices.

If wave soldering cannot be avoided, the following conditions must be observed:

- **A double-wave (a turbulent wave with high upward pressure followed by a smooth laminar wave) soldering technique should be used.**
- **The longitudinal axis of the package footprint must be parallel to the solder flow and must incorporate solder thieves at the downstream end.**

**Even with these conditions, only consider wave soldering SSOP packages that have a body width of 4.4 mm, that is SSOP16 (SOT369-1) or SSOP20 (SOT266-1).**

During placement and before soldering, the package must be fixed with a droplet of adhesive. The adhesive can be applied by screen printing, pin transfer or syringe dispensing. The package can be soldered after the adhesive is cured.

Maximum permissible solder temperature is 260 °C, and maximum duration of package immersion in solder is 10 seconds, if cooled to less than 150 °C within 6 seconds. Typical dwell time is 4 seconds at 250 °C.

A mildly-activated flux will eliminate the need for removal of corrosive residues in most applications.

#### Repairing soldered joints

Fix the component by first soldering two diagonally-opposite end leads. Use only a low voltage soldering iron (less than 24 V) applied to the flat part of the lead. Contact time must be limited to 10 seconds at up to 300 °C. When using a dedicated tool, all other leads can be soldered in one operation within 2 to 5 seconds between 270 and 320 °C.

---

**Single standard multimedia IF-PLL and FM  
radio demodulator**


---

TDA9809M

**DEFINITIONS**

<b>Data sheet status</b>	
Objective specification	This data sheet contains target or goal specifications for product development.
Preliminary specification	This data sheet contains preliminary data; supplementary data may be published later.
Product specification	This data sheet contains final product specifications.
<b>Limiting values</b>	
Limiting values given are in accordance with the Absolute Maximum Rating System (IEC 134). Stress above one or more of the limiting values may cause permanent damage to the device. These are stress ratings only and operation of the device at these or at any other conditions above those given in the Characteristics sections of the specification is not implied. Exposure to limiting values for extended periods may affect device reliability.	
<b>Application information</b>	
Where application information is given, it is advisory and does not form part of the specification.	

**LIFE SUPPORT APPLICATIONS**

These products are not designed for use in life support appliances, devices, or systems where malfunction of these products can reasonably be expected to result in personal injury. Philips customers using or selling these products for use in such applications do so at their own risk and agree to fully indemnify Philips for any damages resulting from such improper use or sale.

---

Single standard multimedia IF-PLL and FM  
radio demodulator

---

TDA9809M

**NOTES**

---

Single standard multimedia IF-PLL and FM  
radio demodulator

---

TDA9809M

**NOTES**

# Philips Semiconductors – a worldwide company

**Argentina:** see South America

**Australia:** 34 Waterloo Road, NORTH RYDE, NSW 2113,  
Tel. +61 2 9805 4455, Fax. +61 2 9805 4466

**Austria:** Computerstr. 6, A-1101 WIEN, P.O. Box 213, Tel. +43 160 1010,  
Fax. +43 160 101 1210

**Belarus:** Hotel Minsk Business Center, Bld. 3, r. 1211, Volodarski Str. 6,  
220050 MINSK, Tel. +375 172 200 733, Fax. +375 172 200 773

**Belgium:** see The Netherlands

**Brazil:** see South America

**Bulgaria:** Philips Bulgaria Ltd., Energoproject, 15th floor,  
51 James Bourchier Blvd., 1407 SOFIA,  
Tel. +359 2 689 211, Fax. +359 2 689 102

**Canada:** PHILIPS SEMICONDUCTORS/COMPONENTS,  
Tel. +1 800 234 7381

**China/Hong Kong:** 501 Hong Kong Industrial Technology Centre,  
72 Tat Chee Avenue, Kowloon Tong, HONG KONG,  
Tel. +852 2319 7888, Fax. +852 2319 7700

**Colombia:** see South America

**Czech Republic:** see Austria

**Denmark:** Prags Boulevard 80, PB 1919, DK-2300 COPENHAGEN S,  
Tel. +45 32 88 2636, Fax. +45 31 57 0044

**Finland:** Sinikalliontie 3, FIN-02630 ESPOO,  
Tel. +358 9 615800, Fax. +358 9 61580920

**France:** 51 Rue Carnot, BP317, 92156 SURESNES Cedex,  
Tel. +33 1 40 99 6161, Fax. +33 1 40 99 6427

**Germany:** Hammerbrookstraße 69, D-20097 HAMBURG,  
Tel. +49 40 23 53 60, Fax. +49 40 23 536 300

**Greece:** No. 15, 25th March Street, GR 17778 TAVROS/ATHENS,  
Tel. +30 1 4894 339/239, Fax. +30 1 4814 240

**Hungary:** see Austria

**India:** Philips INDIA Ltd, Band Box Building, 2nd floor,  
254-D, Dr. Annie Besant Road, Worli, MUMBAI 400 025,  
Tel. +91 22 493 8541, Fax. +91 22 493 0966

**Indonesia:** see Singapore

**Ireland:** Newstead, Clonskeagh, DUBLIN 14,  
Tel. +353 1 7640 000, Fax. +353 1 7640 200

**Israel:** RAPAC Electronics, 7 Kehilat Saloniki St, PO Box 18053,  
TEL AVIV 61180, Tel. +972 3 645 0444, Fax. +972 3 649 1007

**Italy:** PHILIPS SEMICONDUCTORS, Piazza IV Novembre 3,  
20124 MILANO, Tel. +39 2 6752 2531, Fax. +39 2 6752 2557

**Japan:** Philips Bldg 13-37, Kohnan 2-chome, Minato-ku, TOKYO 108,  
Tel. +81 3 3740 5130, Fax. +81 3 3740 5077

**Korea:** Philips House, 260-199 Itaewon-dong, Yongsan-ku, SEOUL,  
Tel. +82 2 709 1412, Fax. +82 2 709 1415

**Malaysia:** No. 76 Jalan Universiti, 46200 PETALING JAYA, SELANGOR,  
Tel. +60 3 750 5214, Fax. +60 3 757 4880

**Mexico:** 5900 Gateway East, Suite 200, EL PASO, TEXAS 79905,  
Tel. +9-5 800 234 7381

**Middle East:** see Italy

**Netherlands:** Postbus 90050, 5600 PB EINDHOVEN, Bldg. VB,  
Tel. +31 40 27 82785, Fax. +31 40 27 88399

**New Zealand:** 2 Wagener Place, C.P.O. Box 1041, AUCKLAND,  
Tel. +64 9 849 4160, Fax. +64 9 849 7811

**Norway:** Box 1, Manglerud 0612, OSLO,  
Tel. +47 22 74 8000, Fax. +47 22 74 8341

**Philippines:** Philips Semiconductors Philippines Inc.,  
106 Valero St. Salcedo Village, P.O. Box 2108 MCC, MAKATI,  
Metro MANILA, Tel. +63 2 816 6380, Fax. +63 2 817 3474

**Poland:** Ul. Lukiska 10, PL 04-123 WARSZAWA,  
Tel. +48 22 612 2831, Fax. +48 22 612 2327

**Portugal:** see Spain

**Romania:** see Italy

**Russia:** Philips Russia, Ul. Usatcheva 35A, 119048 MOSCOW,  
Tel. +7 095 755 6918, Fax. +7 095 755 6919

**Singapore:** Lorong 1, Toa Payoh, SINGAPORE 1231,  
Tel. +65 350 2538, Fax. +65 251 6500

**Slovakia:** see Austria

**Slovenia:** see Italy

**South Africa:** S.A. PHILIPS Pty Ltd., 195-215 Main Road Martindale,  
2092 JOHANNESBURG, P.O. Box 7430 Johannesburg 2000,  
Tel. +27 11 470 5911, Fax. +27 11 470 5494

**South America:** Al. Vicente Pinzon, 173, 6th floor,  
04547-130 SÃO PAULO, SP, Brazil,  
Tel. +55 11 821 2333, Fax. +55 11 821 2382

**Spain:** Balmes 22, 08007 BARCELONA,  
Tel. +34 3 301 6312, Fax. +34 3 301 4107

**Sweden:** Kottbygatan 7, Akalla, S-16485 STOCKHOLM,  
Tel. +46 8 632 2000, Fax. +46 8 632 2745

**Switzerland:** Allmendstrasse 140, CH-8027 ZÜRICH,  
Tel. +41 1 488 2686, Fax. +41 1 488 3263

**Taiwan:** Philips Semiconductors, 6F, No. 96, Chien Kuo N. Rd., Sec. 1,  
TAIPEI, Taiwan Tel. +886 2 2134 2865, Fax. +886 2 2134 2874

**Thailand:** PHILIPS ELECTRONICS (THAILAND) Ltd.,  
209/2 Sanpavuth-Bangna Road Prakanong, BANGKOK 10260,  
Tel. +66 2 745 4090, Fax. +66 2 398 0793

**Turkey:** Talatpasa Cad. No. 5, 80640 GÜLTEPE/ISTANBUL,  
Tel. +90 212 279 2770, Fax. +90 212 282 6707

**Ukraine:** PHILIPS UKRAINE, 4 Patrice Lumumba str., Building B, Floor 7,  
252042 KIEV, Tel. +380 44 264 2776, Fax. +380 44 268 0461

**United Kingdom:** Philips Semiconductors Ltd., 276 Bath Road, Hayes,  
MIDDLESEX UB3 5BX, Tel. +44 181 730 5000, Fax. +44 181 754 8421

**United States:** 811 East Arques Avenue, SUNNYVALE, CA 94088-3409,  
Tel. +1 800 234 7381

**Uruguay:** see South America

**Vietnam:** see Singapore

**Yugoslavia:** PHILIPS, Trg N. Pasica 5/v, 11000 BEOGRAD,  
Tel. +381 11 625 344, Fax. +381 11 635 777

**For all other countries apply to:** Philips Semiconductors,  
International Marketing & Sales Communications, Building BE-p, P.O. Box 218,  
5600 MD EINDHOVEN, The Netherlands, Fax. +31 40 27 24825

**Internet:** <http://www.semiconductors.philips.com>

© Philips Electronics N.V. 1998

SCA57

All rights are reserved. Reproduction in whole or in part is prohibited without the prior written consent of the copyright owner.

The information presented in this document does not form part of any quotation or contract, is believed to be accurate and reliable and may be changed without notice. No liability will be accepted by the publisher for any consequence of its use. Publication thereof does not convey nor imply any license under patent- or other industrial or intellectual property rights.

Printed in The Netherlands

547047/1200/01/pp40

Date of release: 1998 Jan 08

Document order number: 9397 750 02595

*Let's make things better.*

**Philips  
Semiconductors**



**PHILIPS**