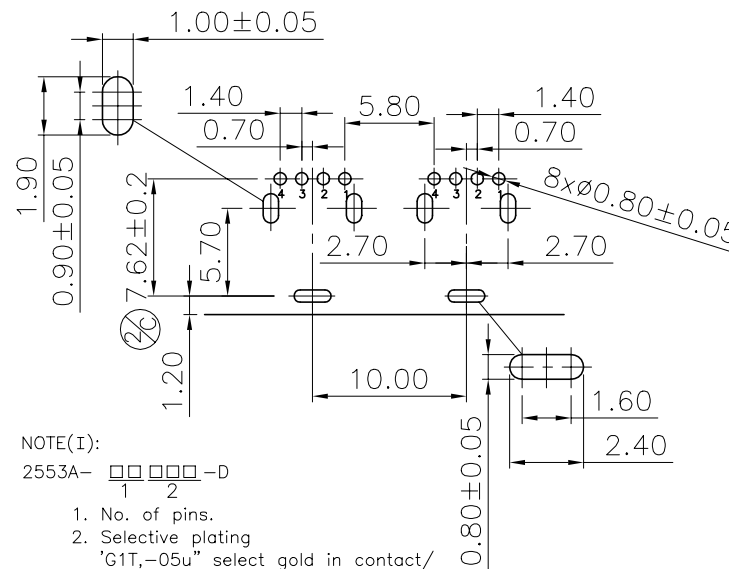


DETAIL "A"  
SCALE (16:1)

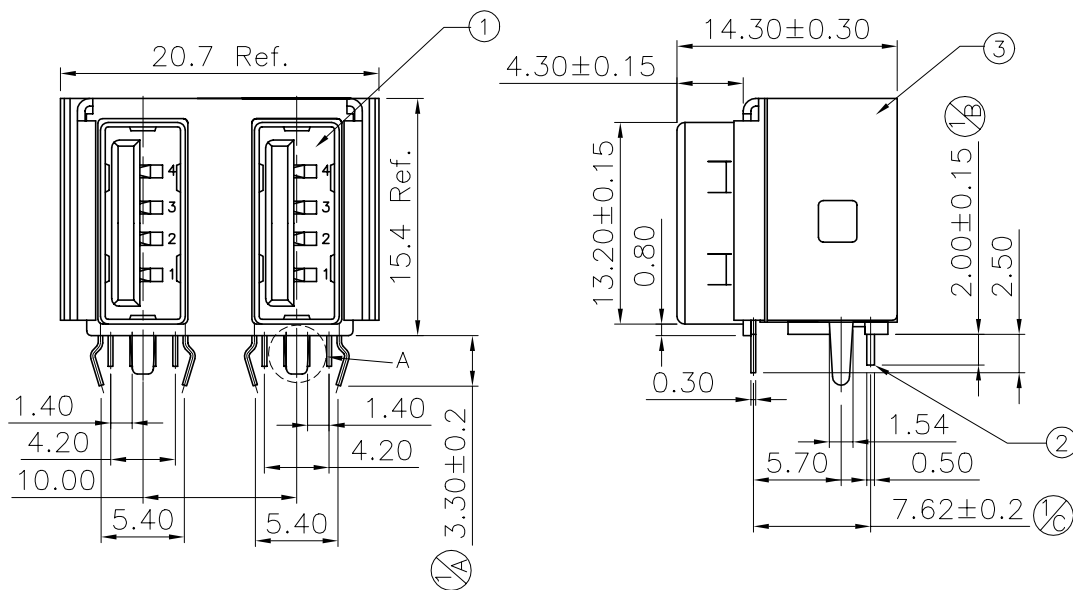
Recommended P.C.B Layout(Component Side)



NOTE(I):

2553A- □□□□-D

1. No. of pins.
2. Selective plating  
 'G1T,-05u" select gold in contact/  
 Min. 100u" tin in solder area  
 'G2T,-Gold flash in contact area/  
 Min. 100u" tin in solder area  
 'G3T,-10u" select gold in contact/  
 Min. 100" tin in solder area  
 'G4T,-15u" select gold in contact/  
 Min. 100u" tin in solder area  
 'G5T,-30u" select gold in contact/  
 Min. 100u" tin in solder area  
 'G6T,-50u" select gold in contact/  
 Min. 100u" tin in solder area



3	Shell	Copper	—	Nickel Plated
2	Terminal	Pho.Bronze	—	Selective Gold/Tin
1	Housing	LCP	Black	UL 94V-0
NO. DESCRIPTION		MATERIAL	COLOR	REMARK

**SUYIN**  
CONNECTOR

CUSTOMER COPY	TITLE: Rear For USB A Series			
PART NO.	2553A-08GXT-D			
DRAWING NO.	2553A-08GXT-D			
SCALE	4:1	UNIT	mm	A4

ECN (DCN) NO.	REV	DATE	DESCRIPTION	CHANGE	APPRO.	GENERAL TOLERANCE UNLESS OTHERWISE NOTED	APPRO.	宋權哲	05/05/01'
ECN-T010821-03	B	01/08/13	C1~C2:7.62-->7.62±0.2;			Angle ±2'	DRAW	張志瑋	05/05/01'
ECN-T010702-14	A	01/07/02	B-10	張志瑋	宋權哲	30 ~ ±0.50	DESIGN	張志瑋	05/05/01'
	O	01/05/07	3.65-->3.30±0.2	張志瑋	宋權哲	10 ~ 30 ±0.30	CHECK	宋權哲	05/05/01'
			NEW	張志瑋	宋權哲	~ 10 ±0.15	APPRO.	宋權哲	05/05/01'