

**PLEASE CHECK WWW.MOLEX.COM FOR LATEST PART INFORMATION**

**Part Number:** [0714393264](#)  
**Status:** **Active**  
**Description:** 1.00mm (.039") Pitch Mezzanine IEEE 1386 Receptacle, Surface Mount, Dual Row, Vertical Stacking, Embossed Tape on Reel, 1.27µm (50µ") Gold (Au), 64 Circuits Pick and Place Cap

**Documents:**

[3D Model](#) [Product Specification PS-71436-9999 \(PDF\)](#)  
[Drawing \(PDF\)](#) [RoHS Certificate of Compliance \(PDF\)](#)

**General**

Product Family	PCB Receptacles
Series	<a href="#">71439</a>
Application	Board-to-Board
Comments	Plugs
Product Name	Mezzanine

**Physical**

Circuits (Loaded)	64
Color - Resin	Natural
Glow-Wire Compliant	No
Lock to Mating Part	Yes
Mated Height (in)	0.551 In, 0.591 In
Mated Height (mm)	14.00 mm, 15.00 mm
Material - Metal	Phosphor Bronze
Material - Plating Mating	Gold
Material - Plating Termination	Tin
Material - Resin	High Temperature Thermoplastic
Number of Rows	2
Orientation	Vertical
PCB Locator	Yes
PCB Retention	Yes
PCB Thickness Recommended (in)	0.040 In
PCB Thickness Recommended (mm)	1.00 mm
Packaging Type	Embossed Tape on Reel
Pitch - Mating Interface (in)	0.039 In
Pitch - Mating Interface (mm)	1.00 mm
Plating min: Mating (µin)	50.8
Plating min: Mating (µm)	1.27
Plating min: Termination (µin)	76.4
Plating min: Termination (µm)	1.91
Polarized to PCB	No
Robotic Placement	Pick and Place Cap
Surface Mount Compatible (SMC)	N/A
Temperature Range - Operating	-55°C to +85°C
Termination Interface: Style	Surface Mount

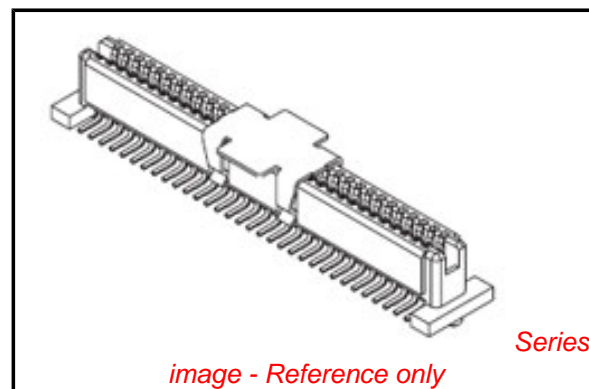
**Electrical**

Current - Maximum per Contact	1A
Voltage - Maximum	100V

**Solder Process Data**

Lead-free Process Capability	Reflow Capable (SMT only)
Process Temperature max. C	260

**Material Info**



*image - Reference only*

**EU RoHS**

**ELV and RoHS Compliant**  
**REACH SVHC Contains SVHC: No**  
**Halogen-Free Status**

**China RoHS**



**Need more information on product environmental compliance?**

Email [productcompliance@molex.com](mailto:productcompliance@molex.com)  
 For a multiple part number RoHS Certificate of Compliance, [click here](#)

Please visit the [Contact Us](#) section for any non-product compliance questions.

**Search Parts in this Series**

[71439Series](#)

**Mates With**

[714361](#) for Stack Height 14.00mm (.551"),  
[714362](#) for Stack Height 15.00mm (.591")

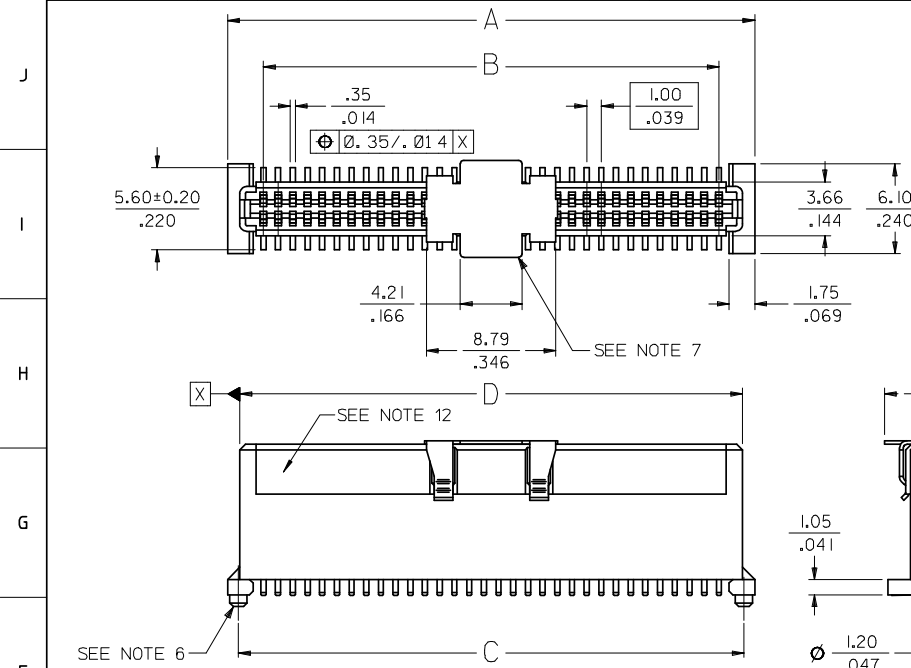
**Reference - Drawing Numbers**

Product Specification  
Sales Drawing

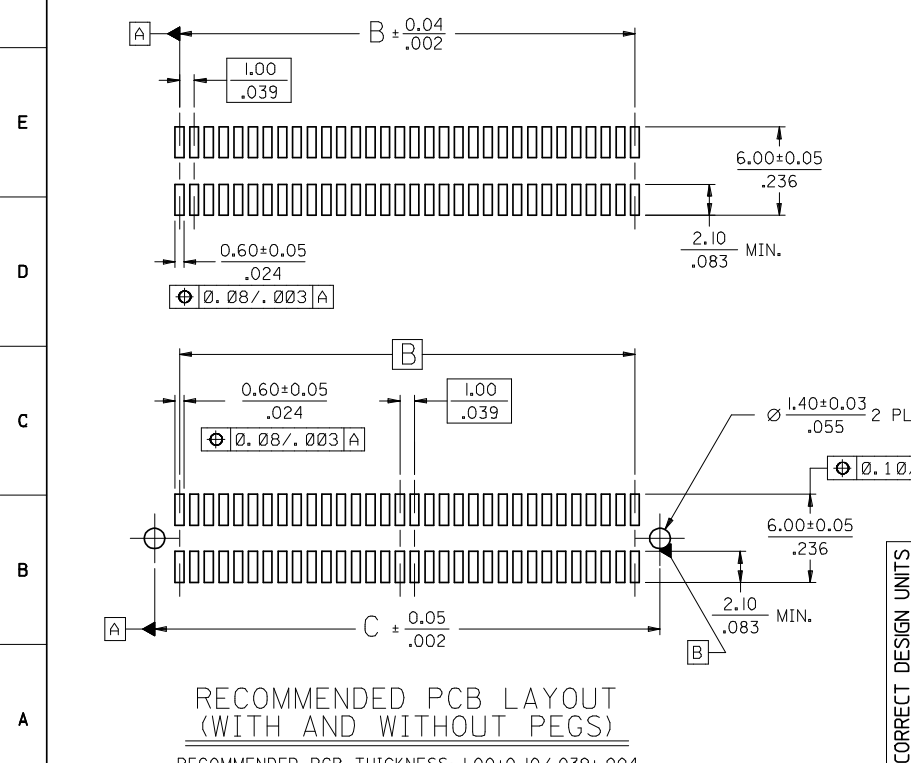
PS-71436-9999  
SDA-71439-3\*\*\*

This document was generated on 03/31/2010

**PLEASE CHECK [WWW.MOLEX.COM](http://WWW.MOLEX.COM) FOR LATEST PART INFORMATION**



CIRCUIT SIZE	DIM. A	DIM. B	DIM. C	DIM. D
20	13.90 .547	9.00 .354	12.40 .488	12.22 .481
30	18.90 .744	14.00 .551	17.40 .685	17.22 .678
40	23.90 1.138	19.00 .748	22.40 1.079	22.22 1.072
50	28.90 1.335	24.00 .945	27.40 1.276	27.22 1.269
60	33.90 1.413	29.00 1.220	32.40 1.354	32.22 1.347
64	35.90 1.531	31.00 1.339	34.40 1.472	34.22 1.465
70	38.90 1.728	34.00 1.535	37.40 1.669	37.22 1.662
80	43.90 1.925	39.00 1.732	42.40 1.866	42.22 1.859
84	45.90 2.122	41.00 1.929	44.40 2.063	44.22 2.056
90	48.90 2.122	44.00 1.929	47.40 2.063	47.22 2.056
100	53.90 2.319	49.00 2.126	52.40 2.260	52.22 2.253
110	58.90 2.319	54.00 2.126	57.40 2.260	57.22 2.253
120	63.90 2.516	59.00 2.323	62.40 2.457	62.22 2.450



**NOTES:**

- HOUSING MATERIAL: LIQUID CRYSTAL POLYMER (LCP) GLASS FILLED.; UL RATING: 94V-0; COLOR: WHITE OR BLACK  
TERMINAL MATERIAL: PHOSPHOR BRONZE; 0.205/-.0080 THICK  
VACUUM CAP MATERIAL: STAINLESS STEEL; 0.255/-.0100 THICK
- PLATING FINISHES: SEE SHEET 2
- PRODUCT SPECIFICATION: PS-71436-999
- PACKAGING SPECIFICATIONS: REFER TO CHART ON SHEET 2.
- MATES WITH: 71436 SERIES. SEE SHEET 2 FOR MATING VIEW AND STACK HEIGHT.
- PEGS ARE OPTIONAL. REFER TO CHART ON SHEET 2.
- VACUUM PICK & PLACE CAP IS OPTIONAL. REFER TO CHART ON SHEET 2.
- THIS PART CONFORMS TO EIA STANDARD 700 AAAB FOR 1.0mm TWO-PART CONNECTORS FOR USE WITH PARALLEL PRINTED BOARDS.
- COPLANARITY OF SMT TAILS: 0.10/-.004 MAX.
- 64-CIRCUIT RECEPTACLE ASSEMBLY WITH PEGS AND VACUUM CAP SHOWN FOR ILLUSTRATION PURPOSES ONLY.
- DIMENSIONS ARE IN mm/in. INCH DIMENSIONS SHOWN FOR REFERENCE ONLY.
- ASSEMBLY TO HAVE DATE CODE: XX XX  
WEEK \_\_\_\_\_ YEAR

2	K
1	K
SHT	REV

RECOMMENDED PCB LAYOUT  
(WITH AND WITHOUT PEGS)  
RECOMMENDED PCB THICKNESS: 1.00±0.10/-.039±.004

CORRECT DESIGN UNITS EC NO: UCP2008-2484 DRAWN: MSIBARRA 2008/04/22 CHKD: BBARKER 2008/05/06 APPR: SMILLER 2008/05/06	QUALITY SYMBOLS ▼=0 ▽=0	GENERAL TOLERANCES (UNLESS SPECIFIED) mm INCH 4 PLACES ±--- ±--- 3 PLACES ±--- ±.005 2 PLACES ±0.13 ±.01 1 PLACE ±0.25 ±--- ANGULAR ±1/2°	DIMENSION STYLE MM/IN DRAWN BY REED DATE 1995/03/23 CHECKED BY DATE REED DATE 1995/03/23 APPROVED BY BIXLER DATE 1995/03/23	SCALE 4:1 DESIGN UNITS METRIC THIRD ANGLE PROJECTION	TITLE 1.0MM BOARD-TO-BOARD RECEPTACLE CONNECTOR 10.30/406 STACK HEIGHT	
	DRAFT WHERE APPLICABLE MUST REMAIN WITHIN DIMENSIONS	MATERIAL NO. SEE TABLE DOCUMENT NO. SDA-71439-3***	SHEET NO. 1 OF 2	MOLEX INCORPORATED		
	THIS DRAWING CONTAINS INFORMATION THAT IS PROPRIETARY TO MOLEX INCORPORATED AND SHOULD NOT BE USED WITHOUT WRITTEN PERMISSION					
	INCORPORATED AND SHOULD NOT BE USED WITHOUT WRITTEN PERMISSION					

WHITE (NATURAL) MATERIAL

CIRCUIT SIZE	RECEPTACLE ASSY. ITEM NUMBER	PEGS	CONTACT PLATING (SEE PLATING NOTES)	PICK & PLACE CAP	PACKAGING SPEC. NUMBER	PACKAGING TYPE
64	71439-3164	YES	30 GOLD	NO	PK-70873-0693	TUBE
64	71439-3364	YES	30 GOLD	YES	PK-70873-0693	TUBE
64	71439-3464	YES	30 GOLD	YES	PK-70873-063	TAPE & REEL
64	71439-3564	NO	30 GOLD	NO	PK-70873-0692	TUBE
64	71439-3764	NO	30 GOLD	YES	PK-70873-0692	TUBE
64	71439-3864	NO	30 GOLD	YES	PK-70873-063	TAPE & REEL
64	71439-3264	NO	50 GOLD	YES	PK-70873-063	TAPE & REEL

PLATING NOTES:

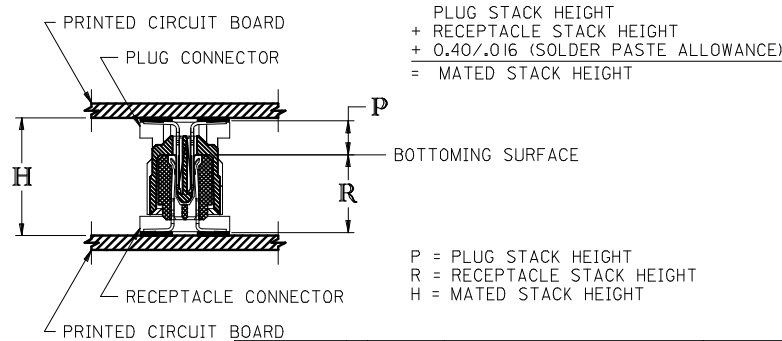
30 GOLD: SELECTIVE GOLD (Au) IN THE CONTACT AREA;  
THICKNESS = 0.76 MICROMETERS (30 MICROINCHES) MINIMUM;  
SELECTIVE TIN (Sn) IN THE PC TAIL AREA;  
THICKNESS = 1.88 MICROMETERS (75 MICROINCHES) MINIMUM;  
NICKEL UNDERPLATE OVERALL.

50 GOLD: SELECTIVE GOLD (Au) IN THE CONTACT AREA;  
THICKNESS = 1.27 MICROMETERS (50 MICROINCHES) MINIMUM;  
SELECTIVE TIN (Sn) IN THE PC TAIL AREA;  
THICKNESS = 1.88 MICROMETERS (75 MICROINCHES) MINIMUM;  
NICKEL UNDERPLATE OVERALL.

\*THE PRIMARY SHIPPING CARTON WILL BE LABELED 'COMPLIANT TO RoHS DIRECTIVE 2002/95/EC AND ELV ANNEX II OF DIRECTIVE 2000/53/EC'. CARTONS WITHOUT THIS LABEL MAY CONTAIN PRODUCT WITH LEAD.

RECOMMENDED PLUG/RECEPTACLE COMBINATION FOR MATED STACK HEIGHT PER EIA STANDARD 700 AAAB

MATED STACK HEIGHT	RECEPTACLE HEIGHT	RECEPTACLE SERIES NO.	PLUG HEIGHT	PLUG SERIES NO.
14.00/.551	10.30/.406	71439-3***	3.30/.130	71436-1***
15.00/.591	10.30/.406	71439-3***	4.30/.169	71436-2***



CORRECT DESIGN UNITS EC NO: UCP2008-2484 DRAWN:MSI/BARRA 2008/04/22 CHKD:BBARKER 2008/05/06 APPR:SMILLER 2008/05/06	QUALITY SYMBOLS ▽=0 ▽=0	GENERAL TOLERANCES (UNLESS SPECIFIED)	DIMENSION STYLE MM/IN	SCALE ---	DESIGN UNITS METRIC	THIRD ANGLE PROJECTION
		4 PLACES ±--- ±--- 3 PLACES ±--- ±--- 2 PLACES ±--- ±--- 1 PLACE ±--- ±---	mm INCH	DRAWN BY REED	DATE 1995/03/23	TITLE ASSY 1.0MM BOARD-T-BOARD RECEPTACLE CONNECTOR 10.30/406 STACK HEIGHT
		ANGULAR ±1/2°		CHECKED BY REED	DATE 1995/03/23	MOLEX MOLEX INCORPORATED
		DRAFT WHERE APPLICABLE MUST REMAIN WITHIN DIMENSIONS		APPROVED BY BIXLER	DATE 1995/03/23	DOCUMENT NO. SDA-71439-3***
			SEE TABLE	THIS DRAWING CONTAINS INFORMATION THAT IS PROPRIETARY TO MOLEX INCORPORATED AND SHOULD NOT BE USED WITHOUT WRITTEN PERMISSION		