

BLF052SURC/E28V HYPER RED

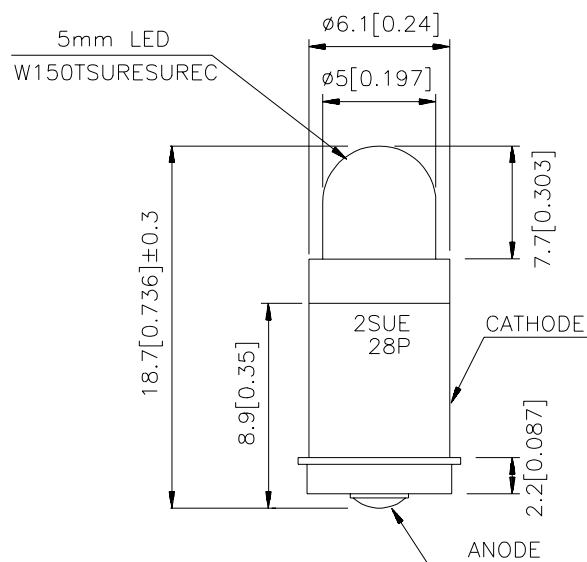
Features

- BUILT-IN CURRENT LIMITING RESISTOR FOR DIRECT APPLICATION OF DIFFERENT ACROSS CURRENT.
- LONG LIFE.
- LOW CURRENT, POWER SAVINGS.
- LOW MAINTENANCE.
- DIFFERENT COLOR AVAILABLE.
- SOLID STATE, HIGH VIBRATION RESISTANT.
- 28V INTERNAL RESISTOR.

Description

The Hyper Red source color devices are made with DH InGaAlP on GaAs substrate Light Emitting Diode.

Package Dimensions



Notes:

1. All dimensions are in millimeters (inches).
2. Tolerance is ±0.25(0.01") unless otherwise noted.
3. Specifications are subject to change without notice.

Selection Guide

| Part No. | Dice | Lens Type | Iv (mcd) V=28V | | Viewing Angle |
|-----------------|--------------------|-------------|-------------------|------|---------------|
| | | | Min. | Typ. | 2θ1/2 |
| BLF052SURC/E28V | Hyper Red(InGaAlP) | WATER CLEAR | 480 | 800 | 45° |

Note:

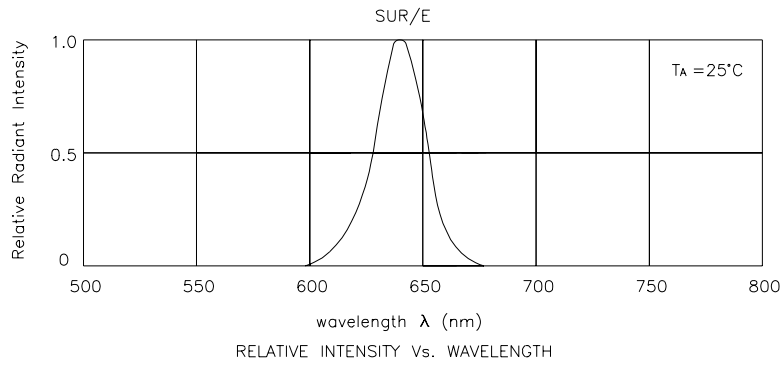
1. θ1/2 is the angle from optical centerline where the luminous intensity is 1/2 the optical centerline value.

Electrical / Optical Characteristics at T_A=25°C

| Symbol | Parameter | Device | Typ. | Max. | Units | Test Conditions |
|-------------------|--------------------------|-----------|------|------|-------|---------------------|
| λ _{peak} | Peak Wavelength | Hyper Red | 640 | - | nm | V _F =28V |
| λ _D | Wavelength at Dominate | Hyper Red | 630 | - | nm | V _F =28V |
| Δλ _{1/2} | Spectral Line Half-width | Hyper Red | 25 | - | nm | V _F =28V |
| I _F | Forward Current | Hyper Red | 10.3 | - | mA | V _F =28V |
| I _R | Reverse Current | Hyper Red | - | 10 | uA | V _R = 5V |

Absolute Maximum Ratings at T_A=25°C

| Parameter | Hyper Red | Units |
|-----------------------|----------------|-------|
| Power dissipation | 400 | mW |
| Forward Voltage | 30 | V |
| Reverse Voltage | 5 | V |
| Operating Temperature | -40°C To +70°C | |
| Storage Temperature | -40°C To +85°C | |



Hyper Red BLF052SURC/E28V

