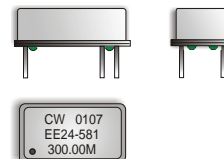


CRYSTAL CONTROLLED OSCILLATORS

14 PIN 3.3V LVPECL CLOCK WITH ENABLE / DISABLE



EE24-581

ABSOLUTE MAXIMUM RATINGS

TABLE 1.0

PARAMETER	UNITS	MINIMUM	NOMINAL	MAXIMUM	UNITS	NOTE
Storage Temperature		-40	-	85	°C	
Supply Voltage	(Vcc)	-0.5	-	7.0	Vdc	

OPERATING SPECIFICATIONS

TABLE 2.0

PARAMETER		MINIMUM	NOMINAL	MAXIMUM	UNITS	NOTE
Frequency Range	(Fo)	-	300	-	MHz	
Total Frequency Tolerance		-35	-	35	ppm	1
Operating Temperature Range		0	-	70	°C	
Supply Voltage	(Vcc)	3.135	3.3	3.465	Vdc	
Supply Current	(Icc)	-	-	60	mA	
Jitter (BW=10Hz to 20MHz)		-	-	5	ps rms	
Jitter (BW=12kHz to 20MHz)		-	-	1	ps rms	

INPUT CHARACTERISTICS

TABLE 3.0

PARAMETER		MINIMUM	NOMINAL	MAXIMUM	UNITS	NOTE
Disable Input Voltage (High)	(Vih)	2.275	-	-	Vdc	2
Enable Input Voltage (Low)	(Vil)	-	-	1.68	Vdc	2

**PECL OUTPUT
CHARACTERISTICS**

TABLE 4.0

PARAMETER		MINIMUM	NOMINAL	MAXIMUM	UNITS	NOTE
LOAD		-	-	50	Ohms	3
Voltage (High)	(Voh)	2.275	-	-	Vdc	
Voltage (Low)	(Vol)	-	-	1.68	Vdc	
Duty Cycle		44	50	55	%	4
Rise / Fall Time 20% to 80%		-	-	1	nS	

PACKAGE CHARACTERISTICS

TABLE 5.0

Package	Hermetically sealed, 14 Pin metal package
---------	---

Notes

- 1) Includes calibration, stability vs. temperature, supply and load variations, shock, vibration and aging (10 years).
- 2) When oscillator is disabled the true output is in a low state (Vol) and the complementary output is in the high state (Voh)
- 3) Output must be terminated into 50 ohms to Vcc - 2V or Thevenin equivalent.
- 4) Duty Cycle measured at 1.977V

DESCRIPTION

The Connor-Winfield EE24-581 is a fixed frequency Crystal Controlled Oscillator (XO) designed for applications requiring low jitter and a tight frequency stability. Operating at 3.3V supply voltage, the EE24-581 provides LVPECL Differential outputs with enable/disable.

FEATURES

- 3.3V OPERATION
- LOW JITTER <1pS RMS
- FREQUENCY STABILITY ±35PPM
- ENABLE / DISABLE FUNCTION
- LVPECL DIFFERENTIAL OUTPUTS

ORDERING INFORMATION

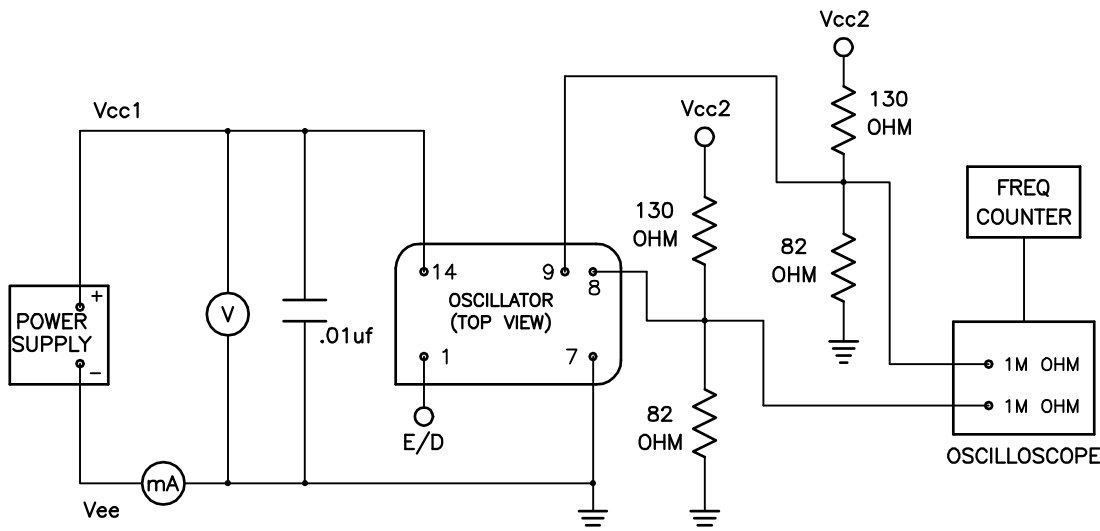
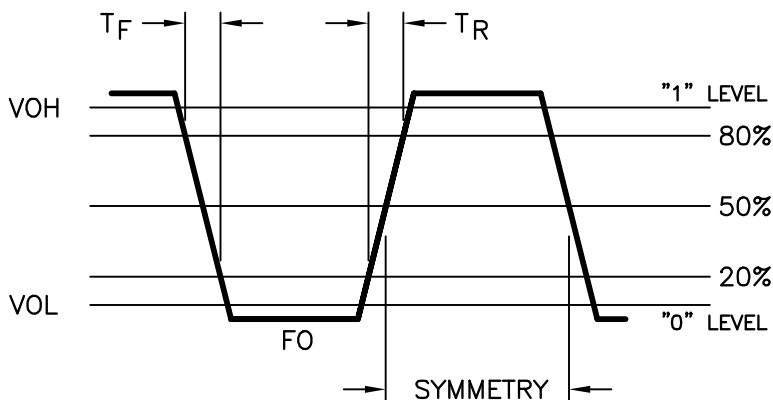
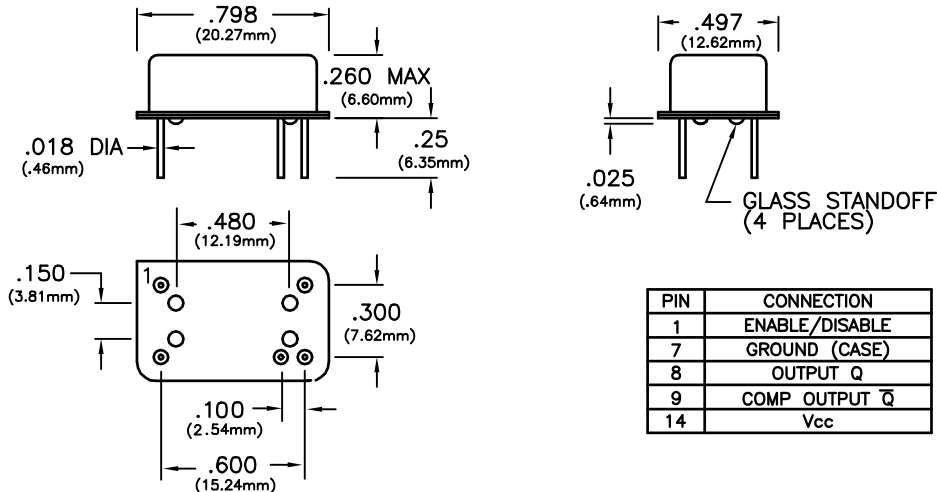
EE24-581 - 300.00 MHz

LVPECL
CLOCK
SERIES

CENTER
FREQUENCY

Specifications subject to change without notice.

CRYSTAL CONTROLLED OSCILLATORS



Specifications subject to change without notice.