

**PLEASE CHECK WWW.MOLEX.COM FOR LATEST PART INFORMATION**

**Part Number:** [0391001007](#)  
**Status:** **Active**  
**Description:** 10.00mm (.394") Pitch Beau™ Eurostyle™ Two-Screw Terminal Strips, 7 Circuits

**Documents:**

[3D Model](#) [RoHS Certificate of Compliance \(PDF\)](#)  
[Drawing \(PDF\)](#)

**Agency Certification**

CSA 25562  
 UL E82573

**General**

Product Family Terminal Blocks  
 Series [39100](#)  
 Application Wire-to-Wire  
 Component Type One Piece  
 Product Literature Order No USA-303  
 Product Name Eurostyle™ Two Screw  
 Type Euro Block

**Physical**

Circuits (Loaded) 7  
 Entry Angle Horizontal  
 Flammability 94V-2  
 Lock to Mating Part None  
 Number of Rows 2  
 Orientation Vertical  
 PCB Retention Yes  
 Panel Mount Mounting Holes Between Circuit  
 Pitch - Mating Interface (in) 0.394 In  
 Pitch - Mating Interface (mm) 10.00 mm  
 Pitch - Term. Interface (in) 0.315 In  
 Pitch - Term. Interface (mm) 8.00 mm  
 Polarized to Mating Part No  
 Stackable No  
 Temperature Range - Operating 100°C  
 Wire Size AWG 10, 12, 14, 16, 18

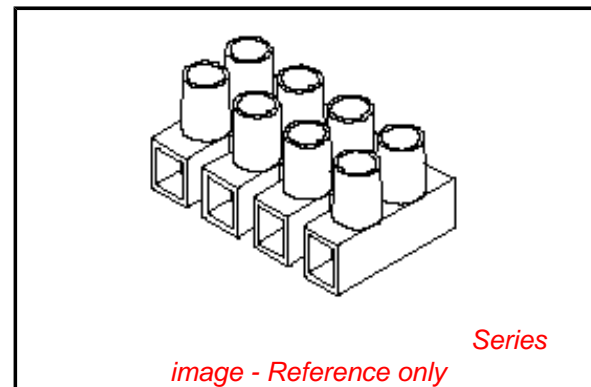
**Electrical**

Current - Maximum per Contact 30A  
 Voltage - Maximum 600V

**Material Info**

**Reference - Drawing Numbers**

Sales Drawing SD-39100-004



**EU RoHS**

**ELV and RoHS  
 Compliant**  
**REACH SVHC**  
 Not Reviewed  
**Halogen-Free  
 Status**  
**Not Reviewed**

**China RoHS**

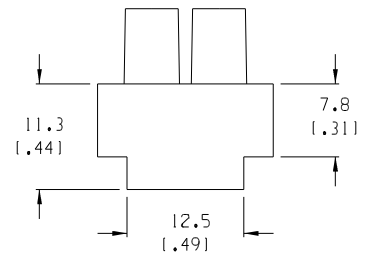
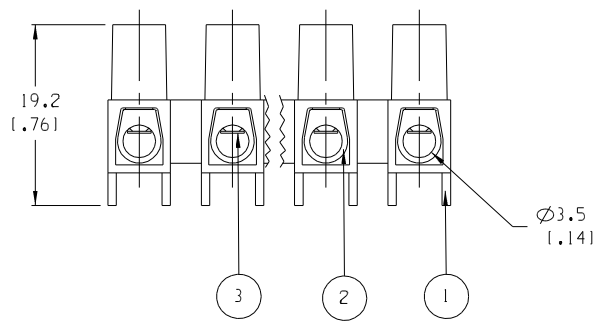
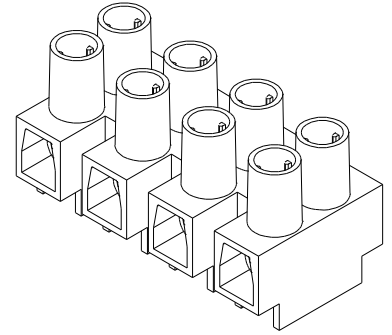
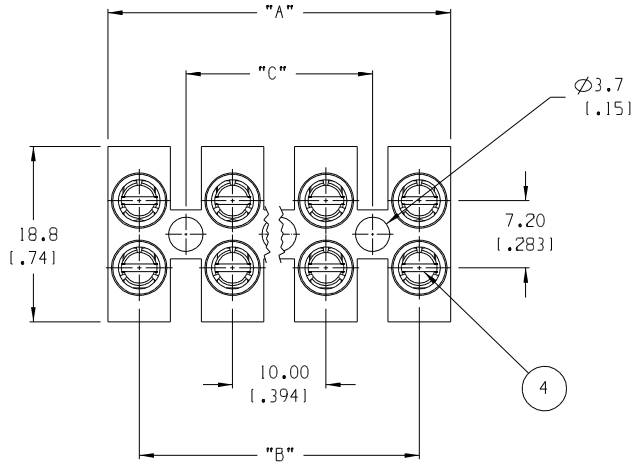


**Need more information on product  
 environmental compliance?**

Email [productcompliance@molex.com](mailto:productcompliance@molex.com)  
 For a multiple part number RoHS Certificate of  
 Compliance, [click here](#)

Please visit the [Contact Us](#) section for any  
 non-product compliance questions.

**Search Parts in this Series**  
[39100Series](#)



NUMBER OF CIRCUITS	"A" DIM.	"B" DIM.	"C" DIM.	MATERIAL NUMBER
01	7,00 [2.761]	N/A	N/A	391001001
02	17,00 [1.6691]	10,00 [1.3941]	N/A	391001002
03	27,00 [1.0631]	20,00 [1.7871]	10,00 [1.3941]	391001003
04	37,00 [1.4571]	30,00 [1.1811]	20,00 [1.7871]	391001004
05	47,00 [1.8501]	40,00 [1.5751]	30,00 [1.1811]	391001005
06	57,00 [2.2441]	50,00 [1.9691]	40,00 [1.5751]	391001006
07	67,00 [2.6381]	60,00 [2.3621]	50,00 [1.9691]	391001007
08	77,00 [3.0311]	70,00 [2.7561]	60,00 [2.3621]	391001008
09	87,00 [3.4251]	80,00 [3.1501]	70,00 [2.7561]	391001009
10	97,00 [3.8191]	90,00 [3.5431]	80,00 [3.1501]	391001010
11	107,00 [4.2131]	100,00 [3.9371]	90,00 [3.5431]	391001011
12	117,00 [4.6061]	110,00 [4.3311]	100,00 [3.9371]	391001012

- NOTES:
1. MATERIAL: SEE TABLE
  2. FINISHES: SEE TABLE
  3. PRODUCT SPECIFICATION: NOT REQUIRED
  4. PACKAGING: NOT REQUIRED
  5. MATES WITH: NONE
  6. "XX" REFERS TO THE NUMBER OF CIRCUITS

ITEM	QTY.	DESCRIPTION	MATERIAL	FINISH
4	XX*2	CLAMPING SCREWS, M3	STEEL	ZINC
3	XX	WIRE PROTECTOR	BRASS	NICKEL
2	XX	TERMINAL	BRASS	NICKEL
1	1	INSULATOR	NYLON 6	CLEAR

EC NO. RELEASED DRWN: JF 09-15-04 CHK: APPR:	QUALITY SYMBOLS MAJOR CRITICAL SPC	GENERAL TOLERANCES: (UNLESS SPECIFIED)		SCALE	DESIGN UNITS	THIRD ANGLE PROJECTION	PROJECT NO.	SHT	REV
		mm	INCH	2:1	<input type="checkbox"/> mm <input checked="" type="checkbox"/> INCH		<input checked="" type="checkbox"/> mm <input type="checkbox"/> INCH <input type="checkbox"/> mm ONLY	-	-
		4 PLACES ±.0015	3 PLACES ±.005	DRAWN BY & DATE	TITLE:		REVISE ON		
		2 PLACES ±.13 ±.01	1 PLACE ±.3	J. FARMER 09-15-04	10MM HIGH PROFILE WITH WIRE PROTECTOR		CAD ONLY		
ANGULAR: ±2°		DRAFT WHERE APPLICABLE MUST REMAIN WITHIN DIMENSIONS		APPROVED BY & DATE		MOLEX INCORPORATED		SHEET NO. 1 OF 1	
A		REV		CAD FILENAME: 39100-10XX		MATERIAL NO. SEE CHART		DRAWING NO. SD-39100-004	
						THIS DRAWING CONTAINS INFORMATION THAT IS PROPRIETARY TO MOLEX INCORPORATED AND SHOULD NOT BE USED WITHOUT WRITTEN PERMISSION.		SIZE B	