

PLEASE CHECK WWW.MOLEX.COM FOR LATEST PART INFORMATION

Part Number: [0586910010](#)
Status: **Active**
Description: HMC™ Rectangular Industrial Panel-Mount Bracket, Multi-Module Type, 36 Circuits, Type A Polarization

Documents:

[3D Model](#) [Product Specification PS-58691-004 \(PDF\)](#)
[Drawing \(PDF\)](#) [RoHS Certificate of Compliance \(PDF\)](#)

Agency Certification

TUV R72081037

General

Product Family I/O Connectors
 Series [58691](#)
 Application Panel-Mount
 Component Type Panel-Mount Bracket
 Product Name HMC™
 Type N/A

Physical

Circuits (Loaded) 36
 Circuits (maximum) 36
 Durability (mating cycles max) 50
 Lock to Mating Part Yes
 Material - Metal Brass
 Material - Plating Mating Copper
 Material - Plating Termination Copper
 Orientation Vertical
 Packaging Type Bag
 Panel Mount Screws
 Pitch - Mating Interface (in) 0.000 In
 Pitch - Mating Interface (mm) 0.00 mm
 Pitch - Term. Interface (in) 0.000 In
 Pitch - Term. Interface (mm) 0.00 mm
 Plating min: Mating (µin) 20
 Plating min: Mating (µm) 0.5
 Plating min: Termination (µin) 20
 Plating min: Termination (µm) 0.5
 Polarized to Mating Part Yes
 Temperature Range - Operating -55°C to +125°C
 Termination Interface: Style Surface Mount
 Waterproof / Dustproof Yes
 Waterproof / Dustproof Type IP65

Electrical

Current - Maximum per Contact 12A
 Voltage - Maximum 250V AC

Material Info

Reference - Drawing Numbers

Product Specification PS-58691-004, RPS-58691-003, RPS-58691-004, RPS-58691-005
 Sales Drawing SD-58691-002

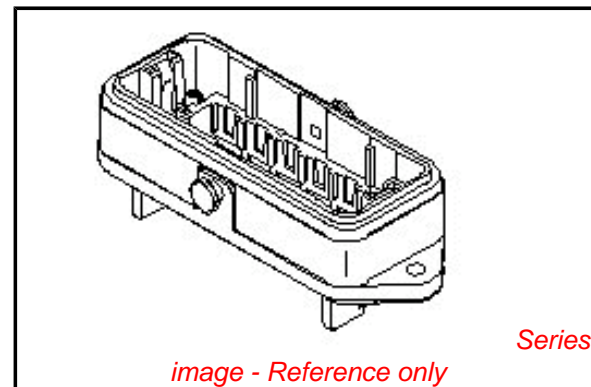


image - Reference only

EU RoHS

RoHS Compliant by Exemption
REACH SVHC
 Not Reviewed
Halogen-Free
Status
Not Reviewed

China RoHS



Pb

Need more information on product environmental compliance?

Email productcompliance@molex.com
 For a multiple part number RoHS Certificate of Compliance, [click here](#)

Please visit the [Contact Us](#) section for any non-product compliance questions.

Search Parts in this Series

[58691Series](#)

Mates With

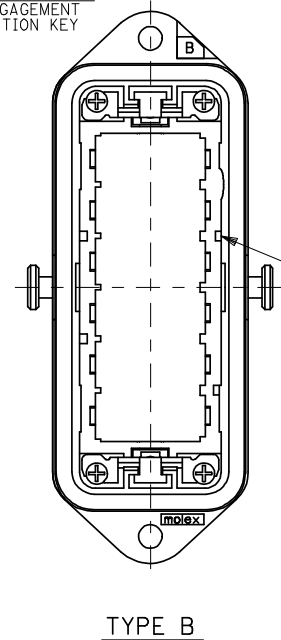
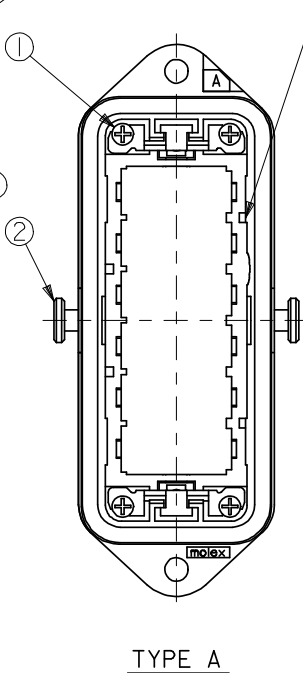
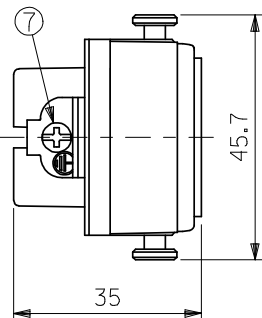
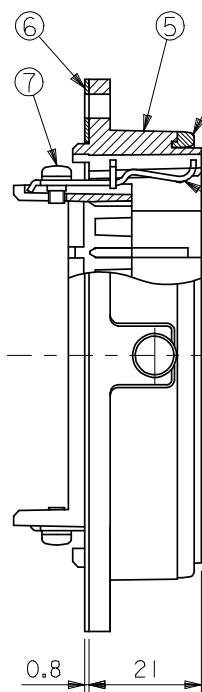
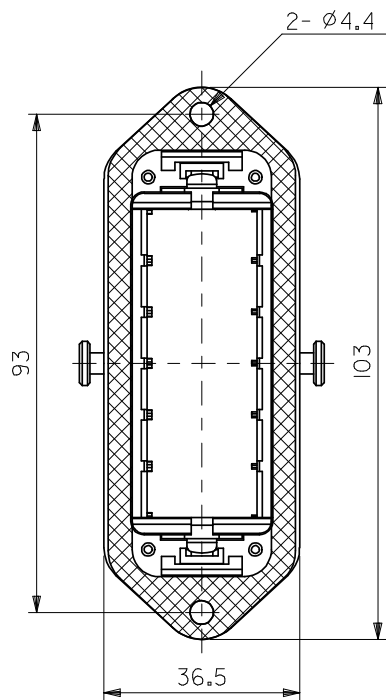
[58687-0010](#) hood bracket, [58696](#) hood

Use With

[51201](#) dust cover, [51192](#) housing, [51193](#) housing

This document was generated on 04/05/2010

PLEASE CHECK WWW.MOLEX.COM FOR LATEST PART INFORMATION



部番 NO.	部品名 PART NAME	数量 QTY.	材質 MATERIAL	記事 ARTICLE
①	M2.5×6 パネ座金付ねじ M2.5X6 SCREW	4	鋼 STEEL	Niメッキ NI PLATING
②	ロックピン LOCKING PIN	2	ステンレス STAINLESS STEEL	—
③	グラウンドターミナル GROUND TERMINAL	2	黄銅 BRASS	Niメッキ NI PLATING
④	ラバー RUBBER	1	ニトリルゴム NBR	—
⑤	リセプタクルシェル RECEPTACLE SHELL	1	アルミニウム合金 ALUMINIUM ALLOY	—
⑥	ガスケット GASKET	1	ニトリルゴム NBR	—
⑦	M3×5 パネ座金付ねじ M3X5 SCREW	2	鋼 STEEL	Niメッキ NI PLATING

注記:
NOTES

1. 適用ハウジング及び適用端子
APPLICABLE HOUSING AND TERMINAL

	適用ハウジング APPLICABLE HOUSING	適用端子 APPLICABLE TERMINAL
ピン ハウジング PIN HOUSING	51192-0600	5558GS** (Au PLATING)
ソケット ハウジング SOCKET HOUSING	51193-0600	5556GS** (Au PLATING)
プラグ ハウジング PLUG HOUSING	503193-0600	503195-****
リセプタクル ハウジング RECEPTACLE HOUSING	503194-0600	503196-****

2. M3ねじ推奨締め付けトルク: 5~6kgf・cm
M3 SCREW RECOMMENDATION TIGHTENING TORQUE: 5~6kgf・cm
3. パネル切り取り寸法はDWG. No. SD-58696-003による。
THE PANEL CUTOUT SIZE IS SHOWN IN SD-58696-003.

B	58691-0020	58691-***0
A	58691-0010	
TYPE	オーダー番号 ORDER No.	MODEL No.

REVISED EC NO: J2008-3396 DRWN: SAKIYAMA 2008/03/25 CHKD: SSAT003 2008/03/26 APPR: SICHIKAWA 2008/03/26	GENERAL TOLERANCES (UNLESS SPECIFIED)	DIMENSION STYLE MM ONLY	SCALE 1:1	DESIGN UNITS METRIC	THIRD ANGLE PROJECTION
	10 UNDER ±0.2	DRAWN BY M. HOSONO	DATE '98/04/15	POWER CONN. 36P RECEPTACLE SHELL ASS'Y	
	10 OVER 30 UNDER ±0.25	CHECKED BY YO. ITO	DATE '98/04/15		
	30 OVER ±0.3	APPROVED BY H. IKESUGI	DATE '98/04/15	MOLEX INCORPORATED	
	ANGULAR ±3 °	MATERIAL NO.	DOCUMENT NO.	SEE CHART	SD-58691-002
DRAFT WHERE APPLICABLE MUST REMAIN WITHIN DIMENSIONS	THIS DRAWING CONTAINS INFORMATION THAT IS PROPRIETARY TO MOLEX INCORPORATED AND SHOULD NOT BE USED WITHOUT WRITTEN PERMISSION				