

MAXIM

Pin Programmable Universal and Bandpass Filters

General Description

The MAX263/264 and MAX267/268 CMOS switched-capacitor active filters are designed for precision filtering applications. Center frequency, Q, and operating mode are all selected via pin-strapped inputs. The MAX263/264 uses no external components for a variety of bandpass, lowpass, highpass, notch and allpass filters. The MAX267/268 is dedicated to bandpass applications and includes an uncommitted op-amp. Two second-order filter sections are included in both devices.

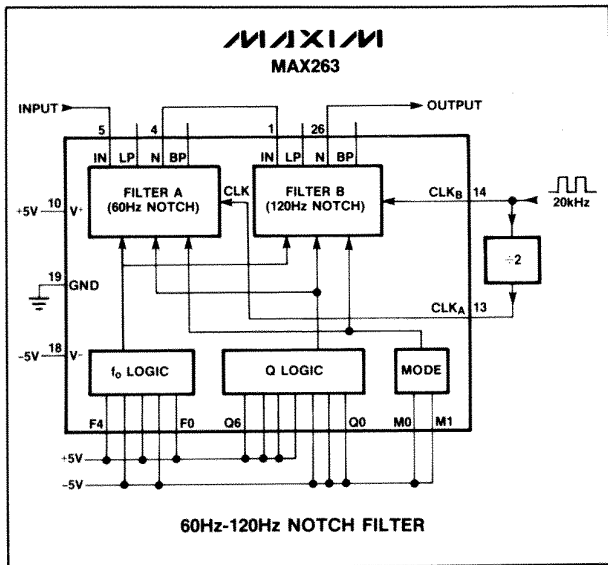
An input clock and a 5-bit programming input precisely set the filter center/corner frequency. Q is also programmed from 0.5 to 64. Separate clock inputs for each filter half operate with either an external clock or a crystal.

The MAX263 and 267 operate with center frequencies up to 57kHz while the MAX264 and 268 extend the f_0 range to 140kHz by employing lower f_{CLK}/f_0 ratios. The MAX263/264 is supplied in 28 pin wide DIP and small outline packages while the MAX267/268 is supplied in 24 pin narrow DIP and wide SO packages. All devices are available in commercial, extended, and military temperature ranges.

Applications

- Sonar and Avionics Instruments
- Anti-Aliasing Filters
- Digital Signal Processing
- Vibration and Audio Analysis
- Matched Tracking Filters

Typical Application



Features

- ◆ Filter Design Software Available
- ◆ 32-Step Center Frequency Control
- ◆ 128-Step Q Control
- ◆ Independent Q and f_0 Programming
- ◆ Guaranteed Clock to f_0 Ratio—1% (A grade)
- ◆ 75kHz f_0 Range (MAX264/268)
- ◆ Single +5V and $\pm 5V$ Operation

Ordering Information

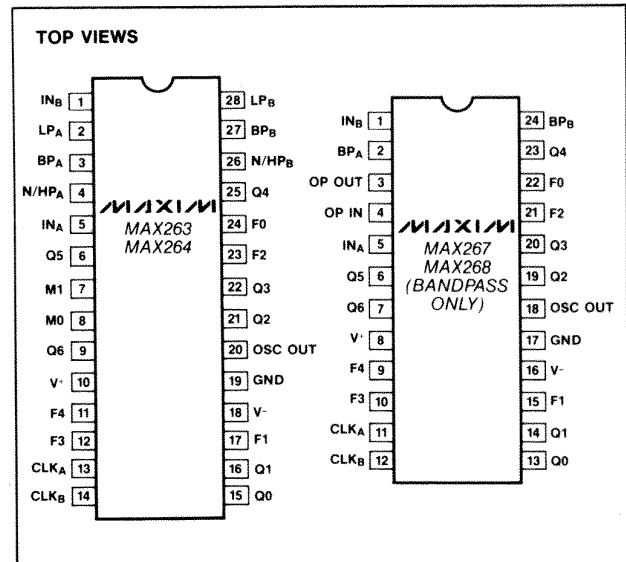
| PART | TEMP. RANGE | PACKAGE* | ACCURACY |
|------------|-----------------|-------------|----------|
| MAX263ACPI | 0°C to +70°C | Plastic DIP | 1% |
| MAX263BCPI | 0°C to +70°C | Plastic DIP | 2% |
| MAX263AEPI | -40°C to +85°C | Plastic DIP | 1% |
| MAX263BEPI | -40°C to +85°C | Plastic DIP | 2% |
| MAX263ACWI | 0°C to +70°C | Wide SO | 1% |
| MAX263BCWI | 0°C to +70°C | Wide SO | 2% |
| MAX263AMJI | -55°C to +125°C | CERDIP | 1% |
| MAX263BMJI | -55°C to +125°C | CERDIP | 2% |
| MAX264ACPI | 0°C to +70°C | Plastic DIP | 1% |
| MAX264BCPI | 0°C to +70°C | Plastic DIP | 2% |

(Ordering Information continued at end of data sheet.)

* MAX263/264 packages are 28-pin 0.6" wide DIP and 28-pin 0.3" wide SO (Small Outline).

MAX267/268 packages are 24-pin 0.3" narrow DIP and 24-pin 0.3" wide SO (Small Outline).

Pin Configuration



MAX263/MAX264/MAX267/MAX268

Pin Programmable Universal and Bandpass Filters

ABSOLUTE MAXIMUM RATINGS

| | |
|--|--|
| Total Supply Voltage (V ⁺ to V ⁻) | 15V |
| Input Voltage, any pin | V ⁻ -0.3V to V ⁺ +0.3V |
| Input Current, any pin | ±50mA |
| Power Dissipation | |
| Plastic DIP (derate 8.33mW/°C above 70°C) | 660mW |
| CERDIP (derate 12.5mW/°C above 70°C) | 1000mW |
| Wide SO (derate 11.8mW/°C above 70°C) | 944mW |

| | |
|--|-----------------|
| Operating Temperature | |
| MAX26XXCXX | 0°C to +70°C |
| MAX26XXEXX | -40°C to +85°C |
| MAX26XXMXX | -55°C to +125°C |
| Storage Temperature | -65°C to +160°C |
| Lead Temperature (Soldering, 10 seconds) | +300°C |

Stresses above those listed under "Absolute Maximum Ratings" may cause permanent damage to the device. These are stress ratings only, and functional operation of the device at these or any other conditions above those indicated in the operational sections of the specification is not implied. Exposure to absolute Maximum ratings conditions for extended periods may affect the device reliability.

ELECTRICAL CHARACTERISTICS

(V⁺ = +5V, V⁻ = -5V, CLK_A = CLK_B = ±5V, 1.5MHz, f_{CLK}/f₀ = 197.92 for MAX263/67 and 138.23 for MAX264/68, Filter Mode 1, "1" = V⁺ and "0" = V⁻ on F and Q inputs, T_A = +25°C unless otherwise noted.)

| PARAMETER | CONDITIONS | | MIN | TYP | MAX | UNITS |
|--|---|--|-----------------------------------|-----|-------|-------------------|
| f ₀ Center Frequency Range | | | See Table 1 | | | |
| Maximum Clock Frequency | | | See Table 1 | | | |
| f _{CLK} /f ₀ Ratio Error (Note 1) | T _A = T _{MIN} to T _{MAX} | MAX26XA MAX26XB | ±0.2 | | ±1.0 | % |
| f ₀ Temperature Coefficient | | | -5 | | | ppm/°C |
| Q Accuracy (deviation from ideal continuous filter) (Note 2) | T _A = T _{MIN} to T _{MAX} Q = 0.5 to 8 Q = 0.5 to 8 Q = 16 to 32 Q = 16 to 32 Q = 64 Q = 64 | MAX26XA MAX26XB MAX26XA MAX26XB MAX26XA MAX26XB | ±1 | | ±6 | % |
| Q Temperature Coefficient | | | ±20 | | | ppm/°C |
| DC Lowpass Gain Accuracy | | MAX263/4 | ±0.1 | | ±0.5 | dB |
| Gain Temperature Coefficient | Lowpass (at D.C.) Bandpass (at f ₀) | | -5 +20 | | | ppm/°C |
| Output Offset Voltage (Note 3) | T _A = T _{MIN} to T _{MAX} , Q = 4 Mode 1 BP Output | MAX263/67A MAX263/67B MAX264/68A MAX264/68B | ±0.05 | | ±0.20 | V |
| | Mode 1 LP,N Outputs | MAX263A MAX263B MAX264A MAX264B | ±0.40 | | ±1.00 | |
| | Mode 3 BP, HP Outputs | MAX263A MAX263B MAX264A MAX264B | ±0.10 | | ±0.30 | |
| | Mode 3 LP Output | MAX263A MAX263B MAX264A MAX264B | ±0.50 | | ±1.10 | |
| Offset Voltage Temperature Coefficient | f _{CLK} /f ₀ = 100.53, Q = 4 T _A = T _{MIN} to T _{MAX} | | ±0.75 | | | mV/°C |
| Clock Feedthrough | | | ±4 | | | mV |
| Crosstalk | | | -70 | | | dB |
| Wideband Noise (Note 4) | Q = 1, 2nd-Order, LP/BP 4th-Order LP 4th-Order BP | | See Typ. Oper. Char. 90 100 | | | μV _{RMS} |

Pin Programmable Universal and Bandpass Filters

MAX263/MAX264/MAX267/MAX268

ELECTRICAL CHARACTERISTICS (Continued)

($V^+ = +5V$, $V^- = -5V$, $CLK_A = CLK_B = \pm 5V$, 1.5MHz, $f_{CLK}/f_0 = 197.92$ for MAX263/67 and 138.23 for MAX264/68, Filter Mode 1, "1" = V^+ and "0" = V^- on F and Q inputs, $T_A = +25^\circ C$ unless otherwise noted.)

| PARAMETER | CONDITIONS | | MIN | TYP | MAX | UNITS |
|----------------------------------|--|------------------------|-------------|--------------|-----------------|------------|
| Harmonic Distortion at f_0 | Q = 4, $V_{IN} = 1.5V_{PP}$ | | | -67 | | dB |
| Supply Voltage Range | $T_A = T_{MIN}$ to T_{MAX} | | ± 2.37 | ± 5 | ± 6.3 | V |
| Power Supply Current (Note 5) | $T_A = T_{MIN}$ to T_{MAX} | MAX263/67 MAX264/68 | | 14 14 | 20 20 | mA |
| Shutdown Supply Current (Note 5) | Q0-Q6 = all 0 | | | 2.5 | | mA |
| f_0 , Q Programming Inputs | $T_A = T_{MIN}$ to T_{MAX} , F0-F4, Q0-Q6 High Threshold Low Threshold | | $V^+ - 0.5$ | | $V^- + 0.5$ | V |
| Clock Inputs | $T_A = T_{MIN}$ to T_{MAX} , CLK_A , CLK_B High Threshold Low Threshold | | 2.4 | | 0.8 | V |
| Input Leakage Current | $T_A = T_{MIN}$ to T_{MAX} $CLK_B = V^+$ or V^- $CLK_A = V^+$ or V^- M0, M1, F0-F4, Q0-Q6 = $V^+ - 0.5V$ or $V^- + 0.5V$ M0, M1, F0-F4, Q0-Q6 = V^+ or V^- | | | 6 20 5 | 10 60 200 | μA |
| INTERNAL AMPLIFIERS | | | | | | |
| Output Signal Swing | $T_A = T_{MIN}$ to T_{MAX} , 10k Ω load | | | ± 4.75 | | V |
| Output Short Circuit Current | Source Sink | | | 50 2 | | mA |
| Power Supply Rejection Ratio | 0Hz to 10kHz | | | -70 | | dB |
| Gain Bandwidth Product | | | | 2.5 | | MHz |
| Slew Rate | | | | 6 | | V/ μs |

ELECTRICAL CHARACTERISTICS (for $V_{\pm} = \pm 2.5V \pm 5\%$)

($V^+ = +2.37V$, $V^- = -2.37V$, $CLK_A = CLK_B = \pm 2.5V$ 1MHz $f_{CLK}/f_0 = 197.92$ for the MAX263/67 and 138.23 for MAX264/68, Filter Mode 1, $T_A = +25^\circ C$ unless otherwise noted.)

| PARAMETER | CONDITIONS | | MIN | TYP | MAX | UNITS |
|--|---|--|-----|--|--|-------|
| f_0 Center Frequency Range | | | | (Note 6) | | |
| Maximum Clock Frequency | | | | (Note 6) | | |
| f_{CLK}/f_0 Ratio Error (Notes 1, 7) | Q = 8 | MAX26XA MAX26XB | | ± 0.1 ± 0.1 | ± 1 ± 2 | % |
| Q Accuracy (deviation from ideal continuous filter) (Notes 2, 7) | Q = 8 $f_{CLK}/f_0 = 197.92$ $f_{CLK}/f_0 = 138.23$ | MAX263/67A MAX263/67B MAX264/68A MAX264/68B | | ± 2 ± 2 ± 2 ± 2 | ± 6 ± 10 ± 6 ± 10 | % |
| Output Signal Swing | All Outputs | | | ± 2 | | V |
| Power Supply Current | | | | 7 | | mA |
| Shutdown Current | | | | 0.45 | | mA |

Note 1: f_{CLK}/f_0 accuracy is tested at 197.92 on the MAX263/67, and at 138.23 on the MAX264/68.

Note 2: Q accuracy tested at Q = 8, 32, and 64. Q of 32 and 64 tested at 1/2 stated clock frequency.

Note 3: The Offset Voltage is specified for the entire filter. Offset is virtually independent of Q and f_{CLK}/f_0 ratio setting. The test clock frequency for Mode 3 is 750kHz.

Note 4: Output noise is measured with an RC output smoothing filter at $4 \times f_0$ to remove clock feedthrough.

Note 5: TTL logic levels are: HIGH = 2.4V, LOW = 0.8V. Power supply current is typically 4mA higher with TTL clock input levels.

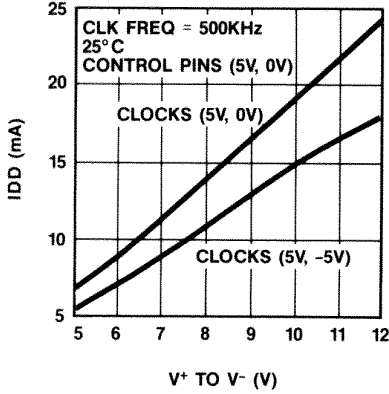
Note 6: At $\pm 2.5V$ supplies, the f_0 range and maximum clock frequency are typically 75% of values listed in Table 1.

Note 7: f_{CLK}/f_0 and Q accuracy are a function of the accuracy of internal capacitor ratios. No increase in error is expected at $\pm 2.5V$ as compared to $\pm 5V$, however these parameters are only tested to the extent indicated by the MIN or MAX limits.

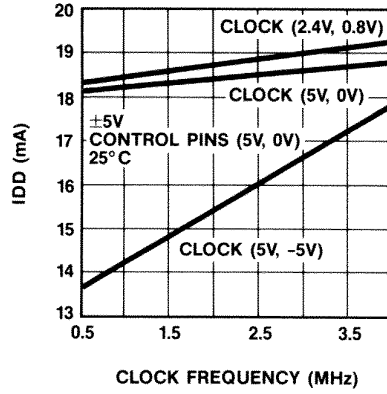
Pin Programmable Universal and Bandpass Filters

Typical Operating Characteristics

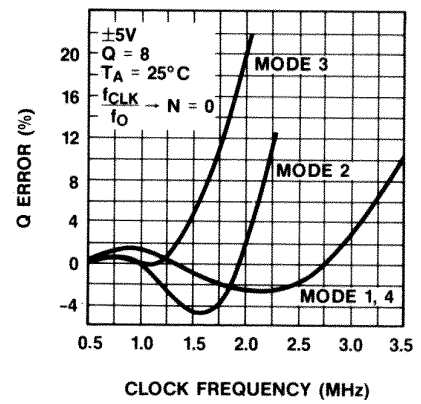
IDD vs POWER SUPPLY VOLTAGE



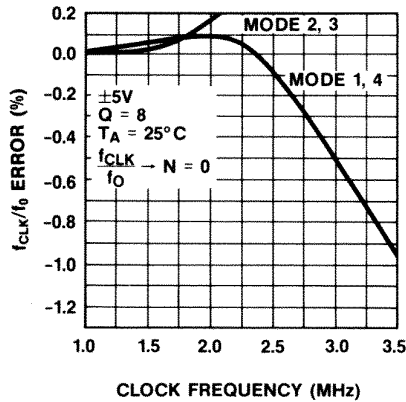
IDD vs CLOCK FREQUENCY



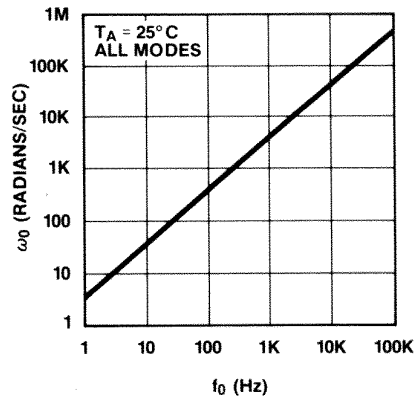
Q vs CLOCK FREQUENCY



f_{CLK}/f₀ vs CLOCK FREQUENCY



ω₀ vs f₀



Wideband RMS Noise (db ref. to 2.47V_{RMS}, 7V_{p-p}), ±5V Operation

| Mode | Q = 1 | | | Q = 8 | | | Q = 64 | | |
|------|-------|-----|---------|-------|-----|---------|--------|-----|---------|
| | LP | BP | HP/AP/N | LP | BP | HP/AP/N | LP | BP | HP/AP/N |
| 1 | -84 | -90 | -84 | -80 | -82 | -85 | -72 | -73 | -85 |
| 2 | -88 | -90 | -88 | -84 | -82 | -84 | -77 | -73 | -76 |
| 3 | -84 | -90 | -88 | -80 | -82 | -82 | -73 | -73 | -74 |
| 4 | -83 | -89 | -84 | -79 | -81 | -85 | -71 | -73 | -85 |

Notes:

- f_{CLK} = 1MHz
- f_{CLK}/f₀ ratio programmed at N = 31 (see Table 2)
- Clock feedthrough is removed with an RC lowpass at 4f₀, i.e. R = 3.9kΩ, C = 2000pF for MAX263.

Noise Spectral Distribution

(MAX263/67, f_{CLK} = 1 MHz, dB ref. to 2.47V_{RMS}, 7V_{p-p})

| Measurement Bandwidth | Q=1 | Q=8 | Q=64 |
|-----------------------|-----|-----|------|
| Wideband | -84 | -80 | -72 |
| 3kHz | -87 | -87 | -86 |
| C Message Weighted | -93 | -93 | -93 |

Pin Programmable Universal and Bandpass Filters

Pin Description

MAX263/MAX264/MAX267/MAX268

| MAX263 MAX264 PIN # | MAX267 MAX268 PIN # | NAME | FUNCTION |
|------------------------------|------------------------------|-----------------------------------|---|
| 10 | 8 | V ⁺ | Positive supply voltage |
| 18 | 16 | V ⁻ | Negative supply voltage |
| 19 | 17 | GND | Analog Ground. Connect to the system ground for dual supply operation or mid-supply for single supply operation. GND should be well bypassed in single supply applications. |
| 13 | 11 | CLK _A | Input to the oscillator and clock input to section A. This clock is internally divided by 2. |
| 14 | 12 | CLK _B | Clock input to filter B. This clock is internally divided by 2. |
| 20 | 18 | OSC OUT | Connects to crystal for self clocked operation |
| 5, 1 | 5, 1 | IN _A , IN _B | Filter inputs |
| 3, 27 | 2, 24 | BP _A , BP _B | Bandpass outputs |
| 2, 28 | | LP _A , LP _B | Lowpass outputs (MAX263/264 only) |
| 4, 26 | | HP _A , HP _B | Highpass/Notch/Allpass outputs (MAX263/264 only) |
| 8, 7 | | M0, M1 | Mode select inputs (MAX267/268 are fixed in Mode 1) |
| 24, 17, 23 12, 11 | 22, 15, 21 10, 9 | F0-F4 | Clock/center frequency ratio (f_{CLK}/f_0) programming inputs |
| 15, 16, 21 22, 25, 6 9 | 13, 14, 19 20, 23, 6 7 | Q0-Q6 | Q programming inputs |
| | 4 | OP IN | Inverting input of uncommitted op-amp on MAX267/268 only. Noninverting input is internally connected to ground. |
| | 3 | OP OUT | Output of uncommitted op-amp on MAX267/268 only. |

Pin Programmable Universal and Bandpass Filters

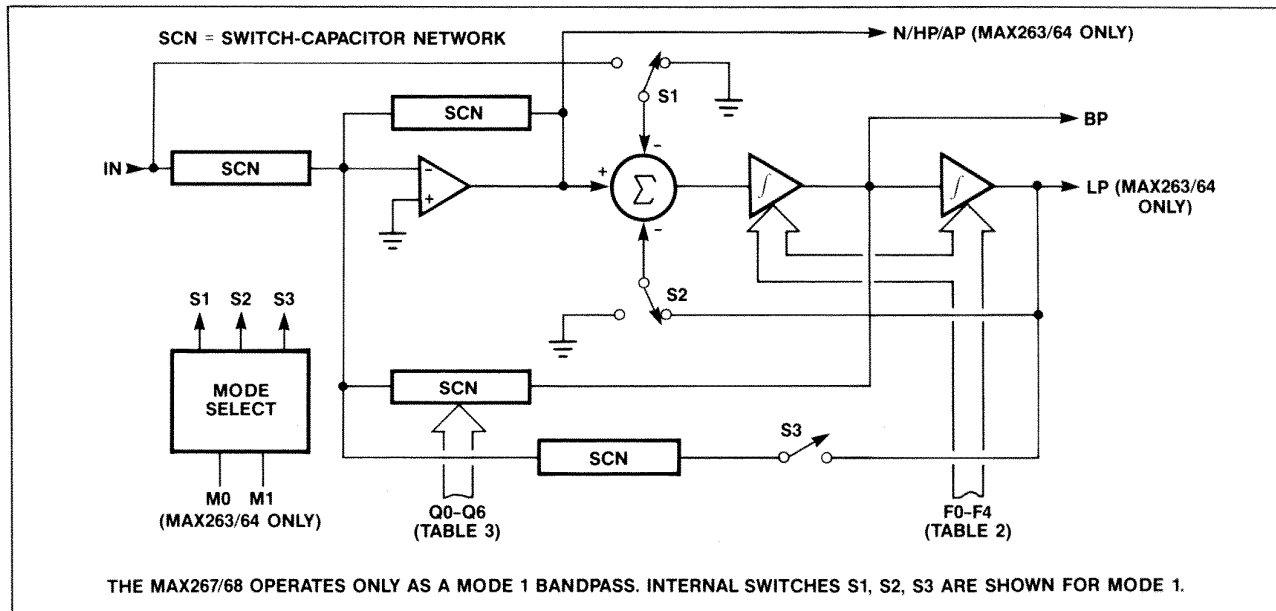


Figure 1. Filter Block Diagram (One Second-Order Section)

Introduction

Each MAX26X device contains two second-order filters. In Figure 1, a block diagram of the state variable topology employed in one filter section shows how on-chip switched capacitor networks provide adjustable feedback to control f_0 and Q . Shared programming inputs require that both halves of the filter be set for the same f_{CLK}/f_0 ratio and Q . In the MAX263 and MAX264 universal filters, switches S1-S3 are controlled by inputs M0 and M1 to set the filter operating mode. The MAX267/68 bandpass filter operates only in Mode 1.

The MAX264/68 uses a lower range of sampling (f_{CLK}/f_0) ratios than the MAX263/67 to allow higher signal bandwidths and a wider programming range. The reduced f_{CLK}/f_0 ratios result in somewhat more deviation from ideal continuous filter parameters than with the MAX263/67, however these differences can be compensated using Figure 17 (See "Applications Hints") or Maxim's filter design software.

The second-order sections in the MAX263/64/67/68 are identical and may be used as matched dual tracking filters, or can be cascaded to form higher-order filters. They can also be combined with external resistors and amplifiers for multiple feedback all-pole bandpass filters.

In all MAX26X series filters, the internal sample rate is one half the input clock rate (CLK_A or CLK_B) due to an internal division by two. All clock related data, tables, and other discussions in this data sheet refer to the frequency at the CLK_A or CLK_B input, i.e. twice the internal sample rate, unless specifically stated otherwise.

Quick Look Design Procedure

MAX26X series filters, with Maxim's filter design software, greatly simplify the design procedure for many active filters. Most designs can be realized using the steps in this section. If the filter software is not used, or if the complexity is beyond the scope of this section, refer to the remainder of this data sheet for more detailed application information.

Step 1—Filter Design

Starting with the design program "PZ", determine what type of filter is needed. PZ helps determine the type (Butterworth, Chebyshev, etc.) and the number of poles for the optimum choice. The program also plots the frequency response and calculates the pole/zero (f_0) and Q values for each second-order section. Each MAX26X contains two such sections and devices may be cascaded for higher order filters.

An alternate technique for bandpass filters uses multiple feedback (see Figure 13). If this is employed, the filter design program "BP" should be used instead of PZ and Step 2 is not used.

Step 2—Generate Programming Coefficients

If multiple feedback is not used, start with the f_0 and Q values obtained with PZ in Step 1 and use the program "MPP" to generate the digital program codes for f_{CLK}/f_0 and Q . MPP displays "N" values for f_0 and Q where N is the decimal equivalent of the binary pin-program codes. These are listed in Tables 2 and 3.

Pin Programmable Universal and Bandpass Filters

MAX263/MAX264/MAX267/MAX268

An input clock and filter "Mode" must also be selected in this step, however, if a specific clock rate is not selected, "MPP" will pick one. With regard to mode selection, Mode 1 (only possible mode for MAX267/68) is the most convenient choice for most bandpass and lowpass filters except for elliptics which require Mode 3. Highpass filters also use Mode 3, while allpass filters require Mode 4. For details regarding mode selection see "Filter Operating Modes". When a clock frequency (or frequencies) is selected and the programming codes for f_{CLK}/f_0 and Q are determined, the filter can then be programmed and operated.

Filter Design Software

Maxim provides software programs to help speed the transition from frequency response design requirements to working hardware. A series of programs are available, including:

Program PZ. Given the requirements, such as center frequency, Q, passband ripple, and stopband attenuation, PZ will calculate the pole frequencies, Q's, zeros, and the number of stages needed.

Program MPP. For programmed filters, MPP computes the input codes to use and describes the expected performance of the design.

Program BP. In the special case of bandpass filters, an alternate mode of operation is the "Multiple Feedback Technique". BP calculates the resistor values and the bandpass frequency response for this mode. An advantage of multiple feedback is that identical

programming and one clock frequency can be used for all stages.

Program FR. When a design of one or more stages is completed, FR checks the final cascaded assembly. The output frequency response can be compared with that expected from PZ.

Detailed Description

f_0 and Q Programming

Figure 2 shows a block diagram of a complete filter. Each 2nd-order filter section has its own clock input, however, package pin limitations require that f_0 , Q, and Mode control be shared by both sections. The actual center frequency is a function of the filter's clock rate, 5-bit f_0 control word (see Table 2), and operating Mode.

For some filter designs, the MAX263/64/67/68 may require separate clocks for each second-order section since separate programming inputs are not provided. Such designs may be implemented with different clock inputs, or, in the case of bandpass filters, by using multiple feedback and one clock (see "Description of Filter Functions"). When implementing two or more matched filters, however, the programming restrictions are easily overcome and one clock can still be used as demonstrated by the design example in Figure 21. Another alternative is to use the MAX260/261/262 microprocessor programmed filters or the MAX265/266 resistor programmed filters which allow independent programming of each filter section. Refer to the device data sheets for further details on those products.

Pin Programmable Universal and Bandpass Filters

Table 1. Typical Clock and Center Frequency Limits (MAX267/268 are operated in Mode 1 only.)

| PART | Q | MODE | f_{CLK} | f_0 | |
|----------------|----------------|-------------|-------------|-------------|--------------|
| MAX263/ 267 | 1 | 1 | 40Hz-4.0MHz | 0.4Hz-40kHz | |
| | 1 | 2 | 40Hz-4.0MHz | 0.5Hz-57kHz | |
| | 1 | 3 | 40Hz-4.0MHz | 0.4Hz-40kHz | |
| | 1 | 4 | 40Hz-4.0MHz | 0.4Hz-40kHz | |
| | 8 | 1 | 40Hz-2.7MHz | 0.4Hz-27kHz | |
| | 8 | 2 | 40Hz-2.1MHz | 0.5Hz-30kHz | |
| | 8 | 3 | 40Hz-1.7MHz | 0.4Hz-17kHz | |
| | 8 | 4 | 40Hz-2.7MHz | 0.4Hz-27kHz | |
| | 64 | 1 | 40Hz-2.0MHz | 0.4Hz-20kHz | |
| | 90 | 2 | 40Hz-1.2MHz | 0.4Hz-18kHz | |
| | 64 | 3 | 40Hz-1.2MHz | 0.4Hz-12kHz | |
| | 64 | 4 | 40Hz-2.0MHz | 0.4Hz-20kHz | |
| | MAX264/ 268 | 1 | 1 | 40Hz-4.0MHz | 1.0Hz-100kHz |
| | | 1 | 2 | 40Hz-4.0MHz | 1.4Hz-140kHz |
| | | 1 | 3 | 40Hz-4.0MHz | 1.0Hz-100kHz |
| | | 1 | 4 | 40Hz-4.0MHz | 1.0Hz-100kHz |
| 8 | | 1 | 40Hz-2.5MHz | 1.0Hz-60kHz | |
| 8 | | 2 | 40Hz-1.4MHz | 1.4Hz-50kHz | |
| 8 | | 3 | 40Hz-1.4MHz | 1.0Hz-35kHz | |
| 8 | | 4 | 40Hz-2.5MHz | 1.0Hz-60kHz | |
| 64 | 1 | 40Hz-1.5MHz | 1.0Hz-37kHz | | |
| 90 | 2 | 40Hz-0.9MHz | 1.4Hz-32kHz | | |
| 64 | 3 | 40Hz-0.9MHz | 1.0Hz-22kHz | | |
| 64 | 4 | 40Hz-1.5MHz | 1.0Hz-37kHz | | |

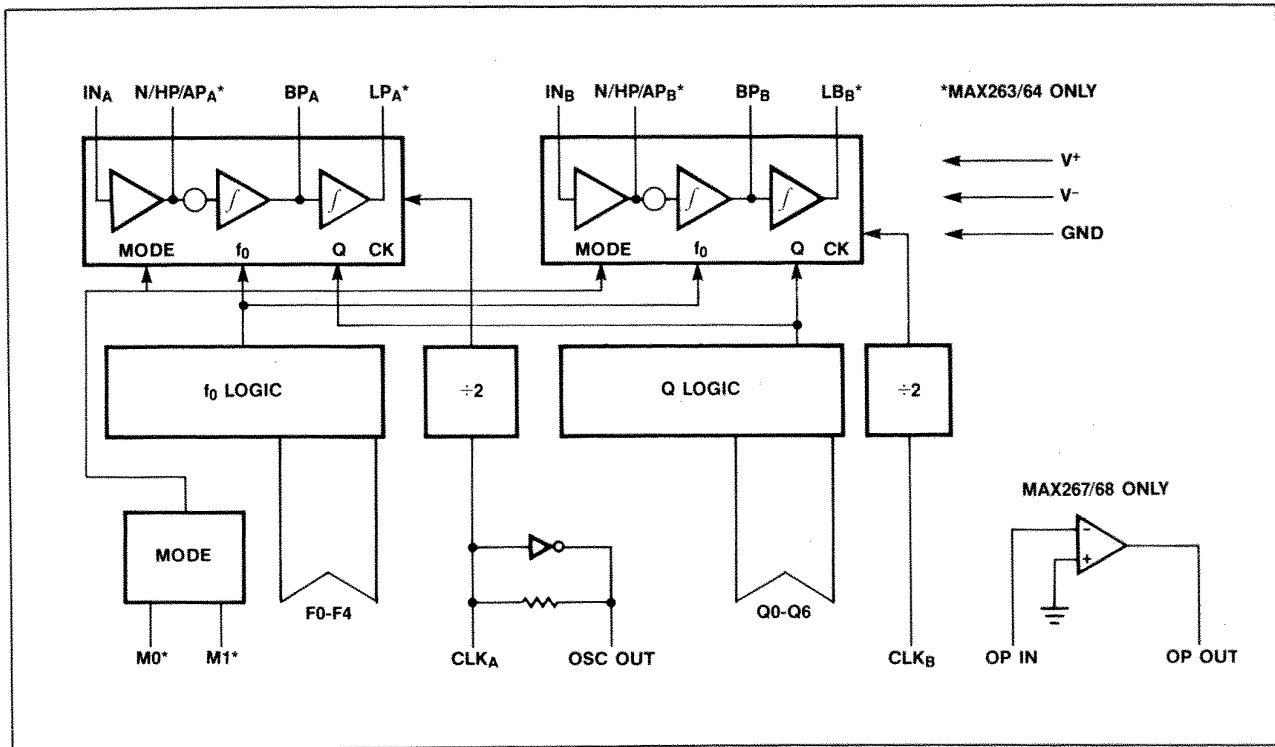


Figure 2. MAX263/264/267/268 Block Diagram

Pin Programmable Universal and Bandpass Filters

MAX263/MAX264/MAX267/MAX268

Table 2. f_{CLK}/f_0 Program Selection Table

| f_{CLK}/f_0 RATIO | | | | PROGRAM CODE | | | | | |
|---------------------|--------|------------|--------|--------------|----|----|----|----|----|
| MAX263/67 | | MAX264/68 | | N | F4 | F3 | F2 | F1 | F0 |
| MODE 1,3,4 | MODE 2 | MODE 1,3,4 | MODE 2 | | | | | | |
| 100.53 | 71.09 | 40.84 | 28.88 | 0 | 0 | 0 | 0 | 0 | 0 |
| 103.67 | 73.31 | 43.98 | 31.10 | 1 | 0 | 0 | 0 | 0 | 1 |
| 106.81 | 75.53 | 47.12 | 33.32 | 2 | 0 | 0 | 0 | 1 | 0 |
| 109.96 | 77.75 | 50.27 | 35.54 | 3 | 0 | 0 | 0 | 1 | 1 |
| 113.10 | 79.97 | 53.41 | 37.76 | 4 | 0 | 0 | 1 | 0 | 0 |
| 116.24 | 82.19 | 56.55 | 39.99 | 5 | 0 | 0 | 1 | 0 | 1 |
| 119.38 | 84.42 | 59.69 | 42.21 | 6 | 0 | 0 | 1 | 1 | 0 |
| 122.52 | 86.64 | 62.83 | 44.43 | 7 | 0 | 0 | 1 | 1 | 1 |
| 125.66 | 88.86 | 65.97 | 46.65 | 8 | 0 | 1 | 0 | 0 | 0 |
| 128.81 | 91.80 | 69.12 | 48.87 | 9 | 0 | 1 | 0 | 0 | 1 |
| 131.95 | 93.30 | 72.26 | 51.10 | 10 | 0 | 1 | 0 | 1 | 0 |
| 135.08 | 95.52 | 75.40 | 53.31 | 11 | 0 | 1 | 0 | 1 | 1 |
| 138.23 | 97.74 | 78.53 | 55.54 | 12 | 0 | 1 | 1 | 0 | 0 |
| 141.37 | 99.97 | 81.68 | 57.76 | 13 | 0 | 1 | 1 | 0 | 1 |
| 144.51 | 102.89 | 84.82 | 59.98 | 14 | 0 | 1 | 1 | 1 | 0 |
| 147.65 | 104.41 | 87.96 | 62.20 | 15 | 0 | 1 | 1 | 1 | 1 |
| 150.80 | 106.63 | 91.11 | 64.42 | 16 | 1 | 0 | 0 | 0 | 0 |
| 153.98 | 108.85 | 94.25 | 66.64 | 17 | 1 | 0 | 0 | 0 | 1 |
| 157.08 | 111.07 | 97.39 | 68.86 | 18 | 1 | 0 | 0 | 1 | 0 |
| 160.22 | 113.29 | 100.53 | 71.09 | 19 | 1 | 0 | 0 | 1 | 1 |
| 163.36 | 115.52 | 102.67 | 73.31 | 20 | 1 | 0 | 1 | 0 | 0 |
| 166.50 | 117.74 | 106.81 | 75.53 | 21 | 1 | 0 | 1 | 0 | 1 |
| 169.65 | 119.96 | 109.96 | 77.75 | 22 | 1 | 0 | 1 | 1 | 0 |
| 172.79 | 122.18 | 113.10 | 79.97 | 23 | 1 | 0 | 1 | 1 | 1 |
| 175.93 | 124.40 | 116.24 | 82.19 | 24 | 1 | 1 | 0 | 0 | 0 |
| 179.07 | 126.62 | 119.38 | 84.81 | 25 | 1 | 1 | 0 | 0 | 1 |
| 182.21 | 128.84 | 122.52 | 86.64 | 26 | 1 | 1 | 0 | 1 | 0 |
| 185.35 | 131.07 | 125.66 | 88.86 | 27 | 1 | 1 | 0 | 1 | 1 |
| 188.49 | 133.29 | 128.81 | 91.08 | 28 | 1 | 1 | 1 | 0 | 0 |
| 191.64 | 135.51 | 131.95 | 93.30 | 29 | 1 | 1 | 1 | 0 | 1 |
| 194.78 | 137.73 | 135.09 | 95.52 | 30 | 1 | 1 | 1 | 1 | 0 |
| 197.92 | 139.95 | 138.23 | 97.74 | 31 | 1 | 1 | 1 | 1 | 1 |

- Notes:** 1) For the MAX263/67, $f_{CLK}/f_0 = \pi(N+32)$ in Mode 1, 3, and 4, where N varies from 0 to 31.
 2) For the MAX264/68, $f_{CLK}/f_0 = \pi(N+13)$ in Mode 1, 3, and 4, where N varies 0 to 31.
 3) In Mode 2, all f_{CLK}/f_0 ratios are divided by $\sqrt{2}$.

Pin Programmable Universal and Bandpass Filters

Table 3. Q Program Selection Table (Continued on following page)

| PROGRAMMED Q | | PROGRAM CODE | | | | | | | |
|--------------|--------|--------------|----|----|----|----|----|----|----|
| MODE 1,3,4 | MODE 2 | N | Q6 | Q5 | Q4 | Q3 | Q2 | Q1 | Q0 |
| Note 4 | Note 4 | 0 | 0 | 0 | 0 | 0 | 0 | 0 | 0 |
| 0.504 | 0.713 | 1 | 0 | 0 | 0 | 0 | 0 | 0 | 1 |
| 0.508 | 0.718 | 2 | 0 | 0 | 0 | 0 | 0 | 1 | 0 |
| 0.512 | 0.724 | 3 | 0 | 0 | 0 | 0 | 0 | 1 | 1 |
| 0.516 | 0.730 | 4 | 0 | 0 | 0 | 0 | 1 | 0 | 0 |
| 0.520 | 0.736 | 5 | 0 | 0 | 0 | 0 | 1 | 0 | 1 |
| 0.525 | 0.742 | 6 | 0 | 0 | 0 | 0 | 1 | 1 | 0 |
| 0.529 | 0.748 | 7 | 0 | 0 | 0 | 0 | 1 | 1 | 1 |
| 0.533 | 0.754 | 8 | 0 | 0 | 0 | 1 | 0 | 0 | 0 |
| 0.538 | 0.761 | 9 | 0 | 0 | 0 | 1 | 0 | 0 | 1 |
| 0.542 | 0.767 | 10 | 0 | 0 | 0 | 1 | 0 | 1 | 0 |
| 0.547 | 0.774 | 11 | 0 | 0 | 0 | 1 | 0 | 1 | 1 |
| 0.552 | 0.780 | 12 | 0 | 0 | 0 | 1 | 1 | 0 | 0 |
| 0.556 | 0.787 | 13 | 0 | 0 | 0 | 1 | 1 | 0 | 1 |
| 0.561 | 0.794 | 14 | 0 | 0 | 0 | 1 | 1 | 1 | 0 |
| 0.566 | 0.801 | 15 | 0 | 0 | 0 | 1 | 1 | 1 | 1 |
| 0.571 | 0.808 | 16 | 0 | 0 | 1 | 0 | 0 | 0 | 0 |
| 0.577 | 0.815 | 17 | 0 | 0 | 1 | 0 | 0 | 0 | 1 |
| 0.582 | 0.823 | 18 | 0 | 0 | 1 | 0 | 0 | 1 | 0 |
| 0.587 | 0.830 | 19 | 0 | 0 | 1 | 0 | 0 | 1 | 1 |
| 0.593 | 0.838 | 20 | 0 | 0 | 1 | 0 | 1 | 0 | 0 |
| 0.598 | 0.846 | 21 | 0 | 0 | 1 | 0 | 1 | 0 | 1 |
| 0.604 | 0.854 | 22 | 0 | 0 | 1 | 0 | 1 | 1 | 0 |
| 0.609 | 0.862 | 23 | 0 | 0 | 1 | 0 | 1 | 1 | 1 |
| 0.615 | 0.870 | 24 | 0 | 0 | 1 | 1 | 0 | 0 | 0 |
| 0.621 | 0.879 | 25 | 0 | 0 | 1 | 1 | 0 | 0 | 1 |
| 0.627 | 0.887 | 26 | 0 | 0 | 1 | 1 | 0 | 1 | 0 |
| 0.634 | 0.896 | 27 | 0 | 0 | 1 | 1 | 0 | 1 | 1 |
| 0.640 | 0.905 | 28 | 0 | 0 | 1 | 1 | 1 | 0 | 0 |
| 0.646 | 0.914 | 29 | 0 | 0 | 1 | 1 | 1 | 0 | 1 |
| 0.653 | 0.924 | 30 | 0 | 0 | 1 | 1 | 1 | 1 | 0 |
| 0.660 | 0.933 | 31 | 0 | 0 | 1 | 1 | 1 | 1 | 1 |
| 0.667 | 0.943 | 32 | 0 | 1 | 0 | 0 | 0 | 0 | 0 |
| 0.674 | 0.953 | 33 | 0 | 1 | 0 | 0 | 0 | 0 | 1 |
| 0.681 | 0.963 | 34 | 0 | 1 | 0 | 0 | 0 | 1 | 0 |
| 0.688 | 0.973 | 35 | 0 | 1 | 0 | 0 | 0 | 1 | 1 |
| 0.696 | 0.984 | 36 | 0 | 1 | 0 | 0 | 1 | 0 | 0 |
| 0.703 | 0.995 | 37 | 0 | 1 | 0 | 0 | 1 | 0 | 1 |
| 0.711 | 1.01 | 38 | 0 | 1 | 0 | 0 | 1 | 1 | 0 |
| 0.719 | 1.02 | 39 | 0 | 1 | 0 | 0 | 1 | 1 | 1 |
| 0.727 | 1.03 | 40 | 0 | 1 | 0 | 1 | 0 | 0 | 0 |
| 0.736 | 1.04 | 41 | 0 | 1 | 0 | 1 | 0 | 0 | 1 |
| 0.744 | 1.05 | 42 | 0 | 1 | 0 | 1 | 0 | 1 | 0 |
| 0.753 | 1.06 | 43 | 0 | 1 | 0 | 1 | 0 | 1 | 1 |
| 0.762 | 1.08 | 44 | 0 | 1 | 0 | 1 | 1 | 0 | 0 |
| 0.771 | 1.09 | 45 | 0 | 1 | 0 | 1 | 1 | 0 | 1 |
| 0.780 | 1.10 | 46 | 0 | 1 | 0 | 1 | 1 | 1 | 0 |
| 0.790 | 1.12 | 47 | 0 | 1 | 0 | 1 | 1 | 1 | 1 |

| PROGRAMMED Q | | PROGRAM CODE | | | | | | | |
|--------------|--------|--------------|----|----|----|----|----|----|----|
| MODE 1,3,4 | MODE 2 | N | Q6 | Q5 | Q4 | Q3 | Q2 | Q1 | Q0 |
| 0.800 | 1.13 | 48 | 0 | 1 | 1 | 0 | 0 | 0 | 0 |
| 0.810 | 1.15 | 49 | 0 | 1 | 1 | 0 | 0 | 0 | 1 |
| 0.821 | 1.16 | 50 | 0 | 1 | 1 | 0 | 0 | 1 | 0 |
| 0.831 | 1.18 | 51 | 0 | 1 | 1 | 0 | 0 | 1 | 1 |
| 0.842 | 1.19 | 52 | 0 | 1 | 1 | 0 | 1 | 0 | 0 |
| 0.853 | 1.21 | 53 | 0 | 1 | 1 | 0 | 1 | 0 | 1 |
| 0.865 | 1.22 | 54 | 0 | 1 | 1 | 0 | 1 | 1 | 0 |
| 0.877 | 1.24 | 55 | 0 | 1 | 1 | 0 | 1 | 1 | 1 |
| 0.889 | 1.26 | 56 | 0 | 1 | 1 | 1 | 0 | 0 | 0 |
| 0.901 | 1.27 | 57 | 0 | 1 | 1 | 1 | 0 | 0 | 1 |
| 0.914 | 1.29 | 58 | 0 | 1 | 1 | 1 | 0 | 1 | 0 |
| 0.928 | 1.31 | 59 | 0 | 1 | 1 | 1 | 0 | 1 | 1 |
| 0.941 | 1.33 | 60 | 0 | 1 | 1 | 1 | 1 | 0 | 0 |
| 0.955 | 1.35 | 61 | 0 | 1 | 1 | 1 | 1 | 0 | 1 |
| 0.969 | 1.37 | 62 | 0 | 1 | 1 | 1 | 1 | 1 | 0 |
| 0.985 | 1.39 | 63 | 0 | 1 | 1 | 1 | 1 | 1 | 1 |
| 1.00 | 1.41 | 64 | 1 | 0 | 0 | 0 | 0 | 0 | 0 |
| 1.02 | 1.44 | 65 | 1 | 0 | 0 | 0 | 0 | 0 | 1 |
| 1.03 | 1.46 | 66 | 1 | 0 | 0 | 0 | 0 | 1 | 0 |
| 1.05 | 1.48 | 67 | 1 | 0 | 0 | 0 | 0 | 1 | 1 |
| 1.07 | 1.51 | 68 | 1 | 0 | 0 | 0 | 1 | 0 | 0 |
| 1.08 | 1.53 | 69 | 1 | 0 | 0 | 0 | 1 | 0 | 1 |
| 1.10 | 1.56 | 70 | 1 | 0 | 0 | 0 | 1 | 1 | 0 |
| 1.12 | 1.59 | 71 | 1 | 0 | 0 | 0 | 1 | 1 | 1 |
| 1.14 | 1.62 | 72 | 1 | 0 | 0 | 1 | 0 | 0 | 0 |
| 1.16 | 1.65 | 73 | 1 | 0 | 0 | 1 | 0 | 0 | 1 |
| 1.19 | 1.68 | 74 | 1 | 0 | 0 | 1 | 0 | 1 | 0 |
| 1.21 | 1.71 | 75 | 1 | 0 | 0 | 1 | 0 | 1 | 1 |
| 1.23 | 1.74 | 76 | 1 | 0 | 0 | 1 | 1 | 0 | 0 |
| 1.25 | 1.77 | 77 | 1 | 0 | 0 | 1 | 1 | 0 | 1 |
| 1.28 | 1.81 | 78 | 1 | 0 | 0 | 1 | 1 | 1 | 0 |
| 1.31 | 1.85 | 79 | 1 | 0 | 0 | 1 | 1 | 1 | 1 |
| 1.33 | 1.89 | 80 | 1 | 0 | 1 | 0 | 0 | 0 | 0 |
| 1.36 | 1.93 | 81 | 1 | 0 | 1 | 0 | 0 | 0 | 1 |
| 1.39 | 1.97 | 82 | 1 | 0 | 1 | 0 | 0 | 1 | 0 |
| 1.42 | 2.01 | 83 | 1 | 0 | 1 | 0 | 0 | 1 | 1 |
| 1.45 | 2.06 | 84 | 1 | 0 | 1 | 0 | 1 | 0 | 0 |
| 1.49 | 2.10 | 85 | 1 | 0 | 1 | 0 | 1 | 0 | 1 |
| 1.52 | 2.16 | 86 | 1 | 0 | 1 | 0 | 1 | 1 | 0 |
| 1.56 | 2.21 | 87 | 1 | 0 | 1 | 0 | 1 | 1 | 1 |
| 1.60 | 2.26 | 88 | 1 | 0 | 1 | 1 | 0 | 0 | 0 |
| 1.64 | 2.32 | 89 | 1 | 0 | 1 | 1 | 0 | 0 | 1 |
| 1.68 | 2.40 | 90 | 1 | 0 | 1 | 1 | 0 | 1 | 0 |
| 1.73 | 2.45 | 91 | 1 | 0 | 1 | 1 | 0 | 1 | 1 |
| 1.78 | 2.51 | 92 | 1 | 0 | 1 | 1 | 1 | 0 | 0 |
| 1.83 | 2.59 | 93 | 1 | 0 | 1 | 1 | 1 | 0 | 1 |
| 1.88 | 2.66 | 94 | 1 | 0 | 1 | 1 | 1 | 1 | 0 |
| 1.94 | 2.74 | 95 | 1 | 0 | 1 | 1 | 1 | 1 | 1 |

Notes: 4) Writing all 0s into Q0-Q6 activates a low power shutdown mode. BOTH filter sections are deactivated. 0 = V-, 1 = V+.

Pin Programmable Universal and Bandpass Filters

MAX263/MAX264/MAX267/MAX268

Table 3. Q Program Selection Table (Continued)

| PROGRAMMED Q | | PROGRAM CODE | | | | | | | |
|--------------|--------|--------------|----|----|----|----|----|----|----|
| MODE 1,3,4 | MODE 2 | N | Q6 | Q5 | Q4 | Q3 | Q2 | Q1 | Q0 |
| 2.00 | 2.83 | 96 | 1 | 1 | 0 | 0 | 0 | 0 | 0 |
| 2.06 | 2.92 | 97 | 1 | 1 | 0 | 0 | 0 | 0 | 1 |
| 2.13 | 3.02 | 98 | 1 | 1 | 0 | 0 | 0 | 1 | 0 |
| 2.21 | 3.12 | 99 | 1 | 1 | 0 | 0 | 0 | 1 | 1 |
| 2.29 | 3.23 | 100 | 1 | 1 | 0 | 0 | 1 | 0 | 0 |
| 2.37 | 3.35 | 101 | 1 | 1 | 0 | 0 | 1 | 0 | 1 |
| 2.46 | 3.48 | 102 | 1 | 1 | 0 | 0 | 1 | 1 | 0 |
| 2.56 | 3.62 | 103 | 1 | 1 | 0 | 0 | 1 | 1 | 1 |
| 2.67 | 3.77 | 104 | 1 | 1 | 0 | 1 | 0 | 0 | 0 |
| 2.78 | 3.96 | 105 | 1 | 1 | 0 | 1 | 0 | 0 | 1 |
| 2.91 | 4.11 | 106 | 1 | 1 | 0 | 1 | 0 | 1 | 0 |
| 3.05 | 4.31 | 107 | 1 | 1 | 0 | 1 | 0 | 1 | 1 |
| 3.20 | 4.53 | 108 | 1 | 1 | 0 | 1 | 1 | 0 | 0 |
| 3.37 | 4.76 | 109 | 1 | 1 | 0 | 1 | 1 | 0 | 1 |
| 3.56 | 5.03 | 110 | 1 | 1 | 0 | 1 | 1 | 1 | 0 |
| 3.76 | 5.32 | 111 | 1 | 1 | 0 | 1 | 1 | 1 | 1 |

| PROGRAMMED Q | | PROGRAM CODE | | | | | | | |
|--------------|--------|--------------|----|----|----|----|----|----|----|
| MODE 1,3,4 | MODE 2 | N | Q6 | Q5 | Q4 | Q3 | Q2 | Q1 | Q0 |
| 4.00 | 5.66 | 112 | 1 | 1 | 1 | 0 | 0 | 0 | 0 |
| 4.27 | 6.03 | 113 | 1 | 1 | 1 | 0 | 0 | 0 | 1 |
| 4.57 | 6.46 | 114 | 1 | 1 | 1 | 0 | 0 | 1 | 0 |
| 4.92 | 6.96 | 115 | 1 | 1 | 1 | 0 | 0 | 1 | 1 |
| 5.33 | 7.54 | 116 | 1 | 1 | 1 | 0 | 1 | 0 | 0 |
| 5.82 | 8.23 | 117 | 1 | 1 | 1 | 0 | 1 | 0 | 1 |
| 6.40 | 9.05 | 118 | 1 | 1 | 1 | 0 | 1 | 1 | 0 |
| 7.11 | 10.1 | 119 | 1 | 1 | 1 | 0 | 1 | 1 | 1 |
| 8.00 | 11.3 | 120 | 1 | 1 | 1 | 1 | 0 | 0 | 0 |
| 9.14 | 12.9 | 121 | 1 | 1 | 1 | 1 | 0 | 0 | 1 |
| 10.7 | 15.1 | 122 | 1 | 1 | 1 | 1 | 0 | 1 | 0 |
| 12.8 | 18.1 | 123 | 1 | 1 | 1 | 1 | 0 | 1 | 1 |
| 16.0 | 22.6 | 124 | 1 | 1 | 1 | 1 | 1 | 0 | 0 |
| 21.3 | 30.2 | 125 | 1 | 1 | 1 | 1 | 1 | 0 | 1 |
| 32.0 | 45.3 | 126 | 1 | 1 | 1 | 1 | 1 | 1 | 0 |
| 64.0 | 90.5 | 127 | 1 | 1 | 1 | 1 | 1 | 1 | 1 |

- Notes: 5) In Modes 1, 3, and 4: $Q = 64/(128-N)$
 6) In Mode 2, the listed Q values are those of Mode 1 multiplied by $\sqrt{2}$. Then $Q = 90.51/(128-N)$

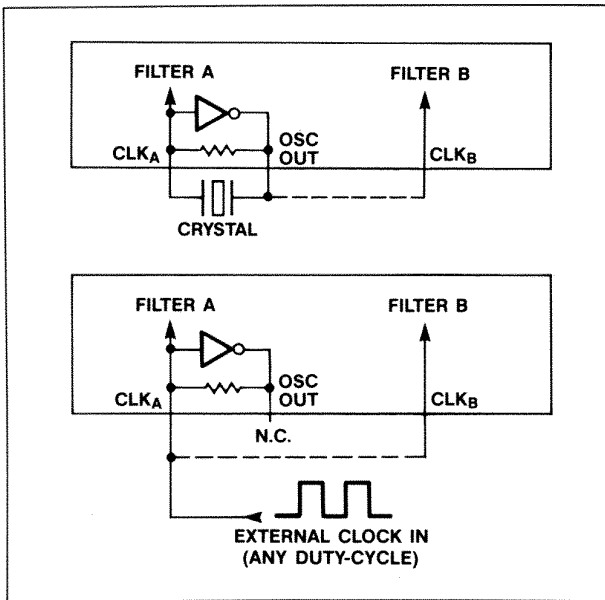


Figure 3. Clock Input Connections

Oscillator and Clock Inputs

The clock circuitry of the MAX263/64/67/68 can operate with a crystal or an external clock generator as shown in Figure 3. The duty cycle of the clock at CLK_A and CLK_B is unimportant because the input is internally divided by two to generate the sampling clock for each filter section. It is important to note that this internal division also halves the sample rate when considering aliasing and other sampled system phenomenon.

Shutdown Mode

The filter enters a shutdown mode when all Q inputs, Q0-Q6, are tied low. When shut down, power consumption with $\pm 5V$ supplies typically drops to 25mW. When reactivating the filter after shutdown, allow 2ms to return to full operation.

Filter Operating Modes (MAX263/264 Only)

The MAX263/264's filter sections can be configured in four basic "Modes" as selected by inputs M0 and M1 (see Table 4). The MAX267/68 operates only in Mode 1. A fifth mode, 3A, uses an external op amp and resistors but is selected the same way and uses the same internal configuration as Mode 3.

Figures 4 through 8 show symbolic representations of the MAX263/64 filter modes. Only one second-order section is shown in each case, however the f_0 , Q, and Mode select inputs are common to both halves of the IC. The f_0 , f_N (notch), Q, and various output gains for each mode are shown in Table 4.

Filter Mode Selection

All operating modes listed in this section can be used with the MAX263/64. The MAX267/68 bandpass filter operates only in Mode 1.

MODE 1 (Figure 4) is useful when implementing all-pole lowpass and bandpass filters such as Butterworth, Chebyshev, Bessel, etc. It can also be used for notch filters, but only second-order notches because the relative pole and zero locations are fixed. Higher order notch filters require more latitude in f_0 and f_N , which is why they are more easily implemented with Mode 3A.

Pin Programmable Universal and Bandpass Filters

Table 4. Filter Modes for Second-Order Functions—MAX263/264 (MAX267/268 = MODE 1, BP only)

| MODE | M1, M0 | FILTER FUNCTIONS | f_0 | Q | f_N | H_{OLP} | H_{OBP} | H_{ON1} ($f \rightarrow 0$) | H_{ON2} ($f \rightarrow f_{CLK}/4$) | OTHER | |
|------|--------|------------------|-------------|-------------|-----------------------------|-----------|---------------|------------------------------------|--|-------|--|
| 1 | 0, 0 | LP, BP, N | SEE TABLE 2 | SEE TABLE 3 | f_0 | -1 | -Q | -1 | -1 | | |
| 2 | 0, 1 | LP, BP, N | | | $f_0\sqrt{2}$ | -0.5 | $-Q/\sqrt{2}$ | -0.5 | -1 | | |
| 3 | 1, 0 | LP, BP, HP | | | | -1 | -Q | | | | $H_{OHP} = -1$ |
| 3A | 1, 0 | LP, BP, HP, N | | | $f_0\sqrt{\frac{R_H}{R_L}}$ | -1 | -Q | $+\frac{R_G}{R_L}$ | $+\frac{R_G}{R_H}$ | | $H_{OHP} = -1$ |
| 4 | 1, 1 | LP, BP, AP | | | | -2 | -2Q | | | | $H_{OAP} = -1$ $f_z = f_0, Q_z = Q$ |

Notes: f_0 = Center Frequency
 f_N = Notch Frequency
 H_{OLP} = Lowpass Gain at DC
 H_{OBP} = Bandpass Gain at f_0
 H_{OHP} = Highpass Gain as f approaches $f_{CLK}/4$

H_{ON1} = Notch Gain as f approaches DC
 H_{ON2} = Notch Gain as f approaches $f_{CLK}/4$
 H_{OAP} = Allpass Gain
 f_z, Q_z = f and Q of Complex Pole Pair

Mode 1, along with Mode 4, supports the highest clock frequencies (see Table 1) because the input summing amplifier is outside the filter's resonant loop (Figure 4). The gain of the lowpass and notch outputs is 1, while the bandpass gain at the center frequency is Q . For bandpass gains other than Q , the filter input or output can be scaled by a resistive divider or op amp. In multiple feedback filters, the gain is set by the feedback resistors.

creating a separate notch output. This output allows the notch to be set independently of f_0 by adjusting the op amp's feedback resistor ratio (R_H, R_L). R_H, R_L , and R_G are external resistors. Because the notch can be independently set, Mode 3A is also useful when designing pole-zero filters such as elliptics.

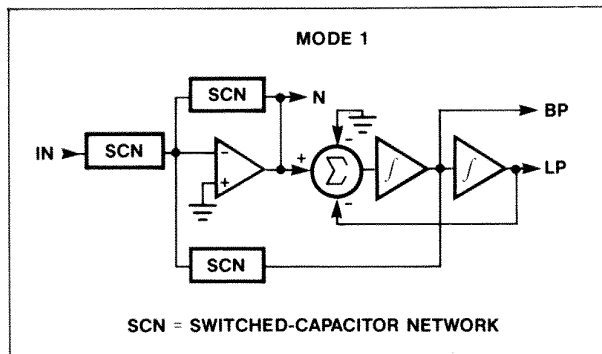


Figure 4. Filter Mode 1: Second-Order Bandpass, Lowpass and Notch

MODE 2 (Figure 5) is used for all-pole lowpass and bandpass filters. Key advantages compared to Mode 1 are higher available Q s (see Table 3) and lower output noise. Mode 2's available f_{CLK}/f_0 ratios are $\sqrt{2}$ less than with Mode 1 (see Table 2) so a wider overall range of f_0 s can be selected from a single clock when both modes are used together.

MODE 3 (Figure 6) is the only mode which produces high-pass filters. The maximum clock frequency is somewhat less than with Mode 1 (see Table 1).

MODE 3A (Figure 7) uses a separate op amp to sum the highpass and lowpass outputs of Mode 3,

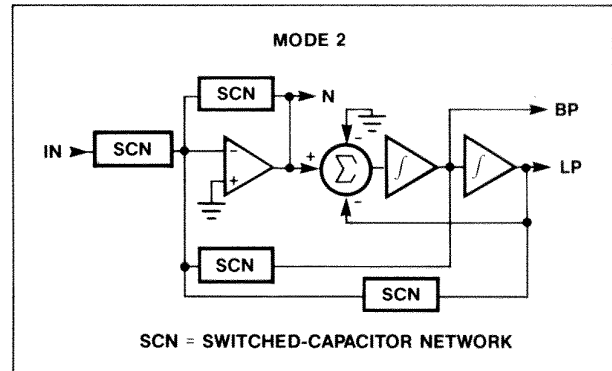


Figure 5. Filter Mode 2: Second-Order Bandpass, Lowpass and Notch

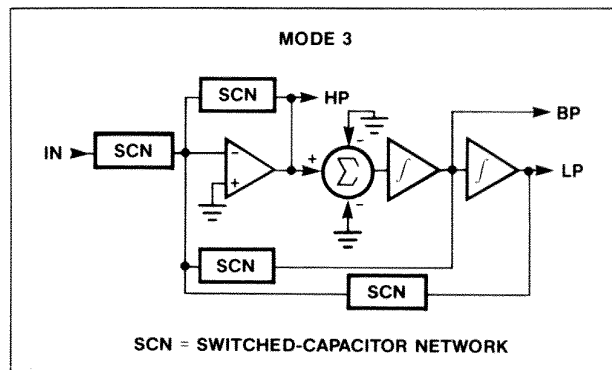


Figure 6. Filter Mode 3: Second-Order Bandpass, Lowpass and Highpass

Pin Programmable Universal and Bandpass Filters

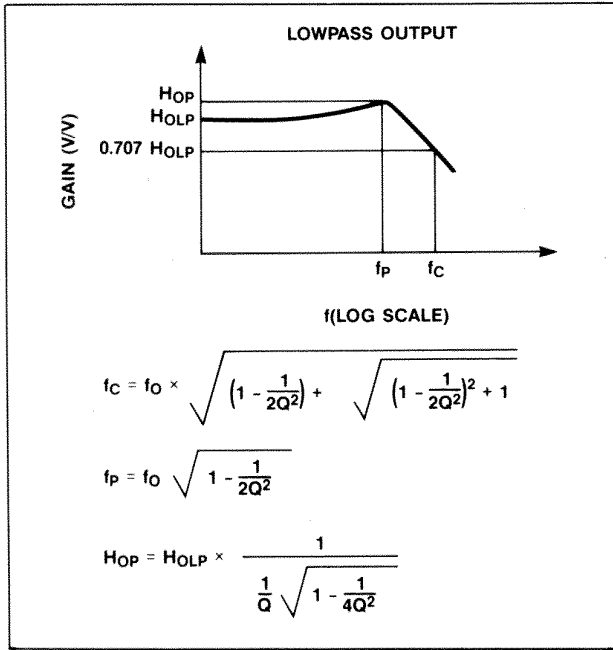


Figure 10. Second-Order Lowpass Characteristics

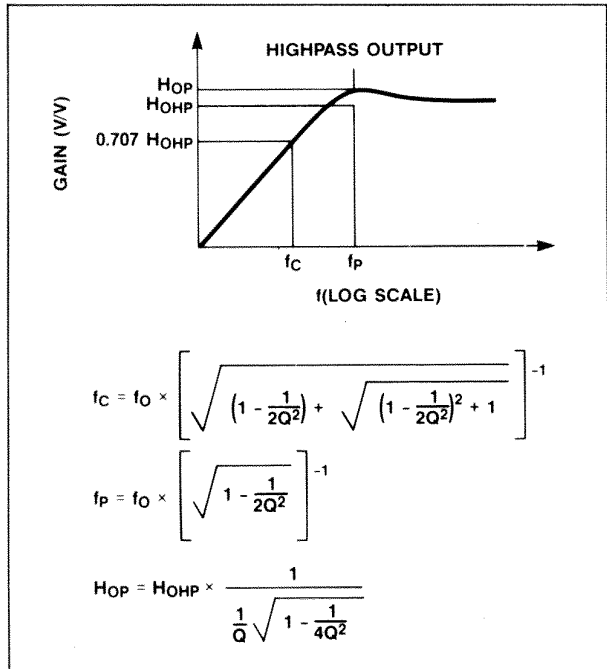


Figure 11. Second-Order Highpass Characteristics

NOTCH (Figure 12)

Mode 3A is recommended for multi-pole notch filters. In 2nd order filters, Mode 1 can also be used. The advantages of Mode 1 are higher bandwidth compared

to mode 3 (Higher f_N can be implemented) and no need for external components as required in Mode 3A.

$$G(s) = H_{ON2} \frac{s^2 + \omega_n^2}{s^2 + s(\omega_o/Q) + \omega_o^2}$$

H_{ON2} = Notch output gain as f approaches $f_{CLK}/4$

H_{ON1} = Notch output gain as f approaches DC

$$f_n = \omega_n/2\pi$$

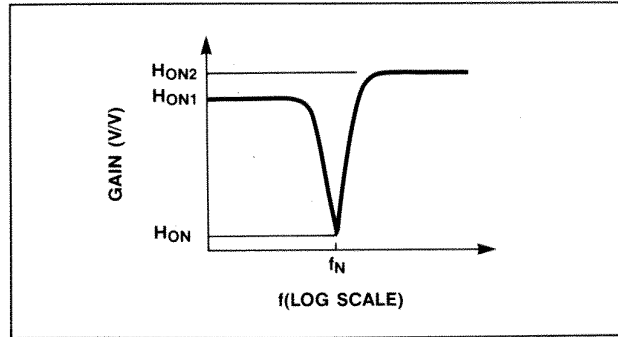


Figure 12. Second-Order Notch Characteristics

ALL PASS

Mode 4 is the only configuration in which an allpass function can be realized.

$$G(s) = H_{OAP} \frac{s^2 - s(\omega_o/Q) + \omega_o^2}{s^2 + s(\omega_o/Q) + \omega_o^2}$$

H_{OAP} = All pass output gain for $DC < f < f_{CLK}/4$

$$f_0 = \omega_0/2\pi$$

Filter Design Procedure

The procedure for most filter designs is to first convert the required frequency response specifications to f_0 s and Q s for the appropriate number of second-order sections that implement the filter. This can be done by using design equations or tables in available literature, or can be conveniently calculated using Maxim's filter design software. Once the f_0 and Q s have been found, the next step is to turn them into the digital program coefficients required by the filter. An operating Mode and clock frequency (or clock/center frequency ratio) must also be selected.

Next, if the sample rate ($f_{CLK}/2$) is low enough to cause significant errors, the selected f_0 s and Q s should be corrected to account for sampling effects by using Figure 17 or Maxim's design software. In most cases, the sampling errors are small enough to require no correction, i.e. less than 1%. In any case, with or without correction, the required f_0 s and Q s can then be selected from Tables 2 and 3. Maxim's filter design software can also perform this last step. The desired f_0 s and Q s are stated, and the appropriate digital coefficients are supplied.

Pin Programmable Universal and Bandpass Filters

MAX263/MAX264/MAX267/MAX268

Multiple Feedback Bandpass Filters

An alternate implementation of all-pole bandpass filters (i.e. Butterworth, Chebyshev) requires only one clock and common programming for all second-order sections. This can be useful with MAX26X pin-programmed filters since the two second-order halves must be programmed with the same f_{CLK}/f_0 ratio and Q (although they may use different clocks).

As shown in Figure 13, external resistors connect the outputs of cascaded filter sections to a summing op-amp at the input. Since each 2nd-order section inverts (gain = -Q) the output from odd numbered sections (except for the first) must be inverted before being fed back as in the 8th-order example in Figure 13. The MAX267/68 has an on-chip amplifier for this purpose but the MAX263/64 requires external op-amp(s).

In multiple feedback filters, the bandpass response is a function of the clock, f_{CLK}/f_0 ratio, Q, and feedback resistor ratios. In Table 5, constants for calculating resistor ratios in common bandpass configurations are listed. Maxim's filter design program "BP" also selects resistors for multiple feedback bandpass designs. A 4th-order design example (Figure 13) best illustrates how Table 5 is used.

Multiple Feedback Example

Requirements: 4th-order Chebyshev with 1 dB pass-band ripple, $f_0 = 10\text{kHz}$, and bandwidth (BW) = 2kHz.

1) The overall filter Q is $Q_F = f_0/BW = 10\text{kHz}/2\text{kHz} = 5$

- 2) From Table 5: $K_Q = 1.8219$
- 3) The Q of each 2nd-order section is $Q_R = Q_F \times K_Q = 5 \times 1.8219 = 9.09$
- 4) R_F is selected, 10k Ω is a convenient value.
- 5) $R_2 = K_2 R_F (Q_R/2)^2 = 1.5039 \times 10\text{k} \times (9.109/2)^2 = 312\text{k}$
In higher order filters, the general equation is:
 $R_N = K_N R_F (Q_R/2)^N$
- 6) R_0 sets the overall gain, A: $R_0 = K_0 R_F (Q_R/2)^2 / A$, so for a gain of 1: $R_0 = 1.0930 \times 10\text{k} \times (9.109/2)^2 / 1 = 226.8\text{k}$. In higher order filters the general equation is $R_0 = K_0 R_F (Q_R/2)^M$ where M = (order of filter)/2.
- 7) The filter f_0 can be programmed using a wide range of clock frequencies and f_{CLK}/f_0 ratios. If $f_{CLK} = 1\text{MHz}$, then $f_{CLK}/f_0 = 100$ (code 00000 = 100.53) results in $f_0 = 10\text{kHz}$.
- 8) A 2.5pF to 10pF capacitor may be required across R_2 to prevent response peaking.

Cascading Filters

In some designs, such as very narrow band filters, several second-order sections with identical center frequency may be cascaded without multiple feedback. The total Q of the resultant filter is:

$$\text{Total } Q_T = \frac{Q}{\sqrt{2^{1/N} - 1}}$$

Q is the Q of each individual filter section, and N is the number of sections. In Table 6, the Total Q and

Table 5. Multiple Feedback Bandpass Filter Constants

| TYPE (RIPPLE) | ORDER | K0 | K2 | K3 | K4 | KQ |
|-------------------------|-------|--------|--------|--------|--------|--------|
| Butterworth (3.0 dB) | 4 | 2.0000 | 4.0000 | | | 1.4142 |
| | 6 | 2.3704 | 2.6667 | 9.1429 | | 1.5000 |
| | 8 | 2.9142 | 2.000 | 5.8284 | 14.315 | 1.5307 |
| Chebyshev (0.1 dB) | 4 | 1.6983 | 2.9512 | | | 0.8430 |
| | 6 | 1.3183 | 1.2137 | 4.5125 | | 1.5473 |
| | 8 | 0.7986 | 0.5782 | 1.8809 | 2.0343 | 2.2176 |
| Chebyshev (0.2 dB) | 4 | 1.5757 | 2.5998 | | | 1.0378 |
| | 6 | 1.1128 | 0.9894 | 3.7271 | | 1.8413 |
| | 8 | 0.5891 | 0.4551 | 1.4954 | 1.3309 | 2.6057 |
| Chebyshev (0.5 dB) | 4 | 1.3405 | 2.0161 | | | 1.4029 |
| | 6 | 0.8143 | 0.6897 | 2.6447 | | 2.3944 |
| | 8 | 0.3389 | 0.3040 | 1.0114 | 0.6365 | 3.3406 |
| Chebyshev (1.0 dB) | 4 | 1.0930 | 1.5039 | | | 1.8219 |
| | 6 | 0.5822 | 0.4756 | 1.8475 | | 3.0354 |
| | 8 | 0.1869 | 0.2038 | 0.6840 | 0.3002 | 4.1981 |
| Chebyshev (1.5 dB) | 4 | 0.9192 | 1.1934 | | | 2.1688 |
| | 6 | 0.4515 | 0.3616 | 1.4145 | | 3.5705 |
| Chebyshev (2.0 dB) | 4 | 0.7850 | 0.9767 | | | 2.4881 |
| | 6 | 0.3641 | 0.2878 | 1.1308 | | 4.0660 |
| Chebyshev (2.5 dB) | 4 | 0.6769 | 0.8148 | | | 2.7962 |
| | 6 | 0.3005 | 0.2353 | 0.9275 | | 4.5462 |
| Chebyshev (3.0 dB) | 4 | 0.5875 | 0.6886 | | | 3.1013 |
| | 6 | 0.2519 | 0.1959 | 0.7739 | | 5.0231 |

Pin Programmable Universal and Bandpass Filters

Table 6. Cascading Identical Bandpass Filter Sections

| Total Sections | Total B.W. | Total Q |
|----------------|------------|---------|
| 1 | 1.000 B | 1.00 Q |
| 2 | 0.644 B | 1.55 Q |
| 3 | 0.510 B | 1.96 Q |
| 4 | 0.435 B | 2.30 Q |
| 5 | 0.386 B | 2.60 Q |

Note: B = individual stage bandwidth, Q = individual stage Q. bandwidth are listed for up to five identical second-order sections. B is the bandwidth of each section.

In high order bandpass filters that do not use multiple feedback, stages with different f_0 s and Qs may also be cascaded. When this happens the overall filter gain at the bandpass center frequency is not simply the product of the individual gains because f_0 s, the frequency where each section's gain is specified, is different for each second-order section. The gain of each section at the cascaded filter's center frequency must be determined to obtain the total gain.

For all-pole filters the gain, $H(f_0)$, at each second-order section's f_0 is divided by an adjustment factor, G, to obtain that section's gain, $H(f_{0BP})$, at the overall center frequency:

$$H_1(f_{0BP}) = H(f_{01})/G_1 = \text{Section 1's Gain at } f_{0BP}$$

$$G_1 = \frac{Q_1[(F_1^2 - 1)^2 + (F_1/Q_1)^2]^{1/2}}{F_1}$$

where $F_1 = f_{01}/f_{0BP}$

G_1 , Q_1 , and f_{01} are the gain adjustment factor, Q, and f_0 for the first of the cascaded second-order sections. The gain of the other sections (2, 3 etc.) at f_{0BP} is determined the same way. The overall gain is:

$$H(f_{0BP}) = H_1(f_{0BP}) \times H_2(f_{0BP}) \times \text{etc.}$$

For cascaded filters with zeros (f_z) such as elliptics, the gain adjustment factor for each stage is:

$$G_1 = \frac{Q_1[F_{Z1}^2 - F_1^2] [(F_1^2 - 1)^2 + (F_1/Q_1)^2]^{1/2}}{F_1^2(F_{Z1}^2 - 1)}$$

where $F_{Z1} = f_{z1}/f_{0BP}$, and F_1 is the same as above.

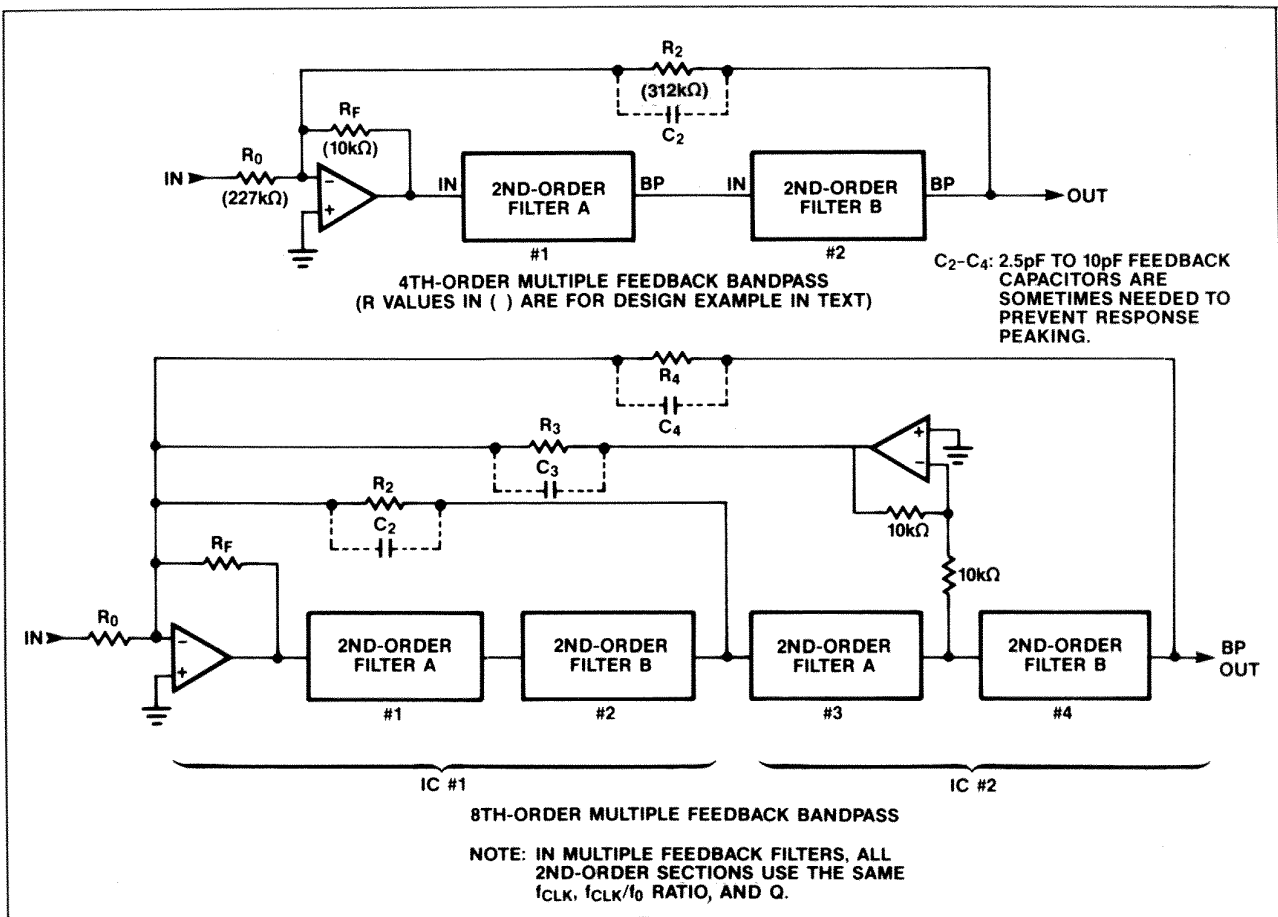


Figure 13. Multiple Feedback Bandpass Block Diagram (See Text for R Values)

Pin Programmable Universal and Bandpass Filters

MAX263/MAX264/MAX267/MAX268

Application Hints

Power Supplies

The MAX263/64/67/68 can be operated with a variety of power supply configurations including +5V to +12V single supply, or $\pm 2.5V$ to $\pm 6V$ dual supplies. When a single supply is used, V^- is connected to system ground and the filter's GND pin should be biased at $V^+/2$. The input signal is then either capacitively coupled to the filter input or biased to $V^+/2$. Figure 14 shows circuit connections for single supply operation.

Power consumption at $\pm 5V$ is reduced if CLK_A and CLK_B are driven with $\pm 5V$, rather than TTL or 0 to 5V levels. Operation with +5V or $\pm 2.5V$ power lowers power consumption but also reduces bandwidth by approximately 25% compared to +12V or $\pm 5V$ supplies.

Best performance is achieved if V^+ and V^- are bypassed to ground with $4.7\mu F$ electrolytic (Tantalum is preferred.) and $0.1\mu F$ ceramic capacitors. These should be located as close to the supply pins as possible. The lead length of the bypass capacitors should be shortest at the V^+ and V^- pins. When using a single supply V^+ and GND should be bypassed to V^- as shown in Figure 14.

Output Swing and Clipping

MAX26X outputs are designed to swing to within 0.15V of each supply rail with a $10k\Omega$ load.

To ensure that the outputs are not driven beyond their maximum range (output clipping), the peak amplitude response, individual section gains (H_{OHP} , H_{OLP} , H_{HP}), input signal level, and filter offset voltages must be carefully considered. It is especially important to check UNUSED outputs for clipping (i.e. the lowpass output in a bandpass hookup) because overload at ANY filter stage severely distorts the overall response. The maximum signal swing with $\pm 4.75V$ supplies and a 1.0V filter offset is approximately $\pm 3.5V$.

For example let's assume a fourth-order lowpass filter is being implemented with a Q of 2 using Mode 1. With a single 5V supply (i.e. $\pm 2.5V$ with respect to chip GND) the maximum output signal is $\pm 2V$ (w.r.t. GND). Since in Mode 1 the maximum signal is Q times the input signal, the input should not exceed $\pm(2/Q)V$, or $\pm 1V$ in this case.

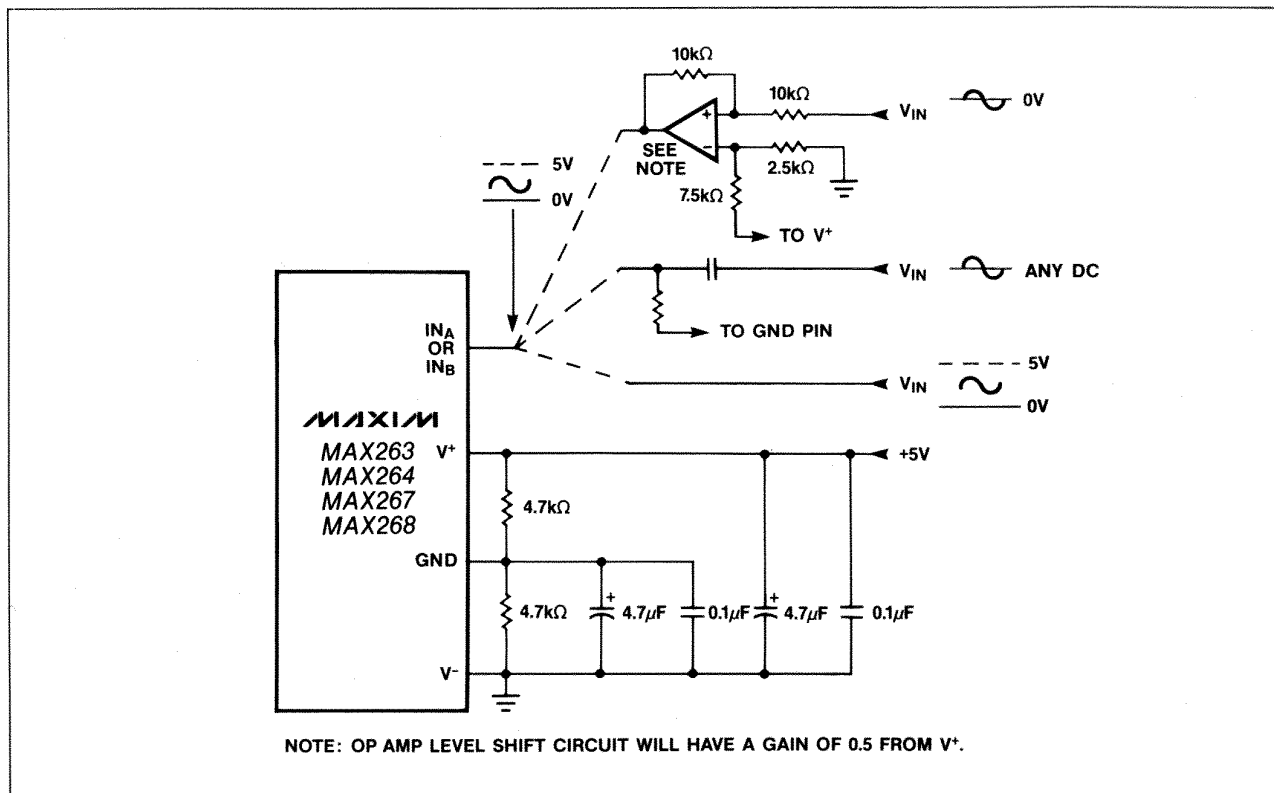


Figure 14. Power Supply and Input Connections for Single Supply Operation

Pin Programmable Universal and Bandpass Filters

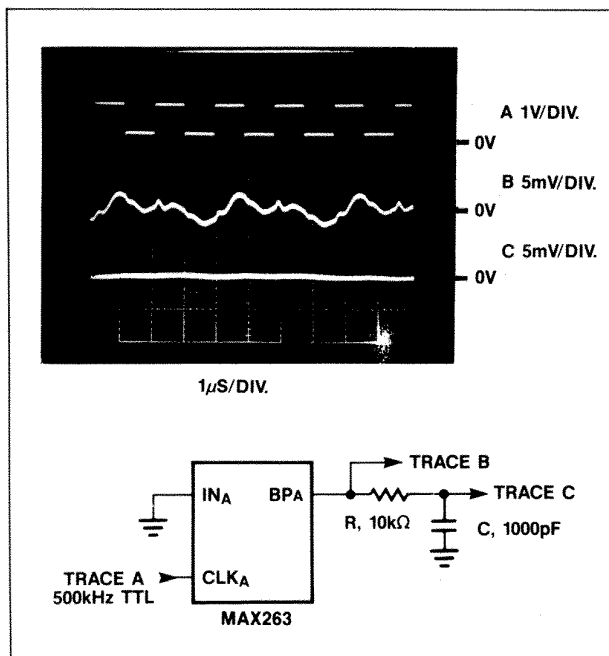


Figure 15. MAX263 Bandpass Output Clock Noise

Clock Feedthrough and Noise

Typical wideband noise for MAX26X series devices is 0.5mV_{pp} from DC to 100kHz. The noise is virtually independent of clock frequency. In multistage filters, the section with the highest Q should be placed first for lower output noise.

The output waveform of the MAX26X series and other switched capacitor filters appears as a sampled signal with stepping or “staircasing” of the output waveform occurring at the internal sample rate ($f_{\text{CLK}}/2$). This stepping, if objectionable, can be removed by adding a single pole RC filter. With no input signal, clock related feedthrough is approximately 8mV_{pp} . This can also be attenuated with an RC smoothing filter as shown with the MAX263 in Figure 15.

Input Impedance

The filter input model is shown in Figure 16. Input capacitor C_A is shunted by C_B which is switched at one half the input clock frequency ($F_{\text{CLK}}/2$). The input impedance is described by: $R_{\text{IN}} = 2/(C_A \times f_{\text{CLK}})$. There is also a fixed stray capacitance of about 5pF to ground.

Digital Inputs

Filter programming is accomplished by tying input pins M0, M1, F0-F4, and Q0-Q6 to high or low voltage levels, typically V^+ and V^- . Inputs are not internally pulled up or down, so these inputs must not be left unconnected. Input thresholds are guaranteed to be no higher than $V^+ - 0.5\text{V}$ and no lower than $V^- + 0.5\text{V}$. When driving the digital inputs (i.e., the digital inputs

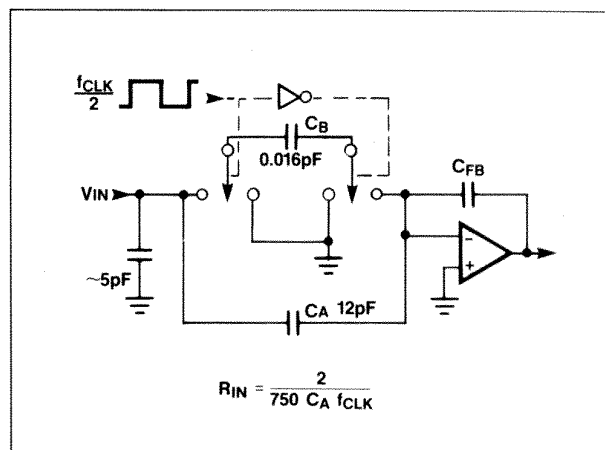


Figure 16. MAX263/64/67/68 Input Model

are tied to microprocessor I/O lines), additional protection is provided by placing a $1\text{k}\Omega$ resistor in series with the programming pins. If pull-up resistors are used with switches at the programming inputs, as might be the case in prototype breadboards, the pull-up resistors should be no more than $3.3\text{k}\Omega$.

f_0 and Q at Low Sample Rates

When low f_{CLK}/f_0 ratios and low Q settings are selected, deviation from ideal continuous filter response may be noticeable in some designs. This is due to interaction between Q, and f_0 at low f_{CLK}/f_0 ratios and Qs. The data in Figure 17 quantifies these differences. Since the errors are predictable, the graphs can be used to correct the selected f_0 and Q so that the actual realized parameters are on target. These predicted errors are not unique to MAX26X series devices and in fact occur with all sampled filters. Consequently, these corrections can be applied to other switched-capacitor filters. In the majority of cases, the errors are not significant, i.e. less than 1%, and correction is not needed. However, the MAX264/68 does employ a lower range of f_{CLK}/f_0 ratios than the MAX263/67 and is more prone to sampling errors as the tables show.

Maxim’s filter design software applies the previous corrections automatically as a function of desired f_{CLK}/f_0 , and Q. Therefore, Figure 17 should NOT be used when Maxim’s software determines f_0 and Q. This results in overcompensation of the sampling errors since the correction factors are then counted twice.

The data plotted in Figure 17 applies for Modes 1 and 3. When using Figure 17 for Mode 4, the f_0 error obtained from the graph should be multiplied by 1.5 and the Q error should be multiplied by 3.0. In Mode 2 the value of f_{CLK}/f_0 should be multiplied by $\sqrt{2}$ and the programmed Q should be divided by $\sqrt{2}$ before using the graphs.

Pin Programmable Universal and Bandpass Filters

MAX263/MAX264/MAX267/MAX268

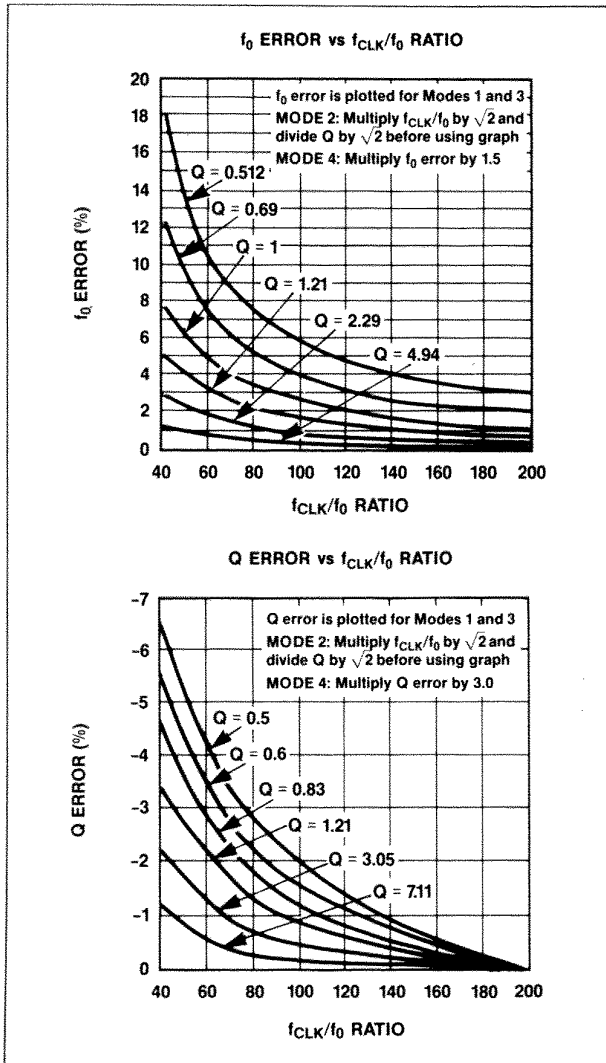


Figure 17. Sampling Errors in f_{CLK}/f₀ and Q at Low f_{CLK}/f₀ and Q Settings

Aliasing

As with all sampled systems, frequency components of the input signal above one half the sampling rate will be aliased. In particular, input signal components near the sampling rate generate difference frequencies that often fall within the passband of the filter. Such aliased signals, when they appear at the output, are indistinguishable from real input information. For example, the aliased output signal generated when a 99kHz waveform is applied to a filter sampling at 100kHz, (f_{CLK} = 200kHz) is 1kHz. This waveform is an attenuated version of the output that would result from a true 1kHz input. Remember that with the MAX26X series filters, the nyquist rate (one half the sample rate) is in fact f_{CLK}/4 because f_{CLK} is internally divided by two.

A simple passive RC lowpass input filter is usually sufficient to remove input frequencies that can cause aliasing. In many cases the input signal itself may be band limited and require no special anti-alias filtering. The wideband MAX264/68 uses lower f_{CLK}/f₀ ratios than the MAX263/67 and for this reason is more likely to require input filtering than the MAX263 or MAX267.

Trimming DC Offset

The DC offset voltage at the LP or Notch output can be adjusted with the circuit in Figure 18. This circuit also uses the input op-amp to implement a single pole anti-alias filter. Note that the total offset will generally be less in multistage filters than when only one section is used since each offset is typically negative and each section inverts. When the HP or BP outputs are used, the offset can be removed with capacitor coupling.

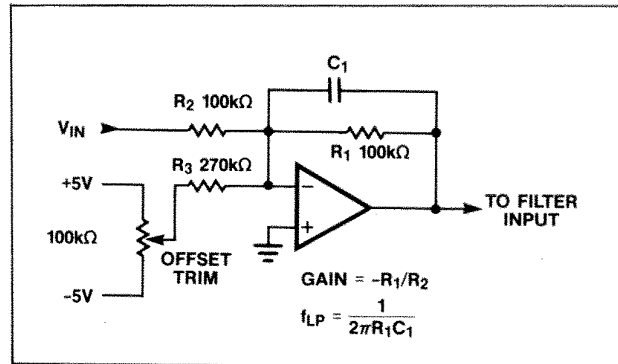


Figure 18. Circuit for DC Offset Adjustment

Design Examples

4th-Order Multiple Feedback Bandpass—MAX268

In Figure 19, a pin-programmed MAX268 operates as a 4th-order 50kHz Chebyshev bandpass. The specifications are:

- Center frequency (f₀) = 50kHz
- Pass bandwidth = 10kHz
- Max. passband ripple = 0.1dB
- Gain at center freq. = 1V/V

Two identical 2nd-order sections and the internal op amp are used with multiple feedback. The general form is as in Figure 13. Maxim's design program, BP, generates the programming codes and feedback resistor values. With a 2.5MHz crystal clock the realized parameters are:

- Center frequency = 50.305kHz
- Pass Bandwidth = 10.07kHz
- Programmed f_{CLK}/f₀ ratio = 50.27 (N = 3)
- Programmed Q = 4.27 (N = 113)
- (desired Q = 4.215)
- Actual Q (with error correction) = 4.21
- Resistors: R₂ = 131kΩ, R₀ = 75kΩ, R_F = 10kΩ

Pin Programmable Universal and Bandpass Filters

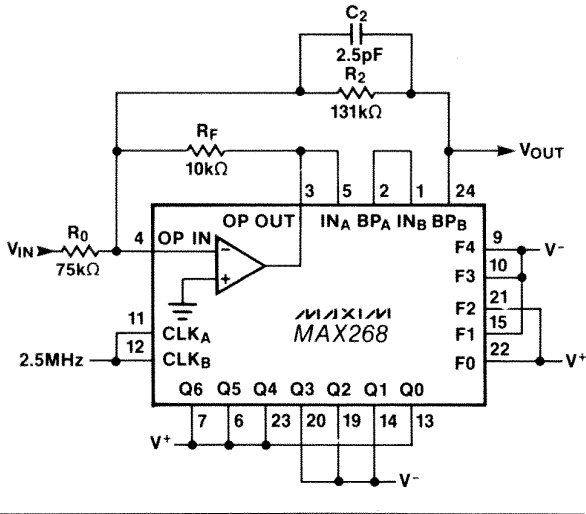
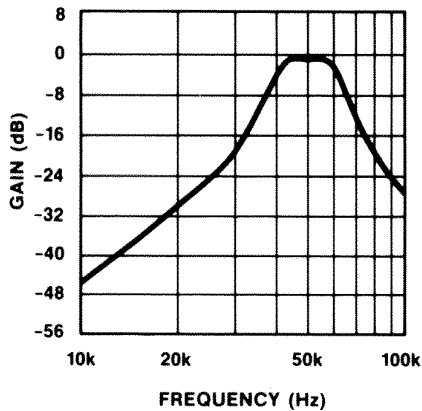


Figure 19. 4th-Order 50kHz Chebyshev Bandpass Using Multiple Feedback

Other clock rates and f_{CLK}/f_0 ratios can be chosen to implement the same filter, but larger f_{CLK}/f_0 ratios provide performance closer to the ideal. Capacitor C_2 may be needed to prevent response peaking at the passband edge. In this example $C_2 = 2.5pF$.

Multiple feedback can also be extended to 8th-order designs while still using one clock by adding a second MAX268 and 2 additional feedback resistors. These can also be calculated with the design program, BP. Note that for filter order above 4, the feedback signal from odd filter sections is inverted before it is summed (see Figure 13).

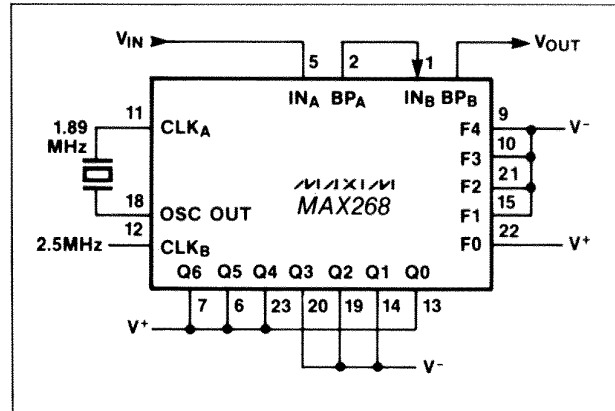


Figure 20. 4th-Order 50kHz Chebyshev Bandpass Using No External Resistors

4th-Order Bandpass (No Multiple Feedback)—MAX268

Without multiple feedback, the previous example can be implemented with no external components, however separate clocks are required for CLK_A and CLK_B (Figure 20). The target specifications are the same as before. The realized parameters are now:

- $CLK_A = 1.89MHz$, $CLK_B = 2.5MHz$
- Center frequency = 50kHz
- Pass bandwidth = 10kHz
- Programmed f_{CLK}/f_0 ratio = 43.98 (N = 1)
- Programmed Q = 4.27 (N = 113) (desired Q = 4.215)
- Actual Q (with error correction) = 4.2

With the chosen f_{CLK}/f_0 ratio, a crystal may be used at CLK_A while a divided system clock, if available (2.5, 5, 10, or 20MHz), drives CLK_B . This is suggested because CLK_A has internal circuitry to drive a crystal while CLK_B does not. Other clock sources may be used with a different programmed f_{CLK}/f_0 as long as the ratio between CLK_A and CLK_B remains the same as above. Another advantage of this circuit is that higher center frequencies can be achieved relative to equivalent multiple feedback designs because lower Q sections are used compared to multiple feedback.

Pin Programmable Universal and Bandpass Filters

MAX263/MAX264/MAX267/MAX268

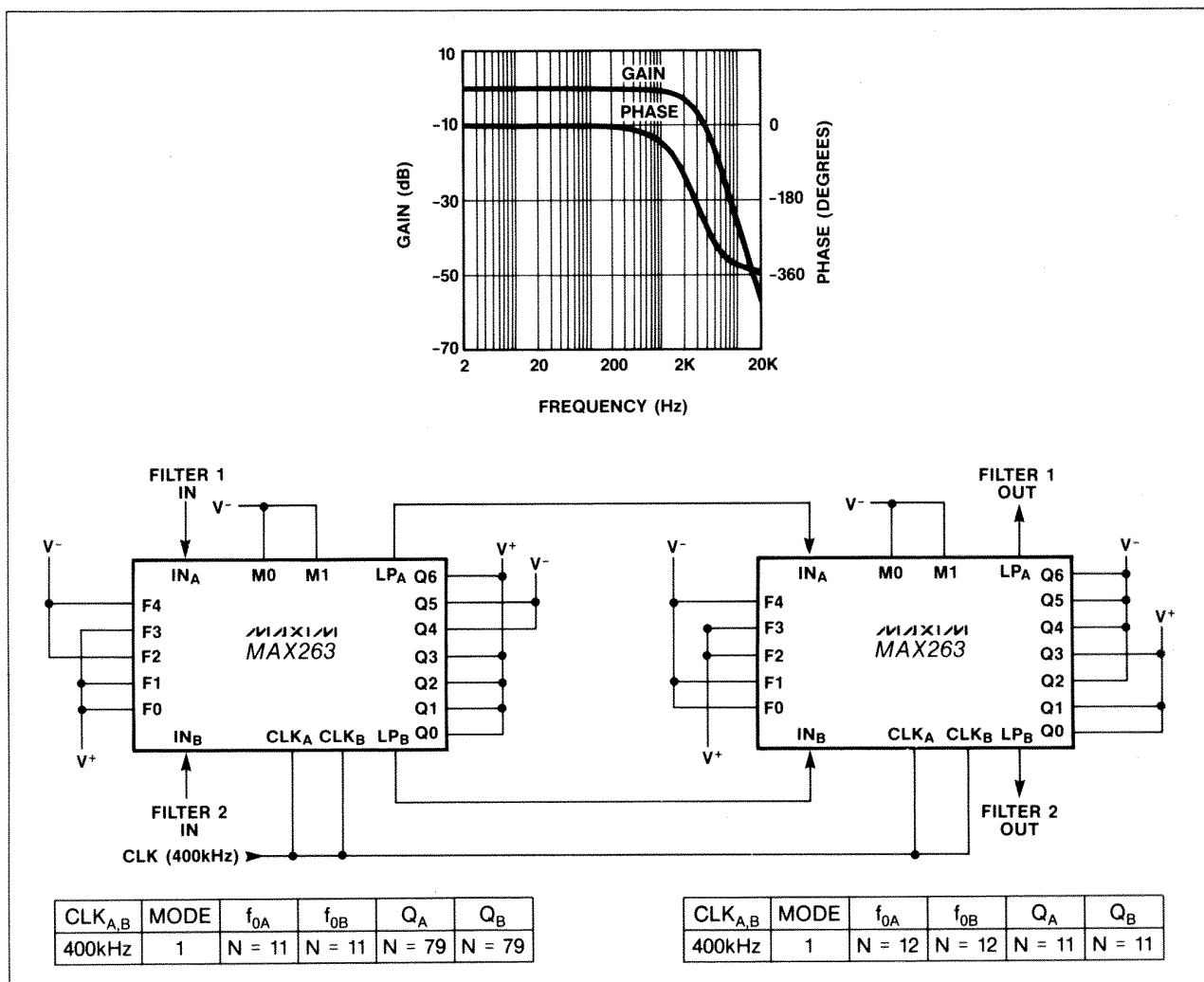


Figure 21. Dual Tracking 3kHz 4th-Order Lowpass

Dual 4th-Order Tracking Lowpass—MAX263

In Figure 21, two Butterworth lowpass filters are set up to accurately track each other. By “splitting” two MAX263s only one clock is needed. The specifications are:

$$\begin{aligned} \text{Cutoff frequency} &= 3\text{kHz} \\ f_{0A} &= f_{0B} = 3\text{kHz} \\ Q_A &= 1.307, Q_B = 0.541 \end{aligned}$$

These values can be programmed directly into the filter. However, since the Qs are low, sampling errors may be large enough to deserve attention. From Figure 17, if f_{CLK}/f_0 is near 130 (f_{CLK} is 400kHz), f_{0A} and f_{0B} will be about 4% and 1.5% high respectively. Q_A and Q_B will be 1.2% and 0.5% low. These errors may not be large enough to worry about but are corrected here (within the programming resolution of the MAX263)

by the filter design programs PZ and MPP. f_{0A} and f_{0B} are programmed to different values ($N_A = 11, N_B = 12$) for this reason.

$$\begin{aligned} \text{Mode 1, CLK}_A &= \text{CLK}_B = 400\text{kHz} \\ f_{\text{CLK}}/f_{0A} &= 135.08, N = 11 \\ &\quad (\text{target } f_{0A} = 2961\text{Hz, actual} = 3008\text{Hz}) \\ f_{\text{CLK}}/f_{0B} &= 138.23, N = 12 \\ &\quad (\text{target } f_{0B} = 2894\text{Hz, actual} = 3015\text{Hz}) \\ Q_A &= 1.31, N = 79 \text{ (actual } Q_A = 1.30) \\ Q_B &= 0.547, N = 11 \text{ (actual } Q_B = 0.542) \end{aligned}$$

Pin Programmable Universal and Bandpass Filters

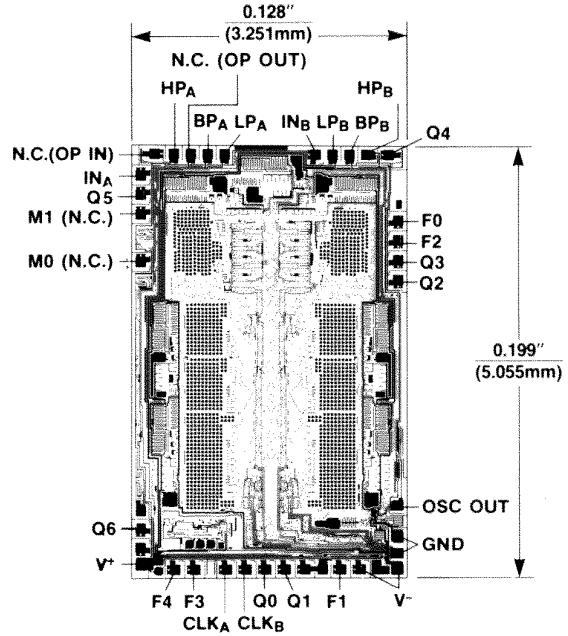
Ordering Information (continued)

| PART | TEMP RANGE | PACKAGE* | ACCURACY |
|------------|-----------------|-------------|----------|
| MAX264AEPI | -40°C to +85°C | Plastic DIP | 1% |
| MAX264BEPI | -40°C to +85°C | Plastic DIP | 2% |
| MAX264ACWI | 0°C to +70°C | Wide SO | 1% |
| MAX264BCWI | 0°C to +70°C | Wide SO | 2% |
| MAX264AMJI | -55°C to +125°C | CERDIP | 1% |
| MAX264MBJI | -55°C to +125°C | CERDIP | 2% |
| MAX267ACNG | 0°C to +70°C | Plastic DIP | 1% |
| MAX267BCNG | 0°C to +70°C | Plastic DIP | 2% |
| MAX267AENG | -40°C to +85°C | Plastic DIP | 1% |
| MAX267BENG | -40°C to +85°C | Plastic DIP | 2% |
| MAX267ACWG | 0°C to +70°C | Wide SO | 1% |
| MAX267BCWG | 0°C to +70°C | Wide SO | 2% |
| MAX267AMRG | -55°C to +125°C | CERDIP | 1% |
| MAX267BMRG | -55°C to +125°C | CERDIP | 2% |
| MAX268ACNG | 0°C to +70°C | Plastic DIP | 1% |
| MAX268BCNG | 0°C to +70°C | Plastic DIP | 2% |
| MAX268AENG | -40°C to +85°C | Plastic DIP | 1% |
| MAX268BENG | -40°C to +85°C | Plastic DIP | 2% |
| MAX268ACWG | 0°C to +70°C | Wide SO | 1% |
| MAX268BCWG | 0°C to +70°C | Wide SO | 2% |
| MAX268AMRG | -55°C to +125°C | CERDIP | 1% |
| MAX268BMRG | -55°C to +125°C | CERDIP | 2% |

* MAX263/264 packages are 28-pin 0.6" wide DIP and 28-pin 0.3" wide SO (Small Outline).

MAX267/268 packages are 24-pin 0.3" narrow DIP and 24-pin 0.3" wide SO (Small Outline).

Chip Topography

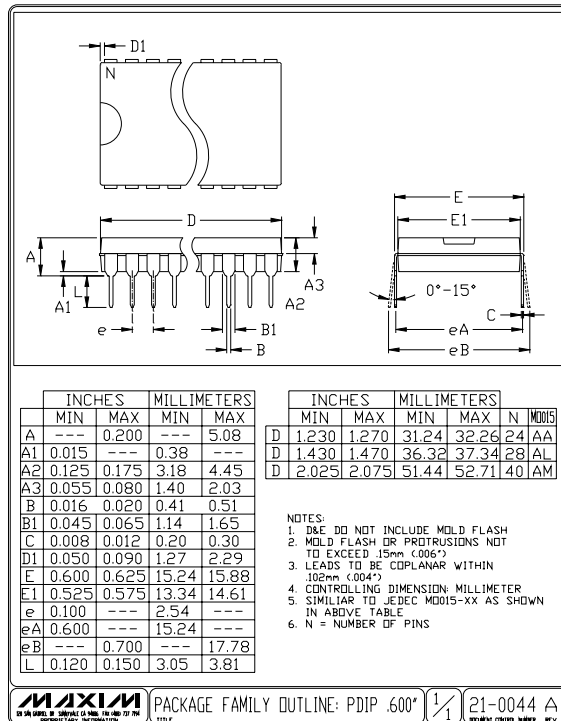
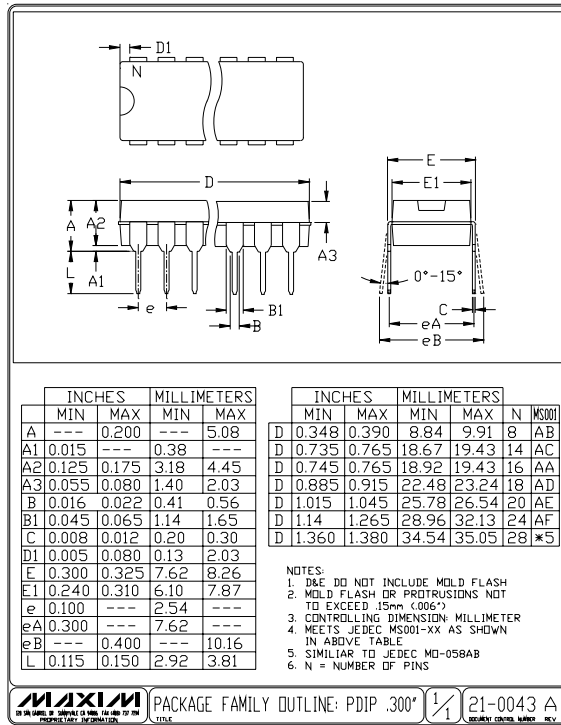


NOTE: LABELS IN PARENTHESES () ARE FOR MAX 267/268 ONLY

Pin Programmable Universal and Bandpass Filters

Package Information

MAX263/MAX264/MAX267/MAX268



Pin Programmable Universal and Bandpass Filters

Package Information (continued)

| | INCHES | | MILLIMETERS | |
|----|--------|-------|-------------|-------|
| | MIN | MAX | MIN | MAX |
| A | 0.093 | 0.104 | 2.35 | 2.65 |
| A1 | 0.004 | 0.012 | 0.10 | 0.30 |
| B | 0.014 | 0.019 | 0.35 | 0.49 |
| C | 0.009 | 0.013 | 0.23 | 0.32 |
| e | 0.050 | | 1.27 | |
| E | 0.291 | 0.299 | 7.40 | 7.60 |
| H | 0.394 | 0.419 | 10.00 | 10.65 |
| h | 0.010 | 0.030 | 0.25 | 0.75 |
| L | 0.016 | 0.050 | 0.40 | 1.27 |

| | INCHES | | MILLIMETERS | | N | MS013 |
|---|--------|-------|-------------|-------|----|-------|
| | MIN | MAX | MIN | MAX | | |
| D | 0.398 | 0.413 | 10.10 | 10.50 | 16 | AA |
| D | 0.447 | 0.463 | 11.35 | 11.75 | 18 | AB |
| D | 0.496 | 0.512 | 12.60 | 13.00 | 20 | AC |
| D | 0.598 | 0.614 | 15.20 | 15.60 | 24 | AD |
| D | 0.697 | 0.713 | 17.70 | 18.10 | 28 | AE |

NOTES:
 1. D&E DO NOT INCLUDE MOLD FLASH
 2. MOLD FLASH OR PROTRUSIONS NOT TO EXCEED 15µm (.0006")
 3. LEADS TO BE COPLANAR WITHIN .102mm (.004")
 4. CONTROLLING DIMENSION MILLIMETER
 5. MEETS JEDEC MS013-XX AS SHOWN IN ABOVE TABLE
 6. N = NUMBER OF PINS

MAXIM PACKAGE FAMILY OUTLINE: SOIC .300" $\frac{1}{1}$ 21-0042 A

| | INCHES | | MILLIMETERS | |
|----|--------|-------|-------------|-------|
| | MIN | MAX | MIN | MAX |
| A | --- | 0.232 | --- | 5.89 |
| B | 0.014 | 0.023 | 0.36 | 0.58 |
| B1 | 0.038 | 0.065 | 0.97 | 1.65 |
| C | 0.008 | 0.015 | 0.20 | 0.38 |
| E | 0.500 | 0.620 | 12.70 | 15.75 |
| E1 | 0.590 | 0.630 | 14.99 | 16.00 |
| e | 0.100 | | 2.54 | |
| L | 0.120 | 0.200 | 3.05 | 5.08 |
| L1 | 0.150 | --- | 3.81 | --- |
| Q | 0.015 | 0.075 | 0.38 | 1.91 |
| S | --- | 0.100 | --- | 2.54 |
| S1 | 0.005 | --- | 0.13 | --- |

| | INCHES | | MILLIMETERS | | N | CASE |
|---|--------|-------|-------------|-------|----|------|
| | MIN | MAX | MIN | MAX | | |
| D | --- | 1.290 | --- | 32.77 | 24 | J-D3 |
| D | --- | 1.490 | --- | 37.85 | 28 | D10 |
| D | --- | 2.096 | --- | 53.24 | 40 | D05 |

NOTES:
 1. CONTROLLING DIMENSION: INCH
 2. MEETS JEDEC CASE OUTLINE CONFIGURATION #1 AS SHOWN IN ABOVE TABLE
 3. N = NUMBER OF PINS

MAXIM PACKAGE FAMILY OUTLINE: CDIP .600" $\frac{1}{1}$ 21-0046 A

Maxim cannot assume responsibility for use of any circuitry other than circuitry entirely embodied in a Maxim product. No circuit patent licenses are implied. Maxim reserves the right to change the circuitry and specifications without notice at any time.

24 Maxim Integrated Products, 120 San Gabriel Drive, Sunnyvale, CA 94086 408-737-7600