

PLEASE CHECK WWW.MOLEX.COM FOR LATEST PART INFORMATION

Part Number: [051111300](#)
Status: **Active**
Description: 2.50mm (.098") Pitch Wire-to-Wire and Wire-to-Board Receptacle Housing, With Retainer, 13 Circuits

Documents:

[Drawing \(PDF\)](#)
[Product Specification PS-51111-001 \(PDF\)](#)
[Product Specification PS-51111-002 \(PDF\)](#)
[Product Specification PS-51111-003 \(PDF\)](#)
[RoHS Certificate of Compliance \(PDF\)](#)

Agency Certification

CSA LR19980
 UL E29179

General

Product Family Crimp Housings
 Series [51111](#)
 Product Name N/A

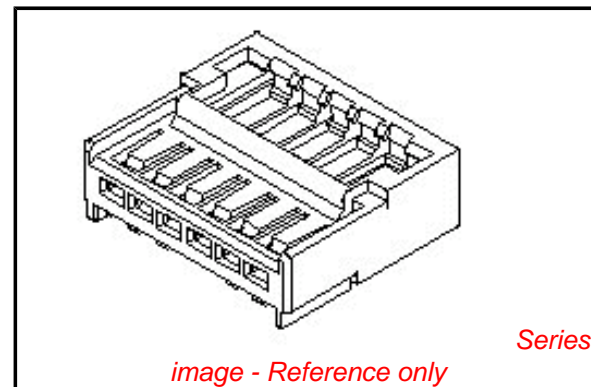
Physical

Circuits (maximum) 13
 Color - Resin Natural
 Flammability 94V-0
 Gender Female
 Glow-Wire Compliant No
 Material - Resin Polyester
 Number of Rows 1
 Packaging Type Bag
 Panel Mount No
 Pitch - Mating Interface (in) 0.098 In
 Pitch - Mating Interface (mm) 2.50 mm
 Stackable No
 Temperature Range - Operating -40°C to +105°C

Material Info

Reference - Drawing Numbers

Product Specification PS-51111-001, PS-51111-002, PS-51111-003, RPS-51111-001, RPS-51111-005, RPS-51111-006, RPS-51111-007
 Sales Drawing SD-51111-**00



EU RoHS

ELV and RoHS Compliant
REACH SVHC
 Not Reviewed
Halogen-Free Status

China RoHS



Not Reviewed

Need more information on product environmental compliance?

Email productcompliance@molex.com
 For a multiple part number RoHS Certificate of Compliance, [click here](#)

Please visit the [Contact Us](#) section for any non-product compliance questions.

Search Parts in this Series

[51111Series](#)

Mates With

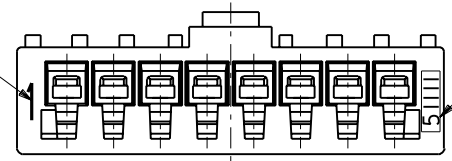
[51112](#) , [51112wr](#) , [53561](#) , [53730](#)

Use With

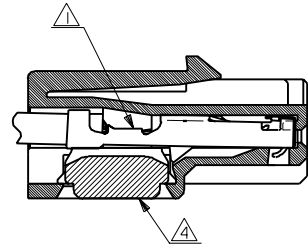
[50397](#) , [51113](#)

DWG. NO. SD-51111-***00

回路番号
CIRCUIT NO. 1



ENG. NO.

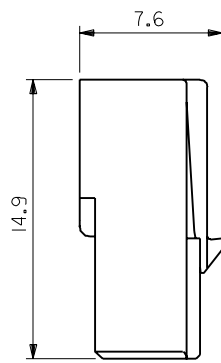
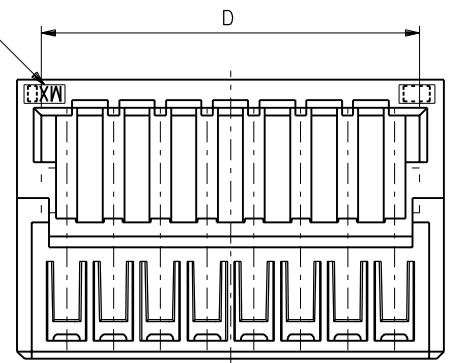


ターミナル及びリテーナー装着状態図
TERMINAL & RETAINER ASSEMBLY DRAWING

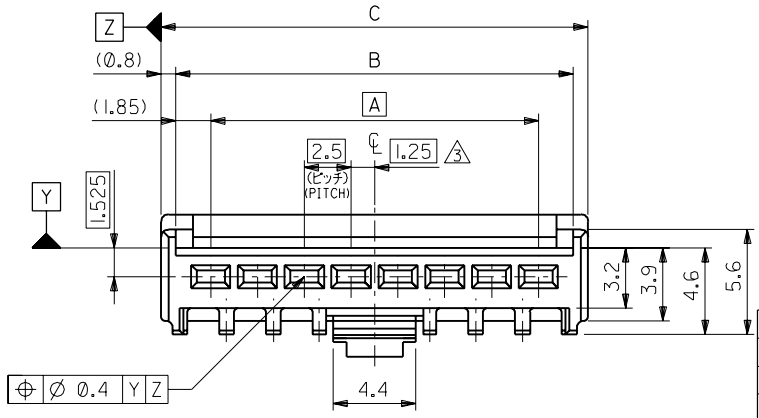
注記 NOTES

- △ 適合ターミナル：50397シリーズ
APPLICABLE TERMINAL：50397 SERIES
- 2. 嵌合相手：51112,53730,53930シリーズ
MATE WITH：51112,53730,53930 SERIES
- △ 偶数極の製品に適用。
APPLY EVEN CIRCUIT PRODUCTS.
- △ 適合リテーナー：51113シリーズ
APPLICABLE RETAINER：51113 SERIES

トレードマーク
TRADE MARK



DIMENSIONS IN METRIC DO NOT SCALE DRAWING



| | | | | | |
|-------|------|------|------|------------|----------------------|
| 37.45 | 40.3 | 38.7 | 35 | 51111-1500 | 15 |
| 34.95 | 37.8 | 36.2 | 32.5 | ▲ -1400 | 14 |
| 32.45 | 35.3 | 33.7 | 30 | -1300 | 13 |
| 29.95 | 32.8 | 31.2 | 27.5 | -1200 | 12 |
| 27.45 | 30.3 | 28.7 | 25 | -1100 | 11 |
| 24.95 | 27.8 | 26.2 | 22.5 | -1000 | 10 |
| 22.45 | 25.3 | 23.7 | 20 | -0900 | 9 |
| 19.95 | 22.8 | 21.2 | 17.5 | -0800 | 8 |
| 17.45 | 20.3 | 18.7 | 15 | -0700 | 7 |
| 14.95 | 17.8 | 16.2 | 12.5 | -0600 | 6 |
| 12.45 | 15.3 | 13.7 | 10 | -0500 | 5 |
| 9.95 | 12.8 | 11.2 | 7.5 | -0400 | 4 |
| 7.45 | 10.3 | 8.7 | 5 | ▼ -0300 | 3 |
| 4.95 | 7.8 | 6.2 | 2.5 | 51111-0200 | 2 |
| D | C | B | A | ENG. NO. | 極数 NO. OF CKT. |

| 角度 ANGLE | ±3° | | | | |
|-------------------------|-------|--------|------------------------|----------|----------|
| 30以上 OVER | +0.3 | B | 変更 REVISD (JC80015) | K.T | '97/7/1 |
| 10以上 30未滿 UNDER | +0.25 | A | 変更 REVISD (J40498) | S.K | '94/6/22 |
| 10未滿 UNDER | +0.2 | 0 | 新規作成 RELEASED (J40072) | K.T | '94/2/2 |
| 一般公差 GENERAL TOLERANCES | | 記号 LTR | 変更内容 REVISION RECORD | DR. CHK. | 日付 DATE |

| | |
|-------------------|--------------------------|
| 材料 MATERIAL | PBTP, UL94V-0 (白色 WHITE) |
| 仕上げ FINISH | — |
| 適用電線範囲 WIRE RANGE | — |
| 被覆外径 INS. RANGE | — |
| DRAWN BY '94/2/2 | CHK'D BY '97/7/7 |
| K.TOJO | S.KUNISHI |
| APP'D BY '97/7/7 | M.FUKUSHIMA |
| 尺度 SCALE | 4 : 1 |

molex MOLEX-JAPAN CO.,LTD.
日本モレックス株式会社

REVISE ONLY ON CAD SYSTEM

TITLE 名称
2.5 WIRE TO WIRE CONN.
RECEPTACLE HOUSING
WITH RETAINER

DWG. NO. SD-51111-***00

REV B