

PLEASE CHECK WWW.MOLEX.COM FOR LATEST PART INFORMATION

Part Number: [0945095420](#)
Status: **Active**
Description: Housing for Straight Fork Terminal, 4 Circuits, Polarization B

Documents:

[Drawing \(PDF\)](#) [RoHS Certificate of Compliance \(PDF\)](#)
[Product Specification PS-94509-002 \(PDF\)](#)

General

Product Family Crimp Housings
 Series [94509](#)
 Product Name Pitch 5 Edge Card

Physical

Breakaway No
 Circuits (maximum) 4
 Color - Resin Natural
 Gender Female
 Glow-Wire Compliant No
 Material - Resin Nylon
 Number of Rows 1
 Packaging Type Bag
 Panel Mount No
 Pitch - Mating Interface (in) 0.197 In
 Pitch - Mating Interface (mm) 5.00 mm
 Pitch - Term. Interface (in) 0.197 In
 Pitch - Term. Interface (mm) 5.00 mm
 Polarized to Mating Part Yes
 Ports 1
 Stackable No
 Temperature Range - Operating -30°C TO +80°C

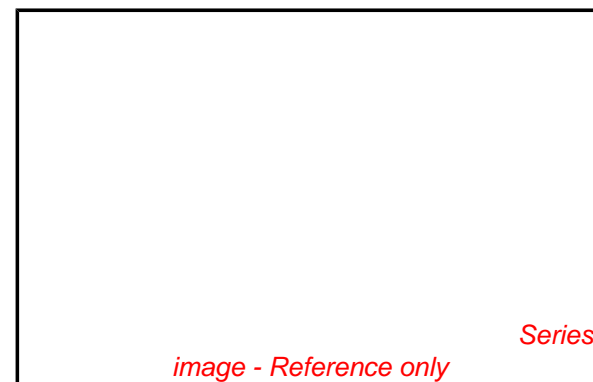
Electrical

Current - Maximum per Contact 3A, 6A

Material Info

Reference - Drawing Numbers

Product Specification PS-94509-002
 Sales Drawing SD-94509-003



EU RoHS

**ELV and RoHS
 Compliant**
REACH SVHC
 Not Reviewed
**Halogen-Free
 Status**
 Not Reviewed

China RoHS



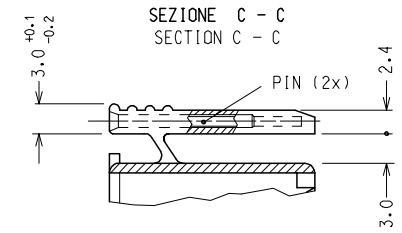
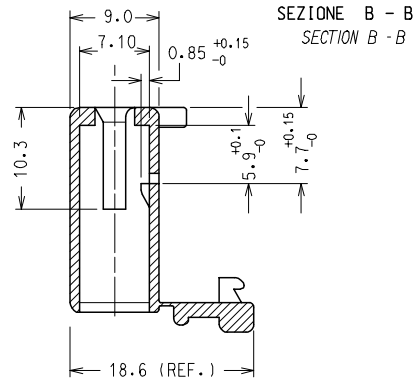
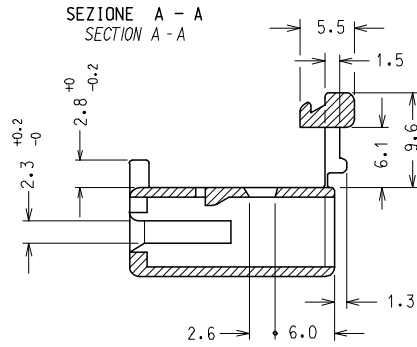
**Need more information on product
 environmental compliance?**

Email productcompliance@molex.com
 For a multiple part number RoHS Certificate of
 Compliance, [click here](#)

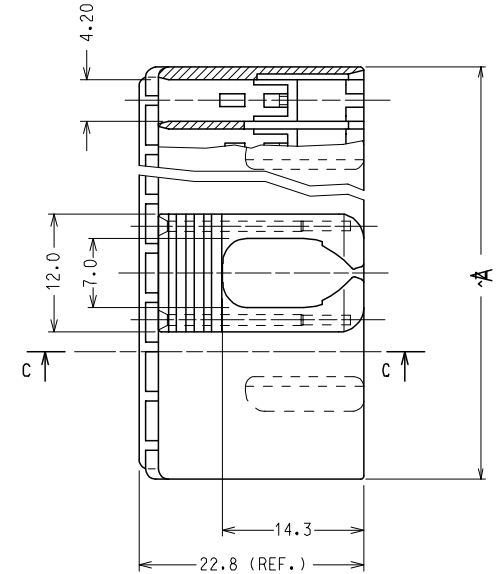
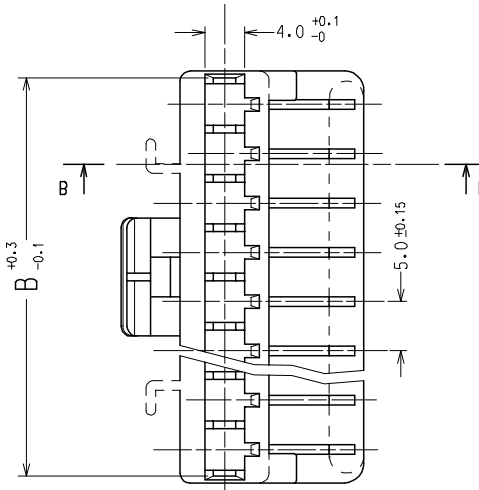
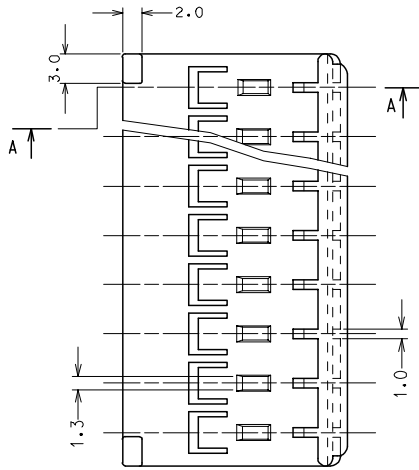
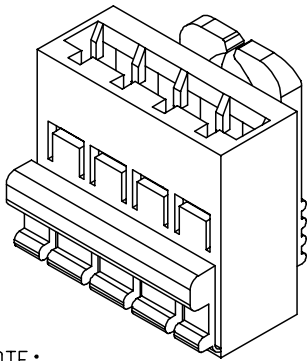
Please visit the [Contact Us](#) section for any
 non-product compliance questions.

Search Parts in this Series

[94509Series](#)



VISTA DELL'HOUSING CON SECONDARY LOCK CHIUSO
VIEW OF THE HOUSING WITH THE SEC. LOCK IN LOCKED POSITION



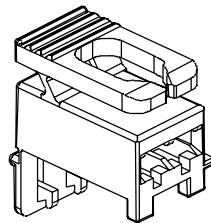
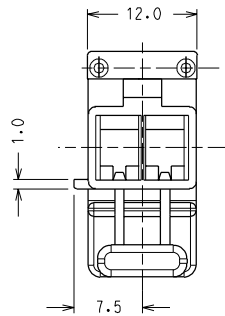
NOTE:

- 1) MATERIALI/ MATERIALS: HOUSING: NYLON 66 NATURALE/PA 66 NATURAL COLOR
PIN: ACCIAIO INOX/STAINLESS STEEL
- 2) PER CODICI, POLARIZZAZIONI, MARCATURE E PACKAGING VEDERE FOGLI SEGUENTI
FOR PART NOS, POLARIZATIONS, MARKINGS AND PACKAGING SEE THE FOLLOWING SHEETS
- 3) LE DIMENSIONI VANNO MISURATE CON CORPI STABILIZZATI SECONDO NG 2301
(AUMENTO IN PESO DEL 2.7 %)
PARTS SHALL BE DIMENSIONALLY CHECKED AFTER ATTAINING EQUILIBRIUM CONDITIONS
E.G. 2.7 % INCREASE IN WEIGHT FOR HUMIDITY ABSORPTION FROM DRY STATUS
- 4) CARATTERISTICHE SECONDO PS 94509
PRODUCT CHARACTERISTICS ACCORDING TO PS 94509 E
- 5) VEDERE FOGLIO 10/10 PER INFORMAZIONI SULLA CONFEZIONE
SEE SHEET 10/10 FOR INFORMATION REGARDING THE PACKAGING

N.° VIE CKT.	2	3	4	5	6	7	8
A	11.8	16.8	21.8	26.8	31.8	36.8	41.8
B	10.4	15.4	20.4	25.4	30.4	35.4	40.4

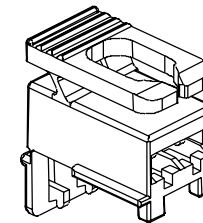
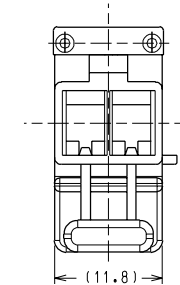
EC NO: Z2005-00E0 DRWN:FGOTTARD 2004/09/23 CHKD:RSANDANO 2004/09/23 APPR:GZUIN 2004/09/23	QUALITY SYMBOLS ▽=0 ▽=0	GENERAL TOLERANCES (UNLESS SPECIFIED)		DIMENSION STYLE MM ONLY	SCALE 2:1	DESIGN UNITS METRIC	FIRST ANGLE PROJECTION
		4 PLACES ± --- ± --- 3 PLACES ± --- ± --- 2 PLACES ± 0.1 ± --- 1 PLACE ± 0.2 ± --- ANGULAR ± 2 °	DRAWN BY SBARBIER DATE 1991/01/23	TITLE HOUSING FOR STRAIGHT FORK TERMINAL (WITH STEEL PINS)			
		DRAFT WHERE APPLICABLE MUST REMAIN WITHIN DIMENSIONS	CHECKED BY DATE	MOLEX INCORPORATED			
		SEE CHART	APPROVED BY MPREVIAT DATE 1991/01/24	DOCUMENT NO. SD-94509-003	SHEET NO. 1 OF 10		

HOUSINGS A 2 VIE: / 2 CKT HOUSINGS:



POLARIZZAZIONE TIPO "A"
TYPE "A" POLARIZATION

N.° VIE	CODICE HOUSING/TIPO POLARIZZAZIONE HOUSING P/N / POLARIZATION	
CKT No.	A	B
2	94509-5210	94509-5220

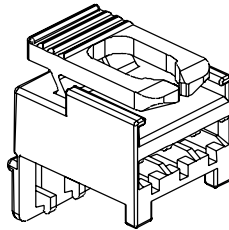
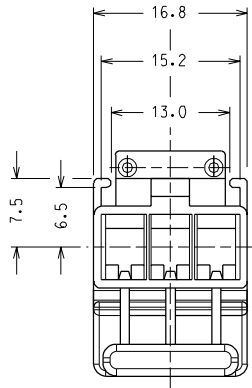


POLARIZZAZIONE TIPO "B"
TYPE "B" POLARIZATION

NOTA: QUESTA VERSIONE E' FORNITA SENZA PIOLINI IN ACCIAIO
NOTE: THIS VERSION IS SUPPLIED WITHOUT STEEL PINS

EC NO. Z9-065 DRWNS. BARBIERI 08-10-98 CHK: S. SDRATO 08-10-98 APPR: R. MARTUCCI 08-10-98	QUALITY SYMBOLS MAJOR M = SIGNIF. S = CRITICAL C =	GENERAL TOLERANCES: (UNLESS SPECIFIED)		SCALE 2:1	DESIGN UNITS <input checked="" type="checkbox"/> mm <input type="checkbox"/> INCH	DIMENSIONS: <input type="checkbox"/> mm <input type="checkbox"/> INCH <input type="checkbox"/> mm <input checked="" type="checkbox"/> ONLY	SHT	REV
		4 PLACES ±0.1	±0.1	DRAWN BY & DATE S. BARBIERI 23-01-91	TITLE: HOUSING PER TERM. A FORCELLA DIRITTO (CON PINS IN ACCIAIO) HOUSING FOR STRAIGHT FORK TERMINAL (WITH STEEL PINS)			
B	REV	3 PLACES ±0.2	±0.2	CHECKED BY & DATE	APPROVED BY & DATE M. PREVIATO 24-01-91			
		2 PLACES ±0.1	±0.1	APPROVED BY & DATE M. PREVIATO 24-01-91		MATERIAL NO. DRAWING NO. SHEET NO. SEE TABLES SD-94509-003 2/10		
		1 PLACE ±0.2	±0.2	CAD FILENAME 94509003.S01	THIS DRAWING CONTAINS INFORMATION THAT IS PROPRIETARY TO MOLEX INCORPORATED AND SHOULD NOT BE USED WITHOUT WRITTEN PERMISSION.			
		ANGULAR: ± 2°		DRAFT WHERE APPLICABLE MUST REMAIN WITHIN DIMENSIONS		SIZE A3		

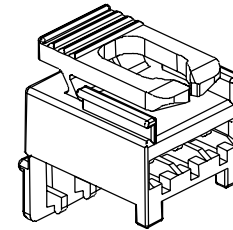
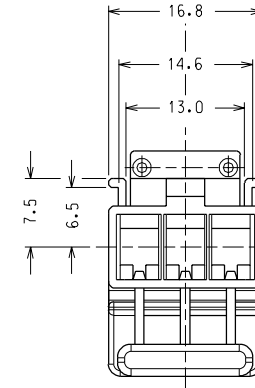
HOUSINGS A 3 VIE: / 3 CKT HOUSINGS:



POLARIZZAZIONE TIPO "A"
TYPE "A" POLARIZATION

N.° VIE	CODICE HOUSING/TIPO POLARIZZAZIONE HOUSING P/N / POLARIZATION	
	A	B
CKT No.	3	3
	94509-5310 *	94509-5320

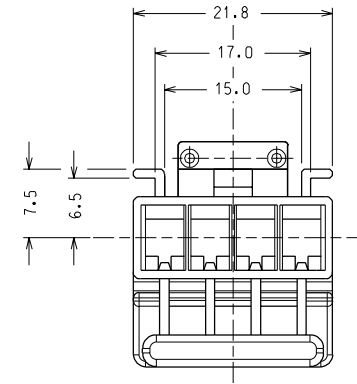
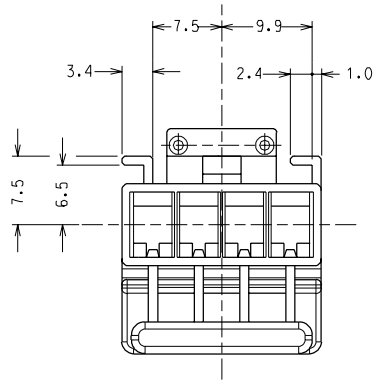
* VERSIONE NON ATTEZZATA
NOT TOOLED



POLARIZZAZIONE TIPO "B"
TYPE "B" POLARIZATION

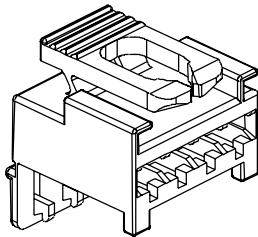
EC NO. Z9-065 DRWNS. BARBIERI 08-10-98 CHK: S. SORATO 08-10-98 APPR: R. MARTUCCI 08-10-98	QUALITY SYMBOLS MAJOR M = SIGNIF. S = CRITICAL C =	GENERAL TOLERANCES: (UNLESS SPECIFIED)		SCALE 2:1	DESIGN UNITS <input checked="" type="checkbox"/> mm <input type="checkbox"/> INCH	DIMENSIONS: <input type="checkbox"/> mm <input type="checkbox"/> INCH <input type="checkbox"/> mm <input checked="" type="checkbox"/> ONLY	SHT	REV
		4 PLACES ±0.1	±0.1	DRAWN BY & DATE S. BARBIERI 23-01-91	FIRST ANGLE PROJECTION	TITLE: HOUSING PER TERM. A FORCELLA DIRITTO (CON PINS IN ACCIAIO) HOUSING FOR STRAIGHT FORK TERMINAL (WITH STEEL PINS)		REVISION ON CAD ONLY
B	REV	3 PLACES ±0.2	±0.2	CHECKED BY & DATE	APPROVED BY & DATE M. PREVIATO 24-01-91	MATERIAL NO. SEE TABLES	DRAWING NO. SD-94509-003	SHEET NO. 3/10
		2 PLACES ±0.1	±0.1	ANGULAR: ± 2°	CAD FILENAME 94509003.S02			
		1 PLACE ±0.2	±0.2	DRAFT WHERE APPLICABLE MUST REMAIN WITHIN DIMENSIONS				

HOUSINGS A 4 VIE: / 4 CKT HOUSINGS:

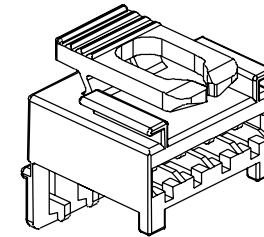


N.° VIE	CODICE HOUSING/TIPO POLARIZZAZIONE	
	HOUSING P/N / POLARIZATION	
CKT No.	A	B
4	94509-5410 *	94509-5420

* VERSIONE NON ATTREZZATA
NOT TOOLED



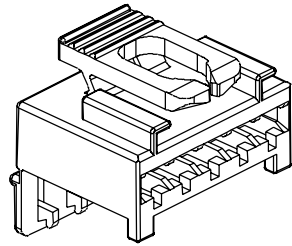
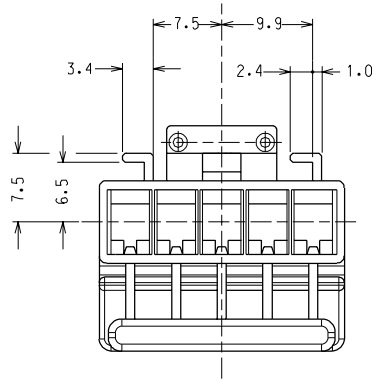
POLARIZZAZIONE TIPO "A"
TYPE "A" POLARIZATION



POLARIZZAZIONE TIPO "B"
TYPE "B" POLARIZATION

EC NO. Z9-065 DRWNS. BARBIERI 08-10-98 CHK: S. SDRATO 08-10-98 APPR: R. MARTUCCI 08-10-98	QUALITY SYMBOLS	GENERAL TOLERANCES: (UNLESS SPECIFIED)		SCALE 2:1	DESIGN UNITS <input checked="" type="checkbox"/> mm <input type="checkbox"/> INCH	DIMENSIONS: <input type="checkbox"/> mm <input type="checkbox"/> INCH <input type="checkbox"/> mm <input checked="" type="checkbox"/> ONLY	SHT	REV
	MAJOR $\nabla_M =$	mm	INCH	DRAWN BY & DATE	FIRST ANGLE PROJECTION	TITLE: HOUSING PER TERM. A FORCELLA DIRITTO (CON PINS IN ACCIAIO) HOUSING FOR STRAIGHT FORK TERMINAL (WITH STEEL PINS)		
	3 PLACES ± 0.2			S. BARBIERI 23-01-91				
	SIGNIF. $\nabla_S =$			2 PLACES ± 0.1	CHECKED BY & DATE	MATERIAL NO. SEE TABLES	DRAWING NO. SD-94509-003	SHEET NO. 4/10
CRITICAL $\nabla_C =$			1 PLACE ± 0.2	APPROVED BY & DATE				
REV			ANGULAR: $\pm 2^\circ$	M. PREVIATO 24-01-91	MOLEX INCORPORATED			
B			DRAFT WHERE APPLICABLE MUST REMAIN WITHIN DIMENSIONS	CAD FILENAME 94509003.S03	THIS DRAWING CONTAINS INFORMATION THAT IS PROPRIETARY TO MOLEX INCORPORATED AND SHOULD NOT BE USED WITHOUT WRITTEN PERMISSION.			SIZE A3

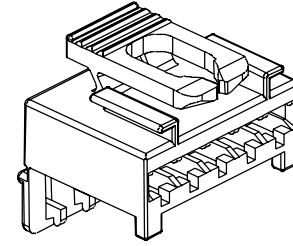
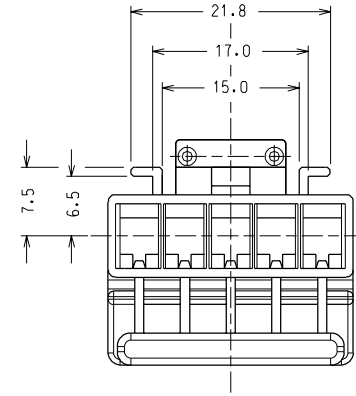
HOUSINGS A 5 VIE: / 5 CKT HOUSINGS:



POLARIZZAZIONE TIPO "A"
TYPE "A" POLARIZATION

N.° VIE	CODICE HOUSING/TIPO POLARIZZAZIONE <i>HOUSING P/N / POLARIZATION</i>	
CKT No.	A	B
5	94509-5510 *	94509-5520

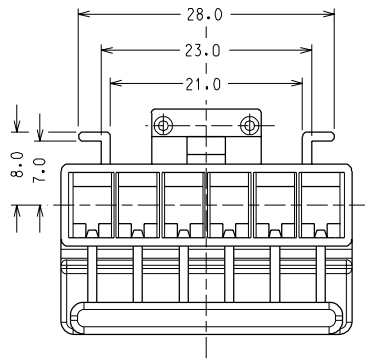
* VERSIONE NON ATTREZZATA
NOT TOOLED



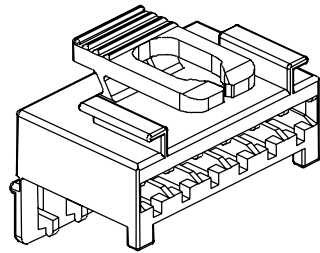
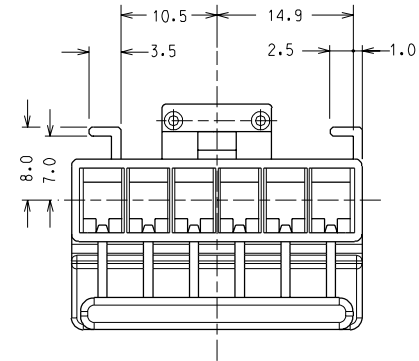
POLARIZZAZIONE TIPO "B"
TYPE "B" POLARIZATION

EC NO. Z9-065 DRWNS. BARBIERI 08-10-98 CHK: S. SDRATO 08-10-98 APPR: R. MARTUCCI 08-10-98	QUALITY SYMBOLS MAJOR M SIGNIF. S CRITICAL C	GENERAL TOLERANCES: (UNLESS SPECIFIED)		SCALE 2:1	DESIGN UNITS <input checked="" type="checkbox"/> mm <input type="checkbox"/> INCH	DIMENSIONS: <input type="checkbox"/> mm <input type="checkbox"/> INCH <input type="checkbox"/> mm <input checked="" type="checkbox"/> ONLY	SHT	REV
		4 PLACES ±0.1	±0.1	DRAWN BY & DATE S. BARBIERI 20-12-95	FIRST ANGLE PROJECTION	TITLE: HOUSING PER TERM. A FORCELLA DIRITTO (CON PINS IN ACCIAIO) HOUSING FOR STRAIGHT FORK TERMINAL (WITH STEEL PINS)		REVISE ON CAD ONLY
B	REV	3 PLACES ±0.2	±0.2	CHECKED BY & DATE	APPROVED BY & DATE M. PREVIATO 20-12-95	MATERIAL NO. SEE TABLES	DRAWING NO. SD-94509-003	SHEET NO. 5/10
		2 PLACES ±0.1	±0.1	ANGULAR: ± 2°	CAD FILENAME 94509003.S04			
		1 PLACE ±0.2	±0.2	DRAFT WHERE APPLICABLE MUST REMAIN WITHIN DIMENSIONS		THIS DRAWING CONTAINS INFORMATION THAT IS PROPRIETARY TO MOLEX INCORPORATED AND SHOULD NOT BE USED WITHOUT WRITTEN PERMISSION.		

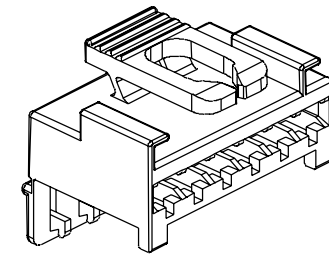
HOUSINGS A 6 VIE: / 6 CKT HOUSINGS:



N.° VIE	CODICE HOUSING/TIPO POLARIZZAZIONE	
CKT No.	HOUSING P/N / POLARIZATION	
	A	B
6	94509-5610	94509-5620



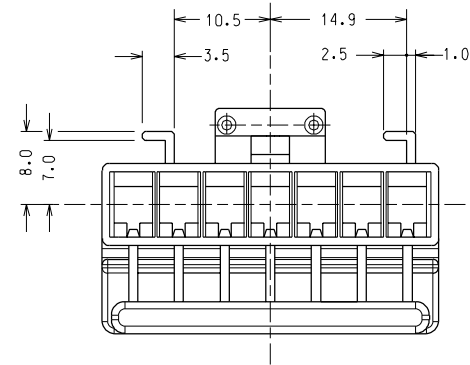
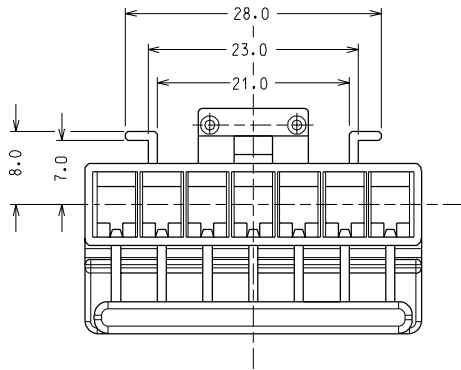
POLARIZZAZIONE TIPO "A"
TYPE "A" POLARIZATION



POLARIZZAZIONE TIPO "B"
TYPE "B" POLARIZATION

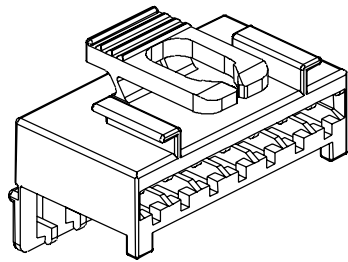
EC NO. Z9-065 DRWNS. BARBIERI 08-10-98 CHK: S. SDRATO 08-10-98 APPR: R. MARTUCCI 08-10-98	QUALITY SYMBOLS MAJOR M = SIGNIF. S = CRITICAL C =	GENERAL TOLERANCES: (UNLESS SPECIFIED)		SCALE 2:1	DESIGN UNITS <input checked="" type="checkbox"/> mm <input type="checkbox"/> INCH	DIMENSIONS: <input type="checkbox"/> mm <input type="checkbox"/> INCH <input checked="" type="checkbox"/> mm ONLY	SHT	REV	
		4 PLACES ±0.1	±0.1	DRAWN BY & DATE S. BARBIERI 23-01-91	TITLE: HOUSING PER TERM. A FORCELLA DIRITTO (CON PINS IN ACCIAIO) HOUSING FOR STRAIGHT FORK TERMINAL (WITH STEEL PINS)				
B	REV	3 PLACES ±0.2	±0.2	CHECKED BY & DATE	APPROVED BY & DATE M. PREVIATO 24-01-91				
		2 PLACES ±0.1	±0.1	APPROVED BY & DATE	MATERIAL NO. DRAWING NO. SHEET NO. SEE TABLES SD-94509-003 6/10				
		1 PLACE ±0.2	±0.2	CAD FILENAME 94509003.S05	THIS DRAWING CONTAINS INFORMATION THAT IS PROPRIETARY TO MOLEX INCORPORATED AND SHOULD NOT BE USED WITHOUT WRITTEN PERMISSION.				
		ANGULAR: ± 2°		DRAFT WHERE APPLICABLE MUST REMAIN WITHIN DIMENSIONS				SIZE A3	

HOUSINGS A 7 VIE: / 7 CKT HOUSINGS:

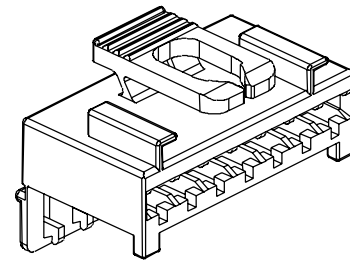


N.° VIE	CODICE HOUSING/TIPO POLARIZZAZIONE	
CKT No.	HOUSING P/N / POLARIZATION	
	A	B
7	94509-5710 *	94509-5720 *

* VERSIONE NON ATTREZZATA
NOT TOOLED



POLARIZZAZIONE TIPO "A"
TYPE "A" POLARIZATION



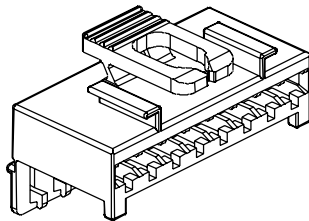
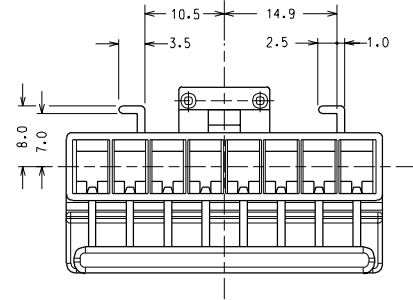
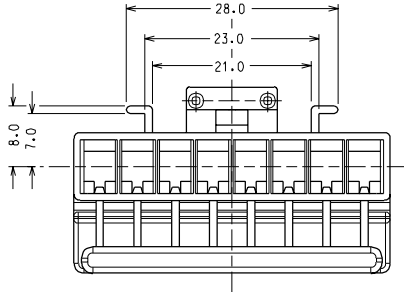
POLARIZZAZIONE TIPO "B"
TYPE "B" POLARIZATION

EC NO. Z9-065 DRWNS. BARBIERI 08-10-98 CHK: S. SDRATO 08-10-98 APPR: R. MARTUCCI 08-10-98	QUALITY SYMBOLS MAJOR M = SIGNIF. S = CRITICAL C =	GENERAL TOLERANCES: (UNLESS SPECIFIED)		SCALE 2:1	DESIGN UNITS <input checked="" type="checkbox"/> mm <input type="checkbox"/> INCH	DIMENSIONS: <input type="checkbox"/> mm <input type="checkbox"/> INCH <input checked="" type="checkbox"/> mm ONLY	SHT	REV
		4 PLACES ±0.1	±0.1	DRAWN BY & DATE S. BARBIERI 23-01-91	TITLE: HOUSING PER TERM. A FORCELLA DIRITTO (CON PINS IN ACCIAIO) HOUSING FOR STRAIGHT FORK TERMINAL (WITH STEEL PINS)			
B	REV	3 PLACES ±0.2	±0.2	CHECKED BY & DATE	APPROVED BY & DATE M. PREVIATO 24-01-91			
		2 PLACES ±0.1	±0.1	ANGULAR: ± 2°	CAD FILENAME 94509003.S06		MATERIAL NO. DRAWING NO. SEE TABLES SD-94509-003	
DRAFT WHERE APPLICABLE MUST REMAIN WITHIN DIMENSIONS		THIS DRAWING CONTAINS INFORMATION THAT IS PROPRIETARY TO MOLEX INCORPORATED AND SHOULD NOT BE USED WITHOUT WRITTEN PERMISSION.		SIZE A3				

HOUSINGS A 8 VIE: / 8 CKT HOUSINGS:

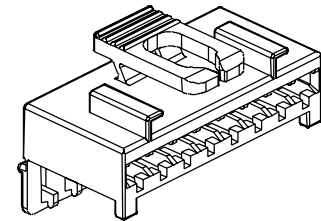
(VEDERE ANCHE FOGLIO SEGUENTE)

(SEE ALSO THE FOLLOWING SHEET)



POLARIZZAZIONE TIPO "A"
TYPE "A" POLARIZATION

N.° VIE	CODICE HOUSING/TIPO POLARIZZAZIONE HOUSING P/N / POLARIZATION	
CKT No.	A	B
8	94509-5810	94509-5820



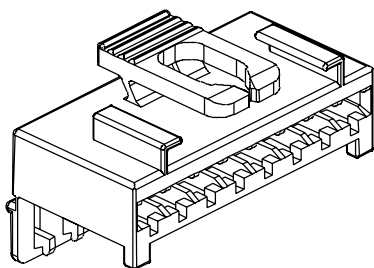
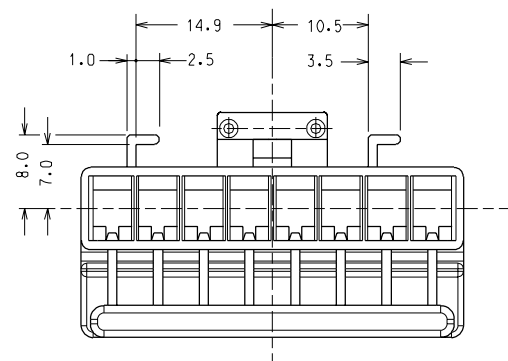
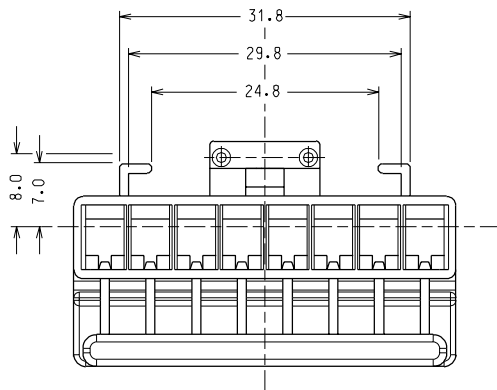
POLARIZZAZIONE TIPO "B"
TYPE "B" POLARIZATION

EC NO. Z9-065 DRAWING: BARBERI 08-10-98 CHK: S. SOPRATO 08-10-98 APPR: R. MARUCCI 08-10-98	QUALITY SYMBOLS MAJOR M SIGNIF. S CRITICAL C	DESCRIPTION	GENERAL TOLERANCES: (UNLESS SPECIFIED)		SCALE	DESIGN UNITS	DIMENSIONS: <input type="checkbox"/> mm <input type="checkbox"/> INCH <input checked="" type="checkbox"/> mm ONLY	SHT	REV	
			mm	INCH	2:1	<input checked="" type="checkbox"/> mm <input type="checkbox"/> INCH				REVISE ON CAD ONLY
B	REV	DRAFT WHERE APPLICABLE MUST REMAIN WITHIN DIMENSIONS	4 PLACES	±0.1	±.	DRAWN BY & DATE	TITLE: HOUSING PER TERM. A FORCELLA DIRITTO (CON PINS IN ACCIAIO) HOUSING FOR STRAIGHT FORK TERMINAL (WITH STEEL PINS)	MATERIAL NO.	DRAWING NO.	SHEET NO.
			3 PLACES	±0.1	±.	S. BARBERI 23-01-91				
			2 PLACES	±0.1	±.	CHECKED BY & DATE	MOLEX INCORPORATED	SIZE	A3	
			1 PLACE	±0.2	±.	APPROVED BY & DATE				
			ANGULAR: ± 2°		M. PREVIATO 24-01-91	CAD FILENAME				
					94509003.S07					
THIS DRAWING CONTAINS INFORMATION THAT IS PROPRIETARY TO MOLEX INCORPORATED AND SHOULD NOT BE USED WITHOUT WRITTEN PERMISSION.										

HOUSINGS A 8 VIE: / 8 CKT HOUSINGS:

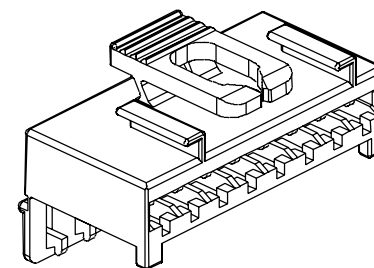
(VEDERE ANCHE FOGLIO PRECEDENTE)

(SEE ALSO THE PREVIOUS SHEET)



POLARIZZAZIONE TIPO "C"
TYPE "C" POLARIZATION

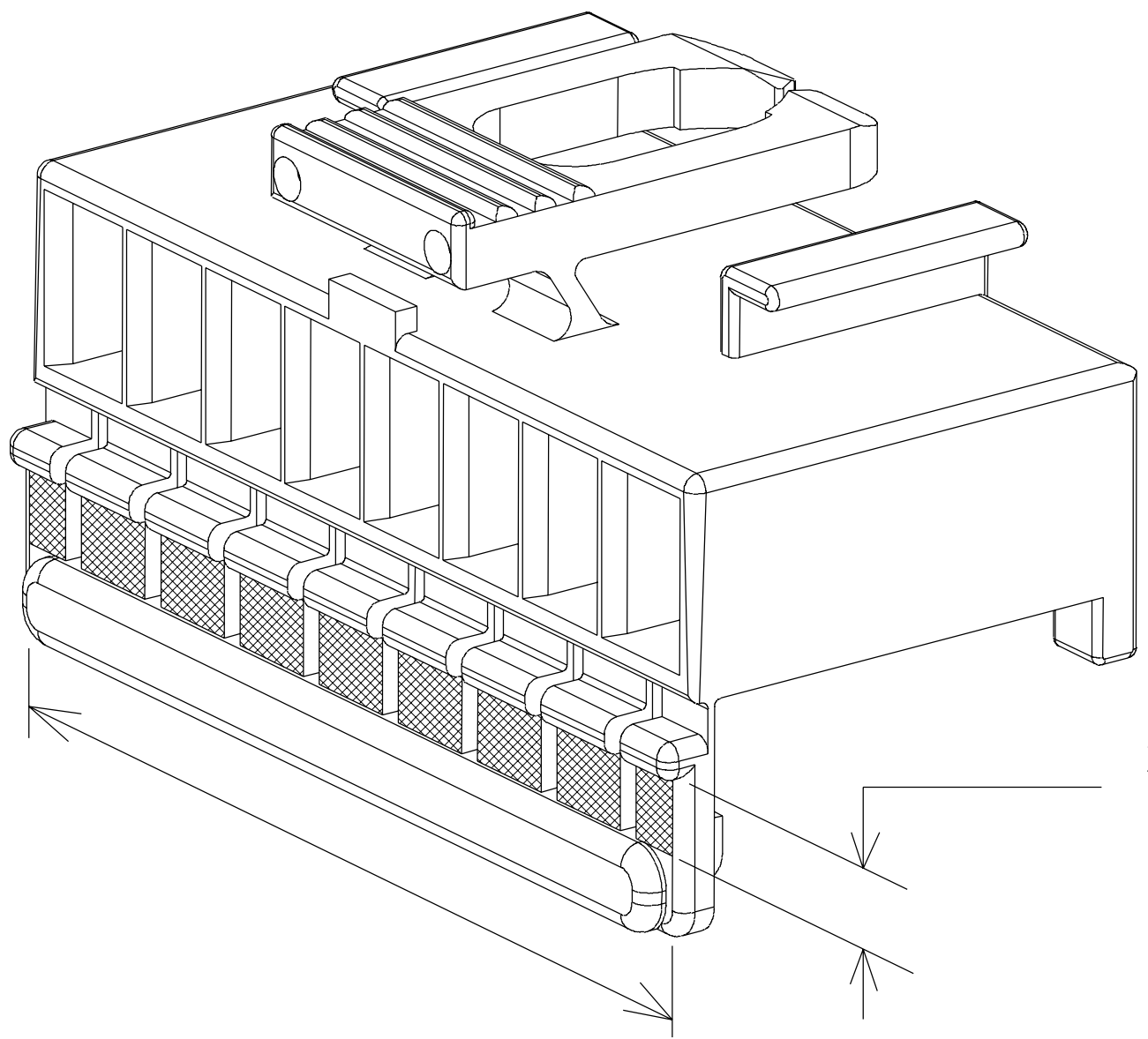
N.° VIE	CODICE HOUSING/TIPO POLARIZZAZIONE	
CKT No.	HOUSING P/N / POLARIZATION	
	C	D
8	94509-5830	94509-5840



POLARIZZAZIONE TIPO "D"
TYPE "D" POLARIZATION

EC NO. Z9-065 DRWNS. BARBIERI 08-10-98 CHK: S. SORATO 08-10-98 APPR: R. MARTUCCI 08-10-98	QUALITY SYMBOLS MAJOR M = SIGNIF. S = CRITICAL C =	GENERAL TOLERANCES: (UNLESS SPECIFIED)		SCALE 2:1	DESIGN UNITS <input checked="" type="checkbox"/> mm <input type="checkbox"/> INCH	DIMENSIONS: <input type="checkbox"/> mm <input type="checkbox"/> INCH <input checked="" type="checkbox"/> mm ONLY	SHT	REV
		4 PLACES ±0.1	±0.2	DRAWN BY & DATE S. BARBIERI 23-01-91	FIRST ANGLE PROJECTION	TITLE: HOUSING PER TERM. A FORCELLA DIRITTO (CON PINS IN ACCIAIO) HOUSING FOR STRAIGHT FORK TERMINAL (WITH STEEL PINS)		
B	REV	3 PLACES ±0.2	±0.3	CHECKED BY & DATE	APPROVED BY & DATE M. PREVIATO 24-01-91	MATERIAL NO. SEE TABLES	DRAWING NO. SD-94509-003	SHEET NO. 9/10
		2 PLACES ±0.1	±0.2	ANGULAR: ± 2°	CAD FILENAME 94509003.S08			
		1 PLACE ±0.2	±0.3	DRAFT WHERE APPLICABLE MUST REMAIN WITHIN DIMENSIONS		THIS DRAWING CONTAINS INFORMATION THAT IS PROPRIETARY TO MOLEX INCORPORATED AND SHOULD NOT BE USED WITHOUT WRITTEN PERMISSION.		

MARCATURE CON BANDA COLORATA
COLOR MARKING



ZONA COLORATA
MARKED AREA

CONFEZIONE - PACKAGING

I PEZZI SONO CONFEZIONATI IN SACCHETTI DI PLASTICA POSTI IN SCATOLE DI CARTONE
PARTS ARE PACKED IN PLASTIC BAGS PUT IN CARTON BOXES

CKT No.	HOUSING P/N - POLARIZATION				STD PACK. QUANTITY
	A	B	C	D	
2	94509-5210	94509-5220			7500
3	94509-5310	94509-5320			5500
4	94509-5410	94509-5420			3000
5	94509-5510	94509-5520			3300
6	94509-5610	94509-5620			2800
7	94509-5710	94509-5720			1500
8	94509-5810	94509-5820	94509-5830	94509-5840	2000

CKT No.	HOUSING P/N	POLARIZATION	COLOR
6	94509-5610	A	—
	94509-5620	B	ROSSO/ RED
8	94509-5810	A	—
	94509-5820	B	ROSSO/ RED
	94509-5830	C	BLU/ BLUE
	94509-5840	D	NERO/ BLACK

EC NO. SEE SHT 1 DRWN: CHK: APPR:	DESCRIPTION	QUALITY SYMBOLS	GENERAL TOLERANCES: (UNLESS SPECIFIED)	SCALE 2:1	DESIGN UNITS <input checked="" type="checkbox"/> mm <input type="checkbox"/> INCH	FIRST ANGLE PROJECTION <input checked="" type="checkbox"/> <input type="checkbox"/>	DIMENSIONS: <input type="checkbox"/> mm <input type="checkbox"/> INCH <input checked="" type="checkbox"/> mm ONLY	SHT	REV
		MAJOR M =	4 PLACES ±0. mm ±. INCH	DRAWN BY & DATE	TITLE: HOUSING PER TERM. A FORCELLA DIRITTO (CON PINS IN ACCIAIO) HOUSING FOR STRAIGHT FORK TERMINAL (WITH STEEL PINS)				
		SIGNIF. S =	3 PLACES ±0. mm ±. INCH	S. BARBIERI 05-02-98	MOLEX INCORPORATED				
REV	CRITICAL C =	2 PLACES ±0.1 mm ±. INCH	2 PLACES ±0.1 mm ±. INCH	APPROVED BY & DATE	CAD FILENAME	MATERIAL NO.	DRAWING NO.	SHEET NO.	
		1 PLACE ±0.2 mm ±. INCH	1 PLACE ±0.2 mm ±. INCH	R. MARTUCCI 06-02-98	94509003.S09	SEE TABLES	SD-94509-003	10/10	
B3		DRAFT WHERE APPLICABLE MUST REMAIN WITHIN DIMENSIONS		THIS DRAWING CONTAINS INFORMATION THAT IS PROPRIETARY TO MOLEX INCORPORATED AND SHOULD NOT BE USED WITHOUT WRITTEN PERMISSION.				SIZE A3	