

**PLEASE CHECK WWW.MOLEX.COM FOR LATEST PART INFORMATION**

**Part Number:** [0496240695](#)  
**Status:** **Active**  
**Description:** 4.20mm (.165") Wire-to-Wire TPA™ Connector for Female Housing, 6 Circuits, UL94V-0, Ivory

**Documents:**

[3D Model](#) [Product Specification PS-49624-001 \(PDF\)](#)  
[Drawing \(PDF\)](#) [RoHS Certificate of Compliance \(PDF\)](#)

**Agency Certification**

UL E29179

**General**

Product Family Crimp Housings  
 Series [49624](#)  
 Product Name N/A

**Physical**

Circuits (maximum) 6  
 Circuits Detail 6  
 Color - Resin Ivory  
 Flammability 94V-0  
 Gender Female  
 Glow-Wire Compliant No  
 Keying to Mating Part None  
 Lock to Mating Part Yes  
 Material - Resin Nylon  
 Number of Rows 2  
 Packaging Type Bag  
 Panel Mount No  
 Pitch - Mating Interface (in) 0.165 In  
 Pitch - Mating Interface (mm) 4.20 mm  
 Polarized to Mating Part Yes  
 Stackable No  
 Temperature Range - Operating -40°C to +105°C

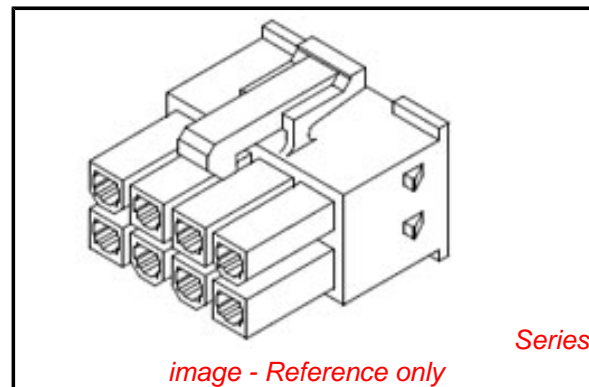
**Electrical**

Current - Maximum per Contact 6A

**Material Info**

**Reference - Drawing Numbers**

Product Specification PS-49624-001  
 Sales Drawing SD-49624-001



**EU RoHS**

**ELV and RoHS  
 Compliant**  
**REACH SVHC  
 Contains SVHC: No**  
**Halogen-Free  
 Status**

**China RoHS**



**Need more information on product  
 environmental compliance?**

Email [productcompliance@molex.com](mailto:productcompliance@molex.com)  
 For a multiple part number RoHS Certificate of  
 Compliance, [click here](#)

Please visit the [Contact Us](#) section for any  
 non-product compliance questions.

**Search Parts in this Series**

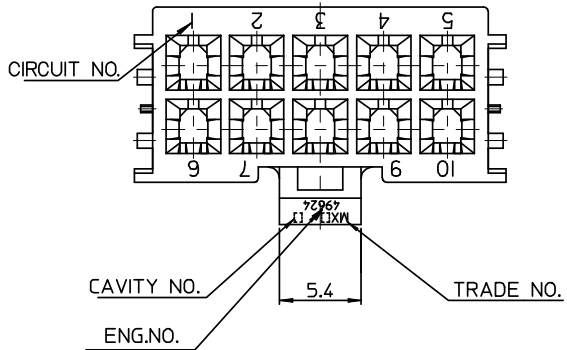
[49624Series](#)

**Mates With**

4.20mm (.165") Wire-to-Wire Male TPA™  
[49623](#) , [49627](#)

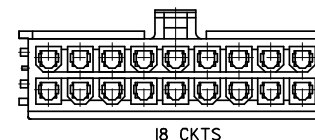
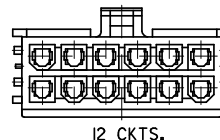
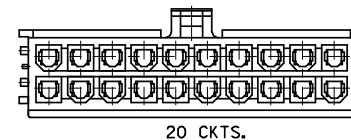
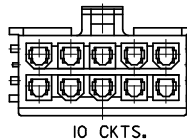
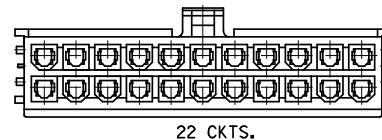
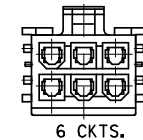
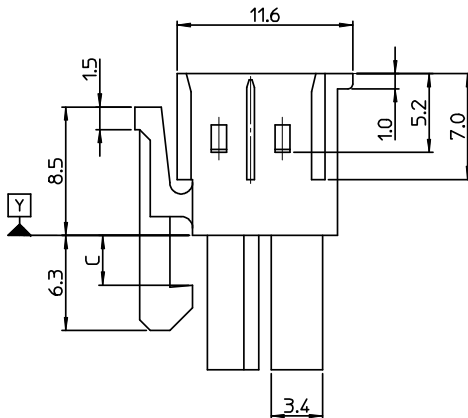
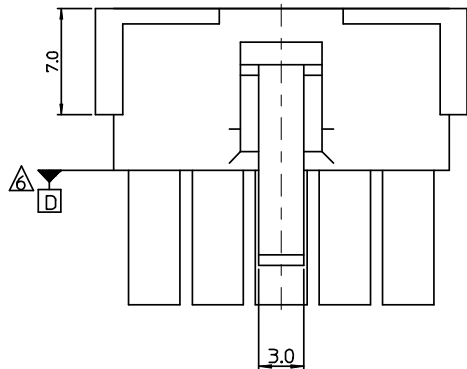
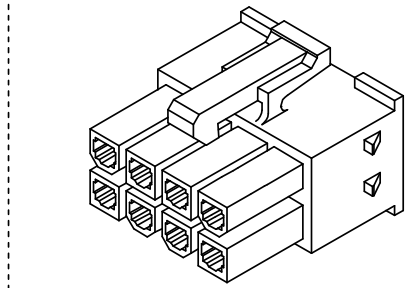
**Use With**

[5556](#) Mini-Fit® Crimp Terminal



NOTES

1. MATERIAL :
  - POLYAMID(PA66), UL94V-2, COLOR OF NATURAL
  - POLYAMID(PA66), UL94V-0, COLOR OF IVORY
2. APPLICABLE TERMINAL : SERIES 5556 T2A, 5556 T
3. MATE WITH : SERIES 49623, 49627
4. PRODUCT SPECIFICATION : PS-49623-001
5. PACKAGE SPECIFICATION : PK-49623-001
6. TO BE MEASURED AT POSITIONOF "D" SURFACE



CIRCUIT SIZE LAYOUT

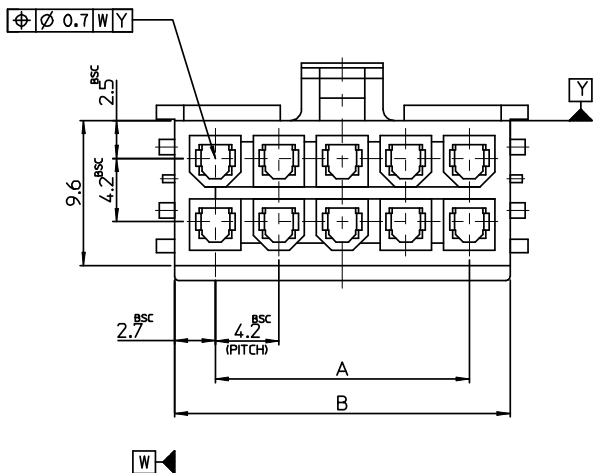


TABLE-1

49624-2295	496242295	49624-2290	496242290	22
49624-2095	496242095	49624-2090	496242090	20
49624-1895	496241895	49624-1890	496241890	18
49624-1295	496241295	49624-1290	496241290	12
49624-1095	496241095	49624-1090	496241090	10
49624-0695	496240695	49624-0690	496240690	06
ENG NO.	MATERIAL NO.	ENG NO.	MATERIAL NO.	CIRCUIT SIZE
POLYAMID(PA66), UL94V-0		POLYAMID(PA66), UL94V-2		

▲	47.4	42	22
3.6	43.2	37.8	20
▼	39	33.6	18
▲	26.4	21	12
3.3	22.2	16.8	10
▼	13.8	8.4	6
C	B	A	CIRCUIT

RELEASED EC NO: KOR2008-0134 DRWN:SKHAN01 2008/02/27 CHKD:WY YANG 2008/02/29 APPR:YUNSIKKIM 2008/02/29	DESCRIPTION QUALITY SYMBOLS ▽=0 ▽=0	GENERAL TOLERANCES (UNLESS SPECIFIED)		DIMENSION STYLE MM ONLY		SCALE 4:1	DESIGN UNITS METRIC	THIRD ANGLE PROJECTION			
		4 PLACES ± --- ± --- 3 PLACES ± --- ± --- 2 PLACES ± 0.3 ± --- 1 PLACE ± 0.3 ± ---	mm INCH DRAWN BY SK.HAN DATE 2008/01/28 CHECKED BY WY.YANG DATE 2008/0/28 APPROVED BY EH.JUNG DATE 2008/01/28	TITLE 4.2MM W/W TPA CONN. FOR FEMALE HOUSING		MATERIAL NO. SEE TABLE		DOCUMENT NO. SD-49624-001		SHEET NO. 1 OF 1	
		ANGULAR ± 3 °		DRAFT WHERE APPLICABLE MUST REMAIN WITHIN DIMENSIONS		SIZE A2		THIS DRAWING CONTAINS INFORMATION THAT IS PROPRIETARY TO MOLEX INCORPORATED AND SHOULD NOT BE USED WITHOUT WRITTEN PERMISSION			
		A		REV							