

IEC Appliance Inlet C8, Snap-in Mounting, Front Side, Solder or Quick-connect Terminal



C8



70 °C

**Description**

- Panel Mount: Snap-in version, Frontside
- Appliance Inlet, Pin temperature 70 °C, Protection class II

Approvals

- VDE License Number: 40002274
- UL License Number: E96454
- CSA License Number: 27324

References

[General Product Information](#)

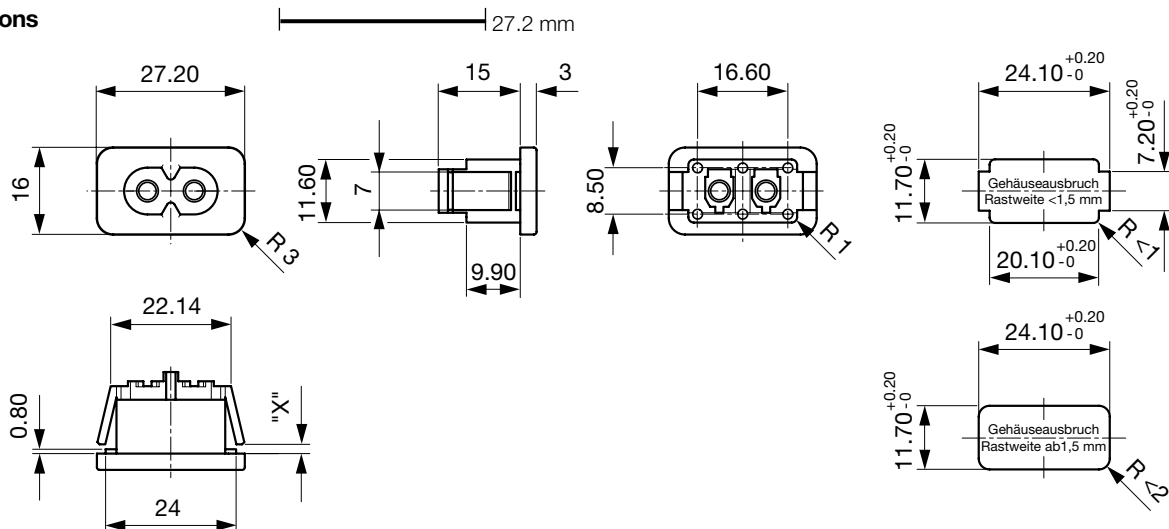
Weblinks

[Approvals, RoHS, CHINA-RoHS, Mating Connectors, Distributor-Stock-Check, Accessories](#)

Technical Data

Ratings IEC	2.5 A / 250 VAC; 50 Hz
Ratings UL/CSA	2.5 A / 250 VAC; 60 Hz
Dielectric Strength	> 3 kVAC between L-N > 1.5 kVAC between L/N-PE (1 min/50 Hz)
Allowable Operation Temp.	-25 °C to 70 °C
Degree of Protection	from front side IP 20 acc. to IEC 60529
Protection Class	Suitable for appliances with protection class 2 acc. to IEC 61140
Panel Thickness s	Snap-in version 1/1.5/2/2.5/3 mm
Material: Housing	UL 94V-0

Appliance Inlet	C8 acc. to IEC/EN 60320-1 UL 498, CSA C22.2 no. 42 (for cold conditions) pin-temperature 70 °C, 2.5 A, Protection Class 2
-----------------	--

Dimensions

length of the terminal please find at the order code configuration table

Dimension "X" please ref. to table order code

Config. Code

Product Configurator

2578 - H - A B C 0 - D - E G F

The characters are placeholders for the correspondingly keys of selections from the key tables.

2578 - H - A B C 0 - D - E G F = Type

Type	Configuration key
protection class 2	B

2578 - H - A B C 0 - D - E G F = Terminals

Terminal L	Configuration key
short solder terminal (L=4,8mm)	2
long solder terminal (L=8,5mm)	3
blade terminal (2,8x0,8mm)	7
blade terminal (4,8x0,8mm)	8
blade terminal (6,3x0,8mm)	9



2578 - H - A B C 0 - D - E G F = Terminals

Terminal N	Configuration key
short solder terminal (L=4,8mm)	2
long solder terminal (L=8,5mm)	3
blade terminal (2,8x0,8mm)	7
blade terminal (4,8x0,8mm)	8
blade terminal (6,3x0,8mm)	9

Symbols similar as in table A

2578 - H - A B C 0 - D - E G F = Terminals

Terminal Ground	Configuration key
without terminal	0

Symbols similar as in table A

2578 - H - A B C 0 - D - E G F = Color

Color	Configuration key
jet black; RAL9005	A
silver grey; RAL7001	B
pure white; RAL9010	D
standard color: black	

2578 - H - A B C 0 - D - E G F = Style

Style	Configuration key
snap-in (x=panel thickness)	4

2578 - H - A B C 0 - D - E G F = Dimension X

Dimension "X"	Configuration key
10	
15	
20	
25	
30	

The dimension "X" is displayed in ($\frac{1}{10}$ mm). This information is also valid for the order code

2578 - H - A B C 0 - D - E G F = Orientation of Terminals

Orientation of Terminals	Configuration key
horizontal	A
vertical	B

Variants

Config. Code	Description	Order Number
2578-X-7700-A-425B	2578, IEC Appliance Inlet C8, 70°C, Schutzklasse 2, L: blade terminal (2,8x0,8mm), N: blade terminal (2,8x0,8mm), Erde: without terminal, Farbe jet black; RAL9005, Bauform: snap-in (x=panel thickness), Mass X: 25	6160.0027
2578-X-2200-A-415B	2578, IEC Appliance Inlet C8, 70°C, Schutzklasse 2, L: short solder terminal (L=4,8mm), N: short solder terminal (L=4,8mm), Erde: without terminal, Farbe jet black; RAL9005, Bauform: snap-in (x=panel thickness), Mass X: 15	6160.0029
2578-X-3300-A-420B	2578, IEC Appliance Inlet C8, 70°C, Schutzklasse 2, L: long solder terminal (L=8,5mm), N: long solder terminal (L=8,5mm), Erde: without terminal, Farbe jet black; RAL9005, Bauform: snap-in (x=panel thickness), Mass X: 20	6160.0031
2578-X-9900-A-415B	2578, IEC Appliance Inlet C8, 70°C, Schutzklasse 2, L: blade terminal (6,3x0,8mm), N: blade terminal (6,3x0,8mm), Erde: without terminal, Farbe jet black; RAL9005, Bauform: snap-in (x=panel thickness), Mass X: 15	6160.0032
2578-X-7700-A-415B	2578, IEC Appliance Inlet C8, 70°C, Schutzklasse 2, L: blade terminal (2,8x0,8mm), N: blade terminal (2,8x0,8mm), Erde: without terminal, Farbe jet black; RAL9005, Bauform: snap-in (x=panel thickness), Mass X: 15	6163.0016
2578-X-2200-B-425B	2578, IEC Appliance Inlet C8, 70°C, Schutzklasse 2, L: short solder terminal (L=4,8mm), N: short solder terminal (L=4,8mm), Erde: without terminal, Farbe silver grey; RAL7001, Bauform: snap-in (x=panel thickness), Mass X: 25	6163.0017

The listed variants should be available from stock Other versions on request www.schurter.com/contact

Packaging unit 100 Pcs

Mating Outlets/Connectors

Category / Description

[Power Cord Overview complete](#)



Power Cord with IEC Connector C7, Straight 70°C	2510
Power Cord with IEC Connector C7, Angled	2511
Power Cord with IEC Plug C7, Angled	2514
Power Cord with IEC Connector C7, Straight 70°C	4810

[Power Cord further types to 2578](#)