

Integrated Device Technology, Inc.

16-BIT CMOS ERROR DETECTION AND CORRECTION UNIT

**IDT39C60
IDT39C60-1
IDT39C60A
IDT39C60B**

FEATURES:

- Low-power CMOS Technology
- Fast
 - Data In to Error Detect
IDT39C60B: 18ns (max.), IDT39C60A: 20ns (max.)
IDT39C60-1: 25ns (max.), IDT39C60: 32ns (max.)
 - Data In to Corrected Data Out
IDT39C60B: 25ns (max.), IDT39C60A: 30ns (max.)
IDT39C60-1: 52ns (max.), IDT39C60: 65ns (max.)
- Improves system memory reliability
 - Corrects all single-bit errors, detects all double and some triple-bit errors
- Cascadable
 - Data words up to 64 bits
- Built-in diagnostics
 - Capable of verifying proper EDC operation via software control
- Simplifies byte operations
 - Fast byte writes possible with separate byte enables
- Available in 48-pin DIP, 48 pin ceramic flatpack, 52-pin PLCC
- Pin-compatible to all versions of the AMD2960
- Military product available compliant to MIL-STD-883, Class B
- Standard Military Drawing #5962-88613 available

DESCRIPTION:

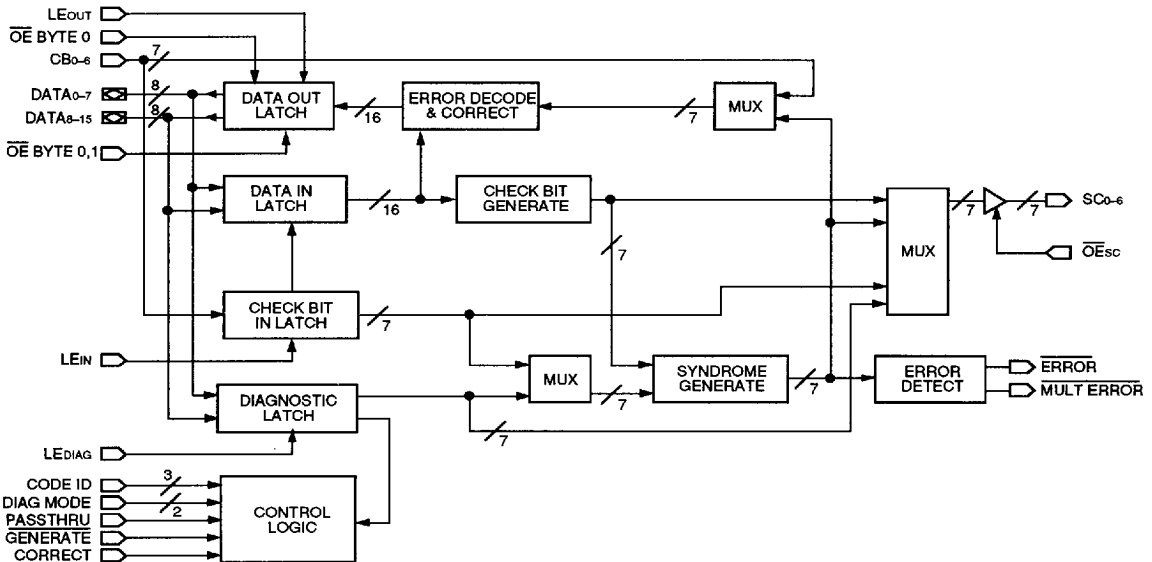
The IDT39C60 family are high-speed, low-power, 16-bit Error Detection and Correction Units which generate check-bits on a 16-bit data field according to a modified Hamming Code and correct the data word when checkbits are supplied. When performing a read operation from memory, the IDT39C60s will correct 100% of all single-bit errors and will detect all double-bit errors and some triple bit errors.

The IDT39C60s are easily cascadable from 16-bits up to 64-bits. Sixteen-bit systems use 6 check bits, 32-bit systems use 7 check bits and 64-bit systems use 8 check bits. For all three configurations, the error syndrome is made available.

All parts have 2 built-in diagnostic modes. Both simplify testing by allowing diagnostic data to be entered into the device to execute system diagnostic functions.

The IDT39C60s are pin-compatible, performance-enhanced functional replacements for all versions of the AMD 2960. They are fabricated using advanced dual metal CMOS technology. Military grade product is manufactured in compliance to the latest revision of MIL-STD-883, Class B.

FUNCTIONAL BLOCK DIAGRAM



The IDT Logo is a registered trademark of Integrated Device Technology, Inc.

2595 drw 01

MILITARY AND COMMERCIAL TEMPERATURE RANGES

APRIL 1994

©1994 Integrated Device Technology, Inc.

10.10

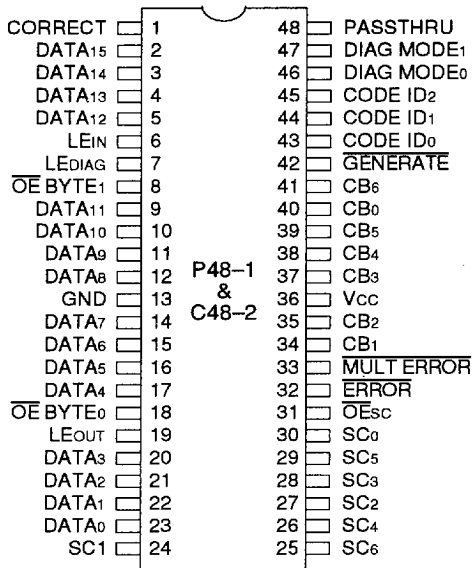
DSC-90165

1

10

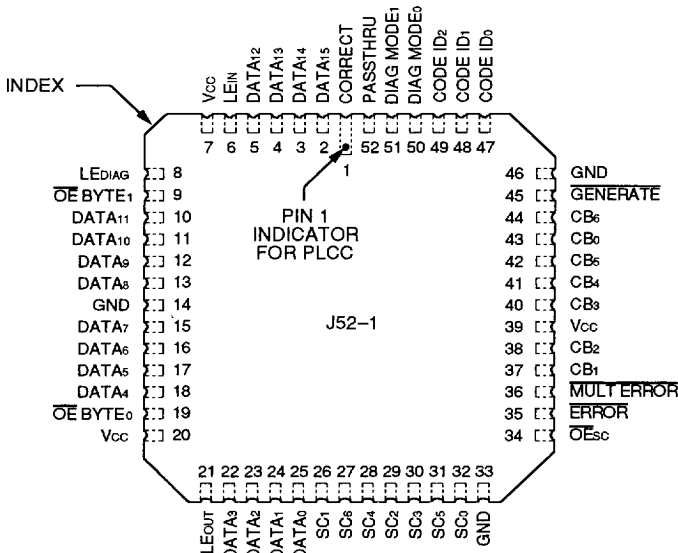
■ 4825771 0016229 1T9 ■

PIN CONFIGURATIONS



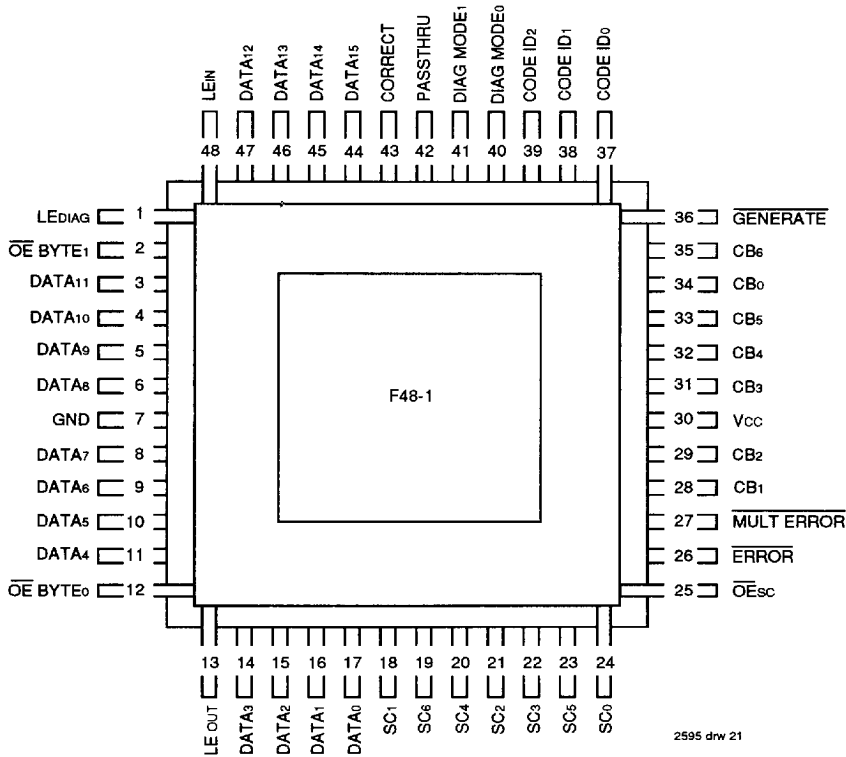
DIP
TOP VIEW
(600 mil x 100 mil Centers)

2595 drw 02



PLCC
TOP VIEW
(750 mil x 750 mil Centers)

2595 drw 03



FLATPACK
 TOP VIEW

PIN DESCRIPTIONS

Pin Name	I/O	Description
DATA ₀₋₁₅	I/O	16 bidirectional data lines provide input to the Data Input Latch and receive output from the Data Output Latch. DATA ₀ is the least significant bit; DATA ₁₅ the most significant bit.
CB ₀₋₆	I	Seven check bit input lines are used to input check bits for error detection. Also used to input syndrome bits for error correction in 32- and 64-bit configurations.
LE _{IN}	I	Latch Enable — Data Input Latch. Controls latching of the input data. When HIGH, the Data Input Latch and Check Bit Input Latch follow the input data and input check bits. When LOW, the Data Input Latch and Check Bit Input Latch are latched to their previous state.
GENERATE	I	Generate Check Bits input. When this input is LOW, the EDC is in the Check Bit Generate mode. When HIGH, the EDC is in the Detect mode or Correct mode. In the Generate mode, the circuit generates the check bits or partial check bits specific to the data in the Data Input Latch. The generated check bits are placed on the SC outputs. In the Detect or Correct modes the EDC detects single and multiple errors and generates syndrome bits based upon the contents of the Data Input Latch and Check Bit Input Latch. In Correct mode, single-bit errors are also automatically corrected — corrected data is placed at the input of the Data Output Latch. The syndrome result is placed on the SC outputs and indicates, in a coded form, the number of errors and the bit-in-error.
SC ₀₋₆	O	Syndrome/Check Bit outputs hold the check/partial check bits when the EDC is in Generate mode and will hold the syndrome/partial syndrome bits when the device is in Detect or Correct modes. These are 3-state outputs.
OE _{SC}	I	Output Enable — Syndrome/Check Bits. When LOW, the 3-state output lines SC ₀₋₆ are enabled. When HIGH, the SC outputs are in the high impedance state.
ERROR	O	Error Detected output. When the EDC is in Detect or Correct mode, this output will go LOW if one or more syndrome bits are asserted, meaning there are one or more bit errors in the data or check bits. If no syndrome bits are asserted, there are no errors detected and the output will be HIGH. In Generate mode, ERROR is forced HIGH. (In a 64-bit configuration, ERROR must be implemented externally.)
MULT ERROR	O	Multiple Errors Detected output. When the EDC is in Detect or Correct mode this output, if LOW, indicates that there are two or more bit errors that have been detected. If HIGH, this indicates that either one or no errors have been detected. In Generate mode, MULT ERROR is forced HIGH. (In a 64-bit configuration, MULT ERROR must be implemented externally.)
CORRECT	I	Correct input. When HIGH, this signal allows the correction network to correct any single-bit error in the Data Input Latch (by complementing the bit-in-error) before putting it into the Data Output Latch. When LOW, the EDC will drive data directly from the Data Input Latch to the Data Output Latch without correction.
LE _{OUT}	I	Latch Enable — Data Output Latch. Controls the latching of the Data Output Latch. When LOW, the Data Output Latch is latched to its previous state. When HIGH, the Data Output Latch follows the output of the Data Input Latch as modified by the correction logic network. In Correct mode, single-bit errors are corrected by the network before loading into the Data Output Latch. In Detect mode, the contents of the Data Input Latch are passed through the correction network unchanged into the Data Output Latch. The inputs to the Data Output Latch are disabled with its contents unchanged if the EDC is in Generate mode.
OE _{BYTE0} OE _{BYTE1}	I	Output Enable — Bytes 0 and 1, Data Output Latch controls the 3-state outputs for each of the two bytes of the Data Output Latch. When LOW, these lines enable the Data Output Latch and, when HIGH, these lines force the Data Output Latch into the high impedance state. The two enable lines can be separately activated to enable only one byte of the Data Output at a time.
PASSTHRU	I	PASSTHRU input, when HIGH, forces the contents of the Check Bit Input Latch onto the Syndrome/Check Bit outputs (SC ₀₋₆) and the unmodified contents of the Data Input Latch onto the inputs of the Data Output Latch.
DIAG _{MODE0-1} CODE _{ID0-2}	I	Diagnostic Mode Select controls the initialization and diagnostic operation of the EDC. Code Identification inputs identify the size of the total data word to be processed and which 16-bit slice of larger data words a particular EDC is processing. The three allowable data word sizes are 16/32- and 64-bits and their respective modified Hamming Codes are designated 16/22, 32/39 and 64/72. Special CODE ID input 001 (ID ₂ , ID ₁ , ID ₀) is also used to instruct the EDC that the signals CODE ID ₀₋₂ , DIAG _{MODE0-1} , CORRECT and PASSTHRU are to be taken from the diagnostic latch rather than the control lines.
LE _{DIAG}	I	Latch Enable — Diagnostic Latch. The Diagnostic Latch follows the 16-bit data on the input lines when HIGH. When LOW, the outputs of the Diagnostic Latch are latched to their previous states. The Diagnostic Latch holds diagnostic check bits and internal control signals for CODE ID ₀₋₂ , DIAG _{MODE0-1} , CORRECT and PASSTHRU.

2595 tbi 01

■ 4825771 0016232 793 ■

PRODUCT DESCRIPTION

The IDT39C60 EDC Unit is a powerful 16-bit cascadable slice used for check bit generation, error detection, error correction and diagnostics. As shown in the Functional Block Diagram, the device consists of the following:

- Data Input Latch
- Data Output Latch
- Diagnostic Latch
- Check Bit Input Latch
- Check Bit Generation Logic
- Syndrome Generation Logic
- Error Detection Logic
- Error Correction Logic
- Control Logic

DATA INPUT/OUTPUT/DIAGNOSTIC LATCHES

The LEIN, Latch Enable input, controls the Data Input which can load 16 bits of data from the bidirectional DATA lines. The input data is used for either check bit generation or error detection/correction.

The 16 bits of data from the DATA lines can be loaded into the Diagnostic Latch under control of the Diagnostic Latch Enable, LEDIAG, giving check bit information in one byte and control information in the other byte. The Diagnostic Latch is used when in Internal Control mode or in one of the Diagnostics modes.

The Data Output Latch is split into two bytes and enabled onto the DATA lines through separate byte control lines. The Data Output Latch stores the result of an error correction operation or is loaded directly from the Data Input Latch under control of the Latch Enable Out (LEOUT). The PASSTHRU control input determines which data is loaded.

CHECK BIT GENERATION LOGIC

This block of combinational logic generates 7 check bits using a modified Hamming Code from the 16 bits of data input from the Data Input Latch.

SYNDROME GENERATION LOGIC

This logic compares the check bits generated through the Check Bit Generator with either the check bits in the Check Bit Input Latch or 7 bits assigned in the Diagnostic Latch.

Syndrome bits are produced by an exclusive-OR of the two sets of bits. A match indicates no errors. If errors occur, the syndrome bits can be decoded to indicate the bit in error, whether 2 errors were detected or 3 or more errors.

ERROR DETECTION/CORRECTION LOGIC

The syndrome bits generated by the Syndrome Logic are decoded and used to control the ERROR and MULTERROR outputs. If one or more errors are detected,

ERROR goes low. If two or more errors are detected, both ERROR and MULTERROR go low. Both outputs remain high when there are no errors detected.

For single bit errors, the correction logic will complement (correct) the bit in error, which can then be loaded into the Data Out Latches under the LEOUT control. If check bit errors need to be corrected, then the device must be operated in the Generate mode.

CONTROL LOGIC

The control logic determines the specific mode of operation, usually from external control signals. However, the Internal Control mode allows these signals to be provided from the Diagnostic Latch.

DETAILED PRODUCT DESCRIPTION

The IDT39C60 EDC unit contains the logic necessary to generate check bits on a 16-bit data input according to a modified Hamming Code. The EDC can compare internally generated check bits against those read with the 16-bit data to correct any single bit data error and detection of all double and some triple bit errors. The IDT39C60 can be used for 16-bit data words (6 check bits), 32-bit data words (7 check bits) or 64-bit data words (8 check bits).

CODE AND BYTE SELECTION

The 3 code identification pins, ID0-2, are used to determine the data word size from 16, 32 or 64 bits and the byte position of each 16-bit IDT39C60 EDC device.

Code 16/22 refers to a 16-bit data field with 6 check bits.

Code 32/39 refers to a 32-bit data field with 7 check bits.

Code 64/72 refers to a 64-bit data field with 8 check bits.

The ID0-2 of 001 is used to place the device in the Internal Control mode as described later in this section.

Table 1 defines all possible identification codes.

CHECK AND SYNDROME BITS

The IDT39C60 provides either check bits or syndrome bits on the three-state output pins, SC0-6. Check bits are generated from a combination of the Data Input bits, while syndrome bits are an Exclusive-OR of the check bits generated from read data with the read check bits stored with the data. Syndrome bits can be decoded to determine the single bit-in-error or that a double error was detected. Some triple bit errors are also detected. The check bits are labeled:

Co, C1, C2, C3, C4	for the 8-bit configuration
Co, C1, C2, C3, C4, C5	for the 16-bit configuration
Co, C1, C2, C3, C4, C5, C6	for the 32-bit configuration
Co, C1, C2, C3, C4, C5, C6, C7	for the 64-bit configuration

Syndrome bits are similarly labeled So through S7.

CONTROL MODE SELECTION

Tables 2 and 3 describe the 9 operating modes of the IDT39C60. The Diagnostic mode pins, DIAG MODE₀₋₁, define 4 basic areas of operation, with GENERATE, CORRECT and PASSTHRU, further dividing operation into 8 functions with the ID₀₋₂ defining the ninth mode as the Internal mode.

Generate mode is used to display the check bits on the outputs SC₀₋₆. The Diagnostic Generate mode displays check bits as stored in the Diagnostic Latch.

Detect mode provides an indication of errors or multiple errors on the outputs ERROR and MULTERROR. Single bit errors are not corrected in this mode. The syndrome bits are provided on the outputs SC₀₋₆. For the Diagnostic Detect mode, the syndrome bits are generated by comparing the internally generated check bits from the Data In Latch with check bits stored in the diagnostic latch rather than with the check bit latch contents.

Correct mode is similar to the Detect mode except that

single bit errors will be complemented (corrected) and made available as input to the Data Out Latch. Again, the Diagnostic Correct mode will correct single bit errors as determined by syndrome bits generated from the Data Input and contents of the Diagnostic Latch.

The Initialize mode provides check bits for all zero bit data. Data In Latch is set and latched to a logic zero and made available as input to the Data Out Latch.

The Internal mode disables the external control pins DIAG MODE₀₋₁, CORRECT, PASSTHRU and CODE ID to be defined by the Diagnostic Latch. When in the internal control mode, the data loaded into the diagnostic latch should have the CODE ID different from 001 as this would represent an invalid operation.

CODE ID ₂	CODE ID ₁	CODE ID ₀	Hamming Code and Slice Selected
0	0	0	Code 16/22
0	0	1	Internal Control Mode
0	1	0	Code 32/39, Byte 0 and 1
0	1	1	Code 32/39, Byte 2 and 3
1	0	0	Code 64/72, Byte 0 and 1
1	0	1	Code 64/72, Byte 2 and 3
1	1	0	Code 64/72, Byte 4 and 5
1	1	1	Code 64/72, Byte 6 and 7

2595 tbl 02

Table 1. Hamming Code and Slice Identification

DIAG MODE ₁	DIAG MODE ₂	Diagnostic Mode Selected
0	0	Non-diagnostic mode. The EDC functions normally in all modes.
0	1	Diagnostic Generate. The contents of the Diagnostic Latch are substituted for the normally generated check bits when in the Generate mode. The EDC functions normally in the Detect or Correct modes.
1	0	Diagnostic Detect/Correct. In the Detect or Correct mode, the contents of the Diagnostic Latch are substituted for the check bits normally read from the Check Bit Input Latch. The EDC functions normally in the Generate mode.
1	1	Initialize. The outputs of the Data Input Latch are forced to zeroes and the check bits generated correspond to the all zero data. The latch is not reset, a functional difference from the Am2960.

2595 tbl 03

Table 2. Diagnostic Mode Control

Operating Mode	DM ₁ DM ₀	GENERATE	CORRECT	PASSTHRU	DATA _{OUT} Latch (LE _{OUT} = High)	SC ₀₋₆ (O _{Esc} = Low)	ERROR MULT ERROR
Generate	0 0 1 0	0	X	0	—	Check Bits Generated from DATA _{IN} Latch	High
Detect	0 0 0 1	1	0	0	DATA _{IN} Latch	Syndrome Bits DATA _{IN} / Check Bit Latch	Error Dep ⁽¹⁾
Correct	0 0 0 1	1	1	0	DATA _{IN} Latch with Single Bit Correction	Syndrome Bits DATA _{IN} / Check Bit Latch	Error Dep
PASSTHRU	0 0 0 1 1 0	X	X	1	DATA _{IN} Latch	Check Bit Latch	High
Diagnostic Generate	0 1	0	X	0	—	Check Bits from Diagnostic Latch	High
Diagnostic Detect	1 0	1	0	0	DATA _{IN} Latch	Syndrome Bits DATA _{IN} / Diagnostic Latch	Error Dep
Diagnostic Correct	1 0	1	1	0	DATA _{IN} Latch with Single Bit Correction	Syndrome Bits DATA _{IN} / Diagnostic Latch	Error Dep
Initialization Mode	1 1	X	X	X	DATA _{IN} Latch Set to 0000	Check Bits Generated from DATA _{IN} Latch (0000)	—
Internal Mode	ID ₀₋₂ = 001 (Control Signals ID ₀₋₂ , DIAG MODE ₀₋₁ , CORRECT and PASSTHRU are taken from the Diagnostic Latch)						

2595 tbl 04

NOTE:

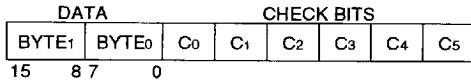
1. Error Dep (Error Dependent): ERROR will be low for single or multiple errors, with MULTERROR low for double or multiple errors. Both signals are high for no errors.

Table 3. IDT39C60 Operating Modes

16-BIT DATA WORD CONFIGURATION

Figure 1 indicates the 22-bit data format for two bytes of data and 6 check bits.

A single IDT39C60 EDC unit, connected as shown in Figure 2, provides all the logic needed for single bit error correction and double bit error detection of a 16-bit data field. The identification code 16/22 indicates 6 check bits are required. The CB6 pin is, therefore, a "Don't Care" and ID2, ID1, ID0 = 000.



2595 drw 04

Uses Modified Hamming Code 16/22
16 Data Bits with 6 Check Bits

Figure 1. 16-Bit Data Format

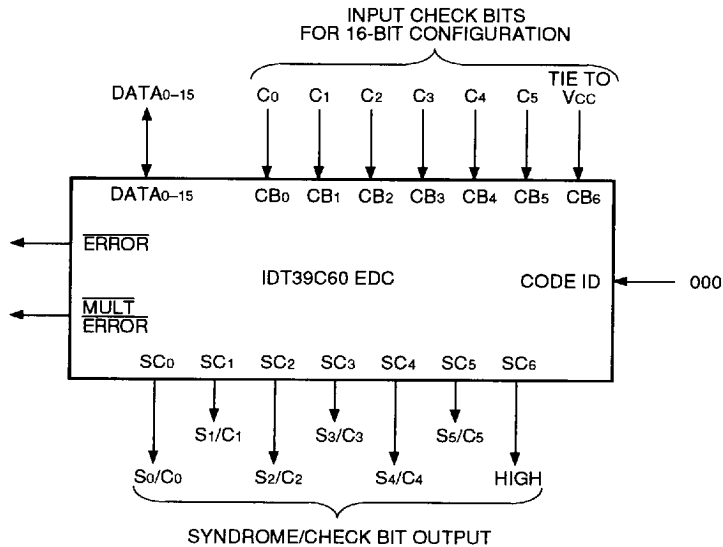


Figure 2. 16-Bit Configuration

Table 3 describes the operating modes available. The output pin SC6, is forced high for either syndrome or check bits since only 6 check bits are used for the 16/22 code.

Table 4 indicates the data bits participating in the check bit generation. For example, check bit C0 is the Exclusive-OR function of the 8 data input bits marked with an X. Check bits are generated and output in the Generate and Initialization Mode. Check bits are passed as stored in the PASSTHRU or Diagnostic Generate Mode.

Syndrome bits are generated by an Exclusive-OR of the generated check bits with the read check bits. For example, SX is the XOR of check bits CX from those read with those generated. Table 5 indicates the decoding of the six

syndrome bits to indicate the bit-in-error for a single bit error, or whether a double or triple bit error was detected. The all zero case indicates no errors detected.

In the Correct Mode, the syndrome bits are used to complement (correct) single bit errors in the data bits. For double or multiple error detection, the data available as input to the Data Out Latch is not defined.

Table 6 defines the bit definition for the Diagnostic Latch. As defined in Table 3, several modes will use the diagnostic check bits to determine syndrome bits or to pass as check bits to the SC0-5 outputs. The Internal Mode substitutes the indicated bit position for the external control signals.

Generated Check Bits	Participating Data Bits ⁽¹⁾																
	Parity	0	1	2	3	4	5	6	7	8	9	10	11	12	13	14	15
C ₀	Even (XOR)		X	X	X		X			X	X		X			X	
C ₁	Even (XOR)	X	X	X		X		X		X		X		X			
C ₂	Odd (XNOR)	X			X	X			X		X	X			X		X
C ₃	Odd (XNOR)	X	X				X	X	X				X	X	X		
C ₄	Even (XOR)			X	X	X	X	X	X							X	X
C ₅	Even (XOR)									X	X	X	X	X	X	X	X

NOTE:
1. The check bit is generated as either an XOR or XNOR of the eight data bits noted by an "X" in the table.

2595 tbl 05

Table 4. 16-Bit Modified Hamming Code — Check Bit Encode Chart

Hex	Syndrome Bits				Hex	0	1	2	3
	S ₃	S ₂	S ₁	S ₀					
0	0	0	0	0	*	C ₄	C ₅	T	
1	0	0	0	1	C ₀	T	T	14	
2	0	0	1	0	C ₁	T	T	M	
3	0	0	1	1	T	2	8	T	
4	0	1	0	0	C ₂	T	T	15	
5	0	1	0	1	T	3	10	T	
6	0	1	1	0	T	4	9	T	
7	0	1	1	1	M	T	T	M	
8	1	0	0	0	C ₃	T	T	M	
9	1	0	0	1	T	5	11	T	
A	1	0	1	0	T	6	12	T	
B	1	0	1	1	1	T	T	M	
C	1	1	0	0	T	7	13	T	
D	1	1	0	1	M	T	T	M	
E	1	1	1	0	0	T	T	M	
F	1	1	1	1	T	M	M	T	

NOTES:
* = No errors detected
Number = The number of the single bit-in-error
T = Two errors detected
M = Three or more errors detected

2595 tbl 06

Table 5. Syndrome Decode to Bit-In-Error (16-Bit Configuration)

Data Bit	Internal Function
0	Diagnostic Check Bit ₀
1	Diagnostic Check Bit ₁
2	Diagnostic Check Bit ₂
3	Diagnostic Check Bit ₃
4	Diagnostic Check Bit ₄
5	Diagnostic Check Bit ₅
6, 7	Don't Care
8	CODE ID ₀
9	CODE ID ₁
10	CODE ID ₂
11	DIAG MODE ₀
12	DIAG MODE ₁
13	CORRECT
14	PASSTHRU
15	Don't Care

2595 tbl 07

Table 6. Diagnostic Latch Loading — 16-Bit Format

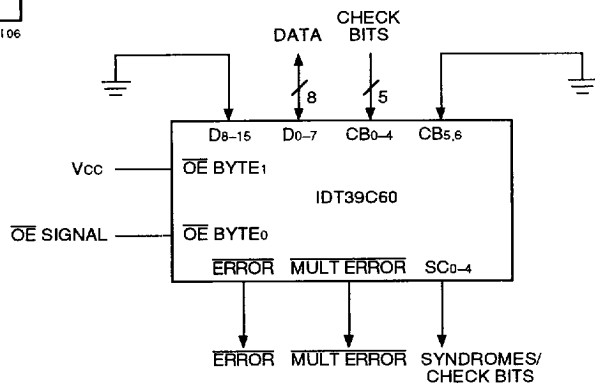


Figure 3. 8-Bit Configuration

2595 drw 06

10

4825771 0016237 275

32-BIT DATA WORD CONFIGURATION

Two IDT39C60 EDC units, connected as shown in Figure 5, provide all the logic needed for single bit error correction and double bit error detection of a 32-bit data field. The identification code 32/39 indicates 7 check bits are required. Table 1 gives the ID2, ID1, ID0 values needed for distinguishing the byte 0/1 from byte 2/3. Valid syndrome, check bits and the **ERROR** and **MULTERROR** signal come from the byte 2/3 unit. Control signals not indicated are connected to both units in parallel. The \overline{OE} always enables the SC0-6 outputs of byte 0/1, but must be used to select data check bits or syndrome bits fed back from the byte 2/3 for data correction modes.

Data In bits 0 through 15 are connected to the same numbered inputs of the byte 0/1 EDC unit, while Data In bits 16 through 31 are connected to byte 2/3 Data Inputs 0 to 15, respectively.

Figure 4 indicates the 39-bit data format for 4 bytes of data and 7 check bits. Check bits are input to the byte 0/1 unit through a tri-state buffer unit such as the IDT74FCT244. Correction of single bit errors of the 32-bit configuration requires a feedback of syndrome bits from byte 2/3 into the byte 0/1 unit. The MUX shown on the functional block diagram is used to select the CB0-6 pins as the syndrome bits rather than internally generated syndrome bits.

Table 3 describes the operating mode available for the 32/39 configuration.

Syndrome bits are generated by an Exclusive-OR of the generated check bits with the read check bits. For example, S_n is the XOR of check bits C_n from those read with those generated. Table 7 indicates the decoding of the seven syndrome bits to determine the bit-in-error for a single bit error, or whether a double or triple bit error was detected. The all zero case indicates no errors detected.

In the Correct Mode, the syndrome bits are used to complement (correct) single bit errors in the data bits. For double or multiple error detection, the data available as input to the Data Out Latch is not defined.

Performance data is provided in Table 8 in relating a single IDT39C60 EDC with the two cascaded units of Figure 5. As indicated, a summation of propagation delays is required from the cascading arrangement of EDC units.

Table 9 defines the bit definition for the Diagnostic Latch. As defined in Table 3, several modes will use the Diagnostic check bits to determine syndrome bits or to pass as check bits to the SC0-6 outputs. The Internal Mode substitutes the indicated bit position for the external control signals.

Table 10 indicates the data bits participating in the check bit generation. For example, check bit Co is the Exclusive-OR function of the 16 data input bits marked with an X. Check bits are generated and output in the Generate and Initialization Mode. Check bits are passed as stored in the PASSTHRU or Diagnostic Generate Mode.

Hex	Syndrome Bits				Hex							
	S3	S2	S1	S0	0	1	2	3	4	5	6	7
0	0	0	0	0	* C4	C5	T	C6	T	T	30	
1	0	0	0	1	C0	T	T	14	T	M	M	T
2	0	0	1	0	C1	T	T	M	T	2	24	T
3	0	0	1	1	T	18	8	T	M	T	T	M
4	0	1	0	0	C2	T	T	15	T	3	25	T
5	0	1	0	1	T	19	9	T	M	T	T	31
6	0	1	1	0	T	20	10	T	M	T	T	M
7	0	1	1	1	M	T	T	M	T	4	26	M
8	1	0	0	0	C3	T	T	M	T	5	27	T
9	1	0	0	1	T	21	11	T	M	T	T	M
A	1	0	1	0	T	22	12	T	1	T	T	M
B	1	0	1	1	17	T	T	M	T	6	28	T
C	1	1	0	0	T	23	13	T	M	T	T	M
D	1	1	0	1	M	T	T	M	T	7	29	T
E	1	1	1	0	16	T	T	M	T	M	M	T
F	1	1	1	1	T	M	M	T	0	T	T	M

NOTES:

- * = No errors detected
- Number = The number of the single bit-in-error
- T = Two errors detected
- M = Three or more errors detected

2595 tbl 08

Table 7. Syndrome Decode to Bit-In-Error (32-Bit Configuration)

32-Bit Propagation Delay		Component Delay From IDT39C60
From	To	AC Specifications
DATA	Check Bits Out	(DATA to SC) + (CB to SC, CODE ID 011)
DATA	Corrected DATA _{OUT}	(DATA to SC) + (CB to SC, CODE ID 011) + (CB to DATA, CODE ID 010)
DATA	Syndromes Out	(DATA to SC) + (CB to SC, CODE ID 011)
DATA	ERROR for 32 Bits	(DATA to SC) + (CB to ERROR, CODE ID 011)
DATA	MULT ERROR for 32 Bits	(DATA to SC) + (CB to MULT ERROR, CODE ID 011)

2595 tbl 09

Table 8. Key AC Calculations for the 32-Bit Configuration



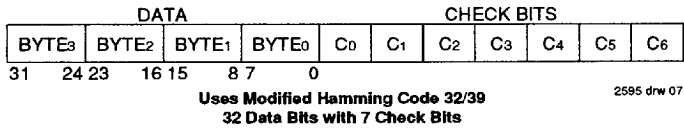


Figure 4. 32-Bit Data Format

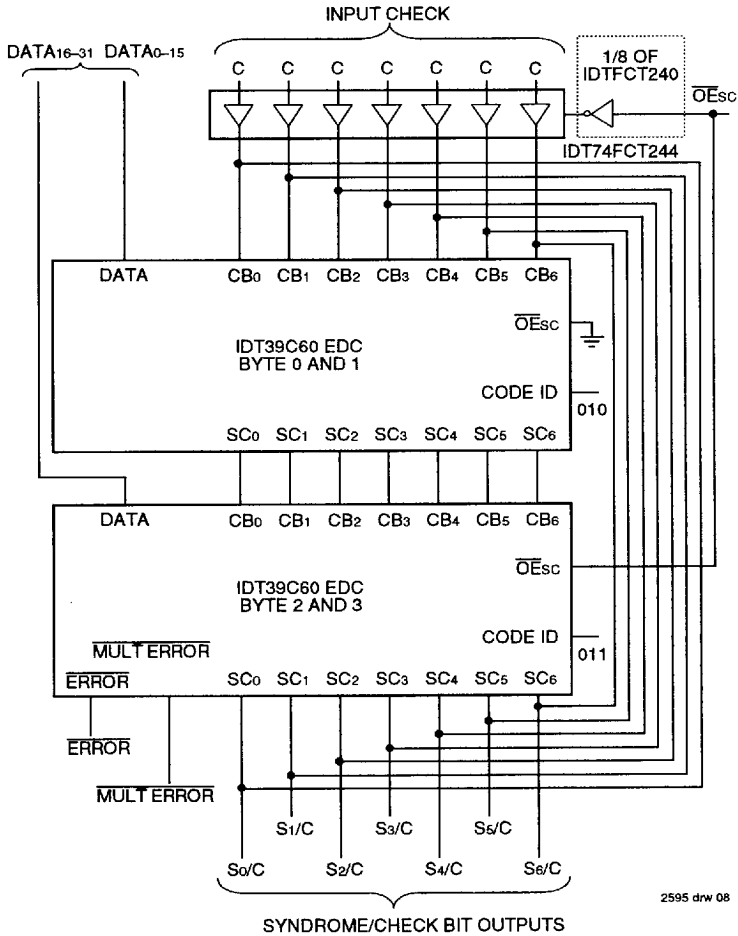


Figure 5. 32-Bit Configuration

Data Bit	Internal Function
0	Diagnostic Check Bit0
1	Diagnostic Check Bit1
2	Diagnostic Check Bit2
3	Diagnostic Check Bit3
4	Diagnostic Check Bit4
5	Diagnostic Check Bit5
6	Diagnostic Check Bit6
7	Don't Care
8	Slice 0/1 — CODE ID0
9	Slice 0/1 — CODE ID1
10	Slice 0/1 — CODE ID2
11	Slice 0/1 — DIAG MODE0
12	Slice 0/1 — DIAG MODE1
13	Slice 0/1 — CORRECT
14	Slice 0/1 — PASSTHRU
15	Don't Care
16-23	Don't Care
24	Slice 2/3 — CODE ID0
25	Slice 2/3 — CODE ID1
26	Slice 2/3 — CODE ID2
27	Slice 2/3 — DIAG MODE0
28	Slice 2/3 — DIAG MODE1
29	Slice 2/3 — CORRECT
30	Slice 2/3 — PASSTHRU
31	Don't Care

2595 tbl 10

Table 9. Diagnostic Latch Loading — 32-Bit Format

Generated Check Bits	Parity	Participating Data Bits															
		0	1	2	3	4	5	6	7	8	9	10	11	12	13	14	15
C0	Even (XOR)	X				X		X	X	X	X		X			X	
C1	Even (XOR)	X	X	X		X		X		X		X		X			
C2	Odd (XNOR)	X			X	X			X		X	X			X		X
C3	Odd (XNOR)	X	X				X	X	X				X	X	X		
C4	Even (XOR)			X	X	X	X	X	X							X	X
C5	Even (XOR)									X	X	X	X	X	X	X	X
C6	Even (XOR)	X	X	X	X	X	X	X	X								

2595 tbl 11

Generated Check Bits	Parity	Participating Data Bits															
		16	17	18	19	20	21	22	23	24	25	26	27	28	29	30	31
C0	Even (XOR)		X	X	X		X					X		X	X		X
C1	Even (XOR)	X	X	X		X		X		X		X		X			
C2	Odd (XNOR)	X			X	X			X		X	X			X		X
C3	Odd (XNOR)	X	X				X	X	X				X	X	X		
C4	Even (XOR)			X	X	X	X	X	X							X	X
C5	Even (XOR)									X	X	X	X	X	X	X	X
C6	Even (XOR)									X	X	X	X	X	X	X	X

2595 tbl 12

Table 10. 32-Bit Modified Hamming Code — Check Bit Encode Chart

■ 4825771 0016240 86T ■

64-BIT DATA WORD CONFIGURATION

The IDT39C60 EDC units connected with the MSI gates, as shown in Figure 7, provide all the logic needed for single bit error detection and double bit error detection of a 64-bit data field. The Identification code 64/72 is used, indicating 8 check bits are required. Check bits and Syndrome bits are generated external to the IDT39C60 EDC using Exclusive-OR gates. For error correction, the syndrome bits must be fed back to the CB0-6 inputs. Thus, external tri-state buffers are used to select between the check bits read in from memory and the syndrome bits being fed back.

The ERROR signal is low for one or more errors detected. From any of the 4 devices, MULTERROR is low for some double bit errors and for all three bit errors. Both are high otherwise. The DOUBLE ERROR signal is high only when a double bit error is detected.

Figure 6 indicates the 72-bit data format of 8 bytes of data and 8 check bits. Check bits are input to the various units through a tri-state buffer such as the IDT74FCT244. Correction of single bit errors of the 64-bit configuration requires a feedback of syndrome bits as generated external to the IDT39C60 EDC. The MUX shown on the functional block diagram is used to select the CB0-6 pins as the syndrome bits rather than internally generated syndrome bits.

Table 3 describes the operating modes available for the 64/72 configuration.

Syndrome bits are generated by an Exclusive-OR of the generated check bits with the read check bits. For example, S_n is the XOR of check bits C_n from those read with those generated. Table 11 indicates the decoding of the 8 syndrome bits to determine the bit-in-error for a single bit error or whether

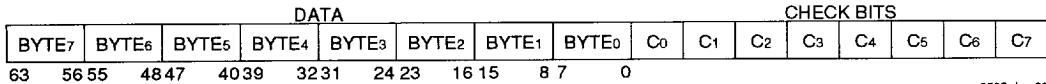
a double or triple bit error was detected. The all zero case indicates no errors detected.

In the Correct Mode, the syndrome bits are used to complement (correct) single bit errors in the data bits. For double or multiple error detection, the data available as input to the Data Out Latch is not defined.

Performance data is provided in Table 12 for a single IDT39C60 EDC with the four units of Figure 7. Delay through the Exclusive-OR gates and the 3-state buffer must be included.

Table 13 indicates the Data Bits participating in the check bit generation. For example, check bit C₀ is the Exclusive-OR function of the 32 data input bits marked with an X. Check bits are generated and output in the Generate and Initialization mode. In the PASSTHRU mode, the contents of the check bit latch are passed through the external Exclusive-OR gates and appear inverted at the outputs Co to C7.

Table 14 defines the bit definition for the Diagnostic Latch. As defined in Table 3, several modes will use the Diagnostic Check Bits to determine syndrome bits or to pass as check bits to the SC0-6 outputs. The Internal Mode substitutes the indicated bit position for the external control signals.



Uses Modified Hamming Code 64/72
32 Data Bits with 8 Check Bits

2595 drw 09

Figure 6. 64-Bit Data Format

					Hex	0	1	2	3	4	5	6	7	8	9	A	B	C	D	E	F	
					S7	0	0	0	0	0	0	0	0	1	1	1	1	1	1	1	1	1
					S6	0	0	0	0	1	1	1	1	0	0	0	0	1	1	1	1	1
					S5	0	0	1	1	0	0	1	1	0	0	1	1	0	0	1	1	1
					S4	0	1	0	1	0	1	0	1	0	1	0	1	0	1	0	1	0
Hex	S3	S2	S1	S0																		
0	0	0	0	0	*	C4	C5	T	C6	T	T	62	C7	T	T	46	T	M	M	T	T	T
1	0	0	0	1	C0	T	T	14	T	M	M	T	T	M	M	T	M	T	T	T	T	30
2	0	0	1	0	C1	T	T	M	T	34	56	T	T	50	40	T	M	T	T	T	T	M
3	0	0	1	1	T	18	8	T	M	T	T	M	M	T	T	M	T	2	24	T	T	T
4	0	1	0	0	C2	T	T	15	T	35	57	T	T	51	41	T	M	T	T	T	T	31
5	0	1	0	1	T	19	9	T	M	T	T	63	M	T	T	47	T	3	25	T	T	T
6	0	1	1	0	T	20	10	T	M	T	T	M	M	T	T	M	T	4	26	T	T	T
7	0	1	1	1	M	T	T	M	T	36	58	T	T	52	42	T	M	T	T	T	T	M
8	1	0	0	0	C3	T	T	M	T	37	59	T	T	53	43	T	M	T	T	T	T	M
9	1	0	0	1	T	21	11	T	M	T	T	M	M	T	T	M	T	5	27	T	T	T
A	1	0	1	0	T	22	12	T	33	T	T	M	49	T	T	M	T	6	28	T	T	T
B	1	0	1	1	17	T	T	M	T	38	60	T	T	54	44	T	1	T	T	T	T	M
C	1	1	0	0	T	23	13	T	M	T	T	M	M	T	T	M	T	7	29	T	T	T
D	1	1	0	1	M	T	T	M	T	39	61	T	T	55	45	T	M	T	T	T	T	M
E	1	1	1	0	16	T	T	M	T	M	M	T	T	M	M	T	0	T	T	T	T	M
F	1	1	1	1	T	M	M	T	32	T	T	M	48	T	T	M	T	M	M	T	T	T

NOTES:
 * = No errors detected
 Number = The number of the single bit-in-error
 T = Two errors detected
 M = Three or more errors detected

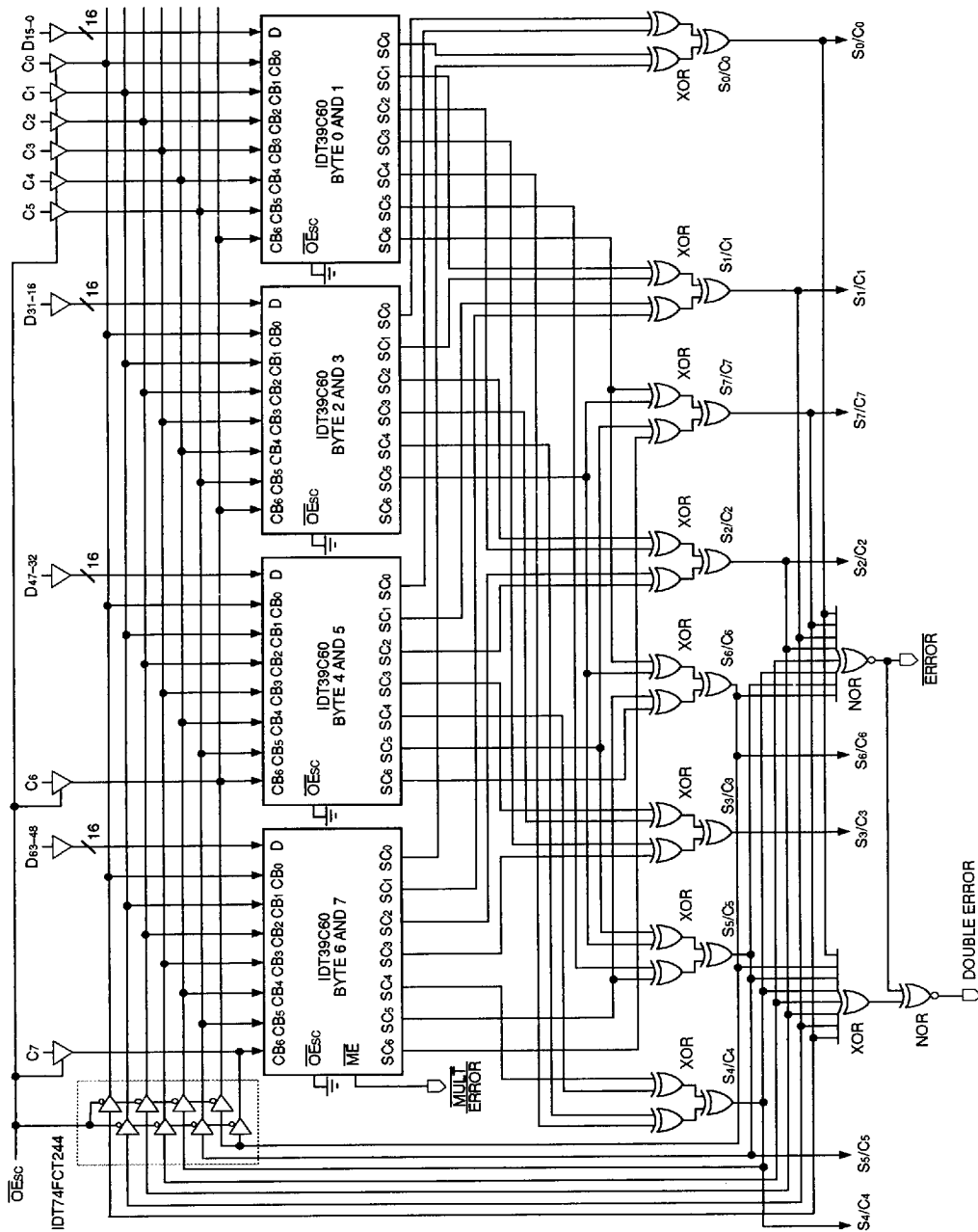
2595 tbl 13

Table 11. Syndrome Decode to Bit-In-Error (64-Bit Configuration)

64-Bit Propagation Delay		Component Delay From IDT39C60
From	To	AC Specifications
DATA	Check Bits Out	(DATA to SC) + (XOR Delay)
DATA	Corrected DATA _{OUT}	(DATA to SC) + (XOR Delay) + (Buffer Delay) + (CB to DATA, CODE ID 1xx)
DATA	Syndromes	(DATA to SC) + (XOR Delay)
DATA	ERROR for 64 Bits	(DATA to SC) + (XOR Delay) + (NOR Delay)
DATA	MULT ERROR for 64 Bits	(DATA to SC) + (XOR Delay) + (Buffer Delay) + (CB to MULT ERROR, CODE ID 1xx)
DATA	DOUBLE ERROR for 64 Bits	(DATA to SC) + (XOR Delay) + (XOR/NOR Delay)

2595 tbl 14

Table 12. Key AC Calculations for the 64-Bit Configuration



NOTES:

1. In PASSTHRU mode the contents of the Check Latch appears on the XOR outputs inverted.
2. In Diagnostic Generate mode the contents of the Diagnostic Latch appear on the XOR outputs inverted.

Figure 7. 64-Bit Configuration

2595 drw 10

Generated Check Bits	Parity	Participating Data Bits ⁽¹⁾															
		0	1	2	3	4	5	6	7	8	9	10	11	12	13	14	15
C0	Even (XOR)		X	X	X		X			X	X		X				
C1	Even (XOR)	X	X	X		X		X		X		X		X			
C2	Odd (XNOR)	X			X	X			X		X	X			X		X
C3	Odd (XNOR)	X	X				X	X	X				X	X	X		
C4	Even (XOR)			X	X	X	X	X	X							X	X
C5	Even (XOR)									X	X	X	X	X	X	X	X
C6	Even (XOR)	X	X	X	X	X	X	X	X								
C7	Even (XOR)	X	X	X	X	X	X	X	X								

2595 tbl 15

Generated Check Bits	Parity	Participating Data Bits ⁽¹⁾															
		16	17	18	19	20	21	22	23	24	25	26	27	28	29	30	31
C0	Even (XOR)		X	X	X		X			X	X		X			X	
C1	Even (XOR)	X	X	X		X		X		X		X		X			
C2	Odd (XNOR)	X			X	X			X		X	X			X		X
C3	Odd (XNOR)	X	X				X	X	X				X	X	X		
C4	Even (XOR)			X	X	X	X	X	X							X	X
C5	Even (XOR)									X	X	X	X	X	X	X	X
C6	Even (XOR)									X	X	X	X	X	X	X	X
C7	Even (XOR)									X	X	X	X	X	X	X	X

2595 tbl 16

Generated Check Bits	Parity	Participating Data Bits ⁽¹⁾															
		32	33	34	35	36	37	38	39	40	41	42	43	44	45	46	47
C0	Even (XOR)	X				X		X	X			X		X	X		X
C1	Even (XOR)	X	X	X		X		X		X		X		X			
C2	Odd (XNOR)	X			X	X			X		X	X			X		X
C3	Odd (XNOR)	X	X				X	X	X				X	X	X		
C4	Even (XOR)			X	X	X	X	X	X							X	X
C5	Even (XOR)									X	X	X	X	X	X	X	X
C6	Even (XOR)	X	X	X	X	X	X	X	X								
C7	Even (XOR)									X	X	X	X	X	X	X	X

2595 tbl 17

Generated Check Bits	Parity	Participating Data Bits ⁽¹⁾															
		48	49	50	51	52	53	54	55	56	57	58	59	60	61	62	63
C0	Even (XOR)	X				X		X	X			X		X	X		X
C1	Even (XOR)	X	X	X		X		X		X		X		X			
C2	Odd (XNOR)	X			X	X			X		X	X			X		X
C3	Odd (XNOR)	X	X				X	X	X				X	X	X		
C4	Even (XOR)			X	X	X	X	X	X							X	X
C5	Even (XOR)									X	X	X	X	X	X	X	X
C6	Even (XOR)									X	X	X	X	X	X	X	X
C7	Even (XOR)	X	X	X	X	X	X	X	X								

NOTE:

1. The check bit is generated as either an XOR or XNOR of the 32 data bits noted by an "X" in the table.

2595 tbl 18

Table 13. 64-Bit Modified Hamming Code — Check Bit Encode Chart

■ 482577J 0016244 405 ■

Data Bit	Internal Function
0	Diagnostic Check Bit0
1	Diagnostic Check Bit1
2	Diagnostic Check Bit2
3	Diagnostic Check Bit3
4	Diagnostic Check Bit4
5	Diagnostic Check Bits
6, 7	Don't Care
8	Slice 0/1 — CODE ID ₀
9	Slice 0/1 — CODE ID ₁
10	Slice 0/1 — CODE ID ₂
11	Slice 0/1 — DIAG MODE ₀
12	Slice 0/1 — DIAG MODE ₁
13	Slice 0/1 — CORRECT
14	Slice 0/1 — PASSTHRU
15	Don't Care
16-23	Don't Care
24	Slice 2/3 — CODE ID ₀
25	Slice 2/3 — CODE ID ₁
26	Slice 2/3 — CODE ID ₂
27	Slice 2/3 — DIAG MODE ₀
28	Slice 2/3 — DIAG MODE ₁
29	Slice 2/3 — CORRECT
30	Slice 2/3 — PASSTHRU

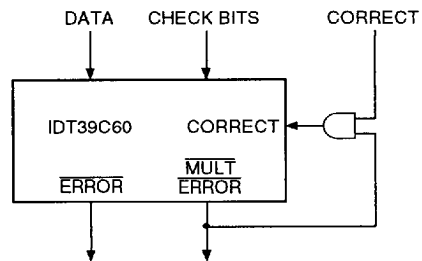
2595 tbl 19

Data Bit	Internal Function
31	Don't Care
32-37	Don't Care
38	Diagnostic Check Bits
39	Don't Care
40	Slice 4/5 — CODE ID ₀
41	Slice 4/5 — CODE ID ₁
42	Slice 4/5 — CODE ID ₂
43	Slice 4/5 — DIAG MODE ₀
44	Slice 4/5 — DIAG MODE ₁
45	Slice 4/5 — CORRECT
46	Slice 4/5 — PASSTHRU
47	Don't Care
48-54	Don't Care
55	Diagnostic Check Bit7
56	Slice 6/7 — CODE ID ₀
57	Slice 6/7 — CODE ID ₁
58	Slice 6/7 — CODE ID ₂
59	Slice 6/7 — DIAG MODE ₀
60	Slice 6/7 — DIAG MODE ₁
61	Slice 6/7 — CORRECT
62	Slice 6/7 — PASSTHRU
63	Don't Care

2595 tbl 20

Table 14. Diagnostic Latch Loading — 64-Bit Format

Some multiple errors will cause a data bit to be inverted. For example, in the 16-bit mode where bits 8 and 13 are in error, the syndrome 111100 (S₀, S₁, S₂, S₃, S₄, S₅) is produced. The bit-in-error decoder receives the syndrome 11100 (S₀, S₁, S₂, S₃, S₄) which it decodes as a single error in data bit 0 and inverts that bit. Figure 8 indicates a method for inhibiting correction when a multiple error occurs.



2595 drw 11

Figure 8. Inhibition of Data Modification

FUNCTIONAL EQUATIONS

The following equations and tables describes how the output values of the IDT39C60 EDC are determined as a function of the value of the inputs and the internal states. Carefully read the following definitions of symbols before examining the tables.

DEFINITIONS

- $D_i \leftarrow DATA_i$ if LEIN is HIGH or the output of bit i of the Data Input Latch if LEIN is LOW
- $C_i \leftarrow CBI_i$ if LEIN is HIGH or the output of bit i of the Check Bit Latch if LEIN is LOW
- $DL_i \leftarrow$ Output of bit i of the Diagnostic Latch
- $S_i \leftarrow$ Internally generated syndromes (same as outputs of SCI if outputs enabled)
- $PA \leftarrow D_0 \oplus D_1 \oplus D_2 \oplus D_4 \oplus D_6 \oplus D_8 \oplus D_{10} \oplus D_{12}$
- $PB \leftarrow D_0 \oplus D_1 \oplus D_2 \oplus D_3 \oplus D_4 \oplus D_5 \oplus D_6 \oplus D_7$
- $PC \leftarrow D_8 \oplus D_9 \oplus D_{10} \oplus D_{11} \oplus D_{12} \oplus D_{13} \oplus D_{14} \oplus D_{15}$
- $PD \leftarrow D_0 \oplus D_3 \oplus D_4 \oplus D_7 \oplus D_9 \oplus D_{10} \oplus D_{13} \oplus D_{15}$
- $PE \leftarrow D_0 \oplus D_1 \oplus D_5 \oplus D_6 \oplus D_7 \oplus D_{11} \oplus D_{12} \oplus D_{13}$
- $PF \leftarrow D_2 \oplus D_3 \oplus D_4 \oplus D_5 \oplus D_6 \oplus D_{14} \oplus D_{15} \oplus D_7$
- $PG_1 \leftarrow D_0 \oplus D_4 \oplus D_6 \oplus D_7$
- $PG_2 \leftarrow D_1 \oplus D_2 \oplus D_3 \oplus D_5$
- $PG_3 \leftarrow D_8 \oplus D_9 \oplus D_{11} \oplus D_{14}$
- $PG_4 \leftarrow D_{10} \oplus D_{12} \oplus D_{13} \oplus D_{15}$

Error Signals

$ERROR: \leftarrow (S_6 \cdot (ID_1 + ID_2)) \cdot S_5 \cdot S_4 \cdot S_3 \cdot S_2 \cdot S_1 \cdot S_0 + GENERATE + INITIALIZE + PASSTHRU$

MULT ERROR:

(16 and 32-Bit Modes) $\leftarrow ((S_6 \cdot ID_1) \oplus S_5 \oplus S_4 \oplus S_3 \oplus S_2 \oplus S_1 \oplus S_0) (ERROR) + TOME + GENERATE + PASSTHRU + INITIALIZE$

MULT ERROR: (64-Bit Modes) $\leftarrow TOME + GENERATE + PASSTHRU + INITIALIZE$

Hex	Syndrome ^(1, 2) Bits			Hex		0	1	2	3	4	5	6	7				
	S ₂	S ₁	S ₀	S ₆	S ₅	S ₄	S ₃	S ₂	S ₁	S ₀	S ₆	S ₅	S ₄	S ₃	S ₂	S ₁	S ₀
0 8	0	0	0	0	0	0	0	0	0	1	1	1	1	1	1	1	1
1 9	0	0	1	0	0	1	1	1	1	0	0	0	0	1	1	1	1
2 A	0	1	0	0	0	1	1	1	1	1	1	1	1	1	1	1	1
3 B	0	1	1	0	0	1	1	1	1	0	0	1	1	0	0	1	1
4 C	1	0	0	0	0	1	1	1	1	0	1	0	1	0	1	0	1
5 D	1	0	1	0	0	1	1	1	1	0	1	0	1	0	1	0	1
6 E	1	1	0	0	0	1	1	1	1	1	1	1	1	1	1	1	1
7 F	1	1	1	0	0	1	1	1	1	1	1	1	1	1	1	1	1

NOTES:

1. S₆, S₅, ... S₀ are internal syndromes except in Modes 010, 100, 101, 110, 111 (CODE ID₂, ID₁, ID₀). In these modes, the syndromes are input over the check bit lines. S₆ ← C₆, S₅ ← C₅, ... S₁ ← C₁, S₀ ← C₀.
2. The S₆ internal syndrome is always forced to 0 in CODE ID 000.

Table 15. TOME (Three or More Errors)

Generate Mode (Check Bits)	CODE ID ₀₋₂						
	000	010	011	100	101	110	111
SC ₀ ←	PG ₂ ⊕ PG ₃	PG ₁ ⊕ PG ₃	PG ₂ ⊕ PG ₄ ⊕ CB ₀	PG ₂ ⊕ PG ₃	PG ₂ ⊕ PG ₃	PG ₁ ⊕ PG ₄	PG ₁ ⊕ PG ₄
SC ₁ ←	PA	PA	PA ⊕ CB ₁	PA	PA	PA	PA
SC ₂ ←	PD	PD	PD ⊕ CB ₂	PD	PD	PD	PD
SC ₃ ←	PE	PE	PE ⊕ CB ₃	PE	PE	PE	PE
SC ₄ ←	PF	PF	PF ⊕ CB ₄	PF	PF	PF	PF
SC ₅ ←	PC	PC	PC ⊕ CB ₅	PC	PC	PC	PC
SC ₆ ←	1	PB	PC ⊕ CB ₆	PB	PB	PB	PB

Table 16. Generate Mode (Check Bits)

4825771 0016246 288

Detect and Correct Modes (Syndromes)	CODE ID ₀₋₂						
	000	010	011 ⁽¹⁾	100	101	110	111
SC ₀ ←	PG ₂ ⊕ PG ₃ ⊕ C ₀	PG ₁ ⊕ PG ₃ ⊕ C ₀	PG ₂ ⊕ PG ₄ ⊕ CB ₀	PG ₂ ⊕ PG ₃ ⊕ C ₀	PG ₂ ⊕ PG ₃	PG ₁ ⊕ PG ₄	PG ₁ ⊕ PG ₄
SC ₁ ←	PA ⊕ C ₁	PA ⊕ C ₁	PA ⊕ CB ₁	PA ⊕ C ₁	PA	PA	PA
SC ₂ ←	PD ⊕ C ₂	PD ⊕ C ₂	PD ⊕ CB ₂	PD ⊕ C ₂	PD	PD	PD
SC ₃ ←	PE ⊕ C ₃	PE ⊕ C ₃	PE ⊕ CB ₃	PE ⊕ C ₃	PE	PE	PE
SC ₄ ←	PF ⊕ C ₄	PF ⊕ C ₄	PF ⊕ CB ₄	PF ⊕ C ₄	PF	PF	PF
SC ₅ ←	PC ⊕ C ₅	PC ⊕ C ₅	PC ⊕ CB ₅	PC ⊕ C ₅	PC	PC	PC
SC ₆ ←	1	PB ⊕ C ₆	PC ⊕ CB ₆	PB	PB	PB ⊕ C ₆	PB ⊕ C ₆

NOTE:
1. In CODE ID₂₋₀ 011 the Check Bit Latch is forced transparent. The Data Latch operates normally. 2595 tbl 23

Table 17. Detect and Correct Modes (Syndromes)

Diagnostic Detect and Correct Mode	CODE ID ₀₋₂						
	000	010	011 ⁽¹⁾	100	101	110	111
SC ₀ ←	PG ₂ ⊕ PG ₃ ⊕ DL ₀	PG ₁ ⊕ PG ₃ ⊕ DL ₀	PG ₂ ⊕ PG ₄ ⊕ CB ₀	PG ₂ ⊕ PG ₃ ⊕ DL ₀	PG ₂ ⊕ PG ₃	PG ₁ ⊕ PG ₄	PG ₁ ⊕ PG ₄
SC ₁ ←	PA ⊕ DL ₁	PA ⊕ DL ₁	PA ⊕ CB ₁	PA ⊕ DL ₁	PA	PA	PA
SC ₂ ←	PD ⊕ DL ₂	PD ⊕ DL ₂	PD ⊕ CB ₂	PD ⊕ DL ₂	PD	PD	PD
SC ₃ ←	PE ⊕ DL ₃	PE ⊕ DL ₃	PE ⊕ CB ₃	PE ⊕ DL ₃	PE	PE	PE
SC ₄ ←	PF ⊕ DL ₄	PF ⊕ DL ₄	PF ⊕ CB ₄	PF ⊕ DL ₄	PF	PF	PF
SC ₅ ←	PDL ⊕ DL ₅	PC ⊕ DL ₅	PC ⊕ CB ₅	PC ⊕ DL ₅	PC	PC	PC
SC ₆ ←	1	PB ⊕ DL ₆	PC ⊕ CB ₆	PB	PB	PB ⊕ DL ₆	PB ⊕ DL ₇

NOTE:
1. In CODE ID₂₋₀ 011 the Check Bit Latch is forced transparent. The Data Latch operates normally. 2595 tbl 24

Table 18. Diagnostic Detect and Correct Mode

Diagnostic Generate Mode	CODE ID ₀₋₂						
	000	010	011 ⁽¹⁾	100	101	110	111
SC ₀ ←	DL ₀	DL ₀	CB ₀	DL ₀	1	1	1
SC ₁ ←	DL ₁	DL ₁	CB ₁	DL ₁	1	1	1
SC ₂ ←	DL ₂	DL ₂	CB ₂	DL ₂	1	1	1
SC ₃ ←	DL ₃	DL ₃	CB ₃	DL ₃	1	1	1
SC ₄ ←	DL ₄	DL ₄	CB ₄	DL ₄	1	1	1
SC ₅ ←	DL ₅	DL ₅	CB ₅	DL ₅	1	1	1
SC ₆ ←	1	DL ₆	CB ₆	1	1	DL ₆	DL ₇

NOTE:
1. In CODE ID₂₋₀ 011 the Check Bit Latch is forced transparent. The Data Latch operates normally. 2595 tbl 25

Table 19. Diagnostic Generate Mode

PASSTHRU Mode	CODE ID ₀₋₂						
	000	010	011 ⁽¹⁾	100	101	110	111
SC ₀ ←	C ₀	C ₀	CB ₀	C ₀	1	1	1
SC ₁ ←	C ₁	C ₁	CB ₁	C ₁	1	1	1
SC ₂ ←	C ₂	C ₂	CB ₂	C ₂	1	1	1
SC ₃ ←	C ₃	C ₃	CB ₃	C ₃	1	1	1
SC ₄ ←	C ₄	C ₄	CB ₄	C ₄	1	1	1
SC ₅ ←	C ₅	C ₅	CB ₅	C ₅	1	1	1
SC ₆ ←	1	C ₆	CB ₆	1	1	C ₆	C ₆

NOTE:
1. In CODE ID₂₋₀ 011 the Check Bit Latch is forced transparent. The Data Latch operates normally. 2595 tbl 26

Table 20. PASSTHRU Mode

10

■ 4825771 0016247 114 ■

		S ₅	0	0	0	0	1	1	1	1
		S ₄	0	0	1	1	0	0	1	1
S ₂	S ₁	S ₃	0	1	0	1	0	1	0	1
0	0	—	—	—	5	—	11	14	—	—
0	1	—	1	2	6	8	12	—	—	—
1	0	—	—	3	7	9	13	15	—	—
1	1	—	0	4	—	10	—	—	—	—

NOTE:
1. Unlisted S combinations are no correction. 2595 tbi 27

Table 21. CODE ID₂₋₀ = 000

		C ₆	0	0	0	0	1	1	1	1
		C ₅	1	1	1	1	0	0	0	0
		C ₄	0	0	1	1	0	0	1	1
C ₂	C ₁	C ₃	0	1	0	1	0	1	0	1
0	0	—	11	14	—	—	—	—	—	5
0	1	8	12	—	—	—	1	2	6	—
1	0	9	13	15	—	—	—	3	7	—
1	1	10	—	—	—	—	0	4	—	—

NOTE:
1. Unlisted C_n combinations are no correction. 2595 tbi 28

Table 22. CODE ID₂₋₀ = 010

		S ₆	0	0	0	0	1	1	1	1
		S ₅	0	0	0	0	1	1	1	1
		S ₄	0	0	1	1	0	0	1	1
S ₂	S ₁	S ₃	0	1	0	1	0	1	0	1
0	0	—	—	—	5	—	11	14	—	—
0	1	—	1	2	6	8	12	—	—	—
1	0	—	—	3	7	9	13	15	—	—
1	1	—	0	4	—	10	—	—	—	—

NOTE:
1. Unlisted S combinations are no correction. 2595 tbi 29

Table 23. CODE ID₂₋₀ = 011

		C ₀	0	0	0	0	1	1	1	1
		C ₆	0	0	0	0	1	1	1	1
		C ₅	1	1	1	1	0	0	0	0
C ₂	C ₁	C ₃	0	0	1	1	0	0	1	1
C ₂	C ₁	C ₃	0	1	0	1	0	1	0	1
0	0	—	11	14	—	—	—	—	—	5
0	1	8	12	—	—	—	1	2	6	—
1	0	9	13	15	—	—	—	3	7	—
1	1	10	—	—	—	—	0	4	—	—

NOTE:
1. Unlisted C_n combinations are no correction. 2595 tbi 30

Table 24. CODE ID₂₋₀ = 100

		C ₀	0	0	0	0	1	1	1	1
		C ₆	0	0	0	0	1	1	1	1
		C ₅	0	0	0	0	1	1	1	1
C ₂	C ₁	C ₃	0	0	1	1	0	0	1	1
C ₂	C ₁	C ₃	0	1	0	1	0	1	0	1
0	0	—	—	—	5	—	11	14	—	—
0	1	—	1	2	6	8	12	—	—	—
1	0	—	—	3	7	9	13	15	—	—
1	1	—	0	4	—	10	—	—	—	—

NOTE:
1. Unlisted C_n combinations are no correction. 2595 tbi 31

Table 25. CODE ID₂₋₀ = 101

		C ₀	0	0	0	0	1	1	1	1
		C ₆	1	1	1	1	0	0	0	0
		C ₅	0	0	0	0	1	1	1	1
C ₂	C ₁	C ₃	0	0	1	1	0	0	1	1
C ₂	C ₁	C ₃	0	1	0	1	0	1	0	1
0	0	—	—	—	5	—	11	14	—	—
0	1	—	1	2	6	8	12	—	—	—
1	0	—	—	3	7	9	13	15	—	—
1	1	—	0	4	—	10	—	—	—	—

NOTE:
1. Unlisted C_n combinations are no correction. 2595 tbi 32

Table 26. CODE ID₂₋₀ = 110

		C ₀	0	0	0	0	1	1	1	1
		C ₆	1	1	1	1	0	0	0	0
		C ₅	1	1	1	1	0	0	0	0
C ₂	C ₁	C ₃	0	0	1	1	0	0	1	1
C ₂	C ₁	C ₃	0	1	0	1	0	1	0	1
0	0	—	11	14	—	—	—	—	—	5
0	1	8	12	—	—	—	1	2	6	—
1	0	9	13	15	—	—	—	3	7	—
1	1	10	—	—	—	—	0	4	—	—

NOTE:
1. Unlisted C_n combinations are no correction. 2595 tbi 33

Table 27. CODE ID₂₋₀ = 111

ABSOLUTE MAXIMUM RATINGS⁽¹⁾

Symbol	Rating	Com'l.	Mil.	Unit
VTERM	Terminal Voltage with Respect to Ground	-0.5 to V _{CC} + 0.5	-0.5 to V _{CC} + 0.5	V
VCC	Power Supply Voltage	-0.5 to +7.0	-0.5 to +7.0	V
TA	Operating Temperature	0 to +70	-55 to +125	°C
TBIAS	Temperature Under Bias	-55 to +125	-65 to +135	°C
TSTG	Storage Temperature	-55 to +125	-65 to +150	°C
IOUT	DC Output Current	30	30	mA

CAPACITANCE (TA = +25°C, f = 1.0MHz)

Symbol	Parameter ⁽¹⁾	Conditions	Typ.	Unit
CIN	Input Capacitance	V _{IN} = 0V	5	pF
COUT	Output Capacitance	V _{OUT} = 0V	7	pF

NOTE: 2595 tbl 35
1. This parameter is sampled and not 100% tested.

NOTE: 2595 tbl 34
1. Stresses greater than those listed under ABSOLUTE MAXIMUM RATINGS may cause permanent damage to the device. This is a stress rating only and functional operation of the device at these or any other conditions above those indicated in the operational sections of this specification is not implied. Exposure to absolute maximum rating conditions for extended periods may affect reliability.

DC ELECTRICAL CHARACTERISTICS

Commercial: TA = 0°C to +70°C, V_{CC} = 5.0V ± 5%; Military: TA = -55°C to +125°C, V_{CC} = 5.0V ± 10%
V_{Lc} = 0.2V; V_{Hc} = V_{CC} - 0.2V

Symbol	Parameter	Test Conditions ⁽¹⁾	Min.	Typ. ⁽²⁾	Max.	Unit		
V _{IH}	Input HIGH Level	Guaranteed Logic HIGH Level ⁽⁴⁾	2.0	—	—	V		
V _{IL}	Input LOW Level	Guaranteed Logic LOW Level ⁽⁴⁾	—	—	0.8	V		
I _{IH}	Input HIGH Current	V _{CC} = Max., V _{IN} = V _{CC}	—	0.1	5	μA		
I _{IL}	Input LOW Current	V _{CC} = Max., V _{IN} = GND	—	-0.1	-5	μA		
V _{OH}	Output HIGH Voltage	V _{CC} = Min.	I _{OH} = -300μA	V _{Hc}	V _{CC}	—	V	
			I _{OH} = -6mA MIL.	2.4	4.3	—		
			I _{OH} = -6mA COM'L.	2.4	4.3	—		
V _{OL}	Output LOW Voltage	V _{CC} = Min.	I _{OL} = 300μA	—	GND	V _{Lc}	V	
				I _{OL} = 8mA MIL.	—	0.3		0.5
				I _{OL} = 8mA COM'L.	—	0.3		0.5
I _{OZ}	Off State (High Impedance) Output Current	V _{CC} = Max.	V _O = 0V	—	-0.1	-10	μA	
			V _O = V _{CC} (Max.)	—	0.1	10		
I _{OS}	Output Short Circuit Current	V _{CC} = Max., V _{OUT} = 0V ⁽³⁾	-20	—	—	mA		

NOTES: 2595 tbl 36
1. For conditions shown as Max. or Min. use appropriate value specified under DC Electrical Characteristics.
2. Typical values are at V_{CC} = 5.0V, +25°C ambient and maximum loading.
3. Not more than one output should be shorted at one time. Duration of the short circuit test should not exceed one second.
4. These input levels should only be static tested in a noise-free environment. Guaranteed by design.

10

DC ELECTRICAL CHARACTERISTICS (Cont'd.)

Commercial: TA = 0°C to +70°C, Vcc = 5.0V ± 5%; Military: TA = -55°C to +125°C, Vcc = 5.0V ± 10%
Vlc = 0.2V; Vhc = Vcc - 0.2V

Symbol	Parameter	Test Conditions ⁽¹⁾	Min.	Typ. ⁽²⁾	Max.	Unit	
Iccq	Quiescent Power Supply Current (CMOS) Inputs	Vcc = Max. VIN = Vcc or GND fOP = 0	—	3.0	5.0	mA	
Icct	Quiescent Input Power Supply Current (per Input @ TTL High) ⁽³⁾	Vcc = Max., VIN = 3.4V, fOP = 0	—	0.3	2.0	mA/ Input	
Iccd	Dynamic Power Supply Current	Vcc = Max. VIN = Vcc or GND Outputs Open, OE = L	MIL. COM'L.	— —	5.0 5.0	8.5 7.0	mA/ MHz
Icc	Total Power Supply Current ⁽⁴⁾	Vcc = Max., fOP = 10MHz Outputs Open, OE = L 50% Duty Cycle VIN = Vcc or GND Vcc = Max., fOP = 10MHz Outputs Open, OE = L 50% Duty Cycle VIN = 3.4V, VIN = 0.4V	MIL. COM'L. MIL. COM'L.	— — — —	53 53 60 60	90 75 100 85	mA

NOTES:

2595 tbl 37

- For conditions shown as Max. or Min. use appropriate value specified under DC Electrical Characteristics.
- Typical values are at Vcc = 5.0V, +25°C ambient and maximum loading.
- Icct is derived by measuring the total current with all the inputs tied together at 3.4V, subtracting out Iccq, then dividing by the total number of inputs.
- Total Supply Current is the sum of the Quiescent Current and the Dynamic Current (at either CMOS or TTL input levels). For all conditions, the Total Supply Current can be calculated by using the following equation:

$$Icc = Iccq + Icct (NT \times Dh) + Iccd (fOP)$$
 Dh = Data duty cycle TTL high period (VIN = 3.4V)
 NT = Number of dynamic inputs driven at TTL levels
 fOP = Operating frequency

IDT 39C60B AC ELECTRICAL CHARACTERISTICS

Guaranteed Commercial Range Performance: Temperature range: 0°C to +70°C; VCC = 5.0V ± 5%
The signals switch between 0V and 3V with signal measured at 1.5V level.

MAXIMUM PROPAGATION DELAYS CL = 50pF

From Input	To Output				
	SC0-6	DATA0-15	ERROR	MULT ERROR	Unit
DATA0-15	18	25 ⁽¹⁾	18	20	ns
CB0-6 (CODE ID = 000, 011)	12	22	17	20	ns
CB0-6 (CODE ID = 010, 100, 101, 110, 111)	12	16	17	20	ns
GENERATE	—	—	14	19	ns
CORRECT	15	—	—	—	ns
CORRECT (Not Internal Control Mode)	—	22	—	—	ns
DIAG MODE and PASSTHRU (Not Internal Control Mode)	20	22	16	19	ns
CODE ID	20	22	22	24	ns
LEIN From latched to transparent	20	28	20	22	ns
LEOUT From latched to transparent	—	11	—	—	ns
LEDIAG From latched to transparent	20	28	20	22	ns
Internal Control Mode: LEDIAG From latched to transparent	24	33	24	27	ns
Internal Control Mode: DATA0-15 Via Diagnostic Latch	24	33	24	27	ns

NOTE: 1. DATAin to corrected DATAout measurement requires timing as shown below. 2595 tbl 38

MINIMUM SET-UP AND HOLD TIMES RELATIVE TO LATCH ENABLES

From Input	To Input (Latching Data)		Set-up Time	Hold Time	Unit
DATA0-15	↘	LEIN	5	3	ns
CB0-6 (not applic. to CODE ID = 11)		LEIN	5	3	ns
DATA0-15	↘	LEOUT	24	2	ns
CB0-7 (CODE ID = 000, 011)		LEOUT	21	0	ns
CB0-7 (CODE ID = 010, 100, 101, 110, 111)		LEOUT	21	0	ns
CORRECT		LEOUT	22	0	ns
DIAG MODE		LEOUT	22	0	ns
PASSTHRU		LEOUT	22	0	ns
CODE ID1, 0	↘		25	0	ns
LEIN	↘		28	0	ns
DATA0-15		LEDIAG	5	3	ns

2595 tbl 39

MAXIMUM OUTPUT ENABLE/DISABLE TIMES

Output tests specified with CL = 5pF and measured to 0.5V change of output voltage level. Test performed with CL = 50pF and correlated to CL = 5pF.

From Input			To Output	Enable Max.	Disable Max.	Unit
	Enable	Disable				
OE Byt0, 1	↘	↗	DAT0-15	12	10	ns
OEsc	↘	↗	SC0-7	12	10	ns

MINIMUM PULSE WIDTHS

			Min.	Unit
LEIN, LEOUT, LEDIAG	↗	(Positive-going pulse)	8	ns

2595 tbl 41



IDT 39C60B AC ELECTRICAL CHARACTERISTICS

Guaranteed Military Range Performance: Temperature range: -55°C to +125°C; VCC = 5.0V ± 10%
The inputs switch between 0V to 3V with signal measured at the 1.5V level.

MAXIMUM PROPAGATION DELAYS CL = 50pF

From Input	To Output				
	SC0-6	DATA0-15	ERROR	MULT ERROR	Unit
DATA0-15	22	30 ⁽¹⁾	22	25	ns
CB0-6 (CODE ID = 000, 011)	14	26	20	24	ns
CB0-6 (CODE ID = 010, 100, 101, 110, 111)	14	19	20	24	ns
GENERATE	—	—	14	19	ns
	15	—	—	—	—
CORRECT (Not Internal Control Mode)	—	20	—	—	ns
DIAG MODE and PASSTHRU (Not Internal Control Mode)	24	26	19	21	ns
CODE ID	24	29	26	29	ns
LEIN From latched to transparent	24	34	24	26	ns
LEOUT From latched to transparent	—	13	—	—	ns
Internal Control Mode: LEDIAG From latched to transparent	24	34	24	26	ns
LEDIAG From latched to transparent	29	40	29	32	ns
Internal Control Mode: DATA0-15 Via Diagnostic Latch	29	40	29	32	ns

NOTE:

1. DATAIN to corrected DATAout measurement requires timing as shown below.

2595 tbl 42

MINIMUM SET-UP AND HOLD TIMES RELATIVE TO LATCH ENABLES

From Input	To Input (Latching Data)	Set-up Time	Hold Time	Unit
DATA0-15	LEIN	6	4	ns
CB0-6 (not applic. to CODE ID = 11)		6	4	ns
DATA0-15	LEOUT	29	2	ns
CB0-7 (CODE ID = 000, 011)		25	0	ns
CB0-7 (CODE ID = 010, 100, 101, 110, 111)		25	0	ns
CORRECT		26	—	ns
DIAG MODE		26	0	ns
PASSTHRU		26	0	ns
CODE ID1,0		30	0	ns
LEIN	34	—	ns	
DATA0-15	LEDIAG	6	4	ns

2595 tbl 43

MAXIMUM OUTPUT ENABLE/DISABLE TIMES

Output tests specified with CL = 5pF and measured to 0.5V change of output voltage level. Test performed with CL = 50pF and correlated to CL = 5pF.

From Input	Enable	Disable	To Output	Enable Max.	Disable Max.	Unit
OE Byte0,1	↘	↗	DAT0-15	15	12	ns
OEsc	↘	↗	SC0-7	15	12	ns

2595 tbl 44

MINIMUM PULSE WIDTHS

LEIN, LEOUT, LEDIAG	(Positive-going pulse)	Min.	Unit
↗		10	ns

2595 tbl 45



IDT 39C60A AC ELECTRICAL CHARACTERISTICS

Guaranteed Commercial Range Performance: Temperature range: 0°C to +70°C; Vcc = 5.0V ± 5%
The signals switch between 0V and 3V with signal measured at 1.5V level.

MAXIMUM PROPAGATION DELAYS CL = 50pF

From Input		To Output				Unit
		SC0-6	DATA0-15	ERROR	MULTERROR	
DATA0-15		20	30 ⁽¹⁾	20	23	ns
CB0-6 (CODE ID = 000, 011)		14	25	20	23	ns
CB0-6 (CODE ID = 010, 100, 101, 110, 111)		14	18	20	23	ns
GENERATE		—	33	18	23	ns
		15	—	—	—	
CORRECT (Not Internal Control Mode)		—	20	—	—	ns
DIAG MODE and PASSTHRU (Not Internal Control Mode)		22	25	18	21	ns
CODE ID		23	28	25	28	ns
LEIN From latched to transparent		22	32	22	25	ns
LEOUT From latched to transparent		—	13	—	—	ns
LEDIAG From latched to transparent		22	32	22	25	ns
Internal Control Mode: LEDIAG From latched to transparent		28	38	28	31	ns
Internal Control Mode: DATA0-15 Via Diagnostic Latch		28	38	28	31	ns

NOTE: 2595 tbi 46

1. DATAIN to corrected DATAOUT measurement requires timing as shown below.

MINIMUM SET-UP AND HOLD TIMES RELATIVE TO LATCH ENABLES

From Input	To Input (Latching Data)		Set-up Time	Hold Time	Unit
DATA0-15		LEIN	5	3	ns
CB0-6 (not applic. to CODE ID = 11)			5	3	ns
DATA0-15		LEOUT	24	2	ns
CB0-7 (CODE ID = 000, 011)			21	0	ns
CB0-7 (CODE ID = 010, 100, 101, 110, 111)			21	0	ns
CORRECT			22	0	ns
DIAG MODE			22	0	ns
PASSTHRU			22	0	ns
CODE ID1, 0			25	0	ns
LEIN			28	0	ns
DATA0-15		LEDIAG	5	3	ns

2595 tbi 47

MAXIMUM OUTPUT ENABLE/DISABLE TIMES

Output tests specified with CL = 5pF and measured to 0.5V change of output voltage level. Test performed with CL = 50pF and correlated to CL = 5pF.

From Input	Enable	Disable	To Output	Enable Max.	Disable Max.	Unit
OE Byte0, 1			DAT0-15	24	21	ns
OEsc			SC0-7	24	21	ns

MINIMUM PULSE WIDTHS

			Min.	Unit
LEIN, LEOUT, LEDIAG			12	ns

2595 tbi 49

IDT 39C60A AC ELECTRICAL CHARACTERISTICS

Guaranteed Military Range Performance: Temperature range: -55°C to +125°C; Vcc = 5.0V ± 10%
The inputs switch between 0V to 3V with signal measured at the 1.5V level.

MAXIMUM PROPAGATION DELAYS CL = 50pF

From Input	To Output				
	SC0-6	DATA0-15	ERROR	MULT ERROR	Unit
DATA0-15	22	35 ⁽¹⁾	24	27	ns
CB0-6 (CODE ID = 000, 011)	17	25	24	27	ns
CB0-6 (CODE ID = 010, 100, 101, 110, 111)	17	20	24	27	ns
GENERATE	—	28	21	25	ns
	20	—	—	—	ns
CORRECT (Not Internal Control Mode)	—	25	—	—	ns
DIAG MODE and PASSTHRU (Not Internal Control Mode)	25	28	21	24	ns
CODE ID	26	31	28	31	ns
LEIN From latched to transparent	24	37	26	29	ns
LEOUT From latched to transparent	—	16	—	—	ns
LEDIAG From latched to transparent	24	37	26	29	ns
Internal Control Mode: LEDIAG From latched to transparent	30	43	32	35	ns
Internal Control Mode: DATA0-15 Via Diagnostic Latch	30	43	32	35	ns

NOTE:

1. DATAIN to corrected DATAOUT measurement requires timing as shown below.

MINIMUM SET-UP AND HOLD TIMES RELATIVE TO LATCH ENABLES


From Input	To Input (Latching Data)		Set-up Time	Hold Time	Unit
DATA0-15	↘	LEIN	5	3	ns
CB0-6 (not applic. to CODE ID = 11)			5	3	ns
DATA0-15	↘	LEOUT	27	2	ns
CB0-7 (CODE ID = 000, 011)			24	0	ns
CB0-7 (CODE ID = 010, 100, 101, 110, 111)	↘		24	0	ns
CORRECT	↘		25	0	ns
DIAG MODE	↘		25	0	ns
PASSTHRU	↘		25	0	ns
CODE ID1, 0	↘		28	0	ns
LEIN	↘		30	0	ns
DATA0-15		LEDIAG	5	3	ns

MAXIMUM OUTPUT ENABLE/DISABLE TIMES

Output tests specified with CL = 5pF and measured to 0.5V change of output voltage level. Test performed with CL = 50pF and correlated to CL = 5pF.

From Input	Enable	Disable	To Output	Enable Max.	Disable Max.	Unit
OE Byte0, 1	↘	↗	DAT0-15	24	21	ns
OESc	↘	↗	SC0-7	24	21	ns

MINIMUM PULSE WIDTHS

				Min.	Unit
LEIN, LEOUT, LEDIAG				12	ns

IDT 39C60-1 AC ELECTRICAL CHARACTERISTICS

Guaranteed Commercial Range Performance: Temperature range: 0°C to +70°C; Vcc = 5.0V ± 5%

The signals switch between 0V and 3V with signal measured at 1.5V level.

MAXIMUM PROPAGATION DELAYS CL = 50pF

From Input	To Output				
	SC0-6	DATA0-15	ERROR	MULT ERROR	Unit
DATA0-15	28	52 ⁽¹⁾	25	50	ns
CB0-6 (CODE ID = 000, 011)	23	50	23	47	ns
CB0-6 (CODE ID = 010, 100, 101, 110, 111)	28	34	29	34	ns
GENERATE	—	63	36	55	ns
	35	—	—	—	
CORRECT (Not Internal Control Mode)	—	45	—	—	ns
DIAG MODE(Not Internal Control Mode)	50	78	59	75	ns
PASSTHRU(Not Internal Control Mode)	36	44	29	46	ns
CODE ID	61	90	60	80	ns
LEIN From latched to transparent	39	72	39	59	ns
LEOUT From latched to transparent	—	31	—	—	ns
LEDIAG From latched to transparent	45	78	45	65	ns
Internal Control Mode: LEDIAG From latched to transparent	67	96	66	86	ns
Internal Control Mode: DATA0-15 Via Diagnostic Latch	67	96	66	86	ns

NOTE: 2595 tbl 54

1. DATAin to corrected DATAout measurement requires timing as shown below.

MINIMUM SET-UP AND HOLD TIMES RELATIVE TO LATCH ENABLES

From Input	To Input (Latching Data)	Set-up Time	Hold Time	Unit
DATA0-15	LEIN	6	7	ns
CB0-6 (not applic. to CODE ID = 11)	LEIN	5	6	ns
DATA0-15	LEOUT	34	5	ns
CB0-7 (CODE ID = 000, 011)	LEOUT	35	0	ns
CB0-7 (CODE ID = 010, 100, 101, 110, 111)	LEOUT	27	0	ns
CORRECT	LEOUT	26	1	ns
DIAG MODE	LEOUT	69	0	ns
PASSTHRU	LEOUT	26	0	ns
CODE ID1,0	LEOUT	81	0	ns
LEIN	LEOUT	51	5	ns
DATA0-15	LEDIAG	6	8	ns

MAXIMUM OUTPUT ENABLE/DISABLE TIMES 2595 tbl 56

Output tests specified with CL = 5pF and measured to 0.5V change of output voltage level. Test performed with CL = 50pF and correlated to CL = 5pF.

From Input	Enable/Disable		To Output	Enable Max.	Disable Max.	Unit
	Enable	Disable				
OE Byte0, 1	↘	↗	DAT0-15	30	30	ns
OEsc	↘	↗	SC0-7	30	30	ns

MINIMUM PULSE WIDTHS 2595 tbl 57

LEIN, LEOUT, LEDIAG	Min.	Unit
(Positive-going pulse)	15	ns



IDT 39C60-1 AC ELECTRICAL CHARACTERISTICS

Guaranteed Military Range Performance: Temperature range: -55°C to +125°C; Vcc = 5.0V ± 10%
The inputs switch between 0V to 3V with signal measured at the 1.5V level.

MAXIMUM PROPAGATION DELAYS CL = 50pF

From Input	To Output				Unit
	SC0-6	DATA0-15	ERROR	MULT ERROR	
DATA0-15	31	59 ⁽¹⁾	28	56	ns
CB0-6 (CODE ID = 000, 011)	25	55	25	50	ns
CB0-6 (CODE ID = 010, 100, 101, 110, 111)	30	38	31	37	ns
GENERATE	—	63	36	55	ns
	38	—	—	—	
CORRECT (Not Internal Control Mode)	—	49	—	—	ns
DIAG MODE(Not Internal Control Mode)	58	89	65	90	ns
PASSTHRU(Not Internal Control Mode)	39	51	34	54	ns
CODE ID	69	100	68	90	ns
LEIN From latched to transparent	39	82	43	66	ns
LEOUT From latched to transparent	—	33	—	—	ns
LEDIAG From latched to transparent	50	88	49	72	ns
Internal Control Mode: LEDIAG From latched to transparent	75	106	74	96	ns
Internal Control Mode: DATA0-15 Via Diagnostic Latch	75	106	74	96	ns

NOTE:

1. DATAin to corrected DATAout measurement requires timing as shown below.

2595 tbi 58

MINIMUM SET-UP AND HOLD TIMES RELATIVE TO LATCH ENABLES

From Input	To Input (Latching Data)		Set-up Time	Hold Time	Unit
DATA0-15	↘	LEIN	7	7	ns
CB0-6 (not applic. to CODE ID = 11)		↘		5	7
DATA0-15	↘	LEOUT	39	5	ns
CB0-7 (CODE ID = 000, 011)			↘	38	0
CB0-7 (CODE ID = 010, 100, 101, 110, 111)	↘		30	0	ns
CORRECT	↘		28	1	ns
DIAG MODE	↘		84	0	ns
PASSTHRU	↘		30	0	ns
CODE ID1, 0	↘		89	0	ns
LEIN	↘		59	5	ns
DATA0-15		LEDIAG	7	9	ns

2595 tbi 59

MAXIMUM OUTPUT ENABLE/DISABLE TIMES

Output tests specified with CL = 5pF and measured to 0.5V change of output voltage level. Test performed with CL = 50pF and correlated to CL = 5pF.

From Input			To Output	Enable Max.	Disable Max.	Unit
	Enable	Disable				
OE Byte0, 1	↘	↗	DAT0-15	35	35	ns
OEsc	↘	↗	SC0-7	35	35	ns

2595 tbi 60

MINIMUM PULSE WIDTHS

				Min.	Unit
LEIN, LEOUT, LEDIAG		↗ (Positive-going pulse)		15	ns

2595 tbi 61



IDT 39C60 AC ELECTRICAL CHARACTERISTICS

Guaranteed Commercial Range Performance: Temperature range: 0°C to +70°C; Vcc = 5.0V ± 5%
The signals switch between 0V and 3V with signal measured at the 1.5V level.

MAXIMUM PROPAGATION DELAYS CL = 50pF

From Input	To Output				
	SC0-6	DATA0-15	ERROR	MULT ERROR	Unit
DATA0-15	32	65 ⁽¹⁾	32	50	ns
CB0-6 (CODE ID = 000, 011)	28	56	29	47	ns
CB0-6 (CODE ID = 010, 100, 101, 110, 111)	28	45	29	34	ns
GENERATE	—	63	36	55	ns
	35	—	—	—	
CORRECT (Not Internal Control Mode)	—	45	—	—	ns
DIAG MODE(Not Internal Control Mode)	50	78	59	75	ns
PASSTHRU(Not Internal Control Mode)	36	44	29	46	ns
CODE ID	61	90	60	80	ns
LEIN From latched to transparent	39	72	39	59	ns
LEOUT From latched to transparent	—	31	—	—	ns
LEDIAG From latched to transparent	45	78	45	65	ns
Internal Control Mode: LEDIAG From latched to transparent	67	96	66	86	ns
Internal Control Mode: DATA0-15 Via Diagnostic Latch	67	96	66	86	ns

NOTE: 1. DATAIN to corrected DATAOUT measurement requires timing as shown below. 2595 tbl 62

MINIMUM SET-UP AND HOLD TIMES RELATIVE TO LATCH ENABLES


From Input	To Input (Latching Data)		Set-up Time	Hold Time	Unit
DATA0-15	↘	LEIN	6	7	ns
CB0-6 (not applic. to CODE ID = 11)				5	6
DATA0-15	↘	LEOUT	44	5	ns
CB0-7 (CODE ID = 000, 011)			35	0	ns
CB0-7 (CODE ID = 010, 100, 101, 110, 111)			27	0	ns
CORRECT			26	1	ns
DIAG MODE			69	0	ns
PASSTHRU			26	0	ns
CODE ID1,0			81	0	ns
LEIN	↘		51	5	ns
DATA0-15		LEDIAG	6	8	ns

MAXIMUM OUTPUT ENABLE/DISABLE TIMES

Output tests specified with CL = 5pF and measured to 0.5V change of output voltage level. Test performed with CL = 50pF and correlated to CL = 5pF.

From Input			To Output	Enable Max.	Disable Max.	Unit
	Enable	Disable				
OE Byte0,1	↘	↗	DATA0-15	30	30	ns
OEsc	↘	↗	SC0-7	30	30	ns

MINIMUM PULSE WIDTHS

				Min.	Unit
LEIN, LEOUT, LEDIAG				15	ns

10

2595 tbl 64
2595 tbl 65

IDT 39C60 AC ELECTRICAL CHARACTERISTICS

Guaranteed Military Range Performance: Temperature range: -55°C to +125°C; V_{CC} = 5.0V ± 10%

The inputs switch between 0V to 3V with signal measured at the 1.5V level.

MAXIMUM PROPAGATION DELAYS CL = 50pF

From Input	To Output				Unit
	SC0-6	DATA0-15	ERROR	MULT ERROR	
DATA0-15	35	73 ⁽¹⁾	36	56	ns
CB0-6 (CODE ID = 000, 011)	30	61	31	50	ns
CB0-6 (CODE ID = 010, 100, 101, 110, 111)	30	50	31	37	ns
GENERATE	—	63	36	55	ns
	38	—	—	—	ns
CORRECT (Not Internal Control Mode)	—	49	—	—	ns
DIAG MODE(Not Internal Control Mode)	58	89	65	90	ns
PASSTHRU(Not Internal Control Mode)	39	51	34	54	ns
CODE ID	69	100	68	90	ns
LEIN From latched to transparent	44	82	43	66	ns
LEOUT From latched to transparent	—	33	—	—	ns
LEDIAG From latched to transparent	50	88	49	72	ns
Internal Control Mode: LEDIAG From latched to transparent	75	106	74	96	ns
Internal Control Mode: DATA0-15 Via Diagnostic Latch	75	106	74	96	ns

NOTE:

1. DATA_{IN} to corrected DATA_{OUT} measurement requires timing as shown below.

2595 tbl 66

MINIMUM SET-UP AND HOLD TIMES RELATIVE TO LATCH ENABLES

From Input	To Input (Latching Data)		Set-up Time	Hold Time	Unit
DATA0-15	↗	LEIN	7	7	ns
CB0-6 (not applic. to CODE ID = 11)			5	7	ns
DATA0-15	↗	LEOUT	50	5	ns
CB0-7 (CODE ID = 000, 011)			38	0	ns
CB0-7 (CODE ID = 010, 100, 101, 110, 111)			30	0	ns
CORRECT			28	1	ns
DIAG MODE			84	0	ns
PASSTHRU			30	0	ns
CODE ID _{1,0}			89	0	ns
LEIN	↗	LEDIAG	59	5	ns
DATA0-15	↗		7	9	ns


2595 tbl 67

MAXIMUM OUTPUT ENABLE/DISABLE TIMES

Output tests specified with CL = 5pF and measured to 0.5V change of output voltage level. Test performed with CL = 50pF and correlated to CL = 5pF.

From Input	Enable	Disable	To Output	Enable Max.	Disable Max.	Unit
OE Byte _{0,1}	↘	↗	DATA0-15	35	35	ns
OE _{Esc}	↘	↗	SC0-7	35	35	ns

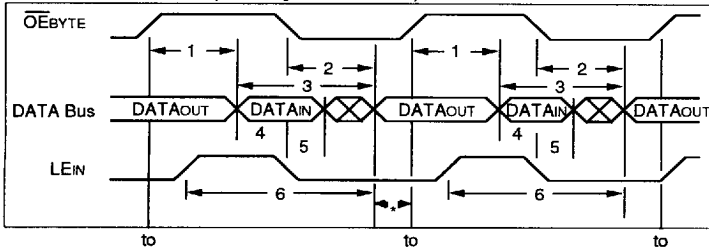
MINIMUM PULSE WIDTHS

			Min.	Unit
LEIN, LEOUT, LEDIAG		(Positive-going pulse)	15	ns

2595 tbl 69



IDT39C60 — DATAIN TO CORRECTED DATAOUT TIMING (Two cycles shown)



NOTES:
Device Mode = "Correct"
System Type = "Correct Always"

Timing Parameter From	To	Min./Max.
1.-OEBYTE = High to DATAOUT Disabled		Max.
2.-OEBYTE = Low to DATAOUT Enabled		Max.
3.-DATAIN to Corrected DATAOUT		Max.
4.-DATAIN Set-up to LEIN = Low		Min.
5.-DATAIN Hold to LEIN = Low		Min.
6.-LEIN = High to DATAOUT		Max.

2595 drw 12

AC TEST CONDITIONS

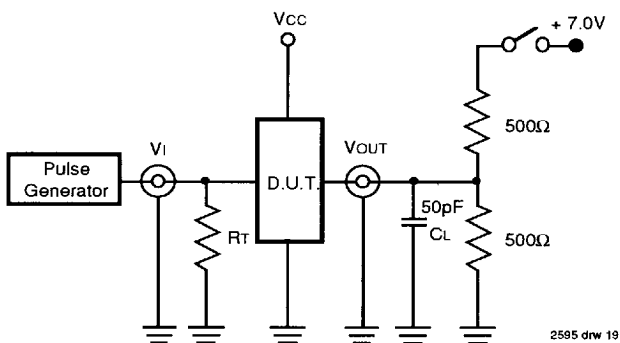
Input Pulse Levels	GND to 3.0V
Input Rise/Fall Times	1V/ns
Input Timing Reference Levels	1.5V
Output Reference Levels	1.5V
Output Load	See Figure 9

2595 tbl 70

Test	Switch
Disable Low	
Enable Low	Closed
All Other Outputs	Open

2595 tbl 71

TEST CIRCUIT LOAD



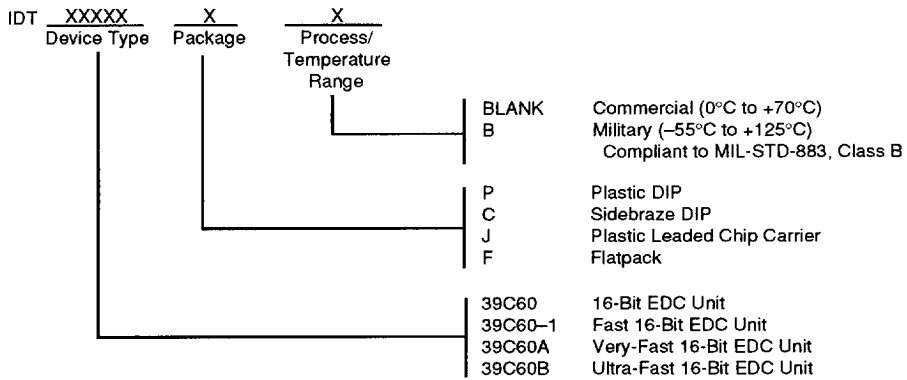
2595 drw 19

DEFINITIONS:

CL = Load capacitance: includes jig and probe capacitance
RL = Termination resistance: should be equal to ZOUT of the Pulse Generator

Figure 9.

ORDERING INFORMATION



2595 drw 20