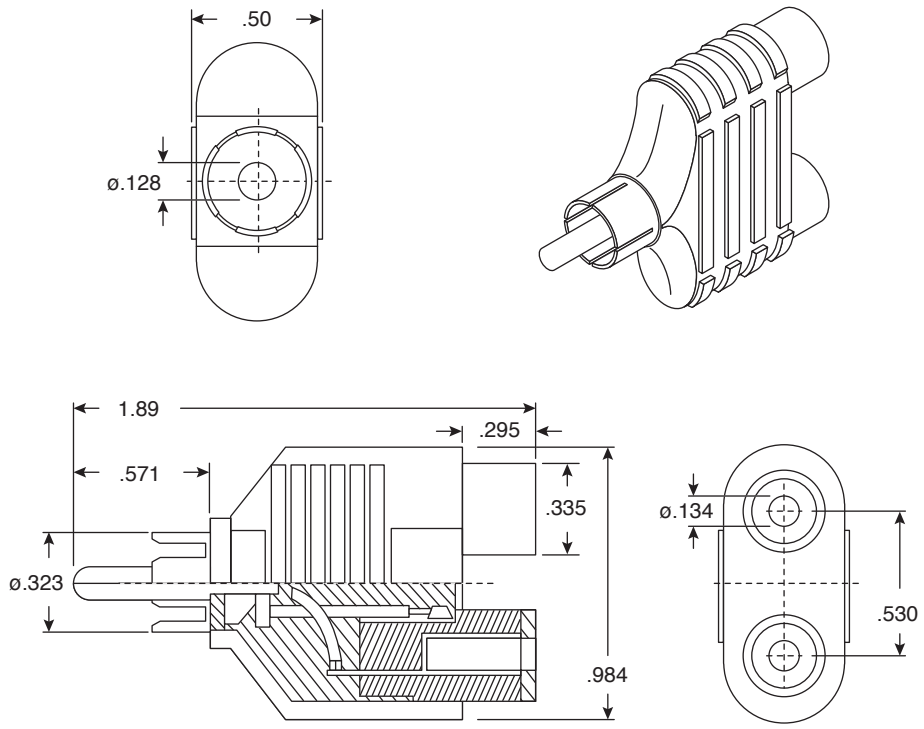


Phono Y-Adaptor

161-4200-EX



Phono Y-Adaptor



Dimensions: In.

| SPECIFICATIONS | |
|------------------------------------|---------------------------------|
| Type: | Phono adapter 1 plug to 2 jacks |
| Body Material: | PVC plastic |
| Contact Material: | Nickel plated brass |
| Insulation Material: | ABS plastic |
| Insulation Resistance: | 100MΩ (min.) |
| Contact Resistance: | 30mΩ (max.) |
| Breakdown Voltage: | 500VAC for 1 minute |
| RoHS Compliant by Exemption | |

Date Last Revised: 12-09-05

Available from Mouser Electronics
1-800-346-6873
www.mouser.com

KC-300959

161-4200-EX

Specifications are subject to change without notice. No liability or warranty implied by this information. Environmental compliance based on producer documentation.