

Materials and Finish

Housing: PBT Thermoplastic
30% Glass Filled, Black
UL 94V-0 Rated

Terminals: Phosphor Bronze,
100u" Tin over
100u" Nickel plating

Mechanical Characteristics

Insertion Force:
0.4kg - 2.0kg

Extraction Force:
0.3kg - 2.0kg

Durability: 5000 mating cycles

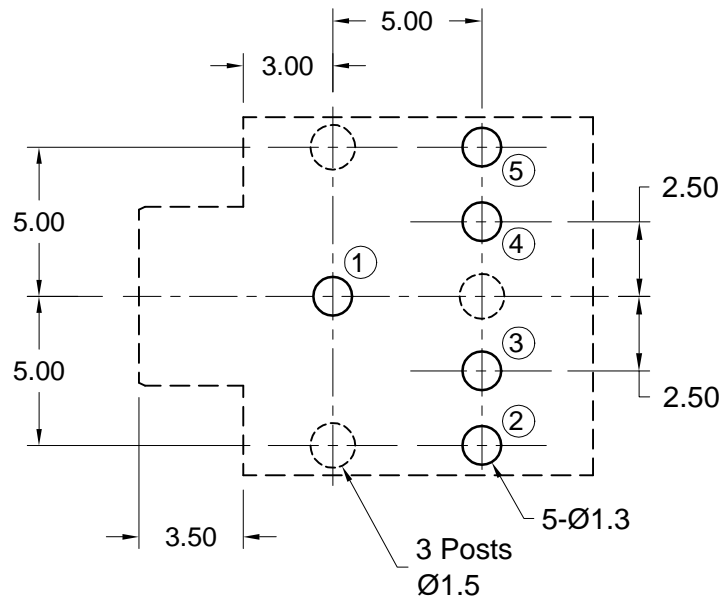
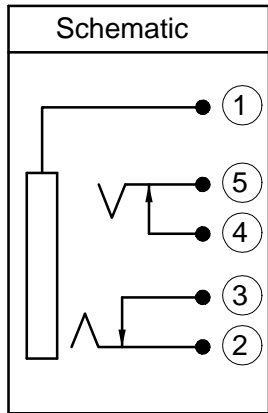
Electrical Characteristics

Contact Resistance:
Before Test: 30mohms Max.
After Durability Test:
60 mohms Max.

Insulation Resistance:
More than 100 Megohms
at 250V DC

Dielectric Strength:
250V AC RMS for 1 minute

Operating Temp:
-25°C to +80°C



**PCB LAYOUT
(BOTTOM VIEW)**

Tolerances

X.X ±0.2
X.XX ±0.1
ANG. ±2°

Unless Stated
Otherwise

CSA NRTL/C Certified File No. LR78160

REVISION	DATE	DESCRIPTION	DRAWN BY	REV CHECK BY	UNITS
A1	10/25/00	ECD #00-166	C. Leiva	C. Leiva	mm
A2	4/5/02	ECD #01-128	REVISED BY	REV CHECK DATE	DATE
A3	7/25/03	ECD #03-036	T. Gokcek	7/28/03	12/18/97

ST-3100-5NB

3.5mm Stereo Jack

One Single Throw Double Pole Switch, with Backplate

