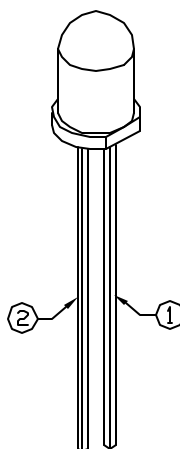
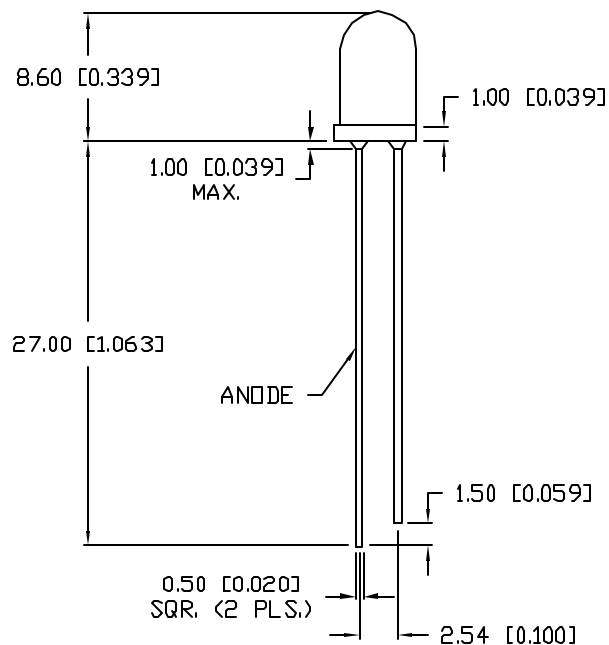
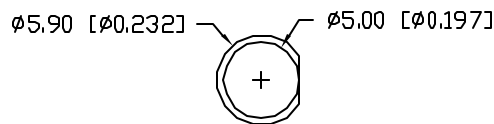


UNCONTROLLED DOCUMENT

PART NUMBER
SSL-LX5093LBI-SRD

REV.
G

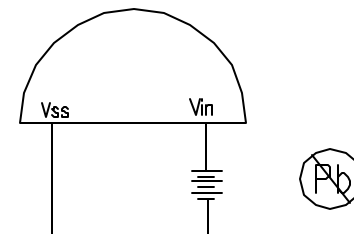
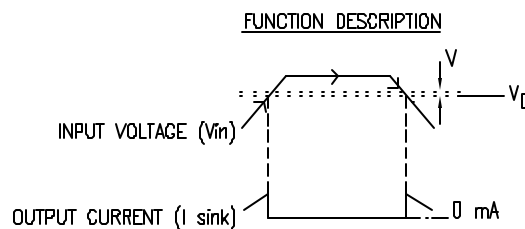


NOTES:

1. Vss.
2. Vin.

ELECTRO-OPTICAL CHARACTERISTICS $T_A=25^\circ\text{C}$ $V_{in}=3.0\text{V}$					
PARAMETER	MIN	TYP	MAX	UNITS	TEST COND
PEAK WAVELENGTH		660 (RED)		nm	$I_f=6.5\text{mA}$
INPUT VOLTAGE (V_{in})		3.0		V	
DETECTION VOLTAGE (V_d)	2.35	2.5	2.65	V	
AXIAL INTENSITY	3.0			mcd	$I_f=6.5\text{mA}$
STANDBY CURRENT (I_{in})		5.0	10.0	μA	$V_{in}=3.0\text{V}$
HYSTERESIS VOLTAGE (V_{hyst})		100		mV	
OUTPUT SINK CURRENT (I_{sink})	6.0	6.5		mA	$V_{in}=2.3\text{V}$
VIEWING ANGLE		60		2x theta	
OPERATING TEMPERATURE		0 TO +85		$^\circ\text{C}$	
STORAGE TEMPERATURE		-40 TO +100		$^\circ\text{C}$	
EMITTED COLOR:	SUPER RED				
EPOXY LENS FINISH:	RED DIFFUSED				

EXTERNAL PARTS CONNECTION



TWO BATTERY DETECTION

UNCONTROLLED DOCUMENT

*UNLESS OTHERWISE SPECIFIED TOLERANCES PER DECIMAL PRECISION ARE: X=±1 (±0.039), XX=±0.5 (±0.020), XXX=±0.25 (±0.010), XXXX=±0.127 (±0.005). LEAD SIZE=±0.05 (±0.002), LEAD LENGTH=±0.75 (±0.030), MIN= ^{+DECIMAL PRECISION} -0.00 ^{MAX.= +0.00} -DECIMAL PRECISION

REV. G	PART NUMBER SSL-LX5093LBI-SRD
-----------	----------------------------------

CONFIDENTIAL INFORMATION
THE INFORMATION CONTAINED IN THIS DOCUMENT IS THE PROPERTY OF LUMEX INC. EXCEPT AS SPECIFICALLY AUTHORIZED IN WRITING BY LUMEX INC., THE HOLDER OF THIS DOCUMENT SHALL KEEP ALL INFORMATION CONTAINED HEREIN CONFIDENTIAL AND SHALL PROTECT SAME IN WHOLE OR IN PART FROM DISCLOSURE AND DISSEMINATION TO ALL THIRD PARTIES.



290 E. HELEN ROAD
PALATINE, IL 60067-6976
PHONE: +1.847.359.2790
US WEB: www.lumex.com
TW WEB: www.lumex.com.tw

T-5mm (T-1 3/4) LOW BATTERY INDICATOR,
660nm SUPER RED LED, RED DIFFUSED LENS.

RELIABILITY NOTE
OUR MANY YEARS OF EXPERIENCE DATA ACCUMULATION INDICATE THAT SOLDER HEAT IS A MAJOR CAUSE OF EARLY AND FUTURE FAILURE. PLEASE PAY ATTENTION TO YOUR SOLDERING PROCESS.

DRAWN BY: JC	CHECKED BY:	APPROVED BY:	DATE: 10.23.06
			PAGE: 1 OF 1
			SCALE: N/A