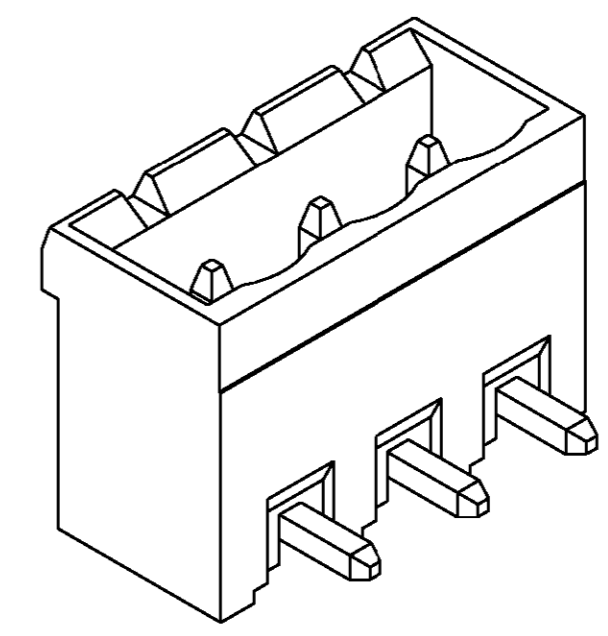
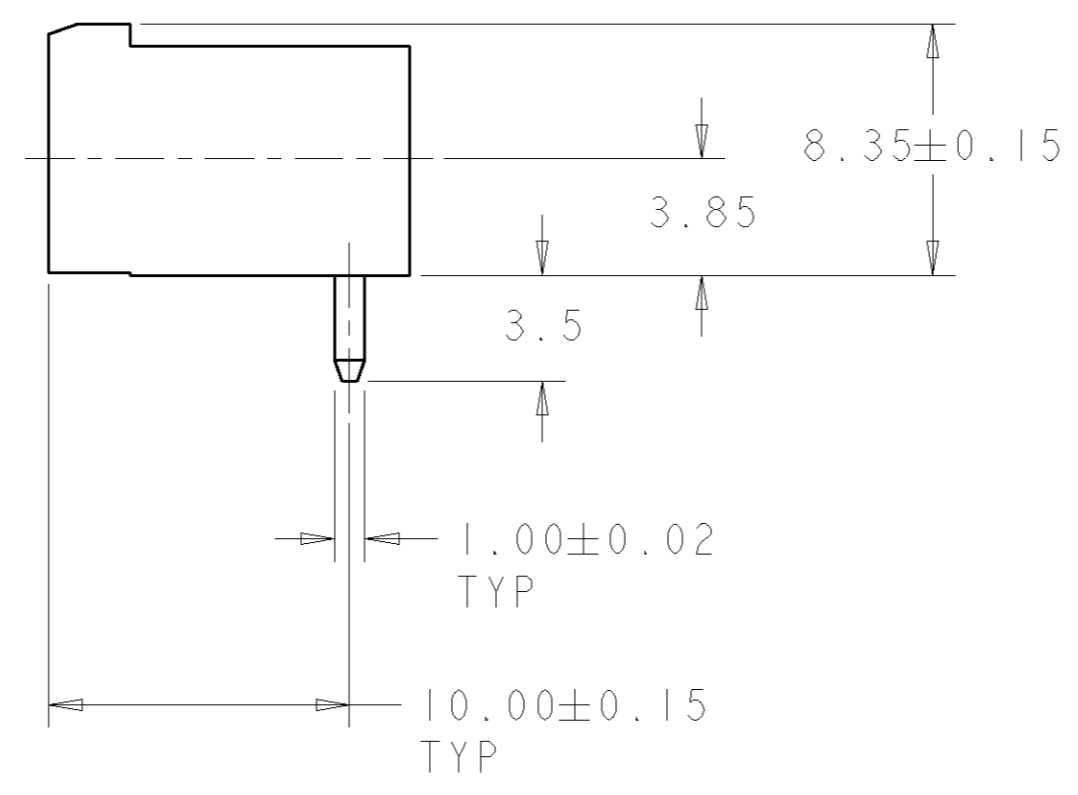
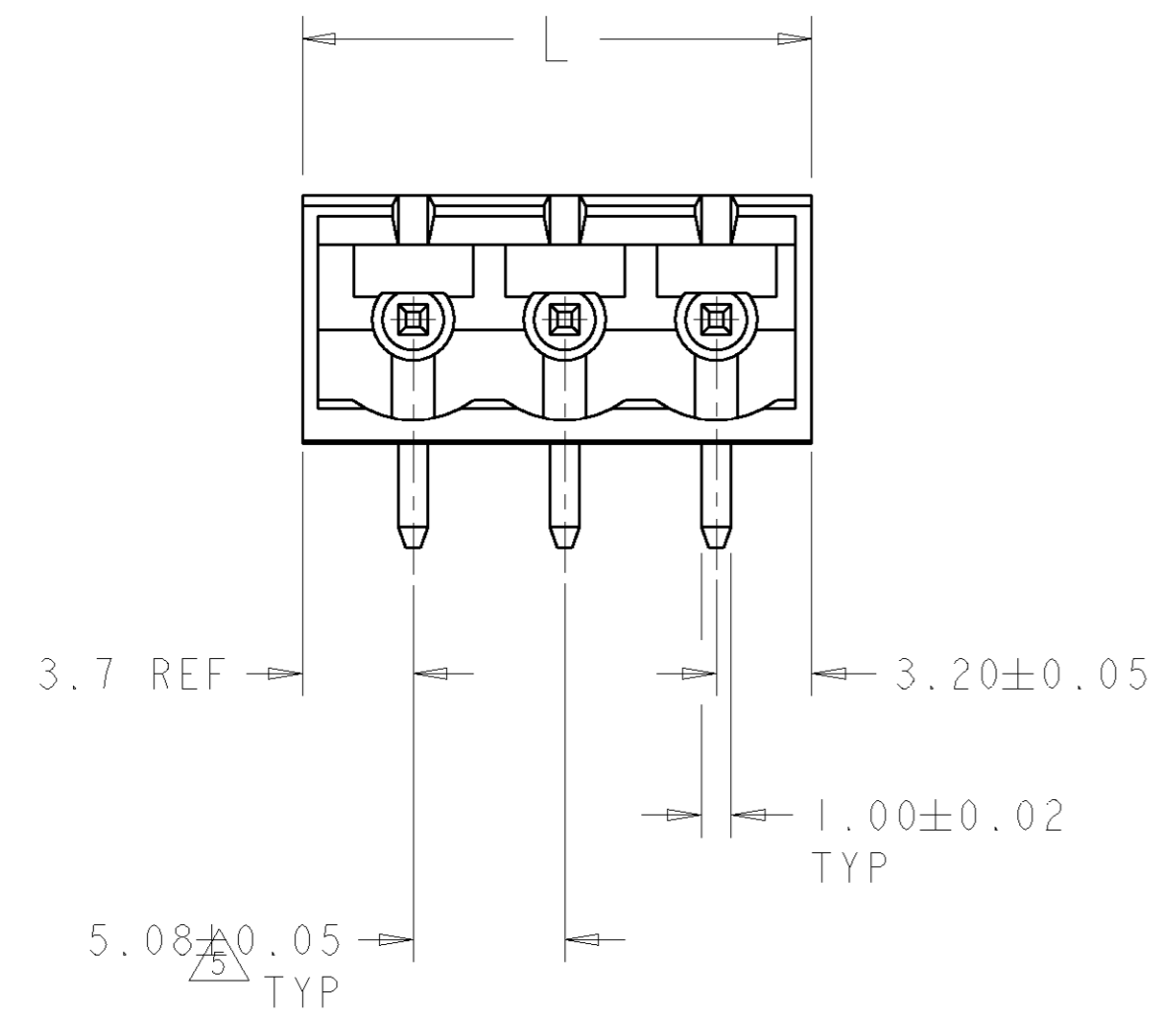


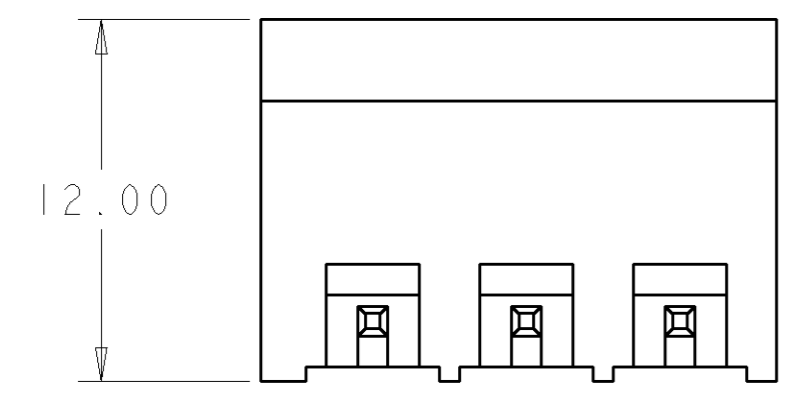
THIS DRAWING IS UNPUBLISHED. RELEASED FOR PUBLICATION 20
 © COPYRIGHT 20 BY TYCO ELECTRONICS CORPORATION. ALL RIGHTS RESERVED.

| LOC | DIST | REVISIONS | | | |
|-----|------|--------------------------|-----------|-----|------|
| P | LTR | DESCRIPTION | DATE | DWN | APVD |
| | A | RELEASED EC 0G3B-0517-01 | 11SEP2002 | SW | CR |
| | B | REVISED EC 0G3B-0886-04 | 11NOV2004 | SW | CR |

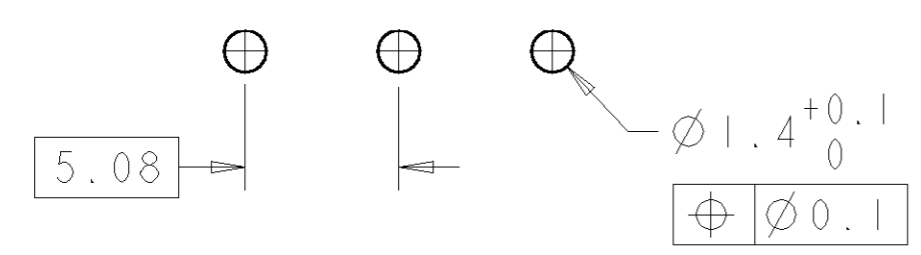


1546109-3 AS SHOWN

| | | | | | |
|-------------|---------|------|--------|----|-------------|
| PRELIMINARY | .000030 | GOLD | 62.78 | 12 | 4-1546109-2 |
| PRELIMINARY | .000030 | GOLD | 32.30 | 6 | 3-1546109-6 |
| PRELIMINARY | .000030 | GOLD | 22.14 | 4 | 3-1546109-4 |
| PRELIMINARY | .000030 | GOLD | 17.06 | 3 | 3-1546109-3 |
| | TIN | | 128.82 | 25 | 2-1546109-5 |
| | TIN | | 123.74 | 24 | 2-1546109-4 |
| | TIN | | 118.66 | 23 | 2-1546109-3 |
| | TIN | | 113.58 | 22 | 2-1546109-2 |
| | TIN | | 108.50 | 21 | 2-1546109-1 |
| | TIN | | 103.42 | 20 | 2-1546109-0 |
| | TIN | | 98.34 | 19 | 1-1546109-9 |
| | TIN | | 93.26 | 18 | 1-1546109-8 |
| | TIN | | 88.18 | 17 | 1-1546109-7 |
| | TIN | | 83.10 | 16 | 1-1546109-6 |
| | TIN | | 78.02 | 15 | 1-1546109-5 |
| | TIN | | 72.94 | 14 | 1-1546109-4 |
| | TIN | | 67.86 | 13 | 1-1546109-3 |
| | TIN | | 62.78 | 12 | 1-1546109-2 |
| | TIN | | 57.70 | 11 | 1-1546109-1 |
| | TIN | | 52.62 | 10 | 1-1546109-0 |
| | TIN | | 47.54 | 9 | 1546109-9 |
| | TIN | | 42.46 | 8 | 1546109-8 |
| | TIN | | 37.38 | 7 | 1546109-7 |
| | TIN | | 32.30 | 6 | 1546109-6 |
| | TIN | | 27.22 | 5 | 1546109-5 |
| | TIN | | 22.14 | 4 | 1546109-4 |
| | TIN | | 17.06 | 3 | 1546109-3 |
| | TIN | | 11.98 | 2 | 1546109-2 |



1. MATERIALS AND FINISH:
 HOUSING: PA 6-6, UL 94-V0, COLOR: GRAY.
 TERMINAL: PHOSPHOR BRONZE, FINISH: SEE TABLE.
2. SUITABLE FOR 1,6-2, 4mm PC BOARD THICKNESS.
3. RECOGNIZED UNDER THE COMPONENT PROGRAM OF UNDERWRITERS LABORATORIES INC. FILE N° E60677.
4. IMQ CERTIFICATE WITH SURVEILLANCE IN CONFORMITY WITH IEC 998-1/998-2-1.)
5. NOT CUMULATIVE TOLERANCE
6. BUCHANAN LOGO TO APPEAR ON HOUSING, LOCATION OPTIONAL WHERE SPACE PERMITS.



RECOMMENDED PC BOARD LAYOUT

| | | | |
|----------------------------------------------------------------------------------------------------------------------------------------------------------------------------------------------------------|------------------------------------------------------------------------------------------------------------------------|----------------------------------------------------------------------------------|-------------------------------------------------------------------------------------------------------------------------------------------------|
| <small>THIS DRAWING IS A CONTROLLED DOCUMENT FOR TYCO ELECTRONICS CORPORATION. IT IS SUBJECT TO CHANGE AND THE CONTROLLING ENGINEERING ORGANIZATION SHOULD BE CONTACTED FOR THE LATEST REVISION.</small> | | DWN S. WELDON 11SEP2002 CHK C. RICHARD 11SEP2002 APVD C. RICHARD 11SEP2002 | AMP Tyco Electronics Harrisburg, PA 17105-3608 |
| DIMENSIONS: mm | TOLERANCES UNLESS OTHERWISE SPECIFIED: 0 PLC ± 1 PLC ±0.2 2 PLC ± 3 PLC ± 4 PLC ± ANGLES ± FINISH | PRODUCT SPEC - APPLICATION SPEC - WEIGHT - | NAME: TERMI-BLOK HEADER ASSEMBLY, 90 DEGREE, CLOSED ENDS, 5.08mm PITCH SIZE: A2 CAGE CODE: 00779 DRAWING NO: 1546109 RESTRICTED TO: - |
| MATERIAL: | | CUSTOMER DRAWING | SCALE: 4:1 SHEET 1 OF 1 REV B |