

**PLEASE CHECK WWW.MOLEX.COM FOR LATEST PART INFORMATION**

**Part Number:** [0022552443](#)  
**Status:** **Active**  
**Overview:** [cgrid\\_sl\\_products](#)  
**Description:** 2.54mm (.100") Pitch SL™ Crimp Housing, Dual Row, Version C, Back Ribs, 44 Circuits

**Documents:**

<a href="#">3D Model</a>	<a href="#">Product Specification PS-70058 (PDF)</a>
<a href="#">Packaging Specification (PDF)</a>	<a href="#">Product Specification PS-70400 (PDF)</a>
<a href="#">Drawing (PDF)</a>	<a href="#">RoHS Certificate of Compliance (PDF)</a>

**Agency Certification**

CSA	LR19980
UL	E29179

**General**

Product Family	Crimp Housings
Series	<a href="#">70450</a>
Comments	Version C
Overview	<a href="#">cgrid_sl_products</a>
Product Name	SL™

**Physical**

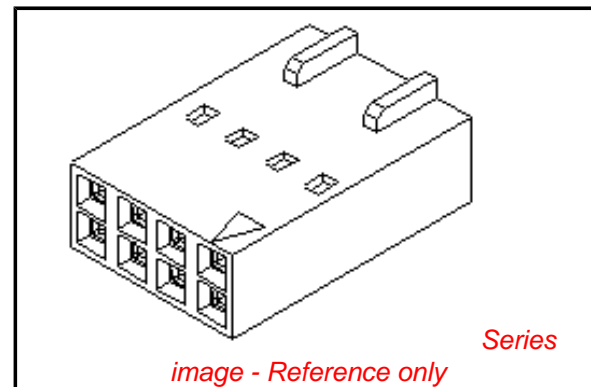
Breakaway	No
Circuits (maximum)	44
Color - Resin	Black
Flammability	94V-0
Gender	Female
Glow-Wire Compliant	No
Material - Resin	Polyester
Number of Rows	2
Packaging Type	Bag
Panel Mount	No
Pitch - Mating Interface (in)	0.100 In
Pitch - Mating Interface (mm)	2.54 mm
Stackable	Yes
Temperature Range - Operating	-40°C to +105°C

**Material Info**

Old Part Number	70450-0120
-----------------	------------

**Reference - Drawing Numbers**

Packaging Specification	PK-70450-100
Product Specification	PS-70058, PS-70400
Sales Drawing	SD-70450-0100-0125
Test Summary	TS-70058-001



**EU RoHS**

**ELV and RoHS Compliant**  
**REACH SVHC**  
 Not Reviewed  
**Halogen-Free Status**  
 Not Reviewed

**China RoHS**



**Need more information on product environmental compliance?**

Email [productcompliance@molex.com](mailto:productcompliance@molex.com)  
 For a multiple part number RoHS Certificate of Compliance, [click here](#)

Please visit the [Contact Us](#) section for any non-product compliance questions.

**Search Parts in this Series**

[70450Series](#)

**Mates With**

[70013](#) , [70022](#)

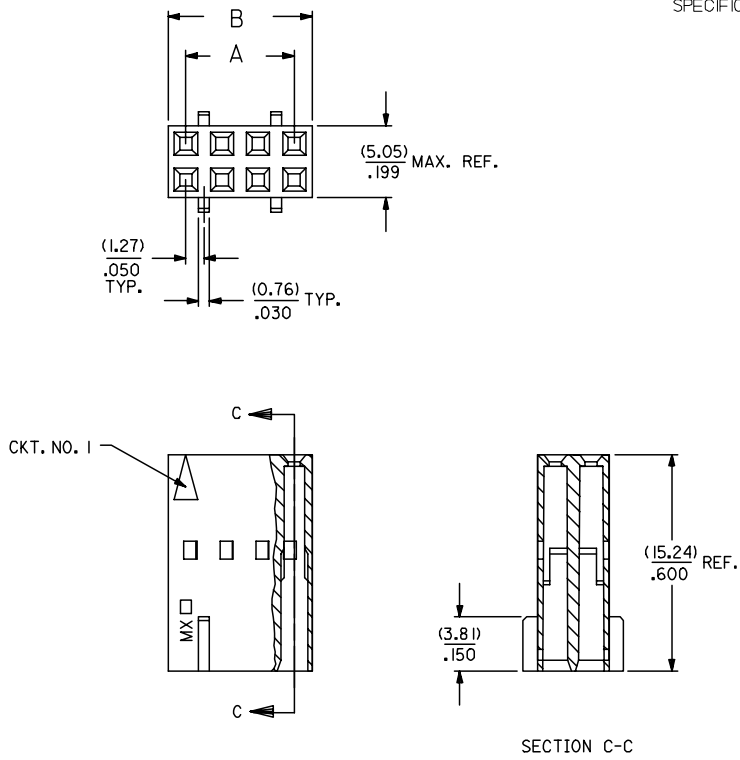
**Use With**

[70021](#) , [70058](#) , [71851](#)

**NOTES:**

- 1) MATERIAL: G.F. POLYESTER
- 2) HOUSING TO BE USED WITH TERMINALS  
PT. NO. 70058-\*\*\*\* & 70028-\*\*\*\*
- 3) TO BE USED WITH (0.64)/.025 SQ. OR RD. PINS.
- 4) REFER TO PRODUCT SPECIFICATION PS-70058.
- 5) PACKAGE PER PK-70450-100.
- 6) PARTS CONFORM TO CLASS C OF COSMETIC  
SPECIFICATION PS-45499-002.

**-OPTION "C"-**



CKT. SIZE	EDP. NO.	ENG. NO.	A	B
4	022-55-2043	70450-0100	(2.54) .100	(5.05) .199
6	022-55-2063	70450-0101	(5.08) .200	(7.59) .299
8	022-55-2083	70450-0102	(7.62) .300	(10.13) .399
10	022-55-2103	70450-0103	(10.16) .400	(12.67) .499
12	022-55-2123	70450-0104	(12.70) .500	(15.21) .599
14	022-55-2143	70450-0105	(15.24) .600	(17.75) .699
16	022-55-2163	70450-0106	(17.78) .700	(20.29) .799
18	022-55-2183	70450-0107	(20.32) .800	(22.83) .899
20	022-55-2203	70450-0108	(22.86) .900	(25.37) .999
22	022-55-2223	70450-0109	(25.40) 1.000	(27.91) 1.099
24	022-55-2243	70450-0110	(27.94) 1.100	(30.45) 1.199
26	022-55-2263	70450-0111	(30.48) 1.200	(32.99) 1.299
28	022-55-2283	70450-0112	(33.02) 1.300	(35.53) 1.399
30	022-55-2303	70450-0113	(35.56) 1.400	(38.07) 1.499
32	022-55-2323	70450-0114	(38.10) 1.500	(40.61) 1.599
34	022-55-2343	70450-0115	(40.64) 1.600	(43.15) 1.699
36	022-55-2363	70450-0116	(43.18) 1.700	(45.69) 1.799
38	022-55-2383	70450-0117	(45.72) 1.800	(48.23) 1.899
40	022-55-2403	70450-0118	(48.26) 1.900	(50.77) 1.999
42	022-55-2423	70450-0119	(50.80) 2.000	(53.31) 2.099
44	022-55-2443	70450-0120	(53.34) 2.100	(55.85) 2.199
46	022-55-2463	70450-0121	(55.88) 2.200	(58.39) 2.299
48	022-55-2483	70450-0122	(58.42) 2.300	(60.93) 2.399
50	022-55-2503	70450-0123	(60.96) 2.400	(63.47) 2.499
52	NOT TOOLED	70450-0124	(63.50) 2.500	(66.01) 2.599
54	NOT TOOLED	70450-0125	(66.04) 2.600	(68.55) 2.699

**SECTION C-C**

ADD COSMETIC SPEC FCC NO: UCP2007-2009 2007/02/23 DRAWN: JORGAN 2007/02/23 CHKD: MS BARRA 2007/02/23 APPR: SMILLER 2007/02/27 REVISIONS 1 2	QUALITY SYMBOLS ▽=0 ▽=0	GENERAL TOLERANCES (UNLESS SPECIFIED)		DIMENSION STYLE MM/IN		SCALE 4:1	DESIGN UNITS INCH	THIRD ANGLE PROJECTION			
		4 PLACES ± --- ± ---	3 PLACES ± --- ± .010	2 PLACES ± 0.25 ± .014	1 PLACE ± 0.35 ± ---	ANGULAR ±1/2°	DRAWN BY MJM DATE 1986/10/22	CHECKED BY MJM DATE 1986/10/22	APPROVED BY WAZ DATE 1986/10/22	TITLE HOUSING - CONNECTOR DUAL ROW (2.54)/.100 GRID WITH RIBS	
		DRAFT WHERE APPLICABLE MUST REMAIN WITHIN DIMENSIONS					MATERIAL NO. SEE CHART		DOCUMENT NO. SD-70450-0100-0125		SHEET NO. 1 OF 1
		THIS DRAWING CONTAINS INFORMATION THAT IS PROPRIETARY TO MOLEX INCORPORATED AND SHOULD NOT BE USED WITHOUT WRITTEN PERMISSION									