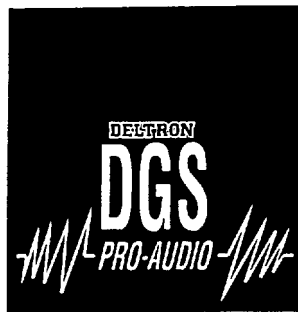


582-712 TO 803



CHANNEL IDENTIFICATION SYSTEM

Sheet No. **PS 0785**

Date : 16.03.95

Issue No. 3 (06.07.95)

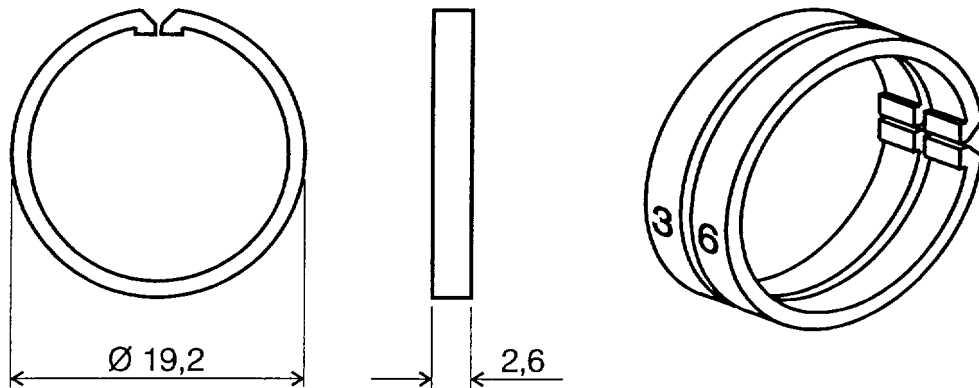
Sheet 1 of 1

Signature

Deltron Part No. **728 SERIES**

PRODUCT SPECIFICATION

Dimensions



DIMENSIONS IN MILLIMETRES

Description

A unique number coded tab system which provides durable bright identification coding for both free cable plugs and sockets.

NUMBER	COLOUR	CODE
'0'	BLACK	728-0000
'1'	BROWN	728-0100
'2'	RED	728-0200
'3'	ORANGE	728-0300
'4'	YELLOW	728-0400
'5'	GREEN	728-0500
'6'	BLUE	728-0600
'7'	VIOLET	728-0700
'8'	GREY	728-0800
'9'	WHITE	728-0900

MIXED BAG 50 RINGS 728-0050

Features

Pack of 25 collars supplied in a polythene bag.

Or a mixed bag of 50 rings, containing 5 rings of each colour/number.

- full annular ring prevents the collars from falling off.

- collars numbered with corresponding colours for easy identification.

- two 'narrow' rings are used giving up to one hundred possible identification combinations.

Material :-
ACETAL C 27021