

### 10/100BASE PCMCIA Fast Ethernet MAC Controller

Document No.: AX190-16 / V1.6 / May. 12 '00

#### Features

- IEEE 802.3u 100BASE-T, TX, and T4 Compatible
- Single chip PCMCIA bus 10/100Mbps Fast Ethernet MAC Controller
- NE2000 register level compatible instruction
- Compliant with 16 bit PC Card Standard - February 1995
- Support both 10Mbps and 100Mbps data rate
- Support both full-duplex or half-duplex operation
- Provides a MII port for both 10/100Mbps operation
- Support 256/512 bytes EEPROM (used for saving CIS)
- Support automatic loading of Ethernet ID, CIS and Adapter Configuration from EEPROM on power-on initialization
- External and internal loop-back capability
- 128-pin LQFP low profile package
- 25MHz Operation, Dual 5V and 3.3V CMOS process with 5V I/O tolerance. Or pure 3.3V operation

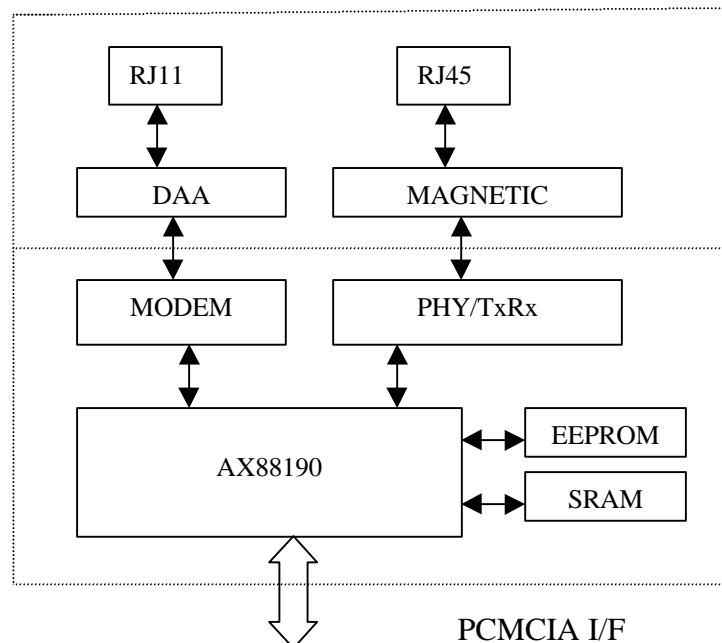
\*IEEE is a registered trademark of the Institute of Electrical and Electronic Engineers, Inc.

\*All other trademarks and registered trademark are the property of their respective holders.

#### Product description

The AX88190 Fast Ethernet Controller is a high performance PCMCIA bus Ethernet Controller. The AX88190 contains a 16 bit PCMCIA interfaces to host CPU and compliant with PC Card Standard – February 1995. The AX88190 implements both 10Mbps and 100Mbps Ethernet function based on IEEE802.3 / IEEE802.3u LAN standard. The AX88190 supports 10Mbps/100Mbps media-independent interface (MII) to simplify the design. The AX88190 is built in interface to connect FAX/MODEM chipset with parallel bus interface.

#### System Block Diagram



**Always contact ASIX for possible updates before starting a design.**

This data sheet contains new products information. ASIX ELECTRONICS reserves the rights to modify product specification without notice. No liability is assumed as a result of the use of this product. No rights under any patent accompany the sale of the product.



## CONTENTS

<b>1.0 INTRODUCTION .....</b>	<b>5</b>
1.1 GENERAL DESCRIPTION: .....	5
1.2 AX88190 BLOCK DIAGRAM:.....	5
1.3 AX88190 PIN CONNECTION DIAGRAM .....	6
<b>2.0 SIGNAL DESCRIPTION.....</b>	<b>7</b>
2.1 PCMCIA BUS INTERFACE SIGNALS GROUP .....	7
2.2 EEPROM SIGNALS GROUP .....	8
2.3 MII INTERFACE SIGNALS GROUP .....	8
2.4 MODEM INTERFACE PINS GROUP .....	9
2.5 SRAM INTERFACE PINS GROUP .....	9
2.6 MISCELLANEOUS PINS GROUP .....	10
2.7 POWER ON CONFIGURATION SETUP SIGNALS CROSS REFERENCE TABLE .....	10
<b>3.0 MEMORY AND I/O MAPPING .....</b>	<b>11</b>
3.1 EEPROM MEMORY MAPPING .....	11
3.2 ATTRIBUTE MEMORY MAPPING.....	11
3.3 I/O MAPPING.....	12
3.4 SRAM MEMORY MAPPING .....	12
<b>4.0 REGISTERS OPERATION.....</b>	<b>13</b>
4.1 PCMCIA FUNCTION CONFIGURATION REGISTER SET OF LAN.....	13
4.1.1 Configuration Option Register of LAN (LCOR) Offset 3C0H (Read/Write).....	14
4.1.2 Configuration and Status Register of LAN (LCSR) Offset 3C2H (Read/Write).....	15
4.1.3 I/O Base Register 0/1 of LAN (LIOBASE0/1) Offset 3CAH/3CCH (Read/Write).....	15
4.2 PCMCIA FUNCTION CONFIGURATION REGISTER SET OF MODEM.....	16
4.2.1 Configuration Option Register of MODEM (MCOR) Offset 3E0H (Read/Write).....	16
4.2.2 Configuration and Status Register of MODEM (MCSR) Offset 3E2H (Read/Write).....	17
4.2.3 I/O Base Register 0/1 of MODEM (MIOBASE0/1) Offset 3EAH/3ECH (Read/Write).....	17
4.3 REGISTERS OPERATION .....	18
4.3.1 Command Register (CR) Offset 00H (Read/Write).....	20
4.3.2 Interrupt Status Register (ISR) Offset 07H (Read/Write).....	20
4.3.3 Interrupt mask register (IMR) Offset 0FH (Write) .....	21
4.3.4 Data Configuration Register (DCR) Offset 0EH (Write).....	21
4.3.5 Transmit Configuration Register (TCR) Offset 0DH (Write).....	21
4.3.6 Transmit Status Register (TSR) Offset 04H (Read) .....	22
4.3.7 Receive Configuration (RCR) Offset 0CH (Write) .....	22
4.3.8 Receive Status Register (RSR) Offset 0CH (Read).....	22
4.3.9 Inter-frame gap (IFG) Offset 16H (Read/Write).....	22
4.3.10 Inter-frame gap Segment 1(IFGS1) Offset 12H (Read/Write).....	23
4.3.11 Inter-frame gap Segment 2(IFGS2) Offset 13H (Read/Write).....	23
4.3.12 MII/EEPROM Management Register (MEMR) Offset 14H (Read/Write).....	23
4.3.13 Test Register (TR) Offset 15H (Write).....	23
<b>5.0 PCMCIA DEVICE ACCESS FUNCTIONS.....</b>	<b>24</b>
5.1 ATTRIBUTE MEMORY ACCESS FUNCTION FUNCTIONS. ....	24
5.2 I/O ACCESS FUNCTION FUNCTIONS. ....	24
<b>6.0 ELECTRICAL SPECIFICATION AND TIMINGS .....</b>	<b>25</b>
6.1 ABSOLUTE MAXIMUM RATINGS.....	25
6.2 GENERAL OPERATION CONDITIONS .....	25
6.3 DC CHARACTERISTICS.....	25



6.4 A.C. TIMING CHARACTERISTICS.....	26
6.4.1 XTAL / CLOCK.....	26
6.4.2 Reset Timing.....	26
6.4.3 Attribute Memory Read Timing.....	27
6.4.4 Attribute Memory Write Timing.....	28
6.4.5 I/O Read Timing.....	29
6.4.6 I/O Write Timing.....	30
6.4.7 MII Timing.....	31
6.4.8 Asynchronous Memory I/F Access Timing.....	32
<b>7.0 PACKAGE INFORMATION .....</b>	<b>33</b>
<b>APPENDIX A: APPLICATION NOTE 1.....</b>	<b>34</b>
A.1 USING CRYSTAL .....	34
A.2 USING OSCILLATOR .....	34
A.3 DUAL POWER (5V AND 3.3V) APPLICATION.....	35
A.4 SINGLE POWER (3.3V) APPLICATION .....	35
A.5 DUAL POWER (5V AND 3.3V) APPLICATION WITH 3.3V PHY .....	36
<b>APPENDIX B: APPLICATION NOTE 2.....</b>	<b>37</b>
B.1 ADVANCE APPLICATION FOR USING CRYSTAL .....	37
<b>ERRATA OF AX88190 V1 .....</b>	<b>38</b>



**FIGURES**

FIG - 1 AX88190 BLOCK DIAGRAM .....5  
FIG - 2 AX88190 PIN CONNECTION DIAGRAM.....6

**TABLES**

TAB - 1 PCMCIA BUS INTERFACE SIGNALS GROUP .....7  
TAB - 2 EEPROM BUS INTERFACE SIGNALS GROUP.....8  
TAB - 3 MII INTERFACE SIGNALS GROUP.....8  
TAB - 4 MODEM INTERFACE SIGNALS GROUP.....9  
TAB - 5 SRAM INTERFACE PINS GROUP.....9  
TAB - 6 MISCELLANEOUS PINS GROUP.....10  
TAB - 7 POWER ON CONFIGURATION SETUP TABLE .....10  
TAB - 8 EEPROM MEMORY MAPPING.....11  
TAB - 9 ATTRIBUTE MEMORY MAPPING .....11  
TAB - 10 I/O ADDRESS MAPPING .....12  
TAB - 11 LOCAL MEMORY MAPPING .....12  
TAB - 12 PCMCIA FUNCTION CONFIGURATION REGISTER MAPPING OF LAN.....13  
TAB - 13 PCMCIA FUNCTION CONFIGURATION REGISTER MAPPING OF MODEM.....16  
TAB - 14 PAGE 0 OF MAC CORE REGISTERS MAPPING.....18  
TAB - 15 PAGE 1 OF MAC CORE REGISTERS MAPPING.....19



## **1.0 Introduction**

### **1.1 General Description:**

The AX88190 provides industrial standard NE2000 registers level compatible instruction set. Various drivers are easy acquired, maintenance and usage with no pain and tears

The AX88190 Fast Ethernet Controller is a high performance PCMCIA bus Ethernet Controller. The AX88190 contains a 16 bit PCMCIA interfaces to host CPU and compliant with PC Card Standard – February 1995. The AX88190 implements both 10Mbps and 100Mbps Ethernet function based on IEEE802.3 / IEEE802.3u LAN standard. The AX88190 supports 10Mbps/100Mbps media-independent interface (MII) to simplify the design. The AX88190 is built in interface to connect FAX/MODEM chipset with parallel bus interface.

AX88190A use 128-pin LQFP low profile package, 25MHz operation frequency, dual 5V and 3.3V CMOS process with 5V I/O tolerance or pure 3.3V operation.

### **1.2 AX88190 Block Diagram:**

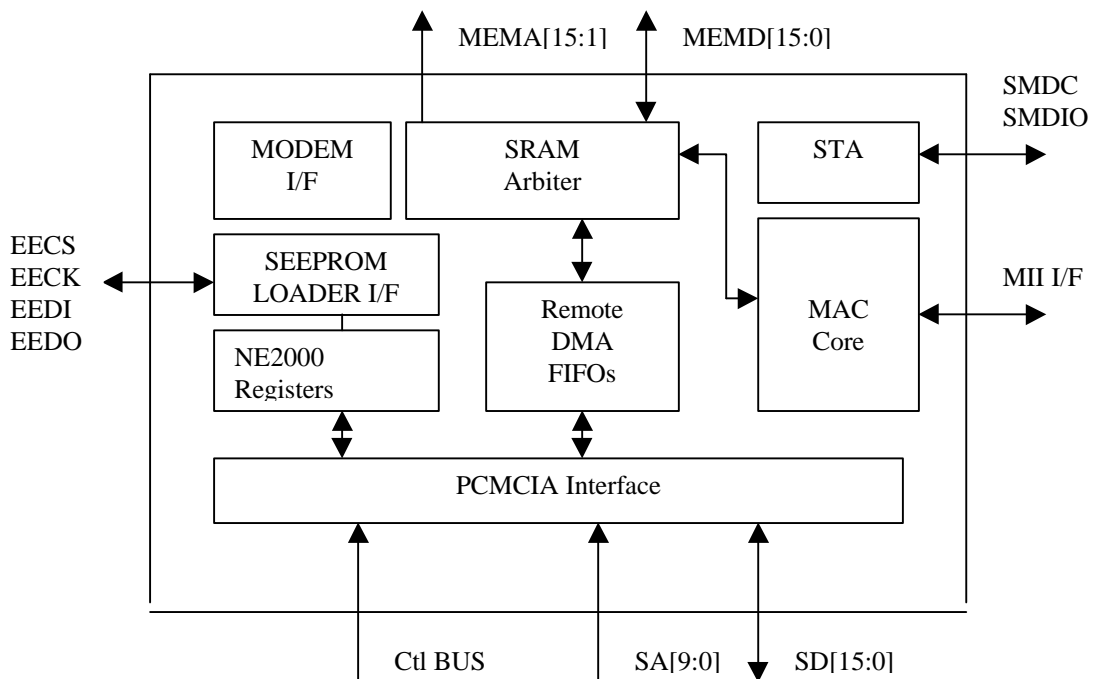


Fig - 1 AX88190 Block Diagram



### 1.3 AX88190 Pin Connection Diagram

The AX88190 is housed in the 128-pin plastic light quad flat pack Fig - 2 AX88190 Pin Connection Diagram shows the AX88190 pin assignment.

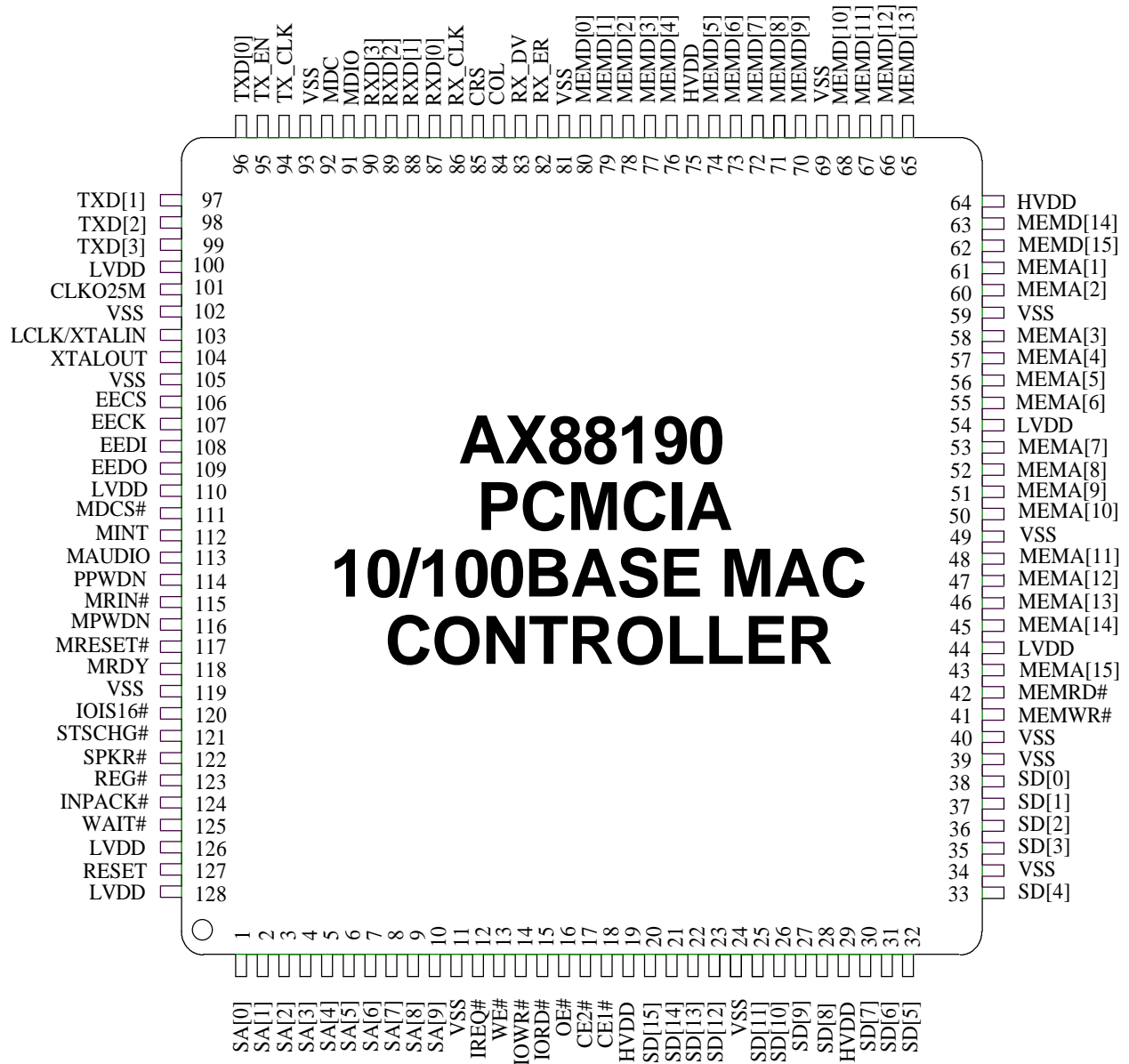
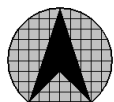


Fig - 2 AX88190 Pin Connection Diagram



## 2.0 Signal Description

The following terms describe the AX88190 pin-out:

All pin names with the “#” suffix are asserted low.

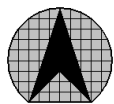
The following abbreviations are used in following Tables.

<b>I</b>	<b>Input</b>	<b>PU</b>	<b>Pull Up</b>
<b>O</b>	<b>Output</b>	<b>PD</b>	<b>Pull Down</b>
<b>I/O</b>	<b>Input/Output</b>	<b>P</b>	<b>Power Pin</b>
<b>OD</b>	<b>Open Drain</b>		

### 2.1 PCMCIA Bus Interface Signals Group

SIGNAL	TYPE	PIN NO.	DESCRIPTION
SA[9:0]	I	10 – 1	System Address : Signals SA[9:0] are address bus input lines which enable direct address of up to 64K memory and I/O spaces on card.
SD[15:0]	I/O	20 – 23, 25 – 38, 30 – 33, 35 – 38	System Data Bus : Signals SD[15:0] constitute the bi-directional data bus.
IREQ#	O	12	Interrupt Request : IREQ# is asserted to indicate the host system that the PC Card device requires host software service.
WAIT#	O	125	Wait : This signal is set low to insert wait states during Remote DMA transfer.
REG#	I	123	Attribute Memory and I/O Space Select : When the REG# signal is asserted, access is limited to Attribute Memory and to the I/O space.
IORD#	I	15	I/O Read : The host asserts IORD# to read data from AX88190 I/O space.
IOWR#	I	14	I/O Write : The host asserts IOWR# to write data into AX88190 I/O space.
OE#	I	16	Output Enable : The OE# line is used to gate Memory Read data from memory on PC Card
WE#	I	13	Write Enable : The WE# signal is used for strobing Memory Write data into the memory on PC Card.
IOIS16#	O	120	I/O is 16 Bit Port : The IOIS16# is asserted when the address at the socket corresponds to an I/O address to which the card responds, and the I/O port addressed is capable of 16-bit access.
INPACK#	O	124	Input Port Acknowledge : The signal is asserted when the AX88190 is selected and can respond to and I/O read cycle at the address on the address bus.
CE1#-CE2#	I	18, 17	Card Enable : The CE1# enables even numbered address bytes and CE2# enables odd numbered address bytes
BVD1_STSCHG#	O	121	Battery Voltage Detect 1 / Status Change
BVD2_SPKR#	O	122	Battery Voltage Detect 2 / Audio speaker out

Tab - 1 PCMCIA bus interface signals group



## 2.2 EEPROM Signals Group

SIGNAL	TYPE	PIN NO.	DESCRIPTION
EECS	O	106	EEPROM Chip Select : EEPROM chip select signal.
EECK	O	107	EEPROM Clock : Signal connected to EEPROM clock pin.
EEDI	O	108	EEPROM Data In : Signal connected to EEPROM data input pin.
EEDO	I/PU	109	EEPROM Data Out : Signal connected to EEPROM data output pin.

Tab - 2 EEPROM bus interface signals group

## 2.3 MII interface signals group

SIGNAL	TYPE	PIN NO.	DESCRIPTION
RXD[3:0]	I	90 – 87	Receive Data : RXD[3:0] is driven by the PHY synchronously with respect to RX_CLK.
CRS	I	85	Carrier Sense : Asynchronous signal CRS is asserted by the PHY when either the transmit or receive medium is non-idle.
RX_DV	I	83	Receive Data Valid : RX_DV is driven by the PHY synchronously with respect to RX_CLK. Asserted high when valid data is present on RXD [3:0].
RX_ER	I	82	Receive Error : RX_ER ,is driven by PHY and synchronous to RX_CLK, is asserted for one or more RX_CLK periods to indicate to the port that an error has detected.
RX_CLK	I	86	Receive Clock : RX_CLK is a continuous clock that provides the timing reference for the transfer of the RX_DV,RXD[3:0] and RX_ER signals from the PHY to the MII port of the repeater.
COL	I	84	Collision : this signal is driven by PHY when collision is detected.
TX_EN	O	95	Transmit Enable : TX_EN is transition synchronously with respect to the rising edge of TX_CLK. TX_EN indicates that the port is presenting nibbles on TXD [3:0] for transmission.
TXD[3:0]	O	99 – 96	Transmit Data : TXD[3:0] is transition synchronously with respect to the rising edge of TX_CLK. For each TX_CLK period in which TX_EN is asserted, TXD[3:0] are accepted for transmission by the PHY.
TX_CLK	I	94	Transmit Clock : TX_CLK is a continuous clock from PHY. It provides the timing reference for the transfer of the TX_EN and TXD[3:0] signals from the MII port to the PHY.
MDC	O	92	Station Management Data Clock : The timing reference for MDIO. All data transfers on MDIO are synchronized to the rising edge of this clock. MDC is a 2.5MHz frequency clock output.
MDIO	I/O/PU	91	Station Management Data Input / Output : Serial data input/output transfers from/to the PHYs . The transfer protocol conforms to the IEEE 802.3u MII specification.

Tab - 3 MII interface signals group





## 2.4 Modem interface pins group

Signal Name	Type	Pin No.	Description
MRDY	I/PU	118	Modem Ready : MRDY low indicates that modem is initializing the modem after reset signal asserted or the modem is at SLEEP/STOP mode.
MRESET#	O	117	Modem Reset :This signal asserts low to reset the modem chipset.
MDCS#	O	111	Modem Chip Select : This signal connected to modem chip select pin.
MPWDN	O	116	Modem Power Down : Rockwell modem chipset, this signal asserts low to let modem chipset into power down mode. AT&T modem chipset, this signal asserts high to let modem chipset into power down mode.
MINT	I/PD	112	Modem Interrupt : This signal driven by modem chipset to active interrupt.
MRIN#	I/PU	115	Ring Input :This signal is driven by DAA's ring detect circuit. When a telephone ringing signal is being received.
MAUDIO	I/PD	113	Modem Audio : This signal is passed to PCMCIA interface via SPKR.

Tab - 4 Modem interface signals group

## 2.5 SRAM Interface pins group

SIGNAL	TYPE	PIN NO.	DESCRIPTION
MEMA[15:1]	O	43, 45 – 48, 50 – 53, 55 – 58, 60 – 61	SRAM Address :
MEMD[15:0]	I/O/PU	62 – 63, 65 – 68, 70 – 74, 76 – 80	SRAM Data :
MEMRD#	O	42	SRAM Read
MEMWR#	O	41	SRAM Write

Tab - 5 SRAM Interface pins group



## 2.6 Miscellaneous pins group

SIGNAL	TYPE	PIN NO.	DESCRIPTION
LCLK/XTALIN	I	103	CMOS Local Clock : A 25Mhz clock, +/- 100 ppm, 40%-60% duty cycle. Crystal Oscillator Input : A 25Mhz crystal, +/- 25 ppm can be connected across XTALIN and XTALOUT.
XTALOUT	O	104	Crystal Oscillator Output : A 25Mhz crystal, +/- 25 ppm can be connected across XTALIN and XTALOUT. If a single-ended external clock (LCLK) is connected to XTALIN, the crystal output pin should be left floating.
CLKO25M	O	101	Clock Output 25MHz : This clock is source from LCLK/XTALIN.
PPWDN	O	114	Phy Power Down : This pin connects to PHY chip power down mode control input.
RESET	I/PD	127	Reset Reset is active high then place AX88190 into reset mode immediately. During Falling edge the AX88190 loads the EEPROM data.
LVDD	P	44, 54, 100, 110, 126, 128	Power Supply : +3.3V DC.
HVDD	P	19, 29, 64, 75	Power Supply : +5V DC. Note : for pure 3.3V single power solution, all the HVDD pin can connect to +3.3V. Care should be taken that HVDD input power must be greater or equal ( $\geq$ ) than LVDD.
VSS	P	11, 24, 34, 39, 40, 49, 59, 69, 81, 93, 102, 105, 119	Power Supply : +0V DC or Ground Power.

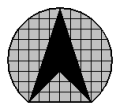
Tab - 6 Miscellaneous pins group

## 2.7 Power on configuration setup signals cross reference table

Signal Name	Share with	Description
EEPROM SIZE	MEMD[6]	EEPROM SIZE = 0 : Test mode. <b>EEPROM SIZE = 1 : Normal operation. (Default)</b>
MPD_SET	MEMD[5]	MPD_SET = 0 : MPWDN pin active high. MPD_SET = 1 : MPWDN pin active low.
PPD_SET	MEMD[4]	PPD_SET = 0 : PPWDN pin active high. PPD_SET = 1 : PPWDN pin active low.
TEST	MEMD[3]	TEST = 0 : Test mode. TEST = 1 : Normal operation. (Default)

**All of the above signals are pull-up for default values.**

Tab - 7 Power on Configuration Setup Table



### **3.0 Memory and I/O Mapping**

There are four memory or I/O mapping used in AX88190.

1. EEPROM Memory Mapping
2. Attribute Memory Mapping
3. I/O Mapping
4. Local Memory Mapping

### **3.1 EEPROM Memory Mapping**

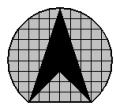
<b>EEPROM OFFSET</b>	<b>HIGH BYTE</b>	<b>LOW BYTE</b>
00H	RESERVED	WORD COUNT
01H	CFH	CFL
02H	NODE-ID1	NODE ID 0
03H	NODE ID 3	NODE ID 2
04H	NODE ID 5	NODE ID 4
05H	CHECKSUM	RESERVED
06H – 10H	RESERVED	RESERVED
10H – FFH	CIS	CIS

Tab - 8 EEPROM Memory Mapping

### **3.2 Attribute Memory Mapping**

<b>ATTRIBUTE MEMORY OFFSET</b>	<b>CONTENTS</b>
0000H	CIS
03BFH	
03C0H	LCOR
03C2H	LCCSR
03C4H	-
03C6H	-
03CAH	LIORBASE0
03CCH	LIORBASE1
03CEH	RESERVED
03DFH	
03E0H	MCOR
03E2H	MCCSR
03E4H	-
03E6H	-
03EAH	MIOBASE0
03ECH	MIOBASE1
03EEH	RESERVED
03FFH	

Tab - 9 Attribute Memory Mapping



### 3.3 I/O Mapping

SYSTEM I/O OFFSET	FUNCTION
0000H 001FH	MAC CORE REGISTER

Tab - 10 I/O Address Mapping

### 3.4 SRAM Memory Mapping

OFFSET	FUNCTION
0000H 03BFH	CIS *1
03C0H	LCOR *1
03C2H	LCCSR *1
03C4H	-
03C6H	-
03CAH	LIODBASE0 *1
03CCH	LIODBASE1 *1
03CEH 03DFH	RESERVED
03E0H	MCOR *1
03E2H	MCCSR *1
03E4H	-
03E6H	-
03EAH	MIODBASE0 *1
03ECH	MIODBASE1 *1
03EEH 03FFH	RESERVED
0400H	NODE ID 0
0401H	NODE ID 1
0402H	NODE ID 2
0403H	NODE ID 3
0404H	NODE ID 4
0405H	NODE ID 5
0406H 07FFH	RESERVED
0800H FFFFH	62K X 8 SRAM BUFFER

Tab - 11 Local Memory Mapping



## **4.0 Registers Operation**

There are four register sets in AX88190 :

1. The PCMCIA function configuration registers of LAN.
2. The PCMCIA function configuration registers of MODEM.
3. The MAC core register.
4. The special registers.

### **4.1 PCMCIA Function Configuration Register Set of LAN**

<b>REGISTER</b>	<b>NAME</b>	<b>OFFSET</b>
LCOR	CONFIGURATION OPTION REGISTER	3C0H
LCSR	CONFIGURATION AND STATUS REGISTER	3C2H
LIORBASE0	I/O BASED REGISTER 0	3CAH
LIORBASE1	I/O BASED REGISTER 1	3CCH

Tab - 12 PCMCIA Function Configuration Register Mapping of LAN

**4.1.1 Configuration Option Register of LAN (LCOR) Offset 3C0H (Read/Write)**

<b>FIELD</b>	<b>R/W/C</b>	<b>DESCRIPTION</b>															
7	R/W	<p>Software Reset</p> <p>Assert this bit will reset the LAN function of AX88190. Return a 0 to this bit will leave the LAN function of AX88190 in a post-reset state as same as that following a hardware reset. The value of this bit is 0 at power-on.</p>															
6	R/W	<p>Level IRQ</p> <p>This bit should be set to 1, the AX88190 always generates Level Mode Interrupt.</p>															
5:0	R/W	<p>Function Configuration Index</p> <p>These six bits are used to indicate entry of the card configuration table locate in the CIS. The default value is 0</p> <p>.</p> <p>On multifunction PC Card,</p> <p>Bit 5, Bit 4 : MODEM I/O base registers</p> <table border="0"> <tr> <td>Bit 5</td> <td>Bit 4</td> <td>MODEM I/O base</td> </tr> <tr> <td>0</td> <td>0</td> <td>Decided by MIOBASE registers ( See section 4.2.3 )</td> </tr> <tr> <td>0</td> <td>1</td> <td>2f8H</td> </tr> <tr> <td>1</td> <td>0</td> <td>3e8H</td> </tr> <tr> <td>1</td> <td>1</td> <td>2e8H</td> </tr> </table> <p>Bit 3 : Enable Power Down mode</p> <p>If bit 0 of LCOR is set to 0, this bit is ignored.</p> <p>If bit 0 of LCOR is set to 1 and this bit is set to 1, the LAN will go into power down mode. At power down mode AX88190 will disable MAC transmitting and receiving operation. But the host interface will not be affected.</p> <p>Bit 2 : Enable IREQ# Routing</p> <p>If bit 0 of LCOR is set to 0, this bit is ignored.</p> <p>If bit 0 of LCOR is set to 1 and this bit is set to 1, the LAN will generate interrupt request via IREQ# signal. If this bit is set to 0, the LAN will not generate interrupt request via IREQ# line.</p> <p>Bit 1 : Enable Base and Limit Registers</p> <p>If bit 0 of LCOR is set to 0, this bit is ignored.</p> <p>If bit 0 of LCOR is set to 1 and this bit is set to 1, only I/O addresses that are qualified by the Base and Limit registers are passed to LAN function. If this bit is set to 0, all I/O addresses are passed to LAN function.</p> <p>Bit 0 : Enable Function</p> <p>If this bit is set to 0, the LAN function is disabled.</p> <p>If this bit is set to 1, the LAN function is enabled.</p>	Bit 5	Bit 4	MODEM I/O base	0	0	Decided by MIOBASE registers ( See section 4.2.3 )	0	1	2f8H	1	0	3e8H	1	1	2e8H
Bit 5	Bit 4	MODEM I/O base															
0	0	Decided by MIOBASE registers ( See section 4.2.3 )															
0	1	2f8H															
1	0	3e8H															
1	1	2e8H															

**4.1.2 Configuration and Status Register of LAN (LCSR) Offset 3C2H (Read/Write)**

<b>FIELD</b>	<b>R/W/C</b>	<b>DESCRIPTION</b>
7:3	-	Reserved
2	R/W	PPwrDwn : PHY power down setting While this bit set to 1, PPWDN pin (pin 114) will be active to force PHY chip into power down mode. As for PPWDN is active high or active low. Please refer section 2.7 Power on configuration setup signal cross reference table.
1	R	Intr : Interrupt Request The LAN function will set this bit to 1 when it need interrupt service and set it to 0 when it is not request interrupt service.
0	R	IntrAck : Interrupt Acknowledge This bit will be 0. The Intr will reflect the status of interrupt requesting.

**4.1.3 I/O Base Register 0/1 of LAN (LIOBASE0/1) Offset 3CAH/3CCH (Read/Write)**

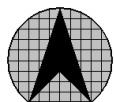
The I/O Base registers (LIOBASE0 and LIOBASE1) determine the base address of the I/O range used to access the LAN specific registers (MAC Core Registers).

**I/O Base Register 0**

<b>FIELD</b>	<b>R/W/C</b>	<b>DESCRIPTION</b>
7:0	R/W	Base I/O address bit 7 – 0.

**I/O Base Register 1**

<b>FIELD</b>	<b>R/W/C</b>	<b>DESCRIPTION</b>
7:0	R/W	Base I/O address bit 15 – 8.



## 4.2 PCMCIA Function Configuration Register Set of MODEM

REGISTER	NAME	OFFSET
MCOR	CONFIGURATION OPTION REGISTER	3E0H
MCSR	CONFIGURATION AND STATUS REGISTER	3E2H
MIODBASE0	I/O BASED REGISTER 0	3EAH
MIODBASE1	I/O BASED REGISTER 1	3ECH

Tab - 13 PCMCIA Function Configuration Register Mapping of MODEM

### 4.2.1 Configuration Option Register of MODEM (MCOR) Offset 3E0H (Read/Write)

FIELD	R/W/C	DESCRIPTION
7	R/W	Software Reset Assert this bit will reset the MODEM function of AX88190. Return a 0 to this bit will leave the MODEM function of AX88190 in a post-reset state as same as that following a hardware reset. The value of this bit is 0 at power-on.
6	R/W	Level IRQ This bit should be set to 1, the AX88190 always generates Level Mode Interrupt.
5:0	R/W	Function Configuration Index These six bits are used to indicate entry of the card configuration table locate in the CIS. The default value is 0 . On multifunction PC Card, Bit 5, Bit4 : Reserved Bit 3 : IREQ# route to STSCHG# If bit 0 of MCOR is set to 0, this bit is ignored. If both bit 0 and bit 2 of MCOR are set to 1 and this bit is set to 1, the MODEM will route interrupt request to STSCHG# signal. If this bit is set to 0, the MODEM will generate interrupt request via IREQ# line. Bit 2 : Enable IREQ# Routing If bit 0 of MCOR is set to 0, this bit is ignored. If bit 0 of MCOR is set to 1 and this bit is set to 1, the MODEM will generate interrupt request via IREQ# signal. If this bit is set to 0, the MODEM will not generate interrupt request via IREQ# line. Bit 1 : Enable Base and Limit Registers If bit 0 of MCOR is set to 0, this bit is ignored. If bit 0 of MCOR is set to 1 and this bit is set to 1, only I/O addresses that are qualified by the Base and Limit registers are passed to MODEM function. If this bit is set to 0, all I/O addresses are passed to LAN function. Bit 0 : Enable Function If this bit is set to 0, the MODEM function is disabled. If this bit is set to 1, the MODEM function is enabled.



**4.2.2 Configuration and Status Register of MODEM (MCSR) Offset 3E2H (Read/Write)**

<b>FIELD</b>	<b>R/W/C</b>	<b>DESCRIPTION</b>
7:3	-	Reserved
2	R/W	MPwrDwn : Modem power down setting While this bit set to 1, MPWDN pin (pin 116) will be active to force modem chip into power down mode. As for MPWDN is active high or active low. Please refer section 2.7 Power on configuration setup signal cross reference table.
1	R	Intr : Interrupt Request The LAN function will set this bit to 1 when it need interrupt service and set it to 0 when it is not request interrupt service.
0	R	IntrAck : Interrupt Acknowledge This bit will be 0. The Intr will reflect the status of interrupt requesting.

**4.2.3 I/O Base Register 0/1 of MODEM (MIOBASE0/1) Offset 3EAH/3ECH (Read/Write)**

The I/O Base registers (MIOBASE0 and MIOBASE1) determine the base address of the I/O range used to access the MODEM specific registers.

**I/O Base Register 0**

<b>FIELD</b>	<b>R/W/C</b>	<b>DESCRIPTION</b>
7:0	R/W	Base I/O address bit 7 – 0.

**I/O Base Register 1**

<b>FIELD</b>	<b>R/W/C</b>	<b>DESCRIPTION</b>
7:0	R/W	Base I/O address bit 15 – 8.



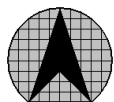
### 4.3 Registers Operation

All registers of MAC Core are 8-bit wide and mapped into pages which are selected by PS in the Command Register.

PAGE 0 (PS1=0,PS0=0)

OFFSET	READ	WRITE
00H	Command Register ( CR )	Command Register ( CR )
01H	Page Start Register ( PSTART )	Page Start Register ( PSTART )
02H	Page Stop Register ( PSTOP )	Page Stop Register ( PSTOP )
03H	Boundary Pointer ( BNR )	Boundary Pointer ( BNR )
04H	Transmit Status Register ( TSR )	Transmit Page Start Address ( TPSR )
05H	Number of Collisions Register ( NCR )	Transmit Byte Count Register 0 ( TBCR0 )
06H	Current Page Register ( CPR )	Transmit Byte Count Register 1 ( TBCR1 )
07H	Interrupt Status Register ( ISR )	Interrupt Status Register ( ISR )
08H	Current Remote DMA Address 0 ( CRDA0 )	Remote Start Address Register 0 ( RSAR0 )
09H	Current Remote DMA Address 1 ( CRDA1 )	Remote Start Address Register 1 ( RSAR1 )
0AH	Reserved	Remote Byte Count 0 ( RBCR0 )
0BH	Reserved	Remote Byte Count 1 ( RBCR1 )
0CH	Receive Status Register ( RSR )	Receive Configuration Register ( RCR )
0DH	Frame Alignment Errors ( CNTR0 )	Transmit Configuration Register ( TCR )
0EH	CRC Errors ( CNTR1 )	Data Configuration Register ( DCR )
0FH	Missed Packet Errors ( CNTR2 )	Interrupt Mask Register ( IMR )
10H	Data Port	Data Port
11H		
12H	IFGS1	IFGS1
13H	IFGS2	IFGS2
14H	MII/EEPROM Access	MII/EEPROM Access
15H	-	Test Register
16H	Inter-frame Gap (IFG)	Inter-frame Gap (IFG)
17H to 1EH	Reserved	Reserved
1FH	Reset	Reserved

Tab - 14 Page 0 of MAC Core Registers Mapping



PAGE 1 (PS1=0,PS0=1)

<b>OFFSET</b>	<b>READ</b>	<b>WRITE</b>
00H	Command Register ( CR )	Command Register ( CR )
01H	Physical Address Register 0 ( PARA0 )	Physical Address Register 0 ( PAR0 )
02H	Physical Address Register 1 ( PARA1 )	Physical Address Register 1 ( PAR1 )
03H	Physical Address Register 2 ( PARA2 )	Physical Address Register 2 ( PAR2 )
04H	Physical Address Register 3 ( PARA3 )	Physical Address Register 3 ( PAR3 )
05H	Physical Address Register 4 ( PARA4 )	Physical Address Register 4 ( PAR4 )
06H	Physical Address Register 5 ( PARA5 )	Physical Address Register 5 ( PAR5 )
07H	Current Page Register ( CPR )	Current Page Register ( CPR )
08H	Multicast Address Register 0 ( MAR0 )	Multicast Address Register 0 ( MAR0 )
09H	Multicast Address Register 1 ( MAR1 )	Multicast Address Register 1 ( MAR1 )
0AH	Multicast Address Register 2 ( MAR2 )	Multicast Address Register 2 ( MAR2 )
0BH	Multicast Address Register 3 ( MAR3 )	Multicast Address Register 3 ( MAR3 )
0CH	Multicast Address Register 4 ( MAR4 )	Multicast Address Register 4 ( MAR4 )
0DH	Multicast Address Register 5 ( MAR5 )	Multicast Address Register 5 ( MAR5 )
0EH	Multicast Address Register 6 ( MAR6 )	Multicast Address Register 6 ( MAR6 )
0FH	Multicast Address Register 7 ( MAR7 )	Multicast Address Register 7 ( MAR7 )
10H 11H	Data Port	Data Port
12H	Inter-frame Gap Segment 1 IFGS1	Inter-frame Gap Segment 1 IFGS1
13H	Inter-frame Gap Segment 2 IFGS2	Inter-frame Gap Segment 2 IFGS2
14H	MII/EEPROM Access	MII/EEPROM Access
15H	-	Test Register
16H	Inter-frame Gap (IFG)	Inter-frame Gap (IFG)
17H to 1EH	Reserved	Reserved
1FH	Reset	Reserved

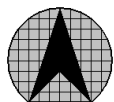
Tab - 15 Page 1 of MAC Core Registers Mapping

**4.3.1 Command Register (CR) Offset 00H (Read/Write)**

FIELD	NAME	DESCRIPTION																								
7:6	PS1,PS0	PS1,PS0 : Page Select The two bit selects which register page is to be accessed. <table style="margin-left: 40px;"> <tr> <td>PS1</td> <td>PS0</td> <td></td> </tr> <tr> <td>0</td> <td>0</td> <td>page 0</td> </tr> <tr> <td>0</td> <td>1</td> <td>page 1</td> </tr> </table>	PS1	PS0		0	0	page 0	0	1	page 1															
PS1	PS0																									
0	0	page 0																								
0	1	page 1																								
5:3	RD2,RD1,RD0	RD2,RD1,RD0 : Remote DMA Command These three encoded bits control operation of the Remote DMA channel. RD2 could be set to abort any Remote DMA command in process. RD2 is reset by AX88190 when a Remote DMA has been completed. The Remote Byte Count should be cleared when a Remote DMA has been aborted. The Remote Start Address are not restored to the starting address if the Remote DMA is aborted. <table style="margin-left: 40px;"> <tr> <td>RD2</td> <td>RD1</td> <td>RD0</td> <td></td> </tr> <tr> <td>0</td> <td>0</td> <td>0</td> <td>Not allowed</td> </tr> <tr> <td>0</td> <td>0</td> <td>1</td> <td>Remote Read</td> </tr> <tr> <td>0</td> <td>1</td> <td>0</td> <td>Remote Write</td> </tr> <tr> <td>0</td> <td>1</td> <td>1</td> <td>Not allowed</td> </tr> <tr> <td>1</td> <td>X</td> <td>X</td> <td>Abort / Complete Remote DMA</td> </tr> </table>	RD2	RD1	RD0		0	0	0	Not allowed	0	0	1	Remote Read	0	1	0	Remote Write	0	1	1	Not allowed	1	X	X	Abort / Complete Remote DMA
RD2	RD1	RD0																								
0	0	0	Not allowed																							
0	0	1	Remote Read																							
0	1	0	Remote Write																							
0	1	1	Not allowed																							
1	X	X	Abort / Complete Remote DMA																							
2	TXP	TXP : Transmit Packet This bit could be set to initiate transmission of a packet																								
1	START	START : This bit is used to active AX88190 operation.																								
0	STOP	STOP : Stop AX88190 This bit is used to stop the AX88190 operation.																								

**4.3.2 Interrupt Status Register (ISR) Offset 07H (Read/Write)**

FIELD	NAME	DESCRIPTION
7	RST	Reset Status : Set when AX88190 enters reset state and cleared when a start command is issued to the CR. Writing to this bit is no effect.
6	RDC	Remote DMA Complete Set when remote DMA operation has been completed
5	CNT	Counter Overflow Set when MSB of one or more of the Tally Counters has been set.
4	OVW	OVERWRITE : Set when receive buffer ring storage resources have been exhausted.
3	TXE	Transmit Error Set when packet transmitted with one or more of the following errors <ul style="list-style-type: none"> <li>■ Excessive collisions</li> <li>■ FIFO Under-run</li> </ul>
2	RXE	Receive Error Indicates that a packet was received with one or more of the following errors <ul style="list-style-type: none"> <li>CRC error</li> <li>Frame Alignment Error</li> <li>FIFO Overrun</li> <li>Missed Packet</li> </ul>
1	PTX	Packet Transmitted Indicates packet transmitted with no error
0	PRX	Packet Received Indicates packet received with no error.

**4.3.3 Interrupt mask register (IMR) Offset 0FH (Write)**

FIELD	NAME	DESCRIPTION
7	-	Reserved
6	RDCE	DMA Complete Interrupt Enable. Default "low" disabled.
5	CNTE	Counter Overflow Interrupt Enable. Default "low" disabled.
4	OVWE	Overwrite Interrupt Enable. Default "low" disabled.
3	TXEE	Transmit Error Interrupt Enable. Default "low" disabled.
2	RXEE	Receive Error Interrupt Enable. Default "low" disabled.
1	PTXE	Packet Transmitted Interrupt Enable. Default "low" disabled.
0	PRXE	Packet Received Interrupt Enable. Default "low" disabled.

**4.3.4 Data Configuration Register (DCR) Offset 0EH (Write)**

FIELD	NAME	DESCRIPTION
7	RDCR	Remote DMA always completed
6:2	-	Reserved
1	BOS	Byte Order Select 0: MS byte placed on AD15:AD8 and LS byte on AD7-AD0 (80X86). 1: MS byte placed on AD7::AD0 and LS byte on AD15:AD0(68K)
0	WTS	Word Transfer Select 0 : Selects byte-wide DMA transfers. 1 : Selects word-wide DMA transfers.

**4.3.5 Transmit Configuration Register (TCR) Offset 0DH (Write)**

FIELD	NAME	DESCRIPTION
7	FDU	Full Duplex : This bit indicates the current media mode is Full Duplex or not. 0 : Half duplex 1 : Full duplex
6	PD	Pad Disable 0 : Pad will be added when packet length less than 60. 1 : Pad will not be added when packet length less than 60.
5	RLO	Retry of late collision 0 : Don't retransmit packet when late collision happens. 1 : Retransmit packet when late collision happens.
4:3	-	Reserved
2:1	LB1,LB0	Encoded Loop-back Control These encoded configuration bits set the type of loop-back that is to be performed. LB1 LB0 Mode 0 0 0 Normal operation Mode 1 0 1 Internal NIC loop-back Mode 2 1 0 PHYcevisor loop-back
0	CRC	Inhibit CRC 0 : CRC appended by transmitter. 1 : CRC inhibited by transmitter.

**4.3.6 Transmit Status Register (TSR) Offset 04H (Read)**

FIELD	NAME	DESCRIPTION
7	OWC	Out of window collision
6:4	-	Reserved
3	ABT	Transmit Aborted Indicates the AX88190 aborted transmission because of excessive collision.
2	COL	Transmit Collided Indicates that the transmission collided at least once with another station on the network.
1	-	Reserved
0	PTX	Packet Transmitted Indicates transmission without error.

**4.3.7 Receive Configuration (RCR) Offset 0CH (Write)**

FIELD	NAME	DESCRIPTION
7	-	Reserved
6	INTT	<b>Interrupt Trigger Mode Must be setting to "1".</b>
5	MON	Monitor Mode 0 : Normal Operation 1 : Monitor Mode, the input packet will be checked on NODE ADDRESS and CRC but not buffered into memory.
4	PRO	PRO : Promiscuous Mode Enable the receiver to accept all packets with a physical address.
3	AM	AM : Accept Multicast Enable the receiver to accept packets with a multicast address. That multicast address must pass the hashing array.
2	AB	AB : Accept Broadcast Enable the receiver to accept broadcast packet.
1	AR	AR : Accept Runt Enable the receiver to accept runt packet.
0	SEP	SEP : Save Error Packet Enable the receiver to accept and save packets with error.

**4.3.8 Receive Status Register (RSR) Offset 0CH (Read)**

FIELD	NAME	DESCRIPTION
7	-	Reserved
6	DIS	Receiver Disabled
5	PHY	Multicast Address Received.
4	MPA	Missed Packet
3	FO	FIFO Overrun
2	FAE	Frame alignment error.
1	CR	CRC error.
0	PRX	Packet Received Intact

**4.3.9 Inter-frame gap (IFG) Offset 16H (Read/Write)**

FIELD	NAME	DESCRIPTION
7	-	Reserved
6:0	IFG	Inter-frame Gap. Default value 15H.

**4.3.10 Inter-frame gap Segment 1(IFGS1) Offset 12H (Read/Write)**

FIELD	NAME	DESCRIPTION
7	-	Reserved
6:0	IFG	Inter-frame Gap Segment 1. Default value 0cH.

**4.3.11 Inter-frame gap Segment 2(IFGS2) Offset 13H (Read/Write)**

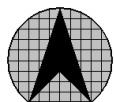
FIELD	NAME	DESCRIPTION
7	-	Reserved
6:0	IFG	Inter-frame Gap Segment 2. Default value 11H.

**4.3.12 MII/EEPROM Management Register (MEMR) Offset 14H (Read/Write)**

FIELD	NAME	DESCRIPTION
7	EECLK	EECLK: EEPROM Clock
6	EEO	EEO : (Read only) EEPROM Data Out value. That reflects Pin-109 EEDO value.
5	EEI	EEI EEPROM Data In. That output to Pin-108 EEDI as EEPROM data input value.
4	EECS	EECS EEPROM Chip Select
3	MDO	MDO MII Data Out
2	MDI	MDI: (Read only) MII Data In. That reflects Pin-91 MDIO value.
1	MDIR	MII STA MDIO signal Direction MII Read Control Bit, assert this bit let MDIO signal as the input signal. Deassert this bit let MDIO as output signal.
0	MDC	MDC MII Clock

**4.3.13 Test Register (TR) Offset 15H (Write)**

FIELD	NAME	DESCRIPTION
7:5	-	Reserved
4	TF16T	Test for Collision
3	TPE	Test pin Enable
2:0	IFG	Select Test Pins Output



## 5.0 PCMCIA Device Access Functions

The AX88190, as a PCMCIA I/O device, needs support both Attribute Memory access function and I/O access function. The Access methods are described as the following sections.

### 5.1 Attribute Memory access function functions.

Attribute Memory Read function

Function Mode	REG#	CE2#	CE1#	SA0	OE#	WE#	SD[15:8]	SD[7:0]
Standby Mode	X	H	H	X	X	X	High-Z	High-Z
Byte Access (8 bits)	L	H	L	L	L	H	High-Z	Even-Byte
	L	H	L	H	L	H	High-Z	Not Valid
Word Access (16 bits)	L	L	L	X	L	H	Not Valid	Even-Byte
Odd Byte Only Access	L	L	H	X	L	H	Not Valid	High-Z

Attribute Memory Write function

Function Mode	REG#	CE2#	CE1#	SA0	OE#	WE#	SD[15:8]	SD[7:0]
Standby Mode	X	H	H	X	X	X	X	X
Byte Access (8 bits)	L	H	L	L	H	L	X	Even-Byte
	L	H	L	H	H	L	X	X
Word Access (16 bits)	L	L	L	X	H	L	X	Even-Byte
Odd Byte Only Access	L	L	H	X	H	L	X	X

### 5.2 I/O access function functions.

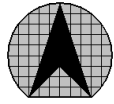
I/O Read function

Function Mode	REG#	CE2#	CE1#	SA0	OE#	WE#	SD[15:8]	SD[7:0]
Standby Mode	X	H	H	X	X	X	High-Z	High-Z
Byte Access (8 bits)	L	H	L	L	L	H	High-Z	Even-Byte
	L	H	L	H	L	H	High-Z	Odd-Byte
Word Access (16 bits)	L	L	L	L	L	H	Odd-Byte	Even-Byte
I/O Inhibit	H	X	X	X	L	H	High-Z	High-Z
Odd Byte Only Access	L	L	H	X	L	H	Odd-Byte	High-Z

I/O Write function

Function Mode	REG#	CE2#	CE1#	SA0	IORD#	IOWR#	SD[15:8]	SD[7:0]
Standby Mode	X	H	H	X	X	X	X	X
Byte Access (8 bits)	L	H	L	L	H	L	X	Even-Byte
	L	H	L	H	H	L	X	Odd-Byte
Word Access (16 bits)	L	L	L	L	H	L	Odd-Byte	Even-Byte
I/O Inhibit	H	X	X	X	H	L	X	X
Odd Byte Only Access	L	L	H	X	H	L	Odd-Byte	X





## 6.0 Electrical Specification and Timings

### 6.1 Absolute Maximum Ratings

Description	SYM	Min	Max	Units
Operating Temperature	Ta	0	+85	°C
Storage Temperature	Ts	-55	+150	°C
Supply Voltage	HVdd	-0.3	+6	V
Supply Voltage	LVdd	-0.3	+4.6	V
Input Voltage	HVin	-0.3	HVdd+0.5	V
	LVin	-0.3	LVdd+0.5	V
Output Voltage	HVout	-0.3	HVdd+0.5	V
	LVin	-0.3	LVdd+0.5	V
Lead Temperature (soldering 10 seconds maximum)	Tl	-55	+220	°C

Note : Stress above those listed under Absolute Maximum Ratings may cause permanent damage to the device.

Exposure to Absolute Maximum Ratings conditions for extended period, adversely affect device life and reliability.

Note : The power supply voltages must always fulfill HVdd >= LVdd inequality.

### 6.2 General Operation Conditions

Description	SYM	Min	Tpy	Max	Units
Operating Temperature	Ta	0	25	+75	°C
Supply Voltage	HVdd	+4.75V	+5.00V	+5.25V	V
	LVdd	+2.70	+3.00	+3.30	V
		+3.00	+3.30	+3.60	V

Note : The power supply voltages must always fulfill HVdd >= LVdd inequality.

### 6.3 DC Characteristics

(Vdd=5.0V, Vss=0V, Ta=0°C to 75°C)

Description	SYM	Min	Tpy	Max	Units
Low Input Voltage	Vil	-		0.8	V
High Input Voltage	Vih	2		-	V
Low Output Voltage	Vol	-		0.4	V
High Output Voltage	Voh	Vdd-0.4		-	V
Input Leakage Current	Iil	-1		+1	uA
Output Leakage Current	Iol	-1		+1	uA

(Vdd=3.0V to 3.6V, Vss=0V, Ta=0°C to 75°C)

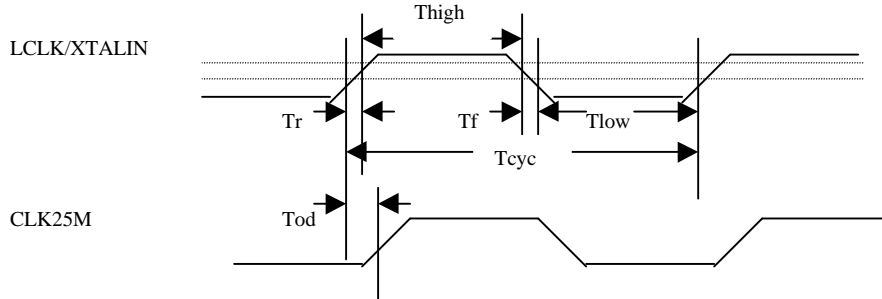
Description	SYM	Min	Tpy	Max	Units
Low Input Voltage	Vil	-		0.8	V
High Input Voltage	Vih	1.9		-	V
Low Output Voltage	Vol	-		0.4	V
High Output Voltage	Voh	Vdd-0.4		-	V
Input Leakage Current	Iil	-1		+1	uA
Output Leakage Current	Iol	-1		+1	uA

Description	SYM	Min	Tpy	Max	Units
Power Consumption (Dual power)	DPT5v		22		mA
	DPT3v		40		mA
Power Consumption (Single power 3.3V)	SPT3v		48		mA



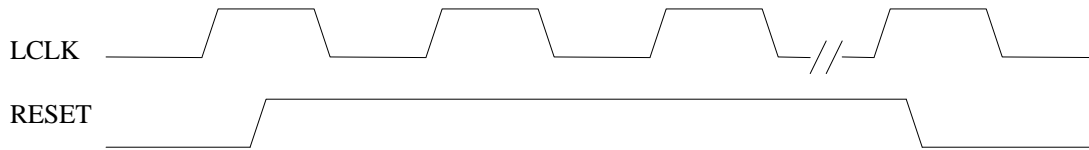
### 6.4 A.C. Timing Characteristics

#### 6.4.1 XTAL / CLOCK



Symbol	Description	Min	Typ.	Max	Units
Tcyc	CYCLE TIME		40		ns
Thigh	CLK HIGH TIME	16	20	24	ns
Tlow	CLK LOW TIME	16	20	24	ns
Tr/Tf	CLK SLEW RATE	1	-	4	ns
Tod	LCLK/XTALIN TO CLK25M OUT DELAY		10		

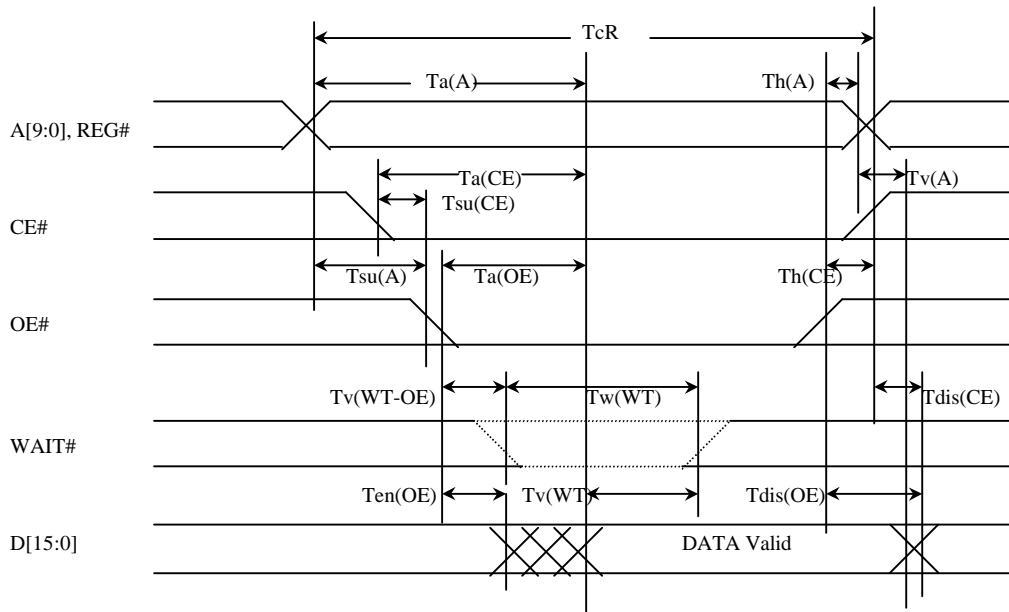
#### 6.4.2 Reset Timing



Symbol	Description	Min	Typ.	Max	Units
Trst	Reset pulse width	100	-	-	LClk



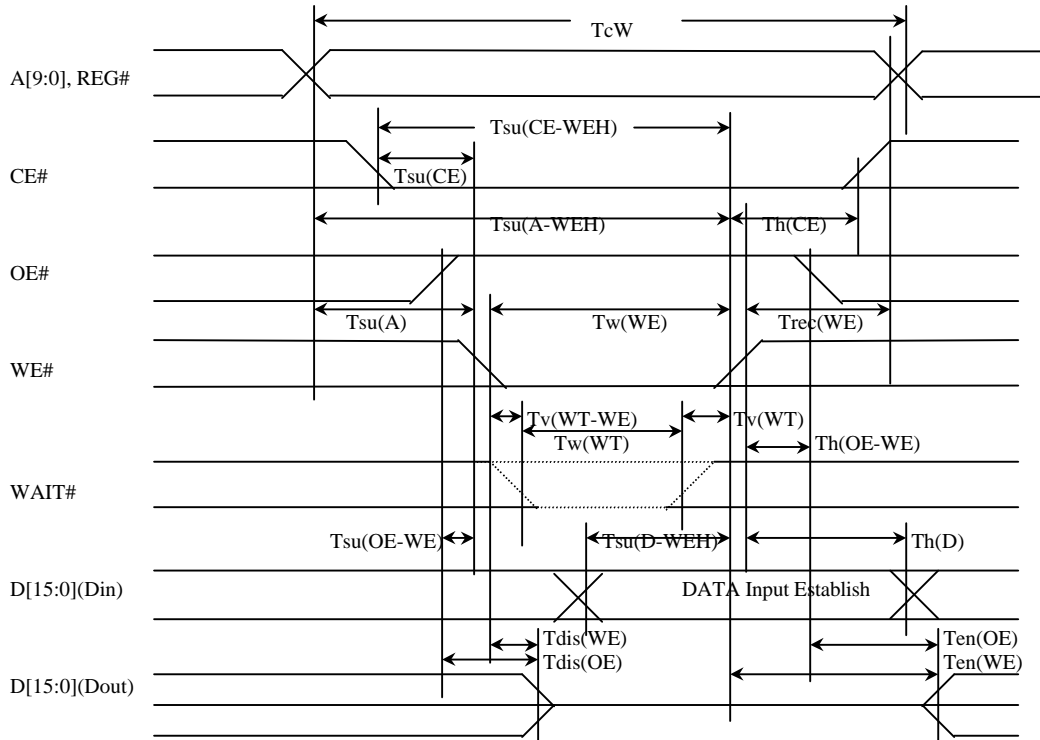
6.4.3 Attribute Memory Read Timing



Symbol	Description	Min	Typ.	Max	Units
TcR	READ CYCLE TIME	300	-	-	ns
Ta(A)	ADDRESS ACCESS TIME	-	-	120	ns
Ta(CE)	CARD ENABLE ACCESS TIME	-	-	100	ns
Ta(OE)	OUTPUT ENABLE ACCESS TIME	-	-	100	ns
Tdis(OE)	OUTPUT DISABLE TIME FROM OE#	0.5	-	-	ns
Ten(OE)	OUTPUT ENABLE TIME FROM OE#	-	-	100	ns
Tv(A)	DATA VALID FROM ADDRESS CHANGE	0	-	-	ns
Tsu(A)	ADDRESS SETUP TIME	30	-	-	ns
Th(A)	ADDRESS HOLD TIME	20	-	-	ns
Tsu(CE)	CARD ENABLE SETUP TIME	0	-	-	ns
Th(CE)	CARD ENABLE HOLD TIME	20	-	-	ns
Tv(WT-OE)	WAIT# VALID FROM OE#	-	-	10	ns
Tw(WT)	WAIT# PULSE WIDTH	-	-	200	ns
Tv(WT)	DATA SETUP FOR WAIT# RELEASED	100	-	-	ns



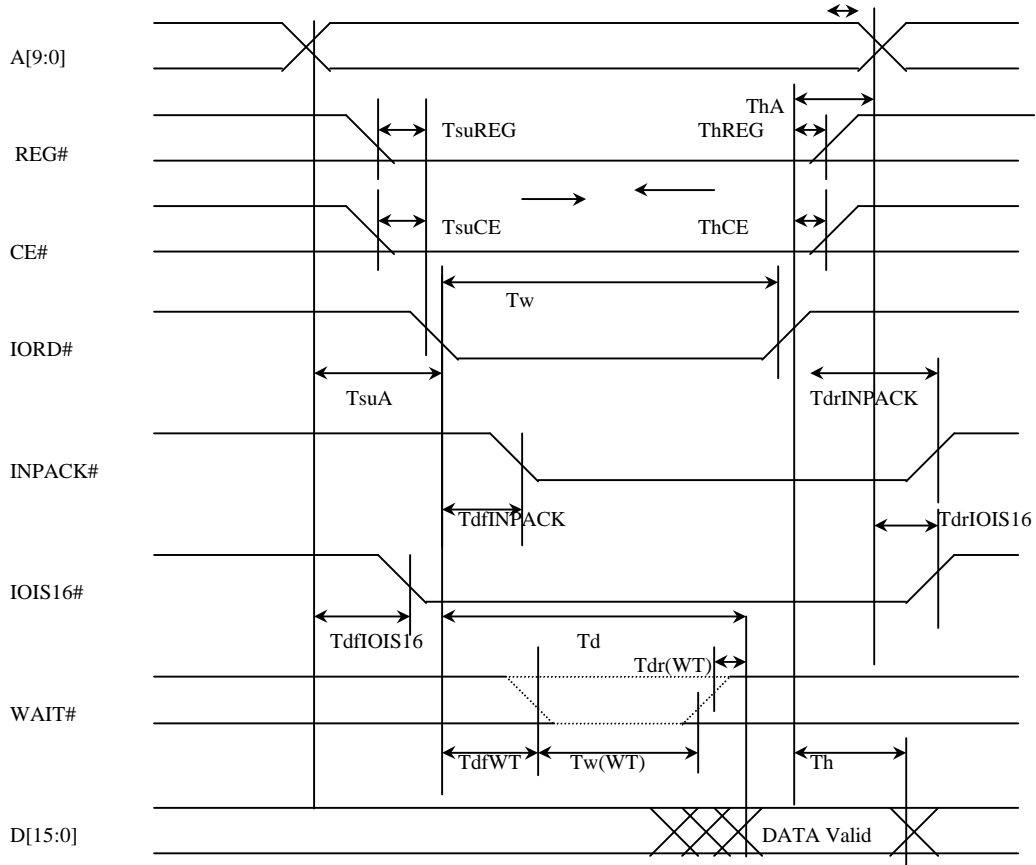
6.4.4 Attribute Memory Write Timing



Symbol	Description	Min	Typ.	Max	Units
TcW	WRITE CYCLE TIME	250	-	-	ns
Tw(WE)	WRITE PULSE WIDTH	150	-	-	ns
Tsu(A)	ADDRESS SETUP TIME	30	-	-	ns
Tsu(A-WEH)	ADDRESS SETUP TIME FOR WE#	180	-	-	ns
Tsu(CE-WEH)	CARD ENABLE SETUP TIME FOR WE#	180	-	-	ns
Tsu(D-WEH)	DATA SETUP TIME FOR WE#	80	-	-	ns
Th(D)	DATA HOLD TIME	30	-	-	ns
Trec(WE)	WRITE RECOVER TIME	30	-	-	ns
Tdis(WE)	OUTPUT DISABLE TIME FROM WE#	-	-	5	ns
Tdis(OE)	OUTPUT DISABLE TIME FROM OE#	-	-	5	ns
Ten(WE)	OUTPUT ENABLE TIME FROM WE#	5	-	-	ns
Ten(OE)	OUTPUT ENABLE TIME FROM OE#	5	-	-	ns
Tsu(OE-WE)	OUTPUT ENABLE SETUP TIME FROM OE#	10	-	-	ns
Th(OE-WE)	OUTPUT ENABLE HOLD TIME FROM OE#	10	-	-	ns
Tsu(CE)	CARD ENABLE SETUP TIME	0	-	-	ns
Th(CE)	CARD ENABLE HOLD TIME	20	-	-	ns
Tv(WT-WE)	WAIT# VALID FROM WE#	-	-	15	ns
Tw(WT)	WAIT# PULSE WIDTH	-	-	200	ns
Tv(WT)	WE# HIGH FROM WAIT# RELEASED	0	-	-	ns



6.4.5 I/O Read Timing

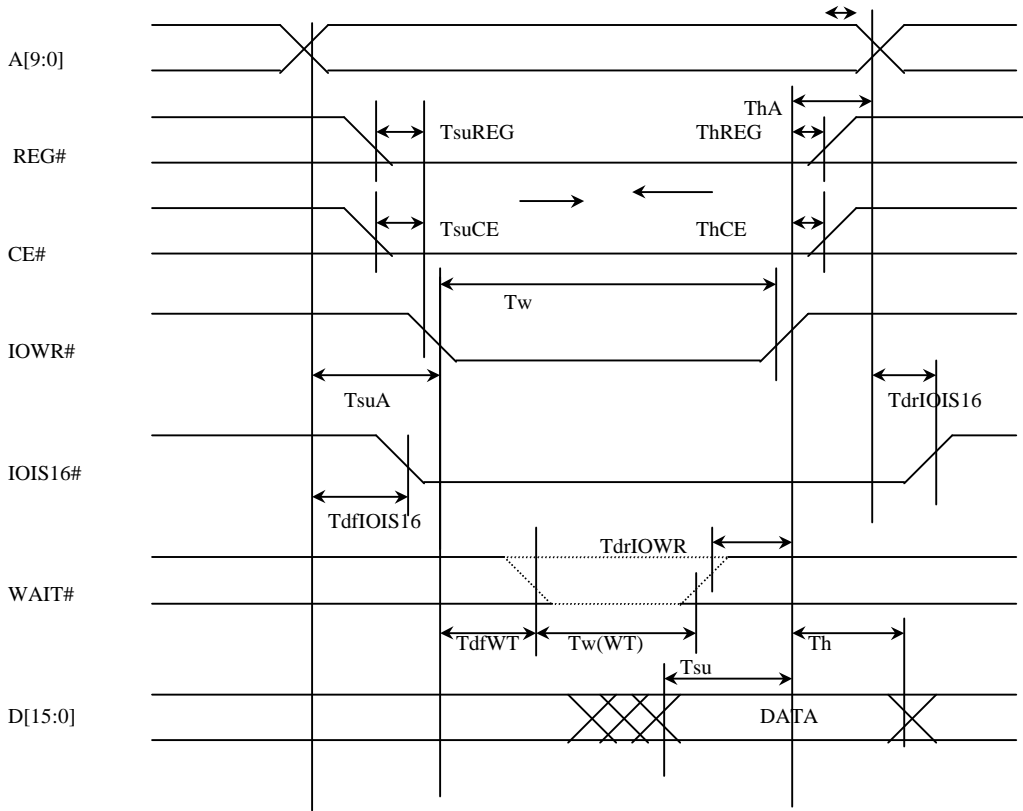


Symbol	Description	Min	Typ.	Max	Units
Td	DATA DELAY AFTER IORD#	-	-	50	ns
Th	DATA HOLD FOLLOWING IORD#	0.5	-	-	ns
Tw	IORD# WIDTH TIME	165	-	-	ns
TsuA	ADDRESS SETUP BEFORE IORD#	70	-	-	ns
ThA	ADDRESS HOLD BEFORE IORD#	20	-	-	ns
TsuCE	CE# SETUP BEFORE IORD#	5	-	-	ns
ThCE	CE# HOLD BEFORE IORD#	20	-	-	ns
TsuREG	REG# SETUP BEFORE IORD#	5	-	-	ns
ThREG	REG# HOLD BEFORE IORD#	0	-	-	ns
TdfINPACK	INPACK# DELAY FALLING FROM IORD#	0	-	10	ns
TdrINPACK	INPACK# DELAY RISING FROM IORD#	-	-	10	ns
TdfIOIS16	IOIS16# DELAY FALLING FROM ADDRESS*	-	-	10	ns
TdrIOIS16	IOIS16# DELAY RISING FROM ADDRESS*	-	-	0	ns
TdfWT	WAIT# DELAY FALLING FROM IORD#	-	-	5	ns
Tdr(WT)	DATA DELAY FROM WAIT# RISING	-	-	0	us
Tw(WT)	WAIT# WIDTH TIME	-	-	100	ns

\* Note : The address includes REG# and CE1# signal



6.4.6 I/O Write Timing



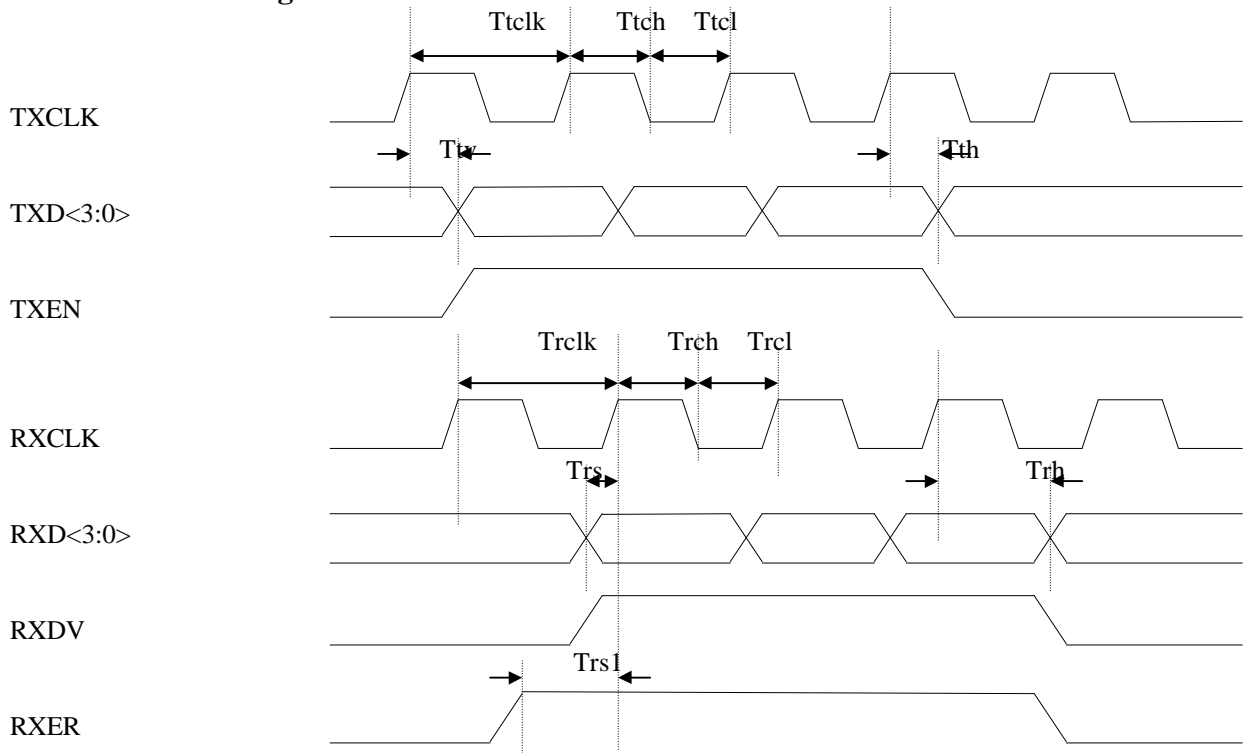
Symbol	Description	Min	Typ.	Max	Units
$T_{su}$	DATA SETUP BEFORE IOWR#	60	-	-	ns
$T_h$	DATA HOLD FOLLOWING IOWR#	30	-	-	ns
$T_w$	IOWR# WIDTH TIME	165	-	-	ns
$T_{sA}$	ADDRESS SETUP BEFORE IOWR#	70	-	-	ns
$T_{hA}$	ADDRESS HOLD BEFORE IOWR#	20	-	-	ns
$T_{sCE}$	CE# SETUP BEFORE IOWR#	5	-	-	ns
$T_{hCE}$	CE# HOLD BEFORE IOWR#	20	-	-	ns
$T_{sREG}$	REG# SETUP BEFORE IOWR#	5	-	-	ns
$T_{hREG}$	REG# HOLD BEFORE IOWR#	0	-	-	ns
$T_{dfIOIS16}$	IOIS16# DELAY FALLING FROM ADDRESS*	-	-	10	ns
$T_{drIOIS16}$	IOIS16# DELAY RISING FROM ADDRESS*	-	-	0	ns
$T_{dfWT}$	WAIT# DELAY FALLING FROM IOWR#	-	-	**	ns
$T_w(WT)$	WAIT# WIDTH TIME	-	-	**	ns
$T_{drIOWR}$	IOWR# HIGH FROM WAIT# HIGH	0	-	-	us

\*Note : The address includes REG# and CE1# signal

\*\* Note : There is no wait state while I/O Write operation



6.4.7 MII Timing

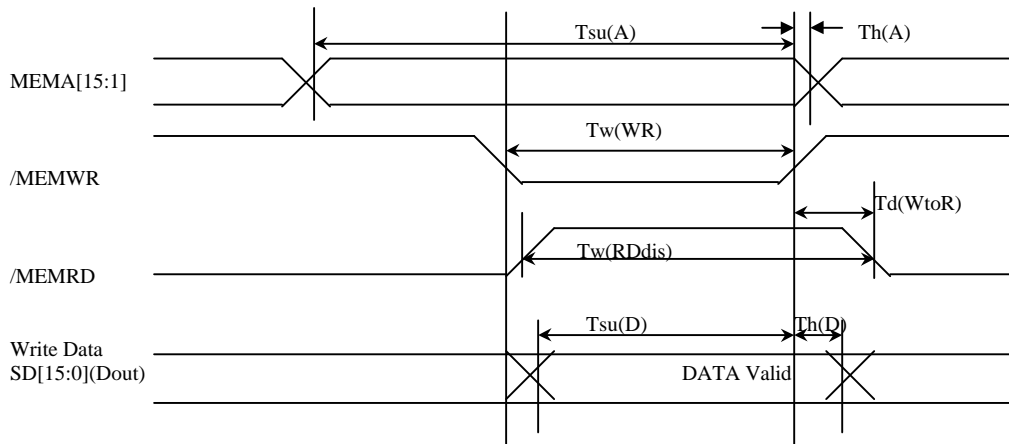


Symbol	Description	Min	Typ.	Max	Units
Ttclk	Cycle time(100Mbps)	-	40	-	ns
Ttclk	Cycle time(10Mbps)	-	400	-	ns
Ttch	high time(100Mbps)	14	-	26	ns
Ttch	high time(10Mbps)	140	-	260	ns
Trch	low time(100Mbps)	14	-	26	ns
Trch	low time(10Mbps)	140	-	260	ns
Ttv	Clock to data valid	-	-	20	ns
Tth	Data output hold time	5	-	-	ns
Trclk	Cycle time(100Mbps)	-	40	-	ns
Trclk	Cycle time(10Mbps)	-	400	-	ns
Trch	high time(100Mbps)	14	-	26	ns
Trch	high time(10Mbps)	140	-	260	ns
Trcl	low time(100Mbps)	14	-	26	ns
Trcl	low time(10Mbps)	140	-	260	ns
Trs	data setup time	6	-	-	ns
Trh	data hold time	10	-	-	ns
Trsl	RXER data setup time	10	-	-	ns



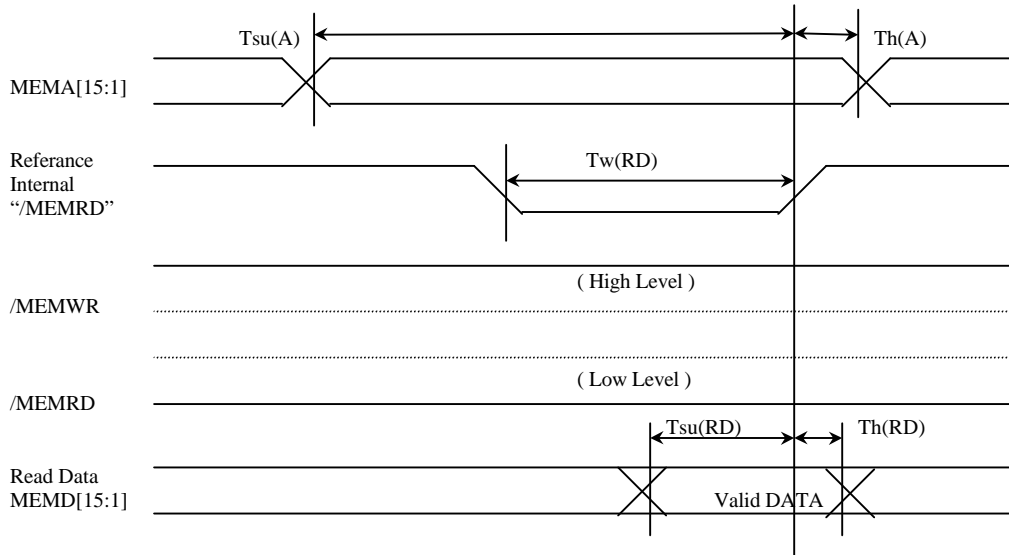
**6.4.8 Asynchronous Memory I/F Access Timing**

**MEMORY WRITE**



Symbol	Description	Min	Typ.	Max	Units
Tsu(A)	ADDRESS SETUP TIME	36	-	-	ns
Th(A)	ADDRESS HOLD TIME	0.3	-	1	ns
Tw(WR)	WRITE PULSE WIDTH		*	-	ns
Tw(RDdis)	READ DISABLE PULSE WIDTH		*	-	ns
Td(WtoR)	WRITE TO READ DEALY	1	-	4.5	ns
Tsu(D)	DATA SETUP TIME	16	-	-	ns
Th(D)	DATA HOLD TIME	0.3	-	2	ns

**MEMORY READ**



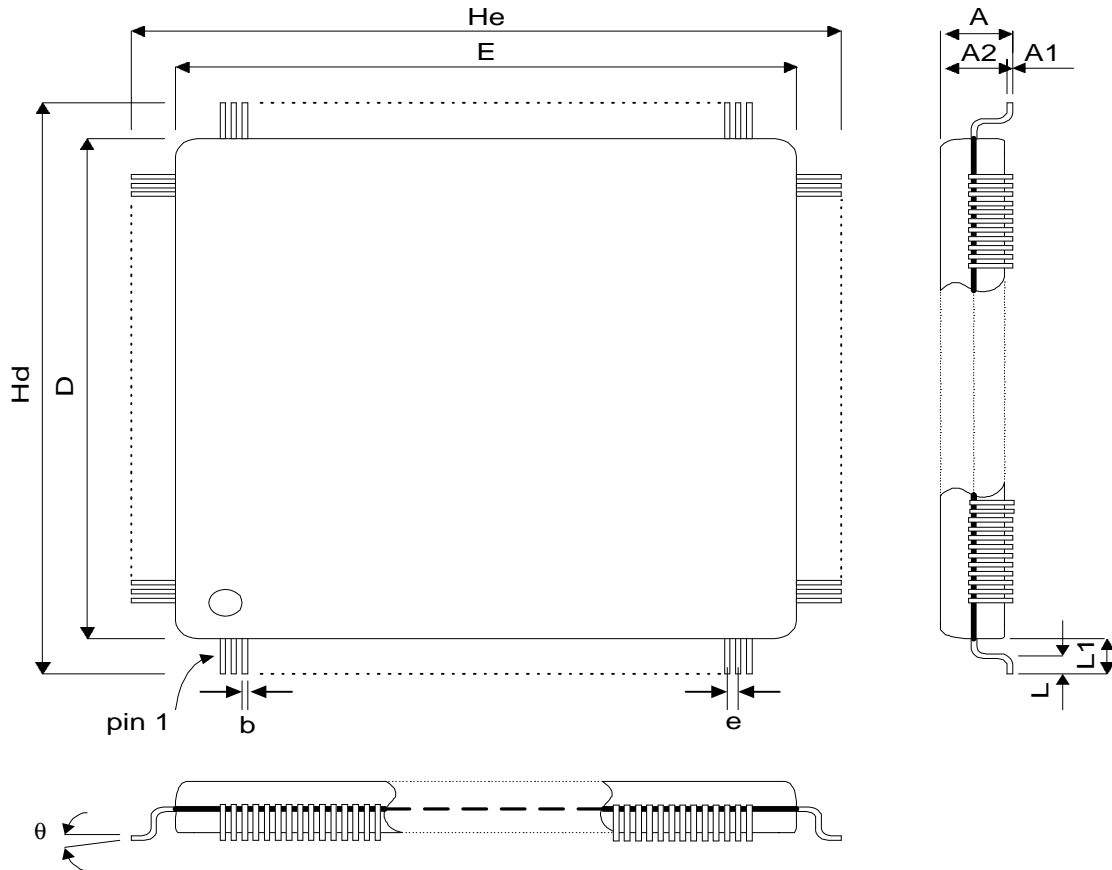
Symbol	Description	Min	Typ.	Max	Units
Tsu(A)	ADDRESS SETUP TIME	30	-	-	ns
Th(A)	ADDRESS HOLD TIME	1.3	-	1	ns
Tw(RD)	READ PULSE WIDTH		*	-	ns
Tsu(D)	DATA SETUP TIME	3	-	-	ns
Th(D)	DATA HOLD TIME	0	-	2	ns

\* NOTE : The pulse width can be seen as LCLK/XTALIN high time. See also 6.4.1 "Thigh" parameter.  
 NOTE : All most any brand asynchronous SRAM access time under 20 ns can fit into the specification.





### 7.0 Package Information

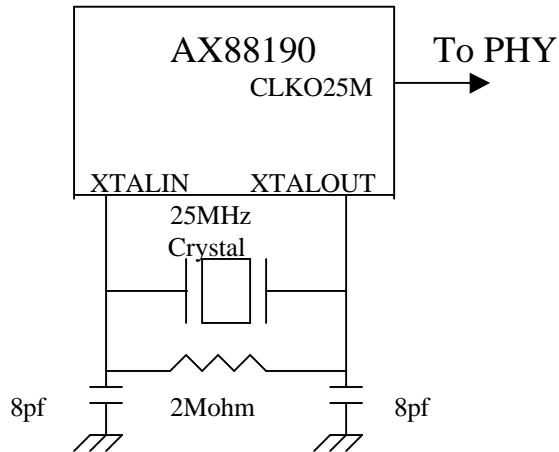


SYMBOL	MILIMETER		
	MIN.	NOM	MAX
A1		0.1	
A2	1.3	1.4	1.5
A			1.7
b	0.155	0.16	0.26
D	13.90	14.00	14.10
E	13.90	14.00	14.10
e		0.40	
Hd	15.60	16.00	16.40
He	15.60	16.00	16.40
L	0.30	0.50	0.70
L1		1.00	
$\theta$	0		10



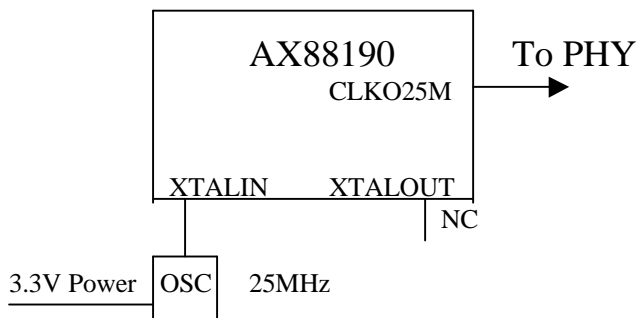
**Appendix A: Application Note 1**

**A.1 Using Crystal**



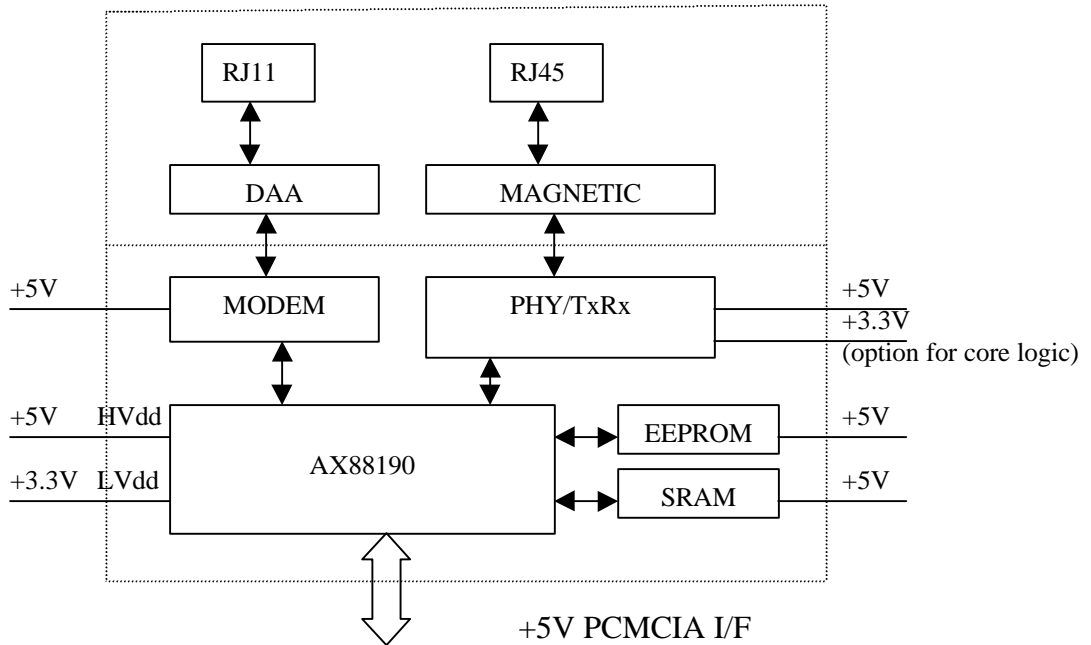
Note : The capacitors (8pf) may be various depend on the specification of crystal. While designing, please refer to the suggest circuit provided by crystal supplier.

**A.2 Using Oscillator**

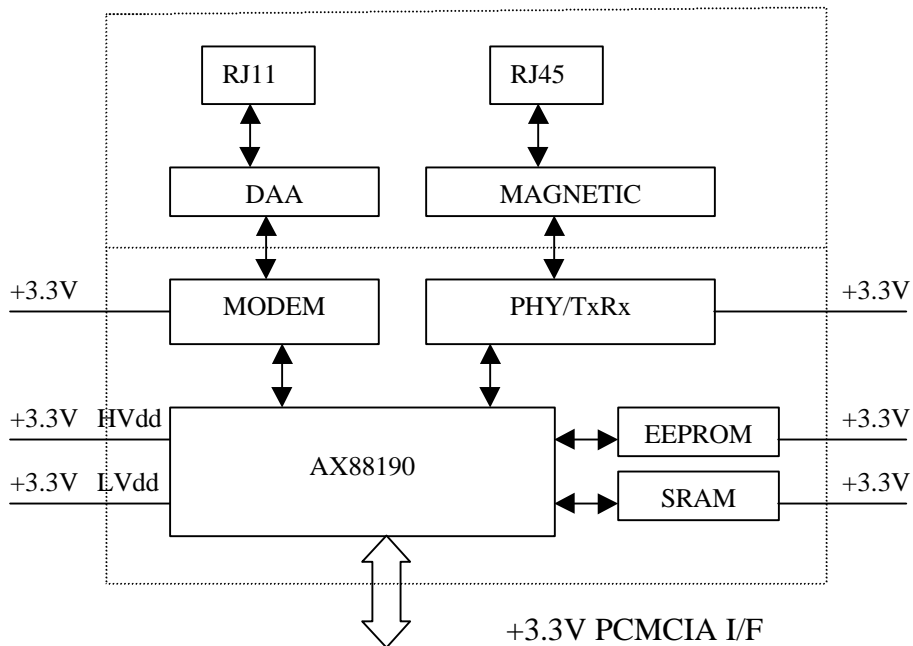




### A.3 Dual power (5V and 3.3V) application



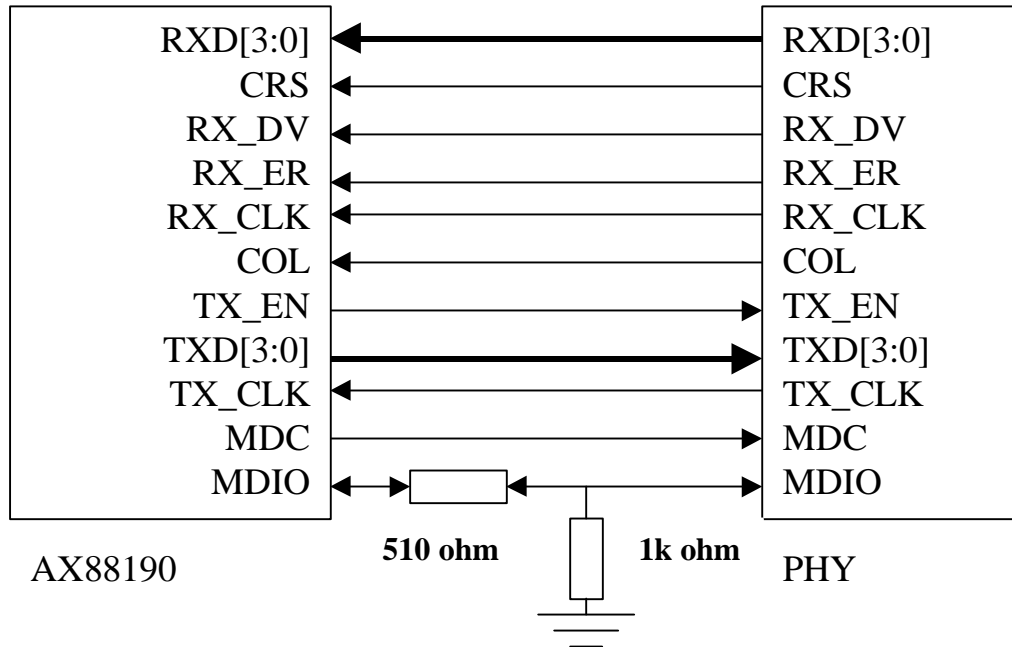
### A.4 Single power (3.3V) application

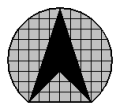




**A.5 Dual power (5V and 3.3V) application with 3.3V PHY**

The 510 and 1K Ohm resistors are just for voltage adjustment





## **Appendix B: Application Note 2**

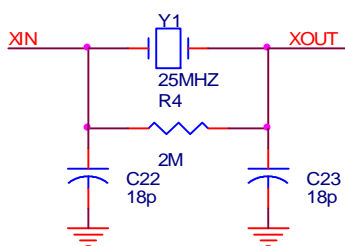
### **B.1 Advance Application for Using Crystal**

Date: May 21, 1999

**Condition: In short cable, AX88190 +AH 101 Phyceiver can't link to BCM 5308 Switch.**

- Conclusion:**
- 1. After measuring and verifying, we found it's relevant to clock source.**
  - 2. We ascertain the problem is caused by matching issues between crystal and capacitor.**

**Solution: Change the value of capacitors beside crystal as below:**



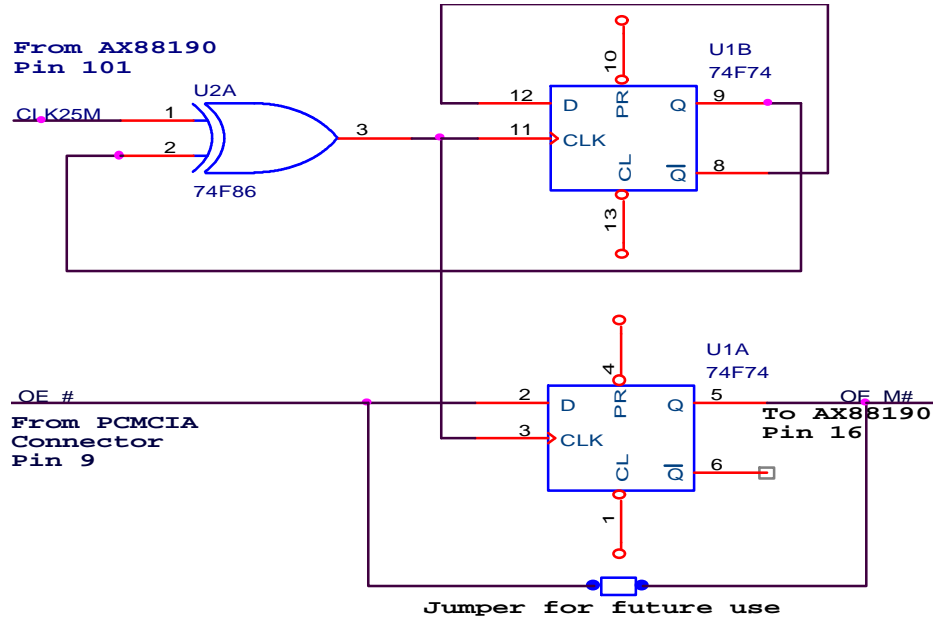
**Note: The capacitors may be various depend on the specification of crystal. While designing, please refer to the circuit provided by crystal supplier.**



**Errata of AX88190 V1**

**1. OE# synchronous problem result in PC hang**

**Solution :** Using hardware CKT to pre-sync OE# signal as below.



**2. Interrupt Status can't always clean up**

**Solution :** Using software to do clean and check iteration until clean up.

**Ex :** IOBASE=300 ; Clear Tx/Rx interrupt.

```

Mov dx,307h
ClrISR :
Mov al,3          ; clear Tx/Rx interrupt
Out dx,al        ; output to clear ISR
In al,dx         ; read ISR
Test al,3        ; Check ISR cleared or not
Jz ClrISRDone   ; Clear ok
Mov al,0         ; if not, clear again
Out dx,al
Jump ClrISR
ClrISRDone:     ... ; clear successful

```

**3. CE1# Bus decoder problem**

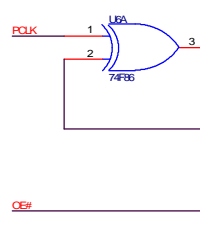
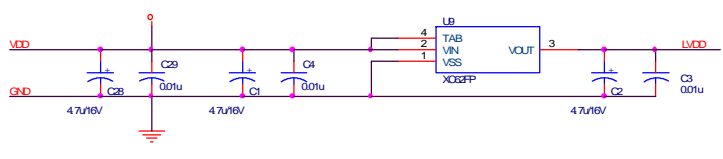
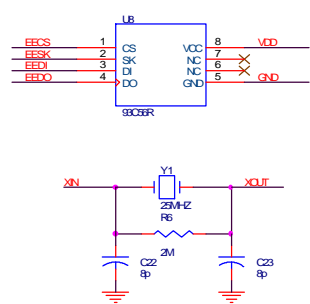
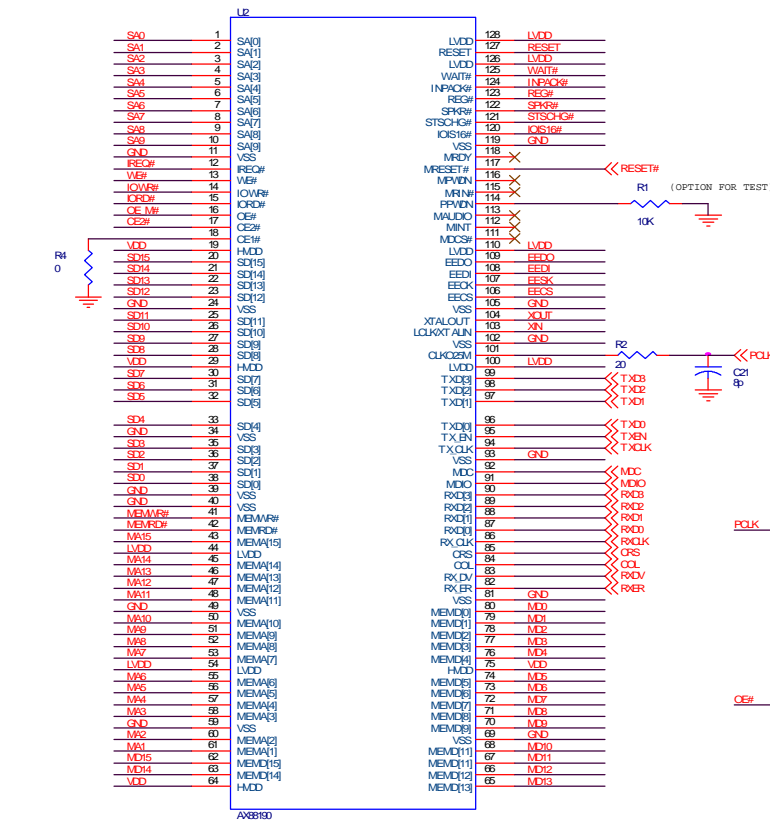
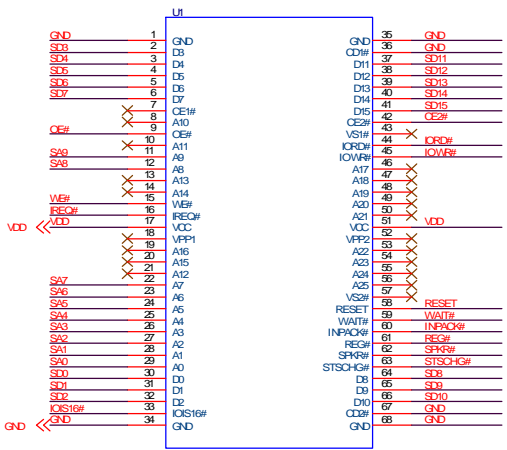
**Solution :** Dis-connect AX88190 CE1# (pin 18) from PCMCIA connector CE1# (pin 7). And connect AX88190 CE1# (pin 18) to logic "0" always enable this signal.

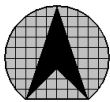


# ASIX

## AX88190 PCMCIA Fast Ethernet MAC Controller

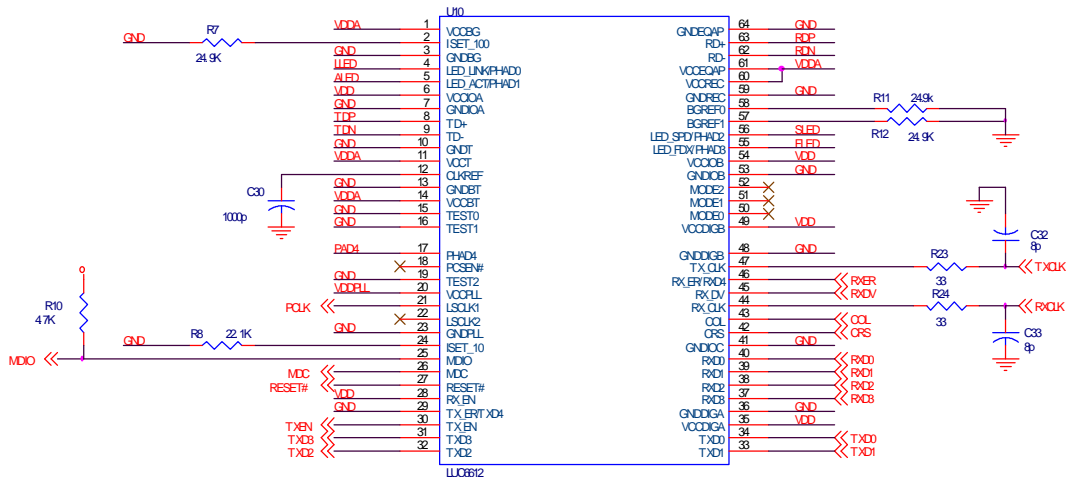
(AX88190 APPLICATION USED LDC6612)



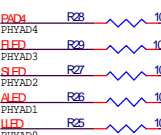


AX88190

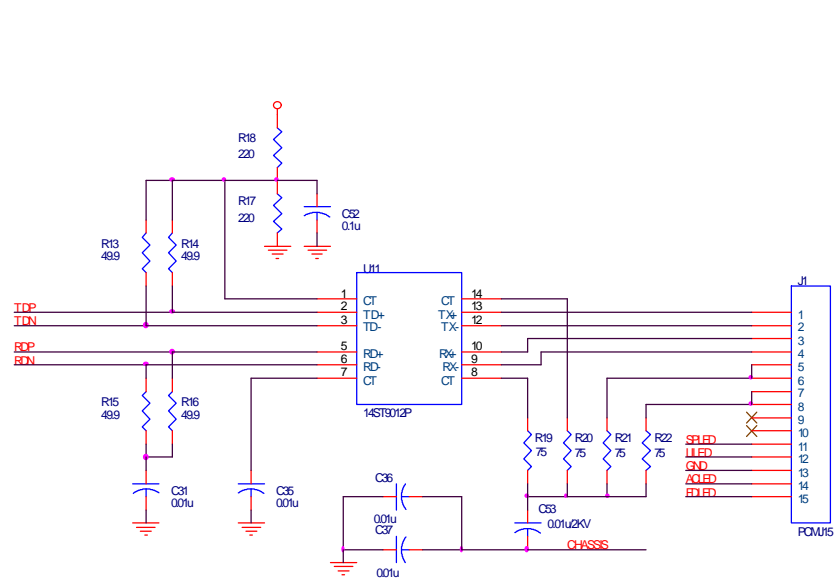
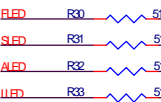
# PCMCIA Fast Ethernet MAC Controller



Set PHY ADDRESS TO 10000



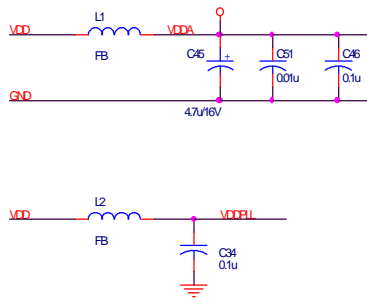
To PCMT15 Connect



BY PASS CAP WITH DIGITAL POWER SUPPLY



BY PASS CAP WITH ANALOG POWER SUPPLY

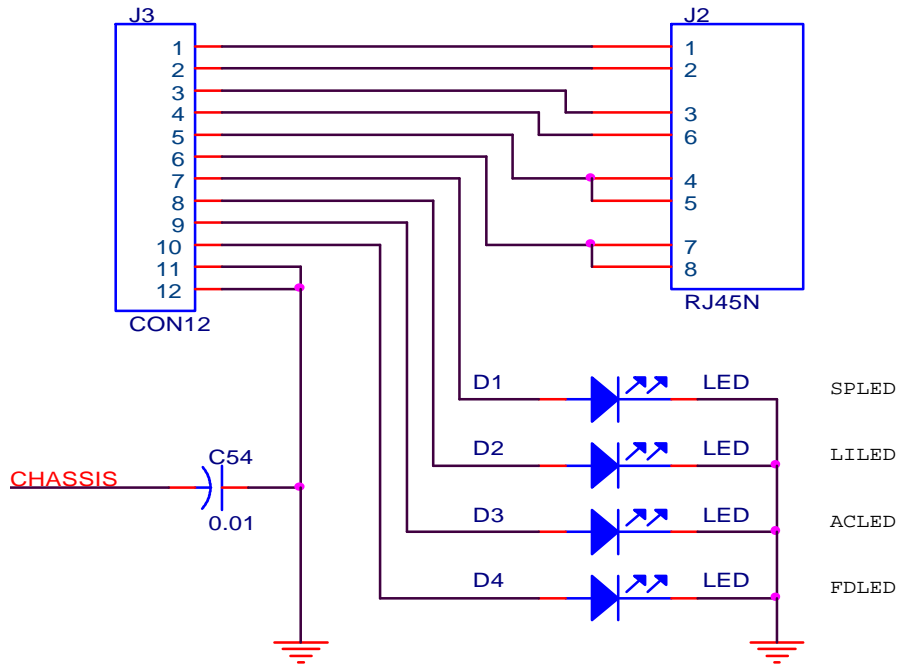






**AX88190**

# PCMCIA Fast Ethernet MAC Controller



ASIX ELECTRONICS CORPORATION	
Title RJ45 & LED	
Size A	Document Number 190LED.SCH
Date: Tuesday, December 15, 1998	