

Preliminary Data Sheet Supplement

Subject:	New Package for VPX 3225D, VPX 3224D
Data Sheet Concerned:	VPX 3225D, VPX 3224D 6251-432-2PD, Edition Nov. 9, 1998
Supplement:	No. 6 / 6251-432-6PDS
Edition:	April 8, 1999

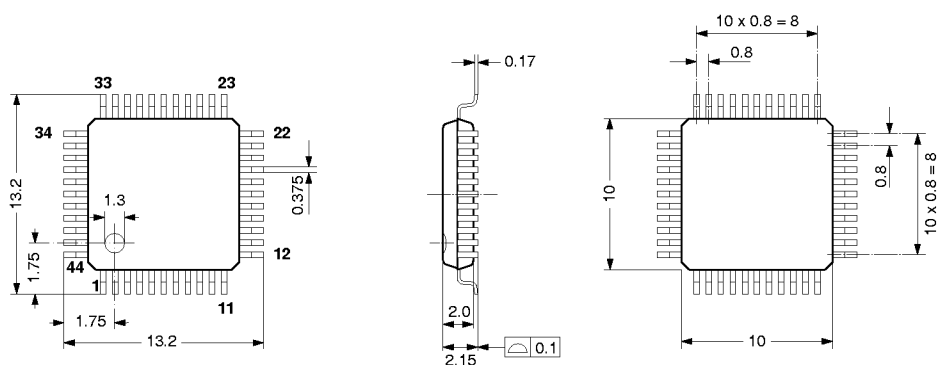
New Package for the VPX 3225D-C3, VPX 3224D-C3

1. The VPX 3225D-C3, VPX 3224D-C3 is also available in the PMQFP44 package.
2. The pinning of the PMQFP44 package has been changed, i.e. mirrored vertically.
3. Production of the PLCC44 package will continue.

Attachment: Package Information VPX 3225D, VPX 3224D

1. Specifications

1.1. Outline Dimensions



D0024/2E

Fig. 1-1:
44-Pin Plastic Metric Quad Flat Pack
(PMQFP44)
Weight approx. 0.4 g
Dimensions in mm

1.2. Pin Connections and Short Descriptions

NC = not connected; leave vacant
LV = if not used, leave vacant
X = obligatory

Pin No.	Pin Name	Pin Type	Connection (if not used)	Short Description
1	VIN1	AIN	NC	Analog Video 1 Input
2	AVSS	SUPPLY	X	Ground, Analog Circuitry
3	CIN	AIN	NC	Analog Chroma Input
4	AVDD	SUPPLY	X	Supply Voltage, Analog Circuitry
5	XTAL1	OSC IN	X	Analog Crystal Input
6	XTAL2	OSC OUT	X	Analog Crystal Output
7	VDD	SUPPLY	X	Supply Voltage, Digital Circuitry
8	VSS	SUPPLY	X	Ground, Digital Circuitry
9	RESQ	IN	X	Reset Input
10	SCL	IN/OUT	NC	I ² C Bus Clock
11	SDA	IN/OUT	NC	I ² C Bus Data
12	B0	OUT	NC	Port B - Video Data Output
13	B1	OUT	NC	Port B - Video Data Output
14	B2	OUT	NC	Port B - Video Data Output

Pin No.	Pin Name	Pin Type	Connection (If not used)	Short Description
15	B3	OUT	NC	Port B - Video Data Output
16	B4	OUT	NC	Port B - Video Data Output
17	B5	OUT	NC	Port B - Video Data Output
18	B6	OUT	NC	Port B - Video Data Output
19	B7	OUT	NC	Port B - Video Data Output
20	VACT	OUT	NC	Active Video Qualifier Output
21	LLC	OUT	NC	PIXCLK * 2 = 27 MHz Output
22	OEQ	IN	VSS	Output Ports Enable Input
23	A0	OUT	NC	Port A - Video Data Output
24	A1	OUT	NC	Port A - Video Data Output
25	A2	OUT	NC	Port A - Video Data Output
26	A3	OUT	NC	Port A - Video Data Output
27	PVSS	SUPPLY	X	Ground, Pad Circuits
28	PIXCLK	OUT	NC	Pixel Clock Output
29	PVDD	SUPPLY	X	Supply Voltage Pad Circuits

1.3. Pin Configuration

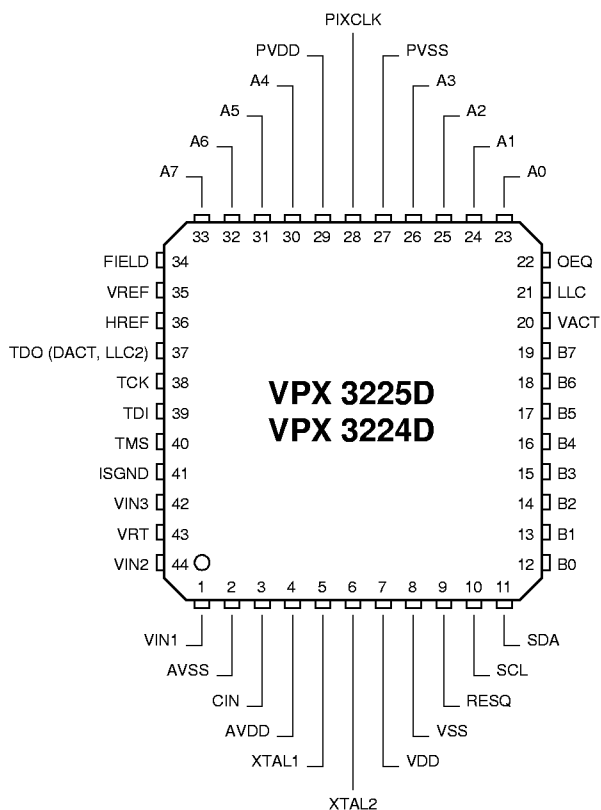


Fig. 1–2: 44-pin PMQFP package

1.4. Electrical Characteristics

1.4.1. Absolute Maximum Ratings

Symbol	Parameter	Pin Name	Min.	Max.	Unit
T_A	Ambient Temperature		0	55	°C
T_S	Storage Temperature		-40	125	°C
T_J	Junction Temperature		0	125	°C

Stresses beyond those listed in the “Absolute Maximum Ratings” may cause permanent damage to the device. This is a stress rating only. Functional operation of the device at these or any other conditions beyond those indicated in the “Recommended Operating Conditions/Characteristics” of this specification is not implied. Exposure to absolute maximum ratings conditions for extended periods may affect device reliability.