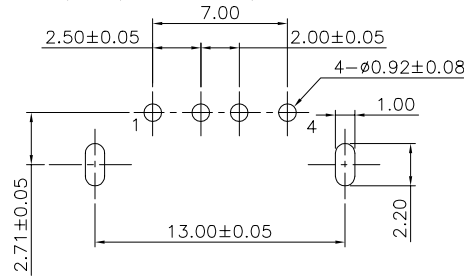


Recommended P.C.B Layout  
(Component Side)

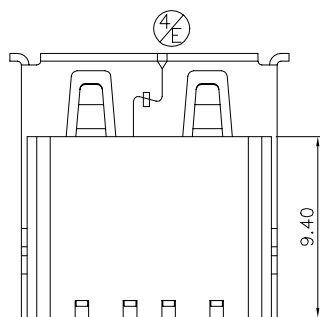
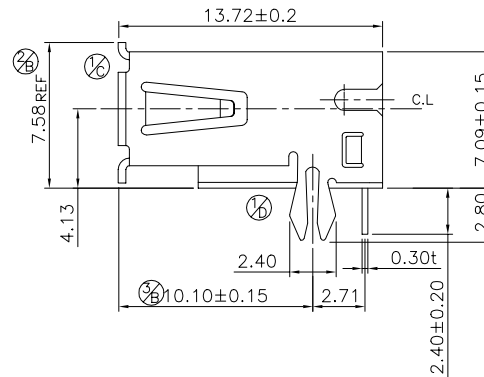
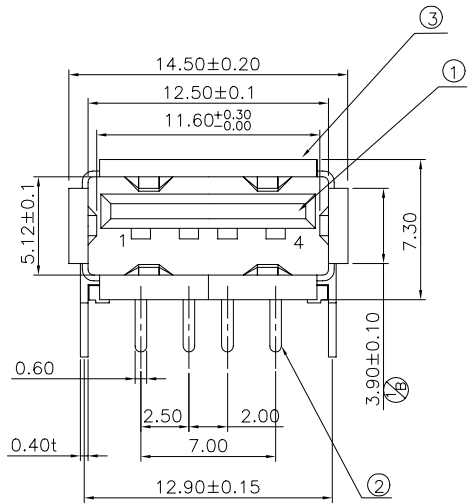


NOTE:

A. 020133MR004 S□ 12ZX(2569AX-04 G□T)

- Selective plating  
'S1(G1T)-05u" select gold in contact/  
Min. 100u" tin in solder area  
'S2(G2T)-Gold flash in contact area/  
Min. 100u" tin in solder area  
'S3(G3T)-10u" select gold in contact/  
Min. 100u" tin in solder area  
'S4(G4T)-15u" select gold in contact/  
Min. 100u" tin in solder area  
\* 'S5(G5T)-30u" select gold in contact/  
Min. 100u" tin in solder area  
\* 'S6(G6T)-50u" select gold in contact/  
Min. 100u" tin in solder area

\* 符合 USB 協會認證



Dimensional Information

| SUYIN P/NO.       | SUYIN P/NO.(OLD) | PACKAGE |
|-------------------|------------------|---------|
| 020133MR004XX12ZU | 2569A-04GXT      | TUBE    |
| 020133MR004XX12ZL | 2569AR-04GXT     | REEL    |

| NO. | DESCRIPTION | MATERIAL   | COLOR | REMARK             |
|-----|-------------|------------|-------|--------------------|
| 4   |             |            |       |                    |
| 3   | Shell       | Copper     | —     | Nickel Plated      |
| 2   | TERMINAL    | Pho.Bronze | —     | Selective Gold/Tin |
| 1   | HOUSING     | NY-6T      | BLACK | UL 94V-0           |

**SUYIN**  
CONNECTOR

CUSTOMER COPY TITLE: USB CONNECTOR R/A DIP TYPE, Series A.

PART NO. 020133MR004SX12ZX

PART NO. (OLD) 2569AX-04GXT

DRAWING NO. 020133MR004SX12ZX

SCALE 4:1 UNIT mm A4

| ECN (DCN) NO.  | REV | DATE     | DESCRIPTION                  | CHANGE | APPRO. | GENERAL TOLERANCE UNLESS OTHERWISE NOTED |
|----------------|-----|----------|------------------------------|--------|--------|--|
|                | E   |          | E1,E2,E3: 增加新料號; E4: 修改鐵殼結合線 |        |        | Angle ±2°<br>30 ~ ±0.50                  |
| EC1T-021209-43 | D   | 02/12/09 | 修改成品鐵殼符合鐵殼圖                  | 宋勃逸    | 宋權哲    | 10 ~ 30 ±0.30                            |
| EC1T-020704-18 | C   | 02/07/04 | 修改鐵殼彈片方向                     | 陳江     | 李儒平    | ~ 10 ±0.15                               |

| DRAW | DESIGN | CHECK | APPRO. |
|------|--------|-------|--------|
| 李儒平  | 李儒平    | 宋權哲   | 宋權哲    |

| PART NO.          | PART NO. (OLD) | DRAWING NO.       | SCALE | UNIT | mm | A4 |
|-------------------|----------------|-------------------|-------|------|----|----|
| 020133MR004SX12ZX | 2569AX-04GXT   | 020133MR004SX12ZX | 4:1   | mm   | A4 |    |